



US0D1124971S

(12) **United States Design Patent** (10) **Patent No.:** **US D1,124,971 S**
Jens Christensen et al. (45) **Date of Patent:** **** May 5, 2026**

(54) **MODEL VEHICLE SKIDPAD**
(71) Applicant: **TRAXXAS, L.P.**, McKinney, TX (US)
(72) Inventors: **Casey Christen Jens Christensen**,
Trenton, TX (US); **Jory Sprowl**, Howe,
TX (US); **Skylar Hagler**, Anna, TX
(US); **Randy Perez**, McKinney, TX
(US); **Otto Karl Allmendinger**,
Rowlett, TX (US); **Adam Cole Ewing**,
McKinney, TX (US); **Kent Poteet**,
Lucas, TX (US)

(73) Assignee: **TRAXXAS, L.P.**, McKinney, TX (US)

(**) Term: **15 Years**

(21) Appl. No.: **29/988,016**

(22) Filed: **Jan. 29, 2025**

(51) **LOC (15) Cl.** **21-01**

(52) **U.S. Cl.**
USPC **D21/561**

(58) **Field of Classification Search**
USPC D12/86, 110, 114, 126, 167, 169, 171,
D12/173, 181, 190, 192, 196, 2, 3, 317,
D12/400, 415, 404; D15/28, 30, 33;
D21/561
CPC B62D 25/14; B60K 37/02; B60K 37/04;
B60R 21/20; B60R 21/205; B60R 21/206
See application file for complete search history.

(56) **References Cited**

U.S. PATENT DOCUMENTS

D335,484 S 5/1993 Moyle et al.
D474,726 S 5/2003 Weber et al.
D487,041 S 2/2004 Schlachter
D556,094 S 11/2007 May
D616,797 S 6/2010 Lamm et al.
D647,445 S 10/2011 Tonello

D740,719 S 10/2015 Schanz et al.
D769,163 S 10/2016 Platto et al.
D828,262 S 9/2018 Yates

(Continued)

FOREIGN PATENT DOCUMENTS

EM 015010398-0001 3/2023
EM 015065983-0015 7/2024
GB 6207306 6/2022
GB 6258129 2/2023

OTHER PUBLICATIONS

Traxxas Skidplate Set, Earliest Available Date Jul. 17, 2009 [Online],
[Site Visited Nov. 3, 2020] Available From Internet, URL: <https://www.amainhobbies.com/traxxas-skidplate-set-tra7037/p139497?gclid=EAlalQobChMIz9HfodHm7AIVy8DICH1FYgZzEAQYAyABEgLQ2fd_BWE> (Year: 2009).

(Continued)

Primary Examiner — Michael A. Pratt

(74) *Attorney, Agent, or Firm* — Daryl R. Wright; Greg Carr

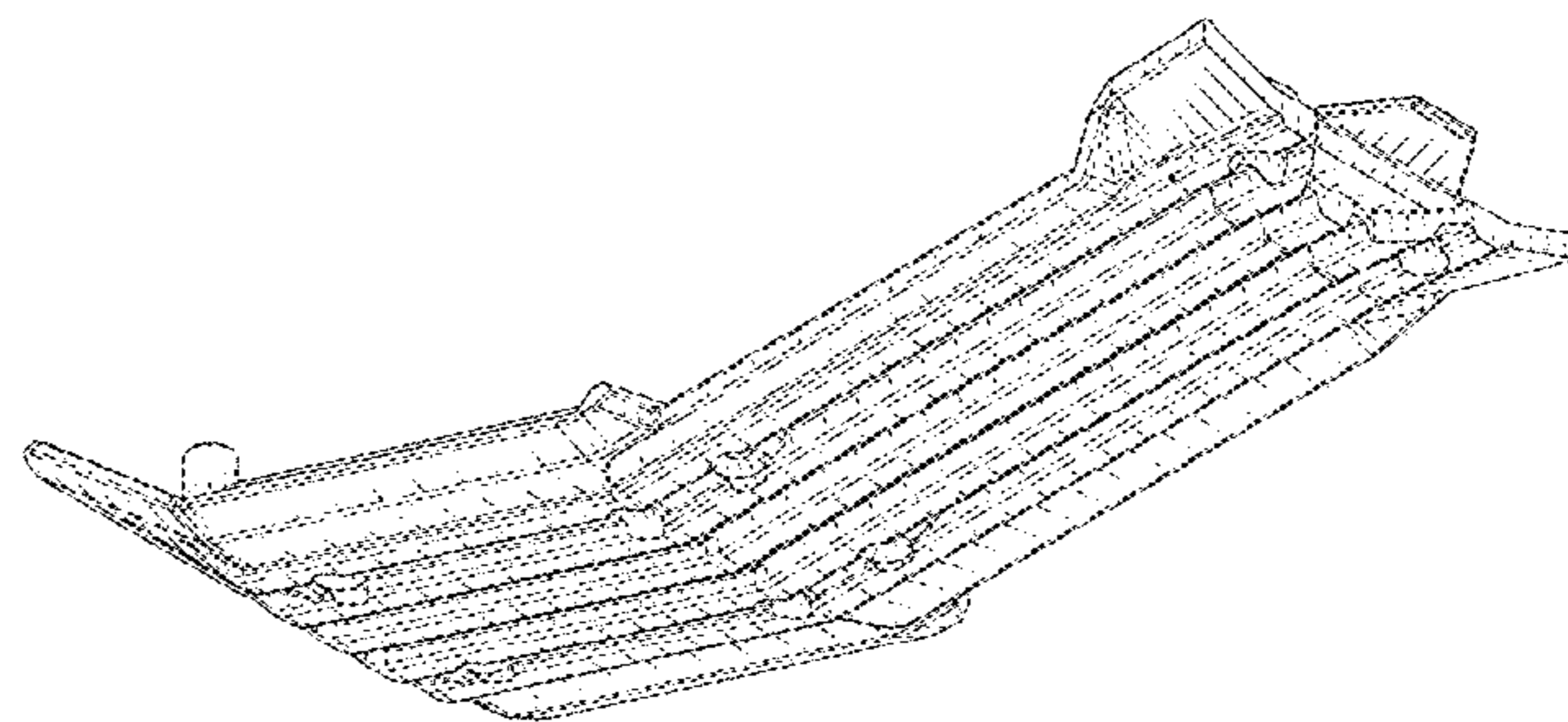
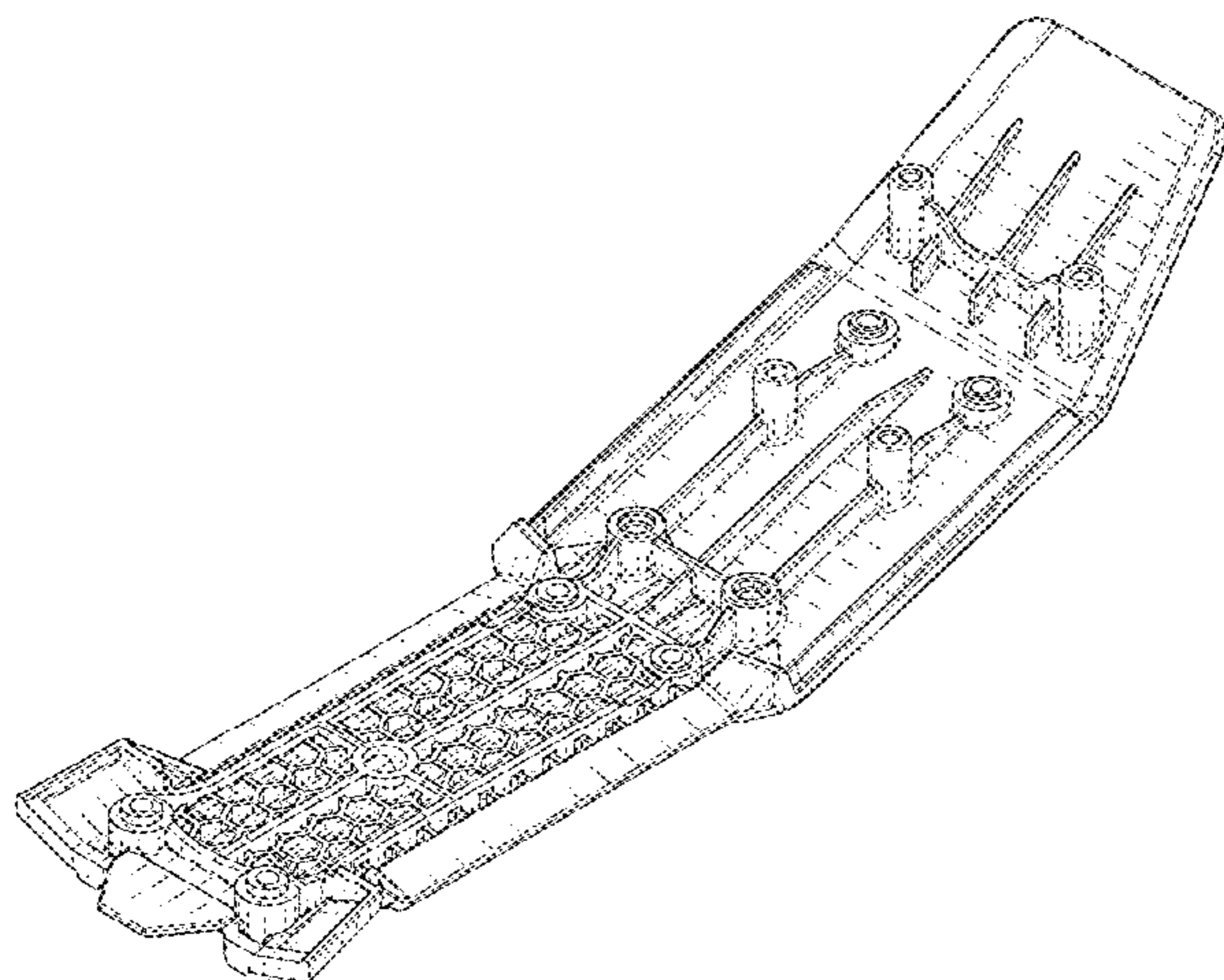
(57) **CLAIM**

The ornamental design for a model vehicle skidpad as shown and described.

DESCRIPTION

FIG. 1 is an upper, left, front perspective view of a model vehicle skidpad showing our new design;
FIG. 2 is an upper, right, rear perspective view thereof;
FIG. 3 is a lower, right, front perspective view thereof;
FIG. 4 is a lower, left, rear perspective view thereof;
FIG. 5 is a front elevation view thereof;
FIG. 6 is a rear elevation view thereof;
FIG. 7 is an upper plan view thereof;
FIG. 8 is a lower plan view thereof;
FIG. 9 is a right-side elevation view thereof; and,
FIG. 10 is a left-side elevation view of a model vehicle skidpad.

1 Claim, 7 Drawing Sheets



(56)

References Cited

U.S. PATENT DOCUMENTS

D842,788 S 3/2019 Wymore
 D852,698 S 7/2019 Grewer
 D857,575 S 8/2019 Harriton et al.
 D857,576 S 8/2019 Harriton et al.
 D858,395 S * 9/2019 Harriton D12/196
 D860,088 S 9/2019 Harriton et al.
 D864,819 S 10/2019 Grossaint
 D867,232 S 11/2019 Izard
 D877,014 S 3/2020 Harriton et al.
 D924,338 S 7/2021 Wood et al.
 D928,679 S 8/2021 Liang
 D950,449 S 5/2022 Kil
 D977,382 S 2/2023 Kim et al.
 D1,008,114 S 12/2023 Arguden et al.
 D1,016,180 S 2/2024 Allmendinger et al.
 D1,037,109 S 7/2024 Harriton et al.
 D1,037,115 S * 7/2024 Harriton D12/196
 D1,037,962 S * 8/2024 Harriton D12/196
 D1,037,964 S 8/2024 Harriton et al.
 D1,040,252 S * 8/2024 Ewing D21/561
 D1,040,253 S * 8/2024 Ewing D21/561
 D1,046,012 S 10/2024 Ewing et al.
 D1,054,506 S 12/2024 Hix et al.
 D1,074,844 S * 5/2025 Hagler D21/561
 D1,115,952 S * 3/2026 Martin D21/562

OTHER PUBLICATIONS

Arb Skid Plates for Toyota Tacoma (2005+), Tin-Eye Date Dec. 7, 2019 [Online], [Site Visited Nov. 3, 2020] Available From Internet,

URL:<<https://aventuron.com/collections/arb/products/arb-skid-plates-for-toyota-tacoma-2005>> (Year: 2019).
 RPM Traxxas Sledge Front Bumper & Skid Plate. 2024. Hobby Time RC. <https://www.hobbytimerc.com/rpm-traxxas-sledge-front-bumper-skid-plate-black-7.html>.
 Traxxas XRT Center Skid Plate, as shown in www.amainhobbies.com, May 16, 2023, Part # TRA7837. (Year: 2023).
 Traxxas X-Maxx Center Skid Plate, as shown in www.amazon.com, Jan. 5, 2016, ASIN B01A6YD5H4. (Year: 2016).
 HPI Racing—Center Skid Plate (Savage XL Flux V2) HP160311, as shown in www.eurorc.com, no date listed, date found Jun. 6, 2024. (Year: 2024).
 Traxxas X-Maxx Skid Plate, Front & Rear, as shown in www.amazon.com, Jan. 5, 2016, ASIN B01A6YD5IS. (Year: 2016).
 Front and Rear Skid Plates / Bumpers, Traxxas Website, No Available Date [Website Visited Oct. 3, 2025] Available on the Internet, URL <https://traxxas.com/10737-front-and-rear-skid-plates-bumpers> (Year: 2025).
 Aluminum Rear Skid Plate Blue for Traxxas 1/10 E REVO VXL 2.0 8637, Amazon Website, Earliest Comment Date: Jun. 21, 2023 [Website Visited Oct. 3, 2025], Available on the Internet URL <https://www.amazon.com/dp/B09JMSZ3SS> (Year: 2023).
 Traxxas 9044—F&R Skid Plates, Amazon Website, No Available Date [Website Visited Oct. 17, 2025] Available on the Internet, URL <https://www.amazon.com/dp/B0DW9HGYT5> (Year: 2025).
 Front and Rear Skid Plates, Traxxas Website, No Available Date [Website Visited Oct. 17, 2025] Available on the Internet, URL <https://traxxas.com/9044-front-and-rear-skid-plates> (Year: 2025).

* cited by examiner

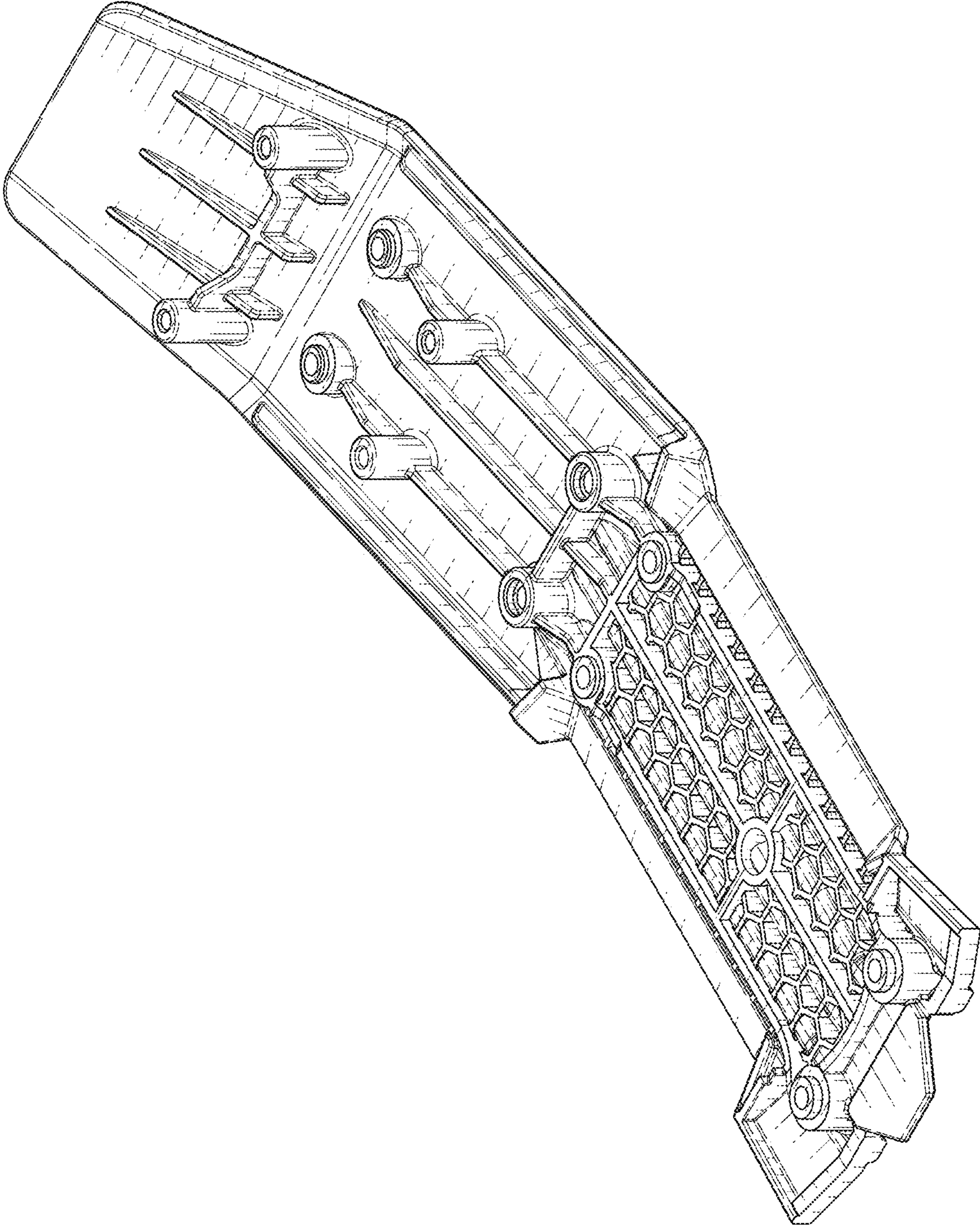


FIG. 1

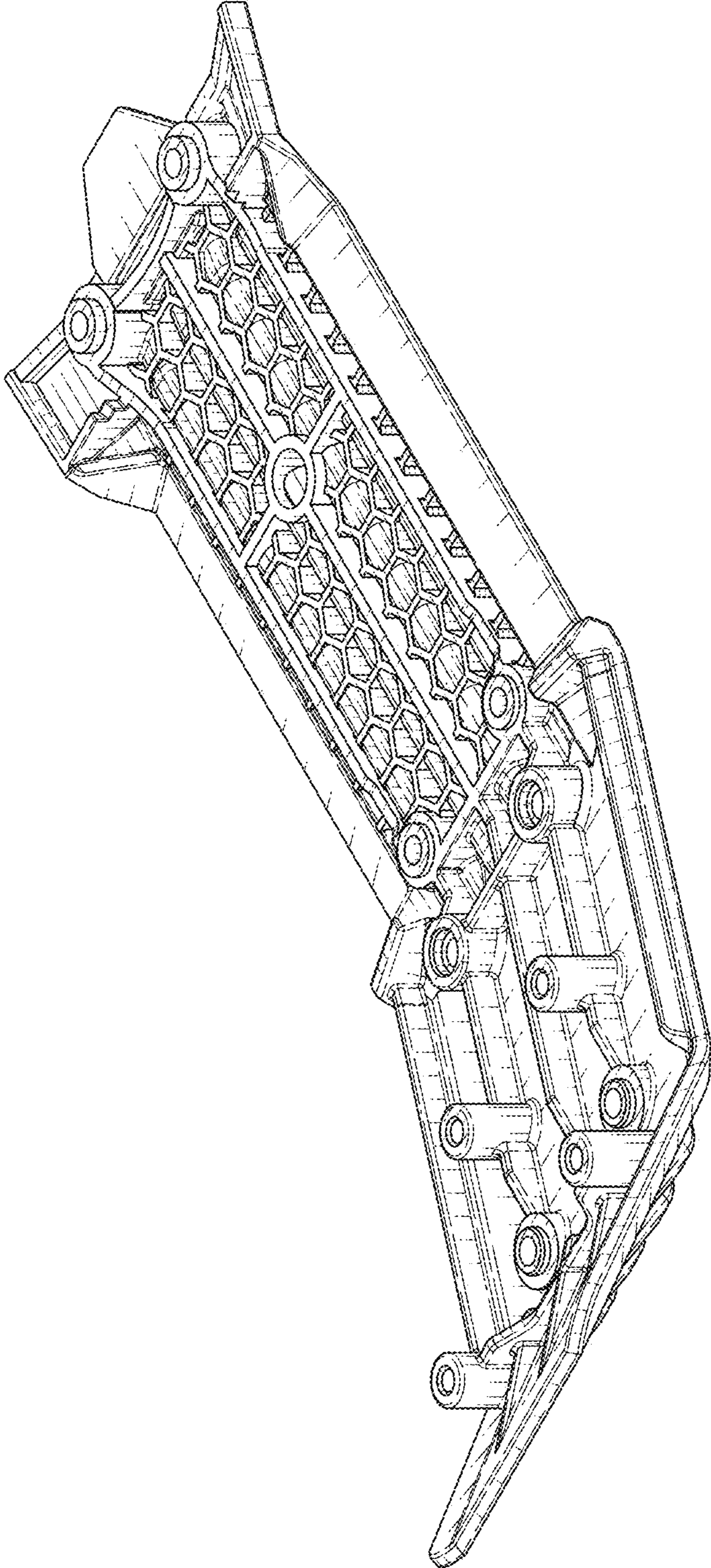


FIG. 2

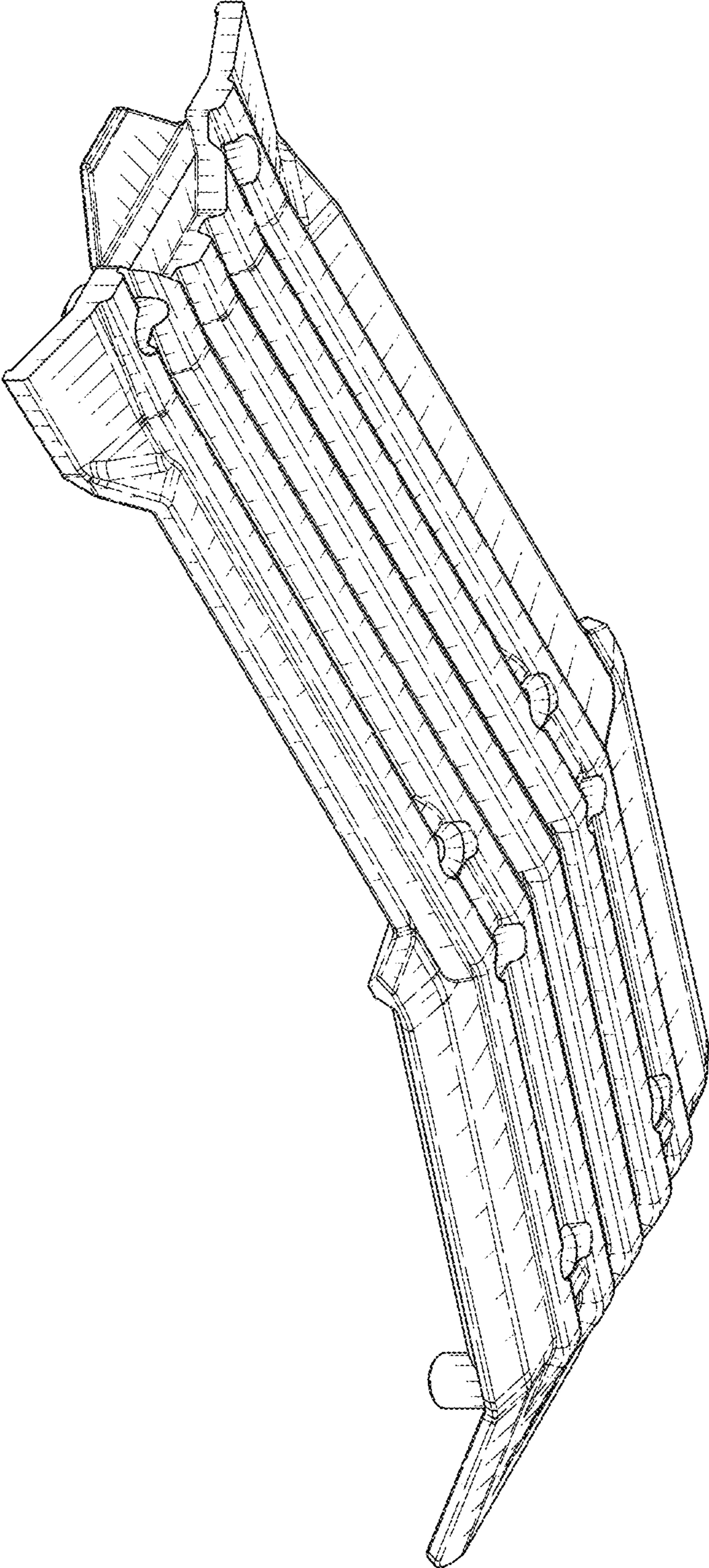


FIG. 3

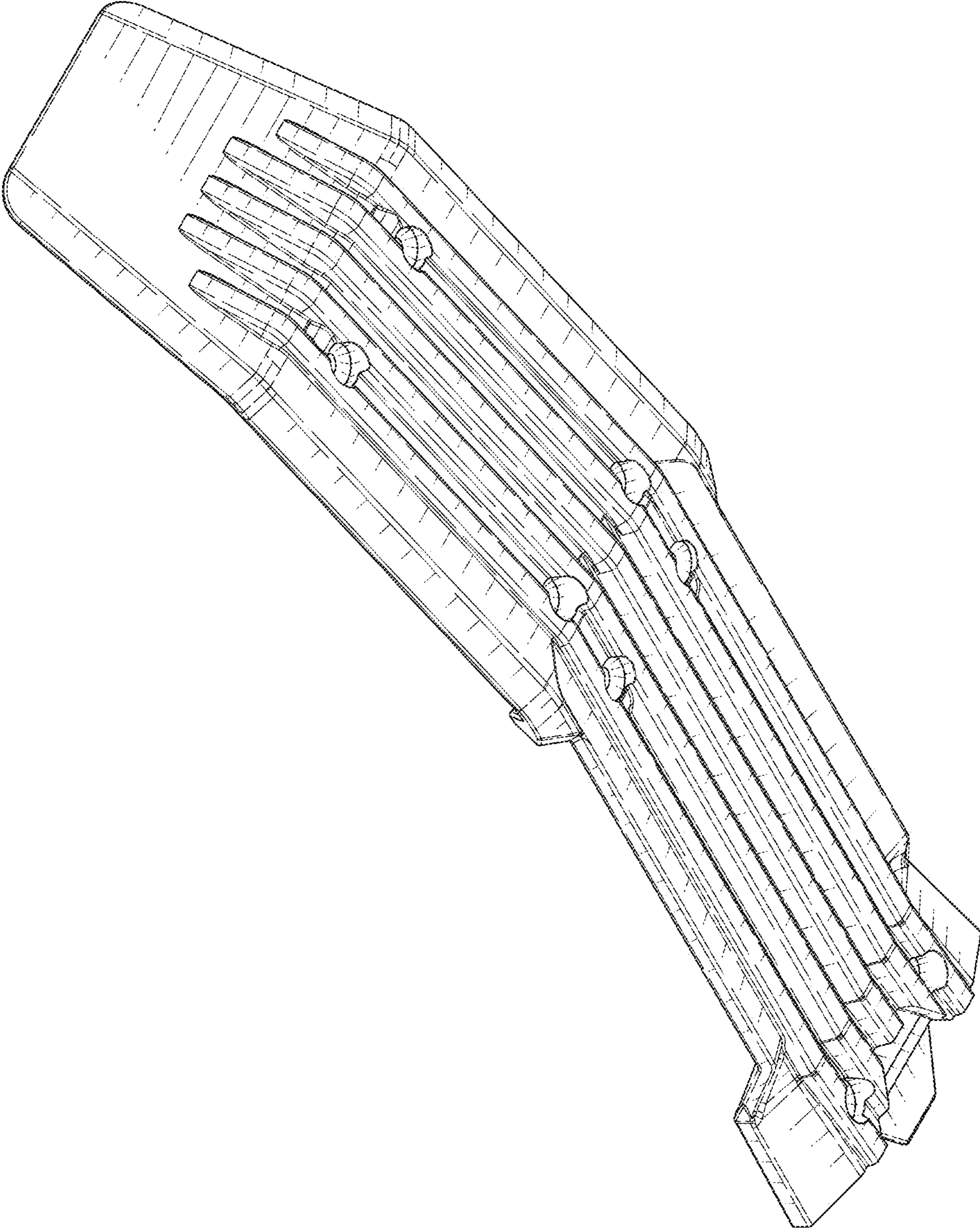


FIG. 4

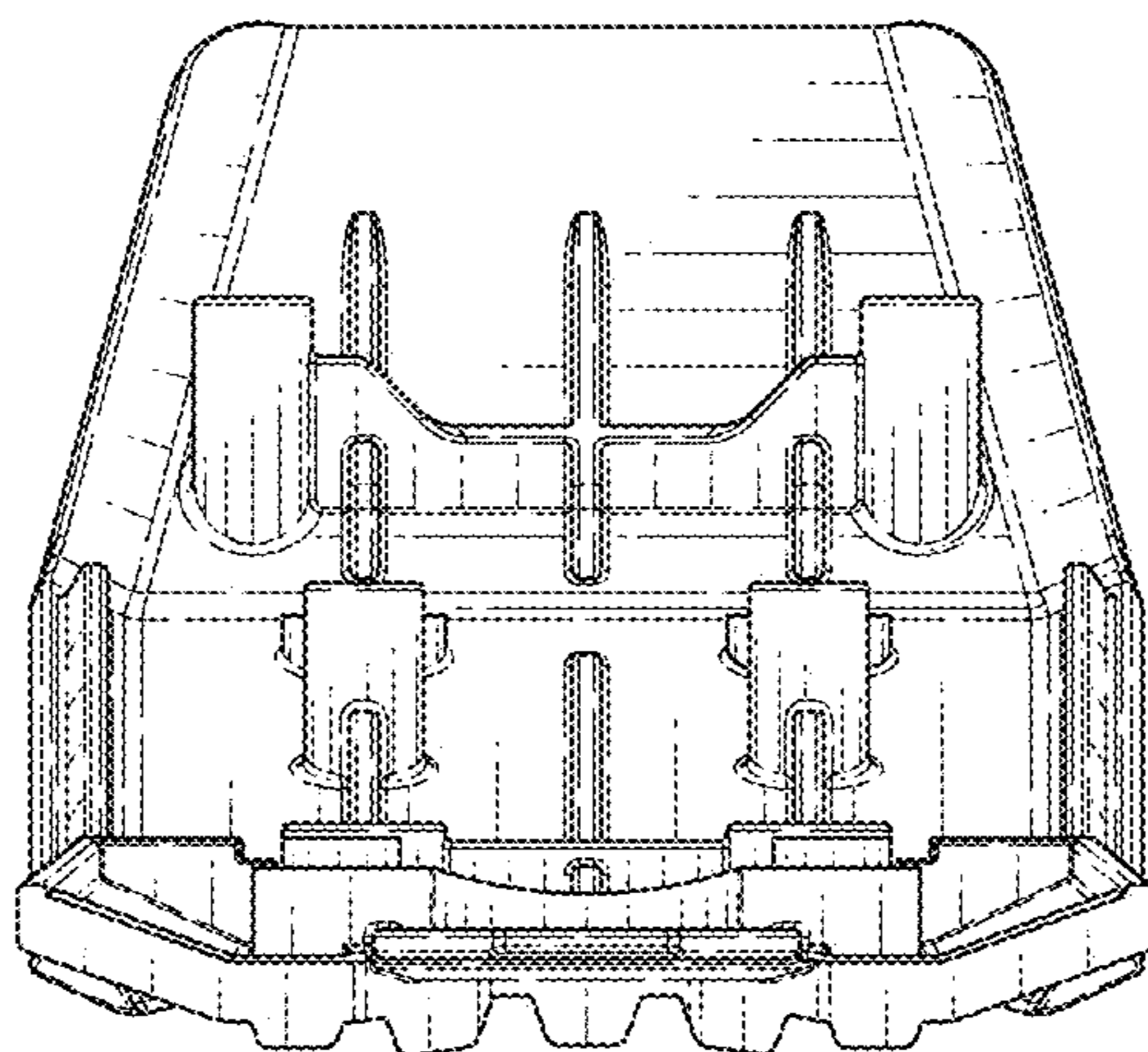


FIG. 5

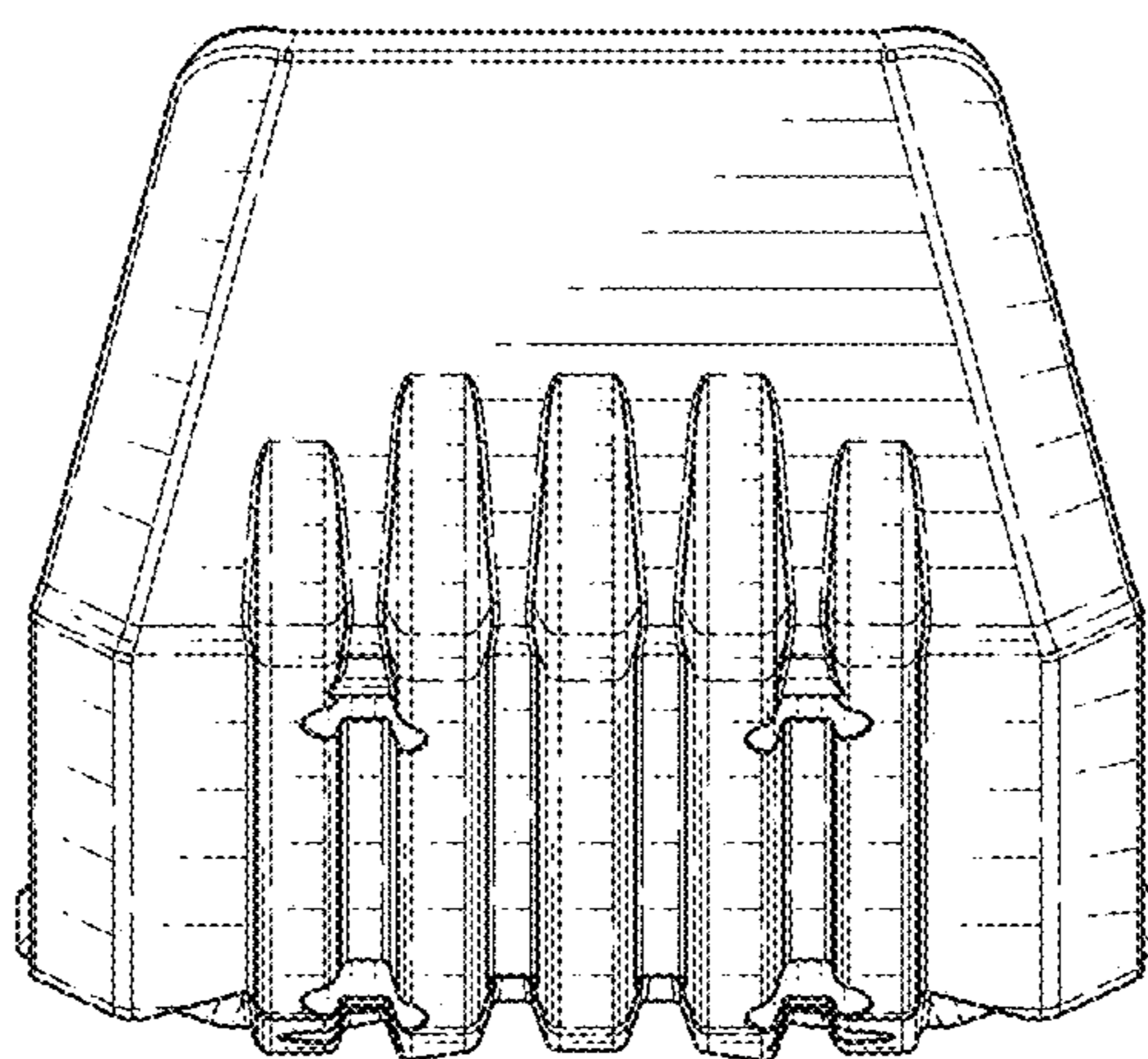


FIG. 6

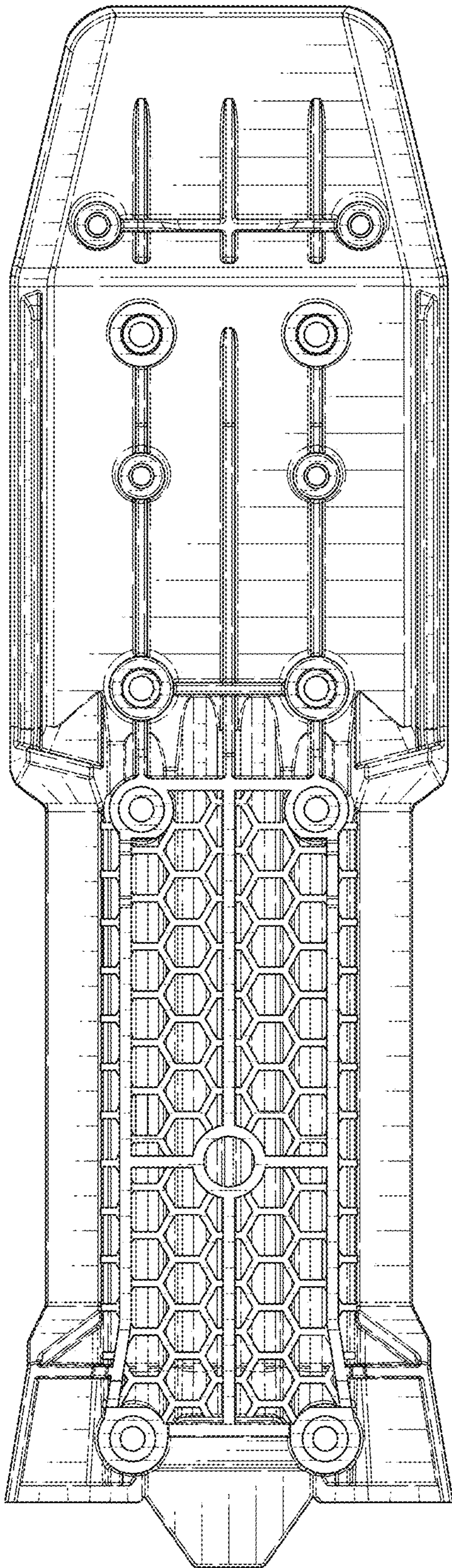


FIG. 7

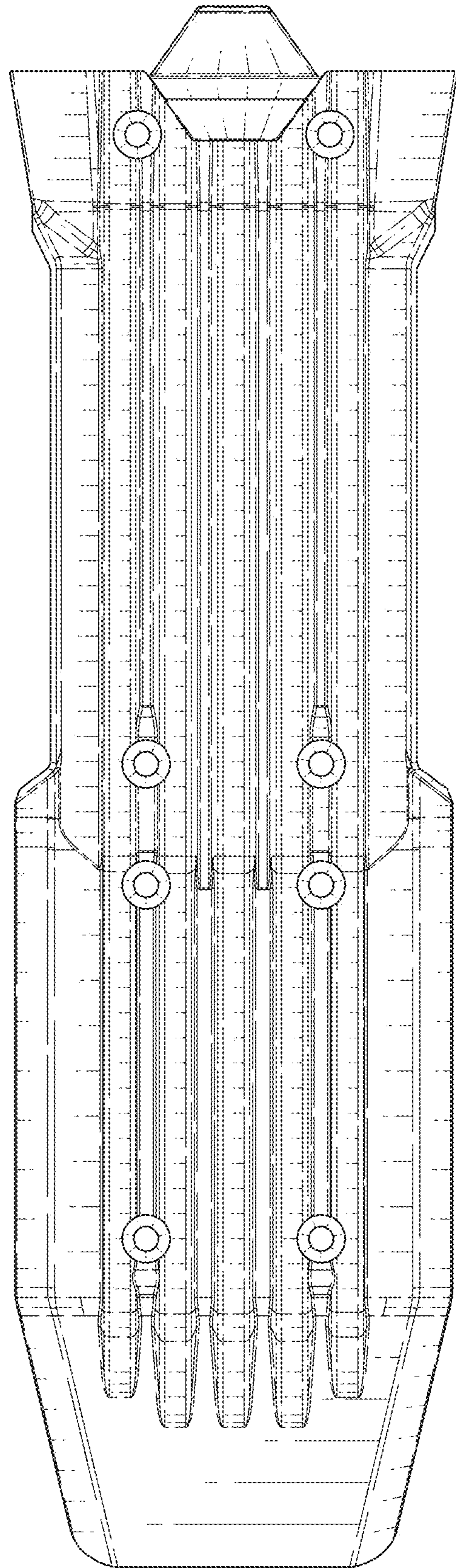


FIG. 8

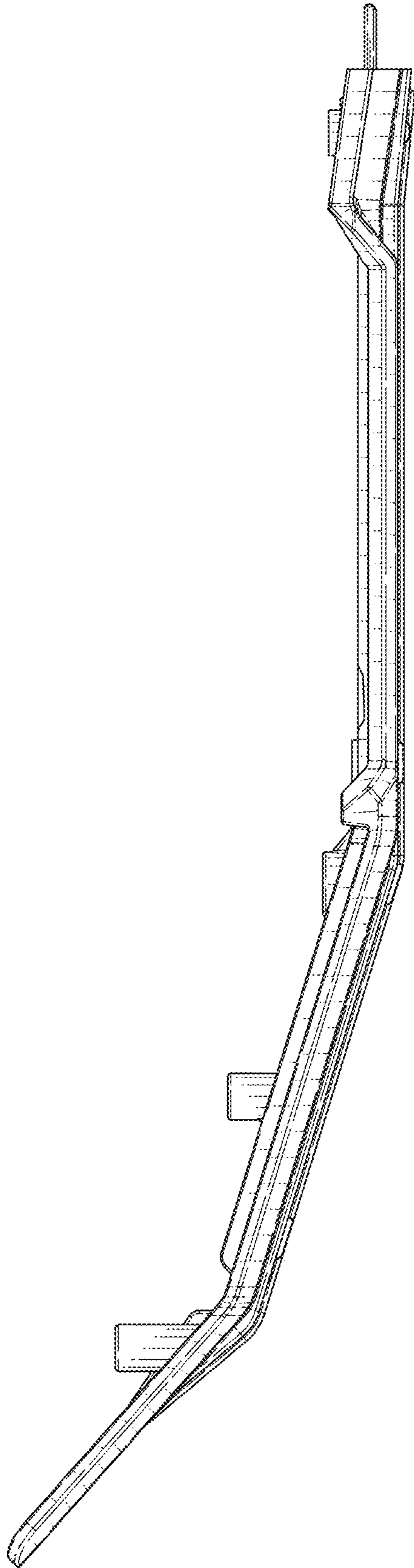


FIG. 9

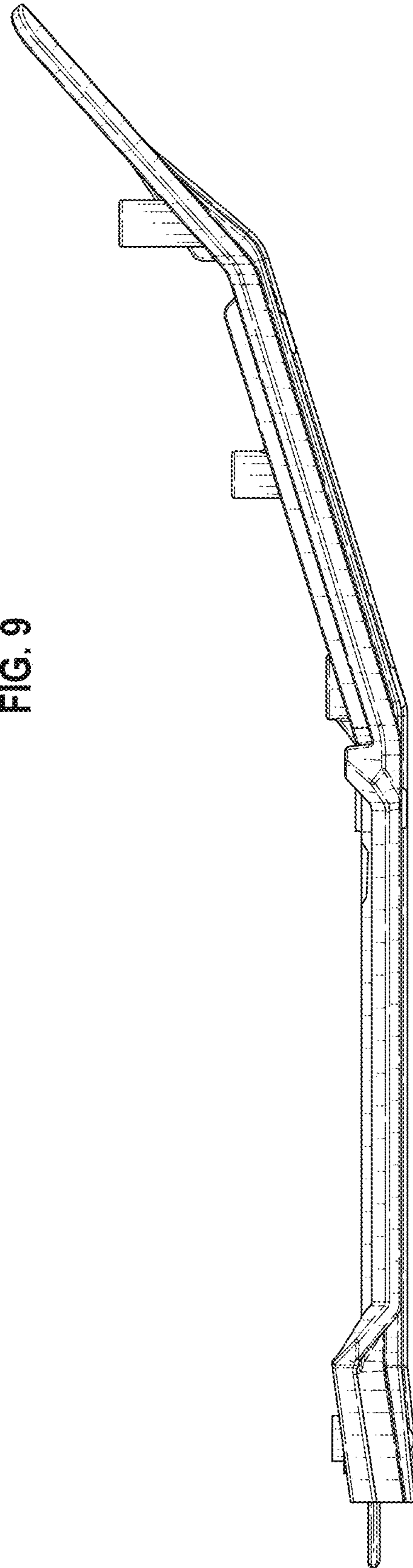


FIG. 10