



US0D1124709S

(12) **United States Design Patent** (10) **Patent No.:** **US D1,124,709 S**
Wang (45) **Date of Patent:** **** May 5, 2026**

(54) **FOLDABLE ANTI-FATIGUE MAT**
(71) Applicant: **Aborder Products, Inc.**, Irving, TX (US)
(72) Inventor: **Xuzhong Wang**, Southlake, TX (US)
(73) Assignee: **ABORDER PRODUCTS, INC.**, Irving, TX (US)
(**) Term: **15 Years**
(21) Appl. No.: **29/988,948**
(22) Filed: **Feb. 7, 2025**
(30) **Foreign Application Priority Data**

Aug. 7, 2024 (CN) 202430498808.1

(51) **LOC (15) Cl.** **06-11**
(52) **U.S. Cl.**
USPC **D6/582**
(58) **Field of Classification Search**
USPC D6/582-589, 592-593; D12/203; D7/388; D32/56; D25/125, 138
CPC A47G 27/0225; A47G 27/0237; A47G 29/062; A47G 27/02; A47K 3/002; A47K 7/026; A63B 21/4037; A63B 6/00
See application file for complete search history.

(56) **References Cited**

U.S. PATENT DOCUMENTS

1,756,380 A * 4/1930 Osborn A47G 27/0225
15/244.4
D375,013 S * 10/1996 Wong D6/583
D471,236 S * 3/2003 Robbins, III D19/95
D543,765 S * 6/2007 Allen
D674,640 S * 1/2013 Knoll D6/582
D715,274 S * 10/2014 Callas D14/230
D749,062 S * 2/2016 Callas D14/230
D770,201 S * 11/2016 Dieckhaus D6/582

D827,333 S * 9/2018 Patton D6/582
D847,536 S * 5/2019 Patton D6/582
10,582,793 B1 * 3/2020 McMahan B32B 5/32
D907,940 S * 1/2021 Kassin D6/596
D992,306 S * 7/2023 Butler D6/585
D1,019,196 S * 3/2024 Song
D1,046,492 S * 10/2024 Chen D6/592
D1,047,507 S * 10/2024 Lu D6/582
D1,050,762 S * 11/2024 Borenstein A63B 21/4037
D6/582
D1,053,615 S * 12/2024 Lu D6/582
D1,086,742 S * 8/2025 Klug D6/582
(Continued)

FOREIGN PATENT DOCUMENTS

CN 303867482 S 9/2016
CN 303867484 S 9/2016
(Continued)

Primary Examiner — Clare Ann Gannon

(74) *Attorney, Agent, or Firm* — KLEMCHUK PLLC

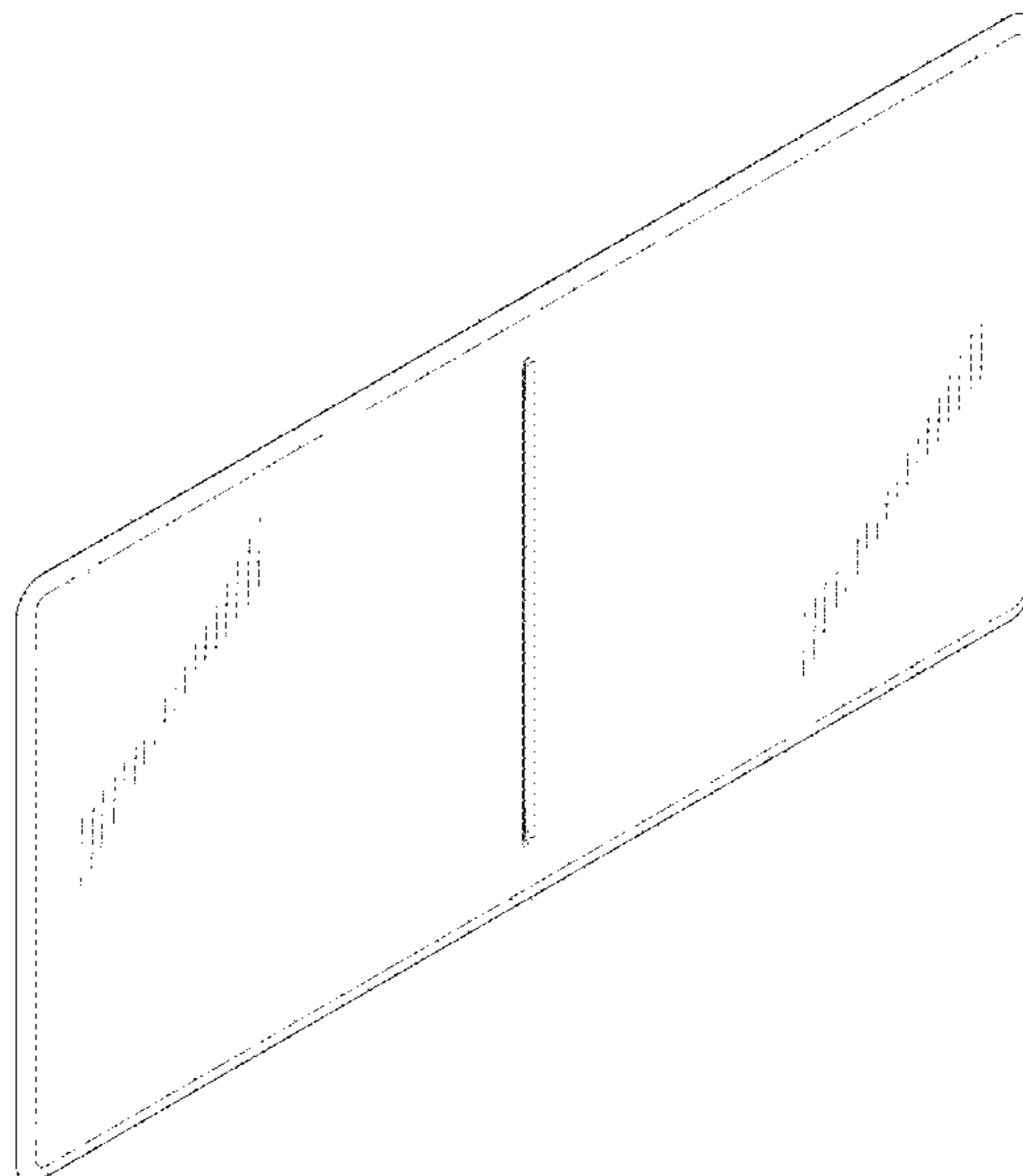
(57) **CLAIM**

An ornamental design for a foldable anti-fatigue mat, as shown and described.

DESCRIPTION

FIG. 1 is a perspective view of a bottom side of a foldable anti-fatigue mat when unfolded showing the design.
FIG. 2 is another perspective view of a top side when unfolded.
FIG. 3 is a top plan view when unfolded.
FIG. 4 is a bottom view when unfolded.
FIG. 5 is a side view when unfolded, with the two short sides views being identical.
FIG. 6 is another side view when unfolded, with the two long sides views being identical; and,
FIG. 7 is a perspective view when folded, with top sides in, viewed from the short sides and one of the long sides.

1 Claim, 4 Drawing Sheets



(56)

References Cited

U.S. PATENT DOCUMENTS

2006/0177626 A1* 8/2006 Johnson B32B 27/30
428/99
2008/0118671 A1* 5/2008 Bienkiewicz A63B 21/4037
428/12
2013/0084413 A1* 4/2013 McMahan B32B 3/26
428/68
2017/0136730 A1* 5/2017 Dawson B32B 5/024
2018/0153328 A1* 6/2018 Girard B25H 5/00
2019/0150647 A1* 5/2019 Olawumi A47G 27/0225
2022/0202222 A1* 6/2022 Hendrickson H02G 3/283

FOREIGN PATENT DOCUMENTS

CN 303867487 S 9/2016
CN 303867488 S 9/2016
CN 303867494 S 9/2016
CN 303867497 S 9/2016
CN 303867498 S 9/2016

* cited by examiner

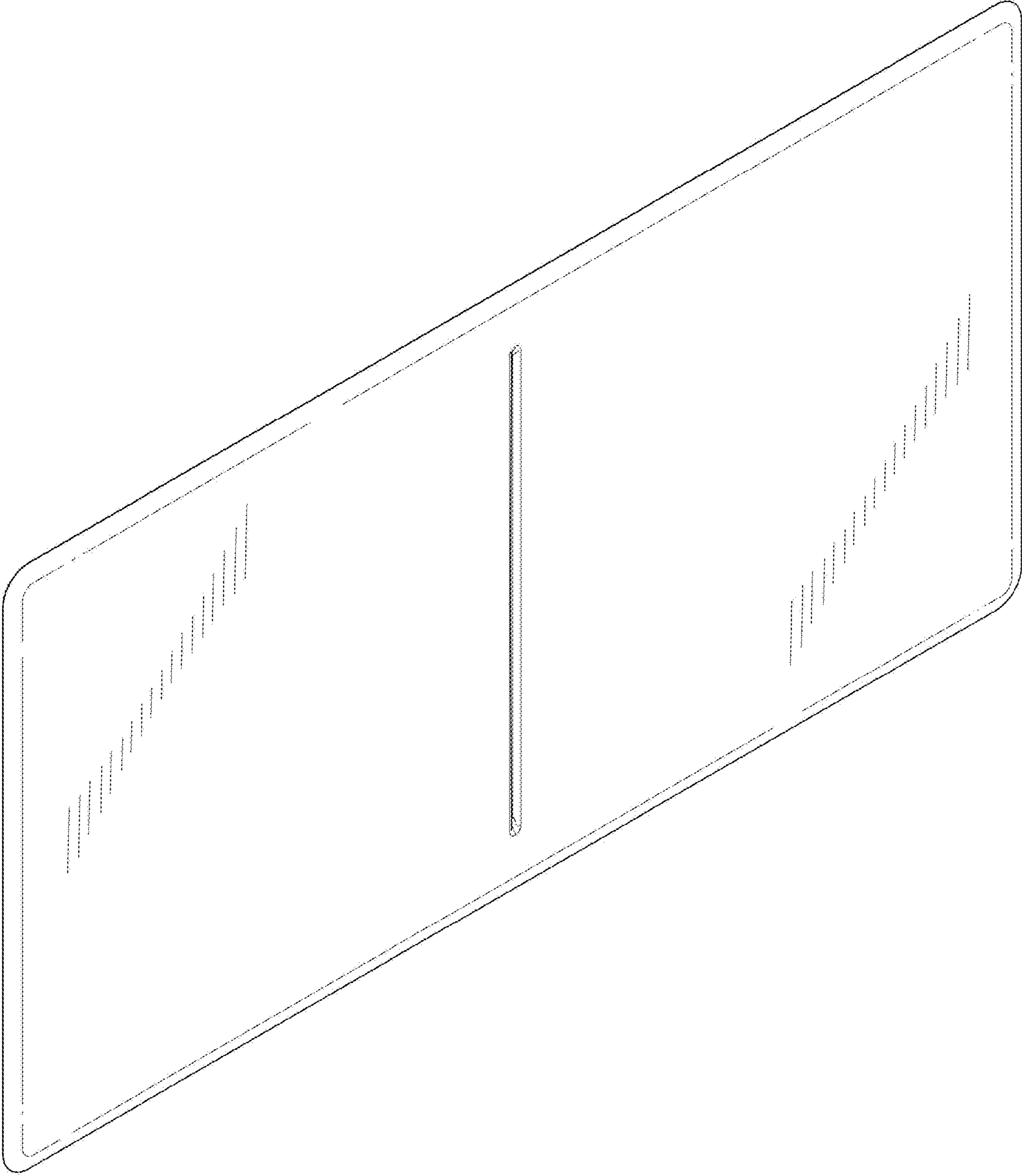


FIG.1

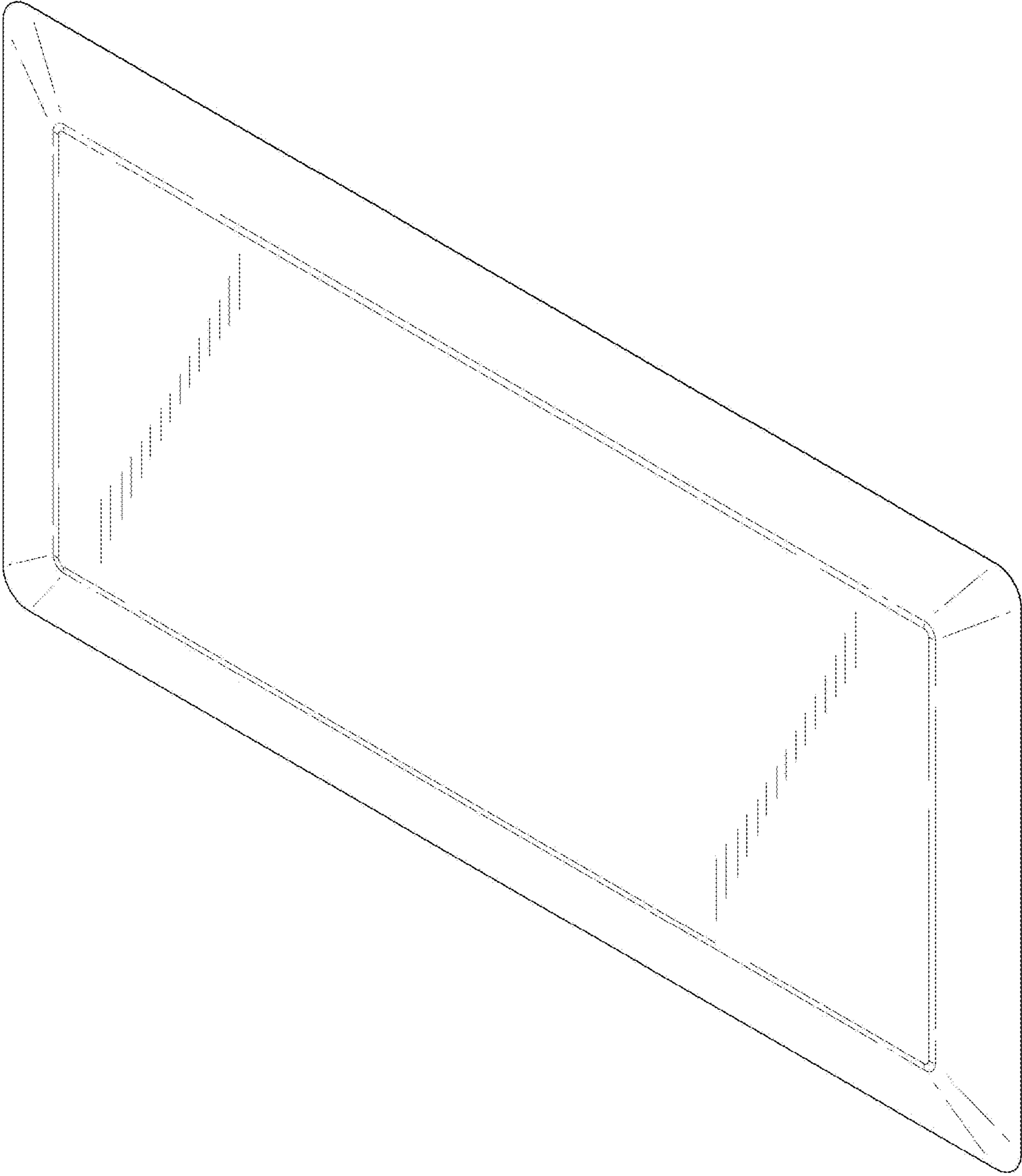


FIG.2



FIG.3

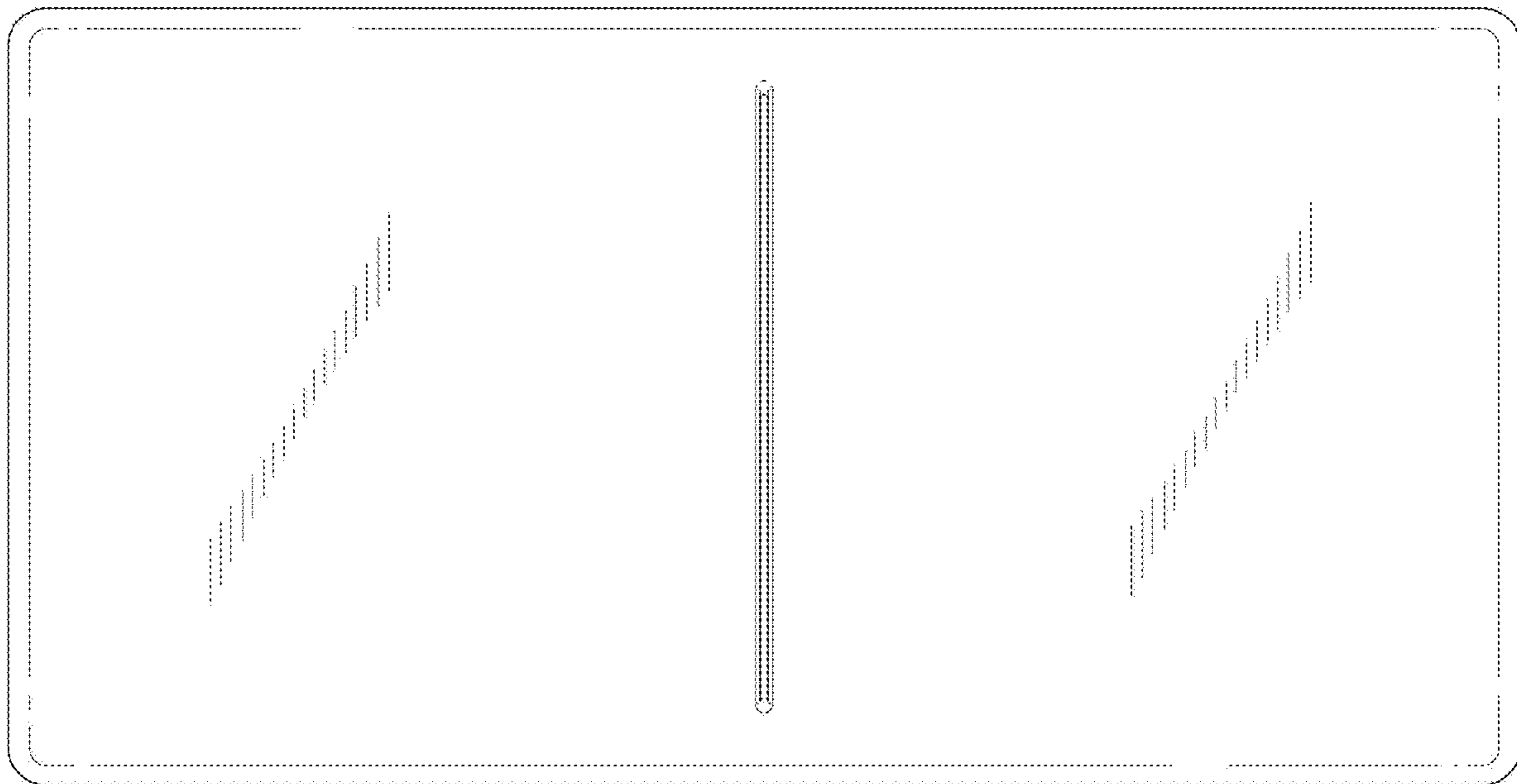


FIG.4



FIG. 5

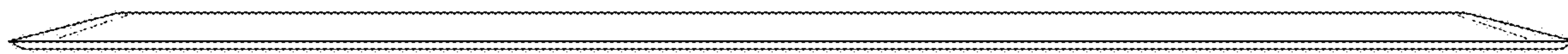


FIG. 6

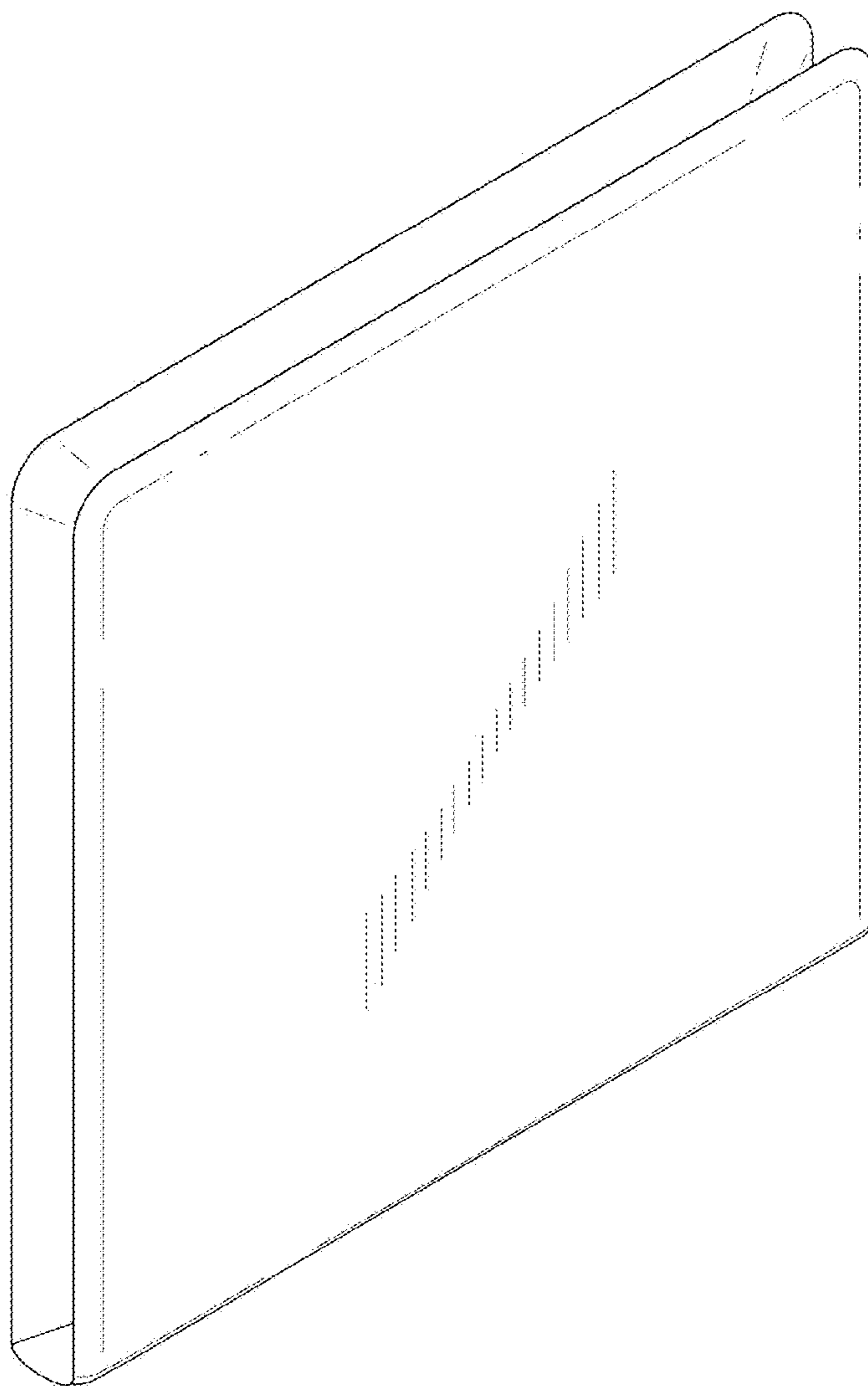


FIG. 7