



US0D1124658S

(12) **United States Design Patent**
Zhang et al.

(10) **Patent No.:** **US D1,124,658 S**

(45) **Date of Patent:** **** May 5, 2026**

(54) **DRAIN BASKET**

(71) Applicant: **GENICOOK PRODUCT, LLC**,
Dallas, TX (US)

(72) Inventors: **Jianzhong Zhang**, Handan (CN);
Qingchuan Xie, Handan (CN)

(73) Assignee: **GENICOOK PRODUCT LLC**, Dallas,
TX (US)

(**) Term: **15 Years**

(21) Appl. No.: **29/950,407**

(22) Filed: **Jul. 2, 2024**

(51) **LOC (15) Cl.** **09-04**

(52) **U.S. Cl.**
USPC **D3/309; D3/304**

(58) **Field of Classification Search**
USPC D3/230, 231, 232, 243, 273, 276, 279,
D3/285, 290, 313, 305, 306, 307, 308,
D3/272, 281, 282, 304, 309, 310, 311,
D3/312, 314, 315, 321; D9/748, 749;
D7/667

CPC A47G 19/30; A47J 43/22; A47J 43/24;
A47L 19/00; A47L 19/04

See application file for complete search history.

(56) **References Cited**

U.S. PATENT DOCUMENTS

D165,610 S *	1/1952	Sandberg	D9/426
D274,967 S *	8/1984	Taylor	D3/304
D346,725 S *	5/1994	Kolada	D7/667
D708,023 S *	7/2014	Gast	D7/667
D803,015 S *	11/2017	Farrell	D7/601
D816,998 S *	5/2018	Greenwood	D3/312
D818,662 S *	5/2018	Isidore	D32/55
11,085,179 B1 *	8/2021	Cohen	E03C 1/264

D989,572 S *	6/2023	Greenwood	D7/669
D1,027,448 S *	5/2024	Jin	D3/302
D1,027,449 S *	5/2024	Tan	D3/304
D1,094,020 S *	9/2025	Merrill	D7/602
D1,094,029 S *	9/2025	Merrill	D7/629

OTHER PUBLICATIONS

“Urban Green Glass Food Storage Containers with Glass Lids”,
[Posted Online on amazon.com], [First Available Date Jul. 19,
2024] , [Retrieved Online on Sep. 29, 2025], <https://www.amazon.com/Urban-Green-Containers-Microwave-Container/dp/B0D9QBSDGW/> (Year: 2024).*

(Continued)

Primary Examiner — Bao-Yen T Nguyen

Assistant Examiner — Christopher John Suarez La Rosa

(57) **CLAIM**

The ornamental design for a drain basket, as shown and described.

DESCRIPTION

FIG. 1 is a first perspective view of a drain basket showing our new design;

FIG. 2 is a second perspective view thereof;

FIG. 3 is a front view thereof;

FIG. 4 is a back view thereof;

FIG. 5 is a left side view thereof;

FIG. 6 is a right side view thereof;

FIG. 7 is a top view thereof;

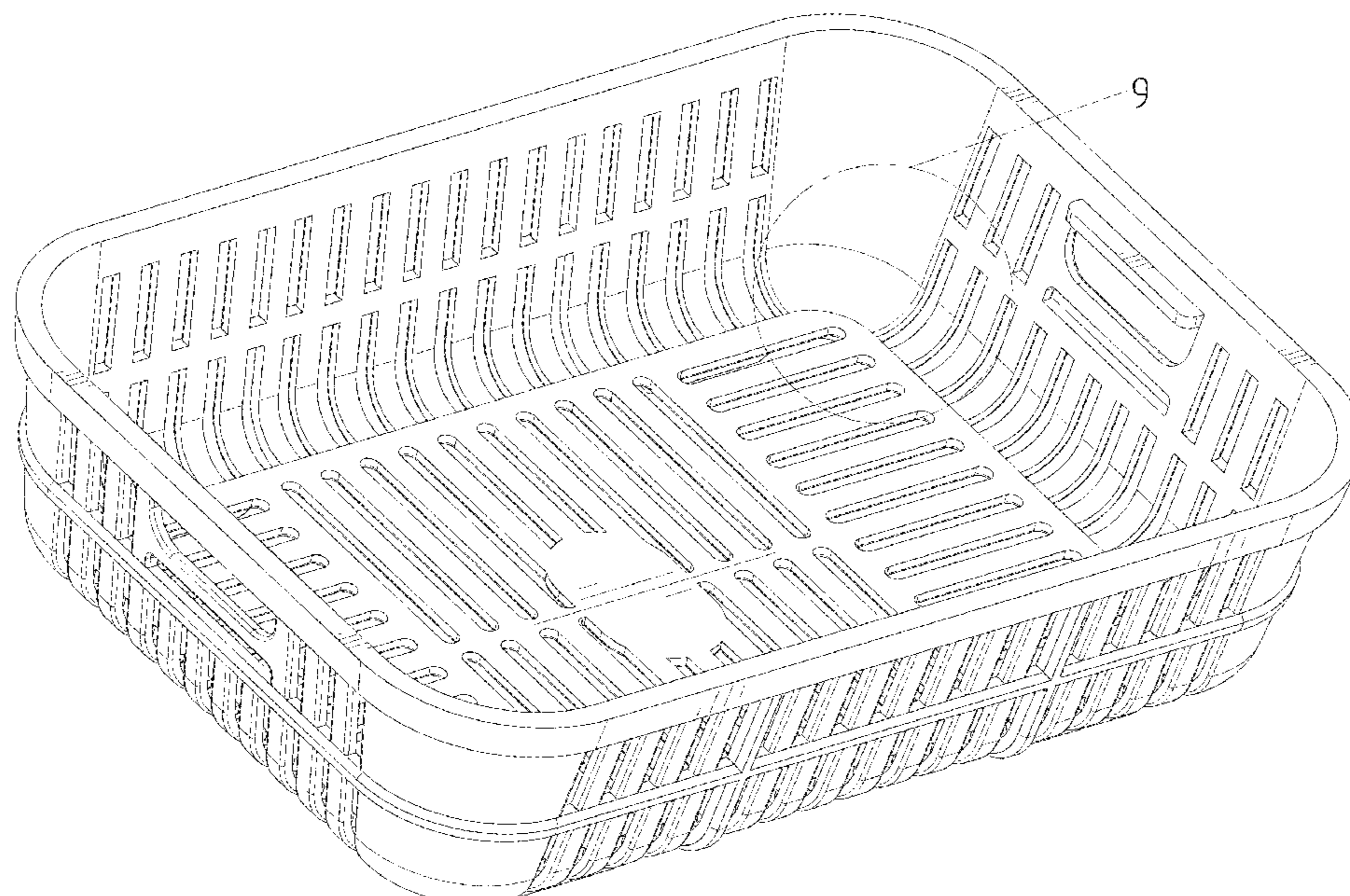
FIG. 8 is a bottom view thereof;

FIG. 9 is an enlarged view of the selected portion 9 in FIG. 1; and,

FIG. 10 is an enlarged view of the selected portion 10 in FIG. 2.

The long dash-dash broken lines depict enlargement boundary limits that form no part of the claimed design.

1 Claim, 10 Drawing Sheets



(56)

References Cited

OTHER PUBLICATIONS

“Luxear Produce containers for fridge”, [Posted Online on amazon.com], [First Available Date Jan. 9, 2025], [Retrieved Online on Sep. 29, 2025], [://www.amazon.com/LUXEAR-containers-Containers-Dishwasher-Vegetables/dp/B0DSK8SFVJ/](https://www.amazon.com/LUXEAR-containers-Containers-Dishwasher-Vegetables/dp/B0DSK8SFVJ/) (Year: 2025).*

“68oz Berry Keeper Fruit Storage Container for Fridge”, [Posted Online on amazon.com], [First Available Date Jul. 9, 2021], [Retrieved Online on Sep. 29, 2025], <https://www.amazon.com/shopwithgreen-Container-Containers-Removable-Refrigerator/dp/B09782MR3Z/> (Year: 2021).*

“Winproper 5-Pack Fruit Storage Containers for Fridge with Removable Colanders”, [Posted Online on amazon.com], [First Available Date Jun. 13, 2023], [Retrieved Online on Sep. 25, 2025], <https://www.amazon.com/Storage-Containers-Removable-Colanders-Vegetables/dp/B0C7TMSDP2/> (Year: 2023).*

* cited by examiner

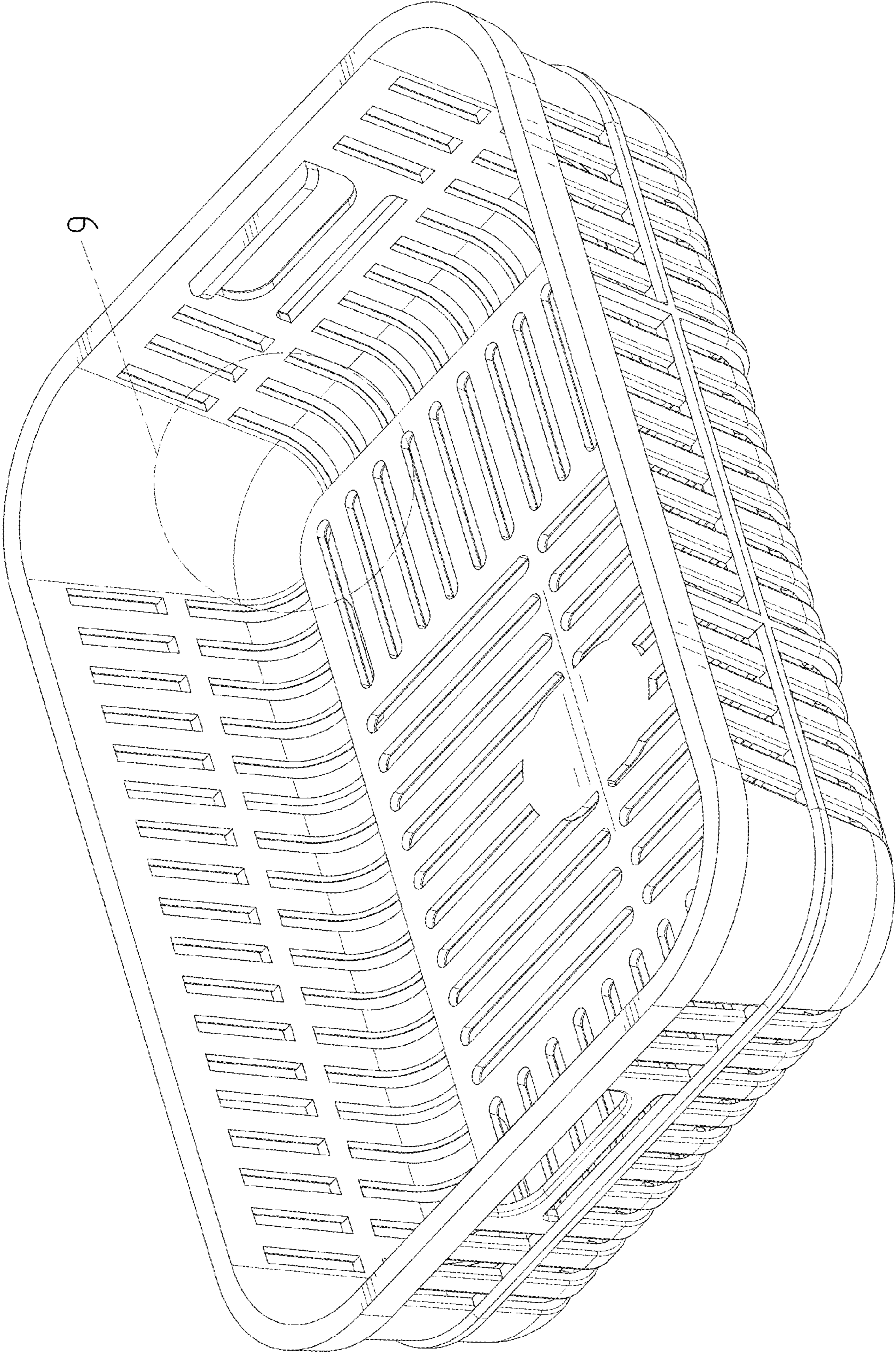


FIG. 1

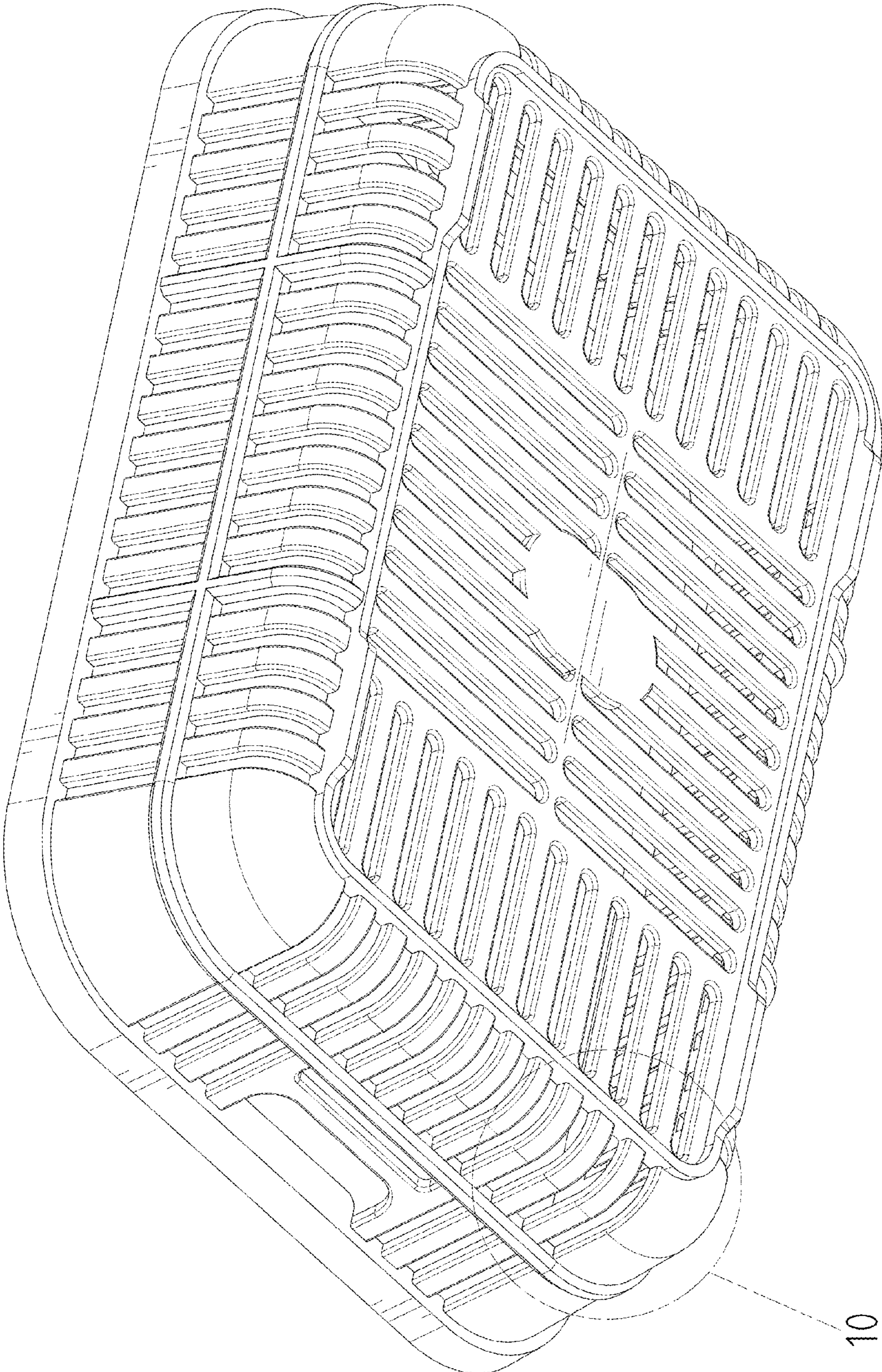


FIG. 2

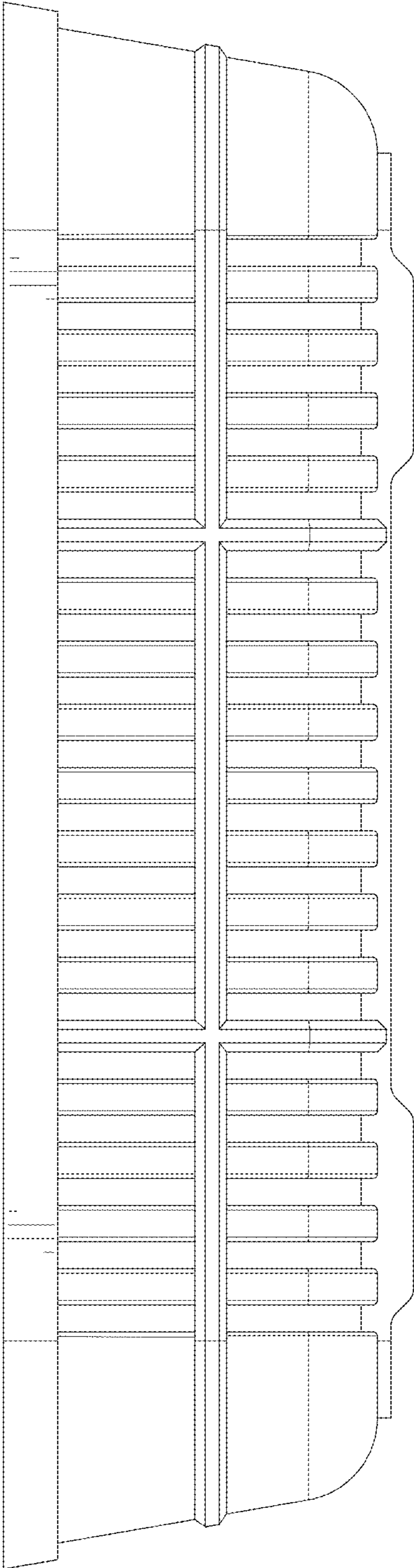


FIG. 3

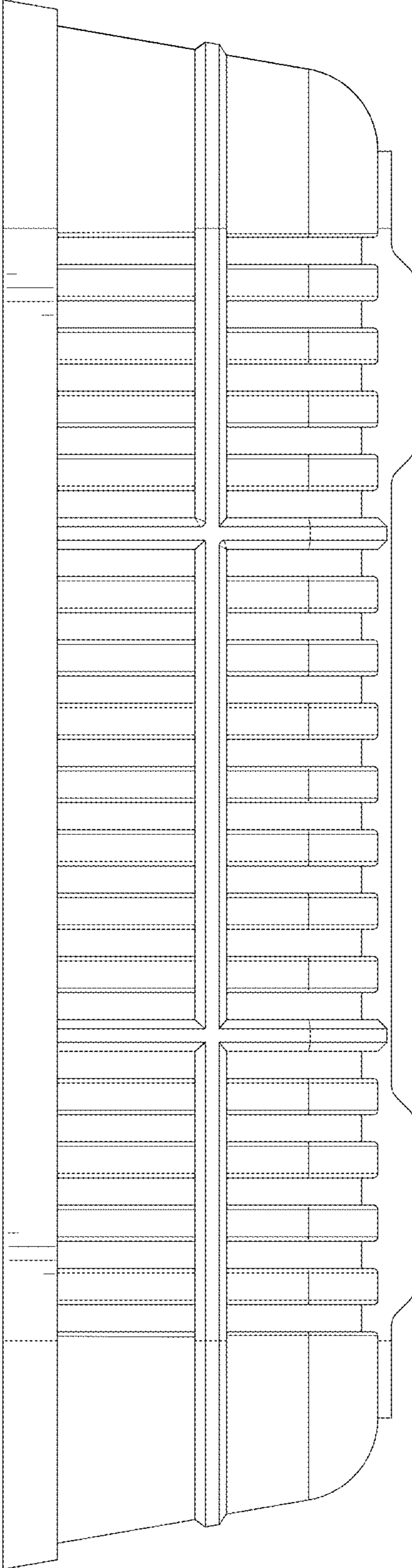


FIG. 4

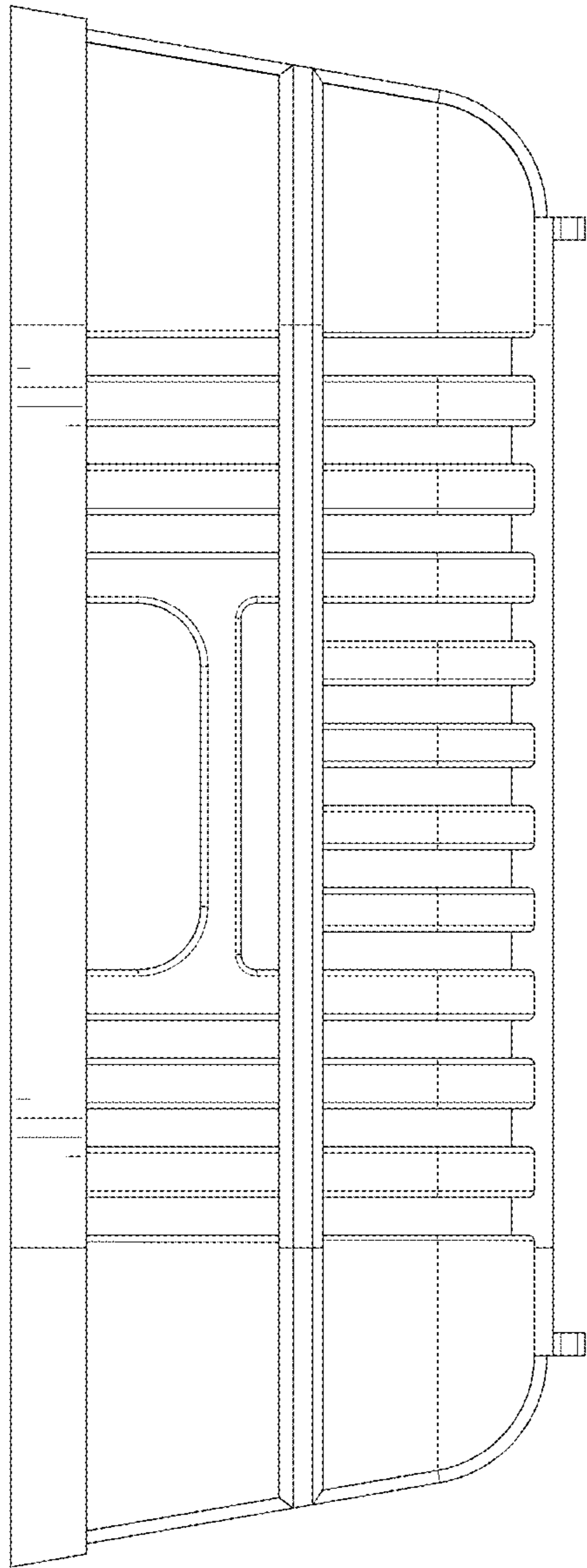


FIG. 5

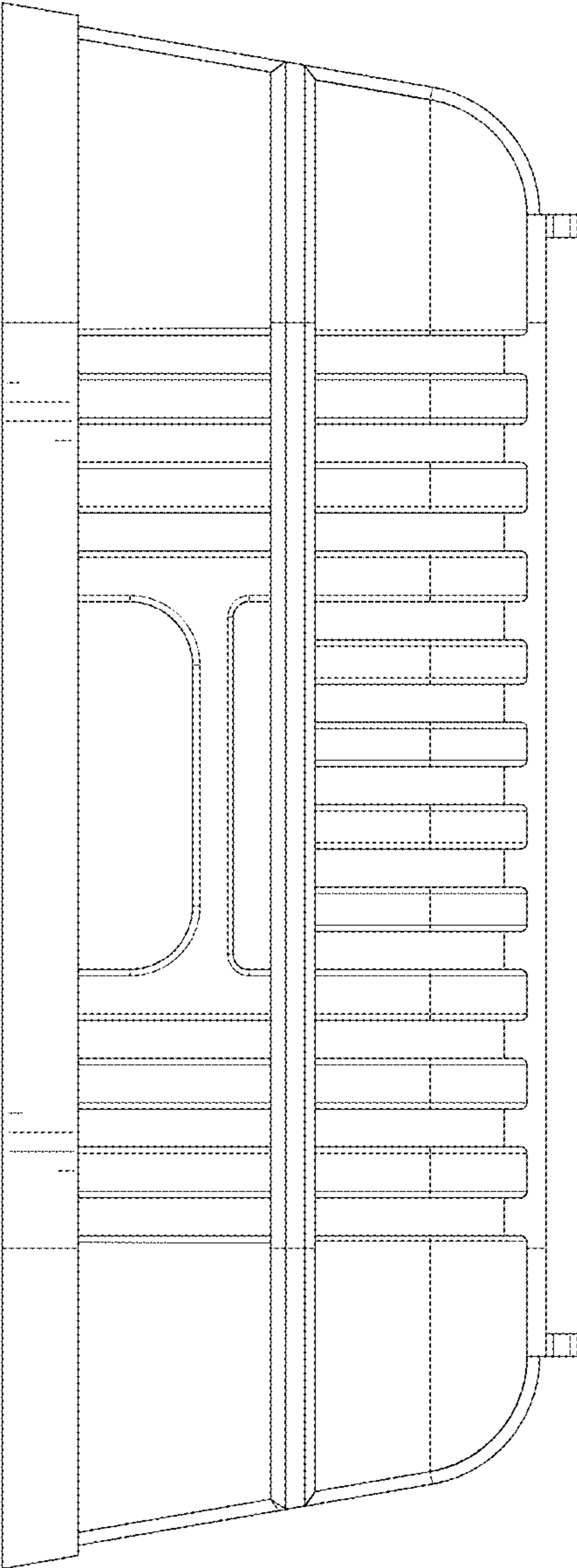


FIG. 6

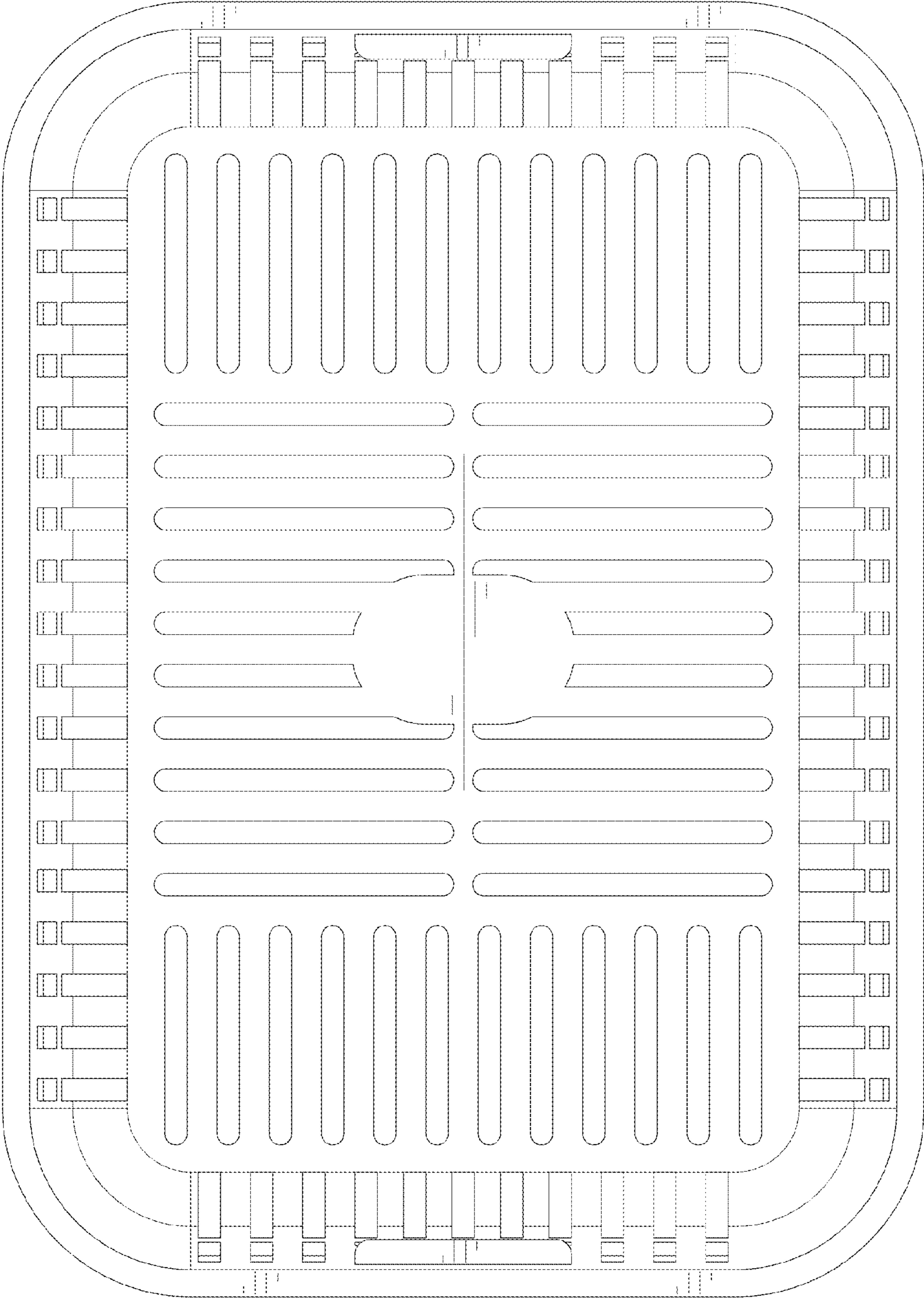


FIG. 7

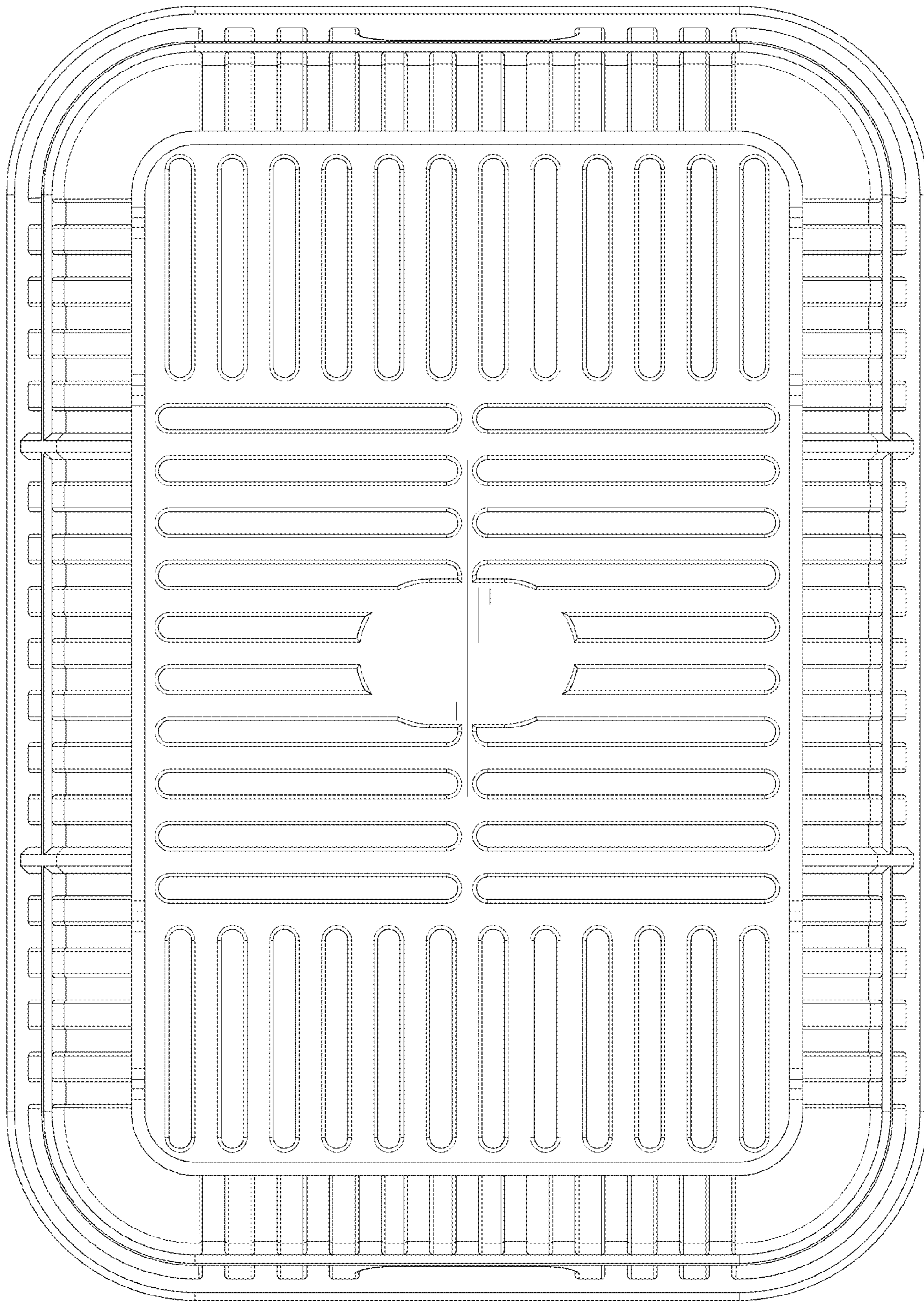


FIG. 8

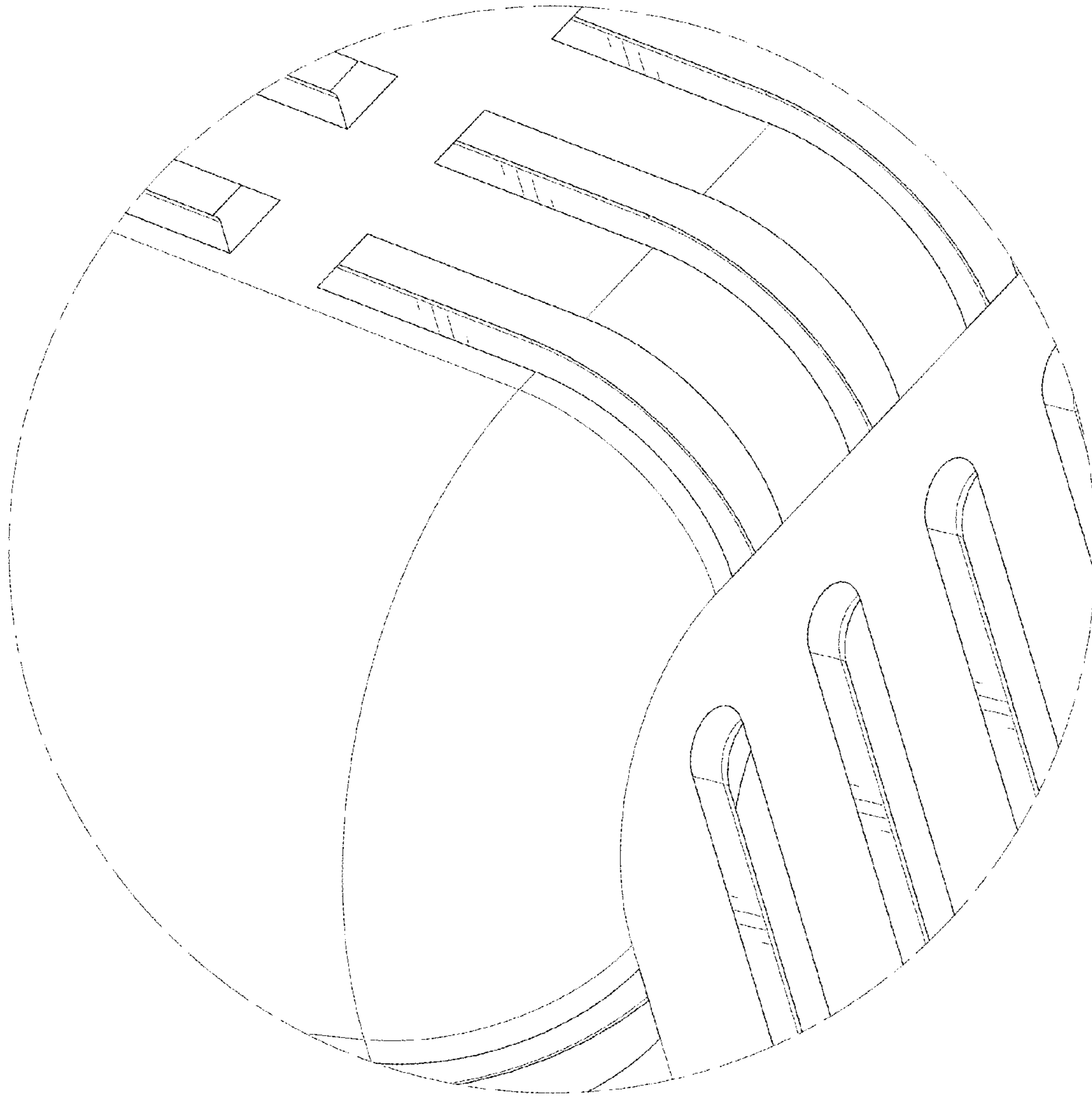


FIG. 9

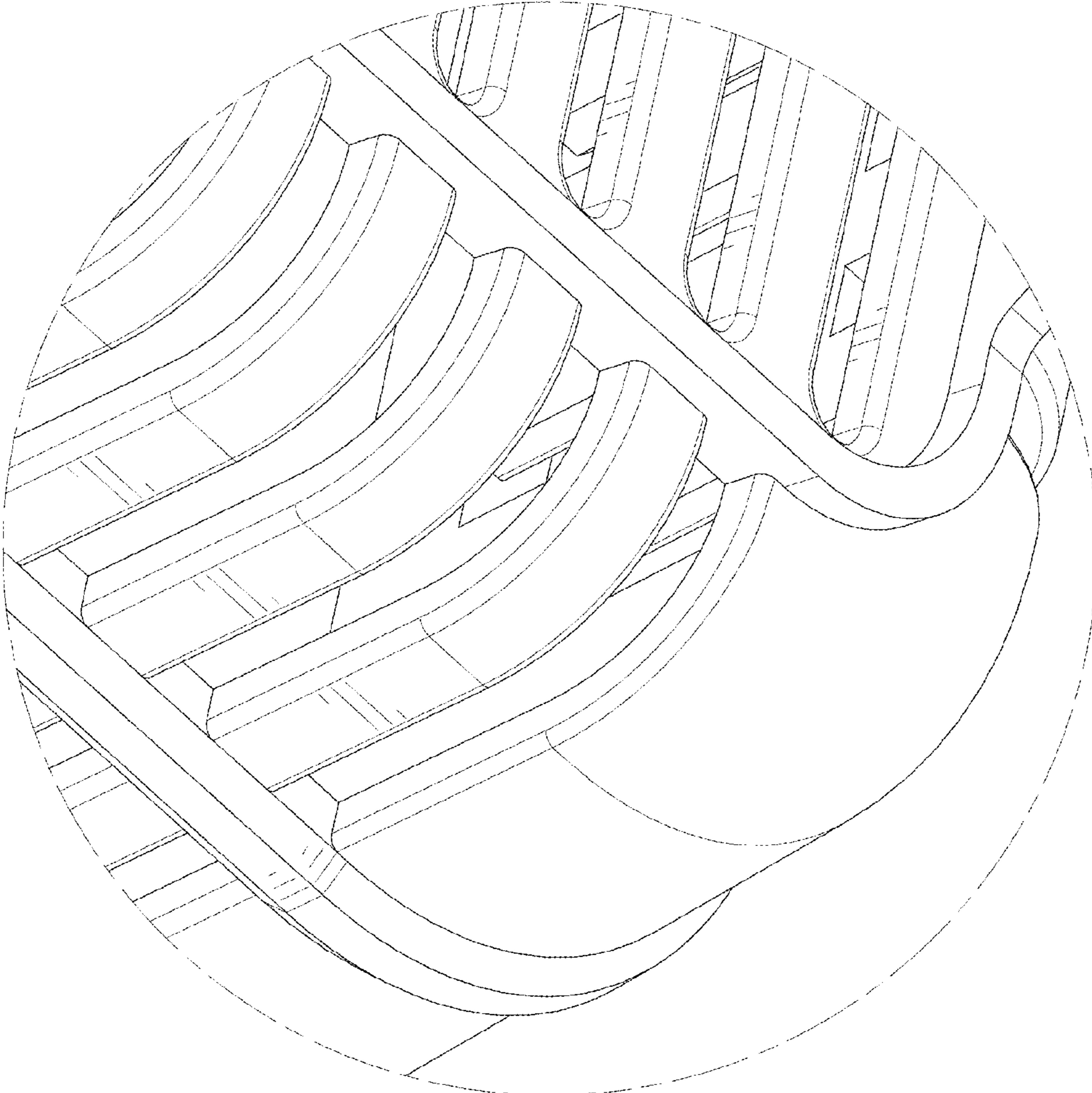


FIG. 10