



US0D1124310S

(12) **United States Design Patent**
Chen

(10) **Patent No.: US D1,124,310 S**

(45) **Date of Patent: ** *Apr. 28, 2026**

(54) **JEWELLED EARPLUG**

(71) Applicant: **Carol Chen**, Dallas, TX (US)

(72) Inventor: **Carol Chen**, Dallas, TX (US)

(*) Notice: This patent is subject to a terminal disclaimer.

(**) Term: **15 Years**

(21) Appl. No.: **29/989,967**

(22) Filed: **Feb. 18, 2025**

Related U.S. Application Data

(63) Continuation-in-part of application No. 29/921,608, filed on Dec. 18, 2023, which is a continuation-in-part of application No. 29/916,811, filed on Nov. 15, 2023.

(51) **LOC (15) Cl.** **24-01**

(52) **U.S. Cl.**

USPC **D24/106**; D14/223; D29/112

(58) **Field of Classification Search**

USPC D2/870, 878, 891; D11/40, 43, 48, 63, D11/67, 70, 90; D14/205, 223; D24/106, 173-175; D29/100, 102, 105, D29/106, 108, 112, 122

CPC A45F 2005/002; A61F 11/08; A61F 11/12; A61F 11/085; H04R 1/08; H04R 1/10; H04R 1/033; H04R 1/105; H04R 1/1016; H04R 1/1033; H04R 1/1066; H04R 5/033; H04R 5/652; H04R 5/0335; H04R 5/652; H04R 25/00; H04R 25/652; H04R 2420/07; H04R 2460/01

See application file for complete search history.

(56) **References Cited**

U.S. PATENT DOCUMENTS

D99,568 S * 5/1936 Cohn D11/90
D546,229 S * 7/2007 Womack D11/90
D627,337 S * 11/2010 Wu D14/223

D647,888 S * 11/2011 Katsuraku D14/223
D690,685 S * 10/2013 Iacovelli D14/223
D712,777 S * 9/2014 Kuiawa D11/40
D712,778 S * 9/2014 Kuiawa D11/40
D829,124 S * 9/2018 Bonke D11/90
D841,627 S * 2/2019 Wen D14/223
D868,752 S * 12/2019 Zhu D14/223
D922,985 S * 6/2021 Kataoka D14/223
D924,847 S * 7/2021 Xie D14/223
11,388,502 B1 * 7/2022 Parry H04R 1/1083

(Continued)

OTHER PUBLICATIONS

Eargasm Clicks Earplugs, posted Jun. 2, 2022 [online], [retrieved Jul. 23, 2025]. Retrieved from internet, <https://www.amazon.com/Eargasm-Musicians-Motorcycles-Sensitivity-Conditions/dp/B09SNQKKQZ> (Year: 2022).*

(Continued)

Primary Examiner — Lilyana Bekic
Assistant Examiner — Anne E. Bedney

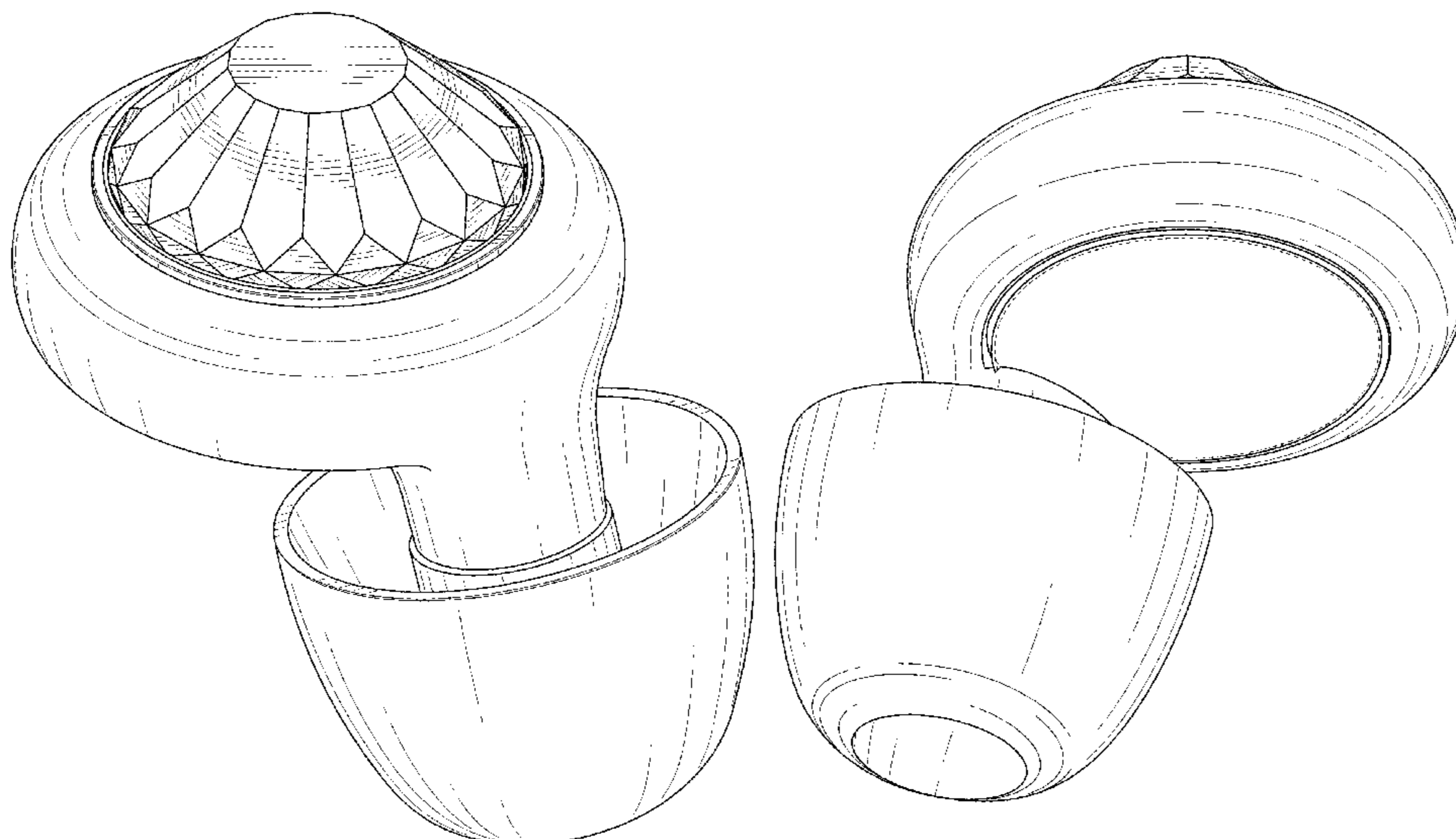
(57) **CLAIM**

The ornamental design for a jeweled earplug, as shown and described.

DESCRIPTION

FIG. 1 is a top-front-left perspective view of a jeweled earplug showing my new design;
FIG. 2 is a bottom-rear-left perspective view thereof;
FIG. 3 is a front elevational view thereof;
FIG. 4 is a rear elevational view thereof;
FIG. 5 is a left-side elevational view thereof;
FIG. 6 is a right-side elevational view thereof;
FIG. 7 is a top plan view thereof; and,
FIG. 8 is a bottom plan view thereof.
The broken lines shown in FIG. 2 and FIG. 8 depict portions of the jeweled earplug that form no part of the claimed design.

1 Claim, 8 Drawing Sheets



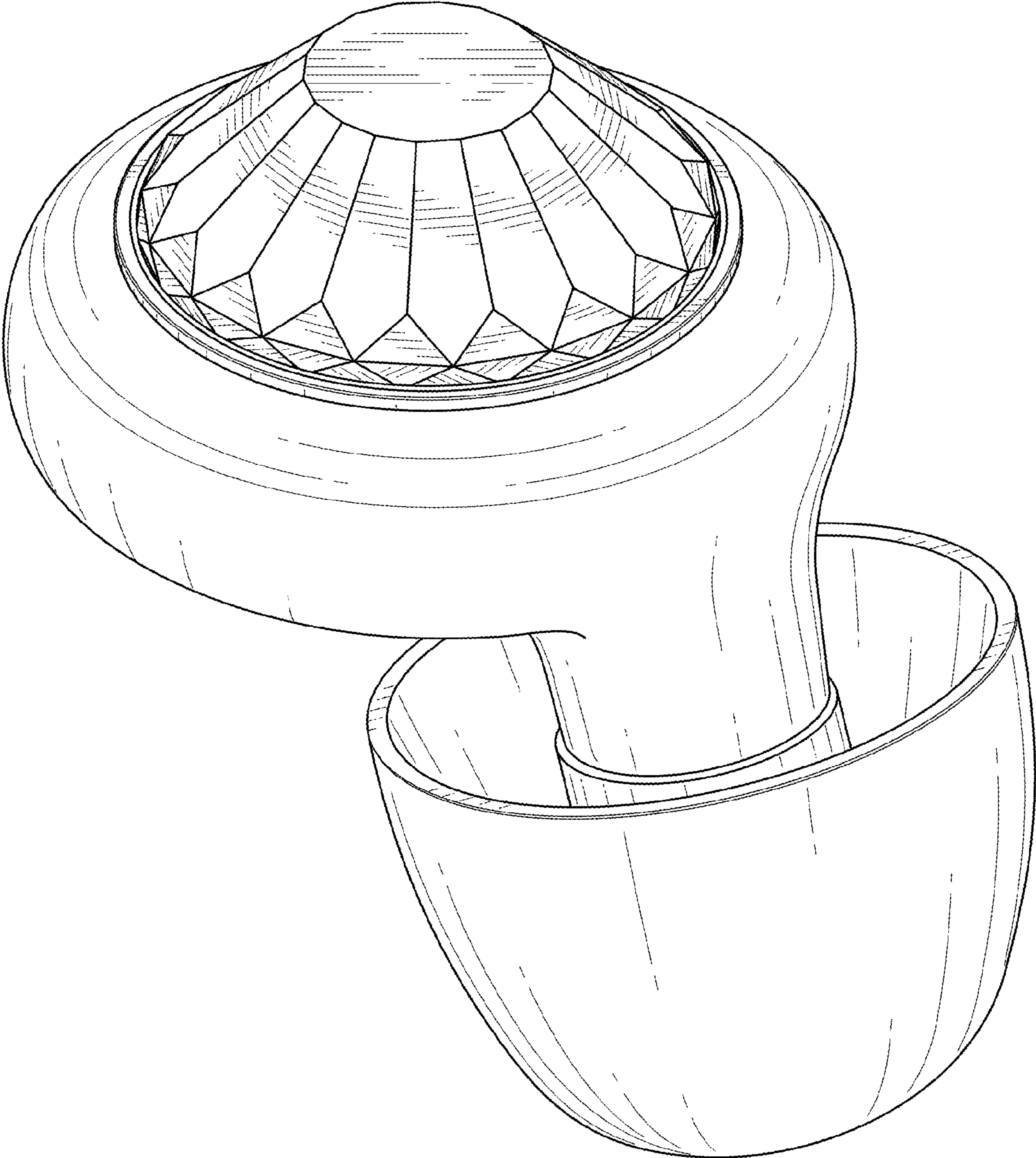


FIG. 1

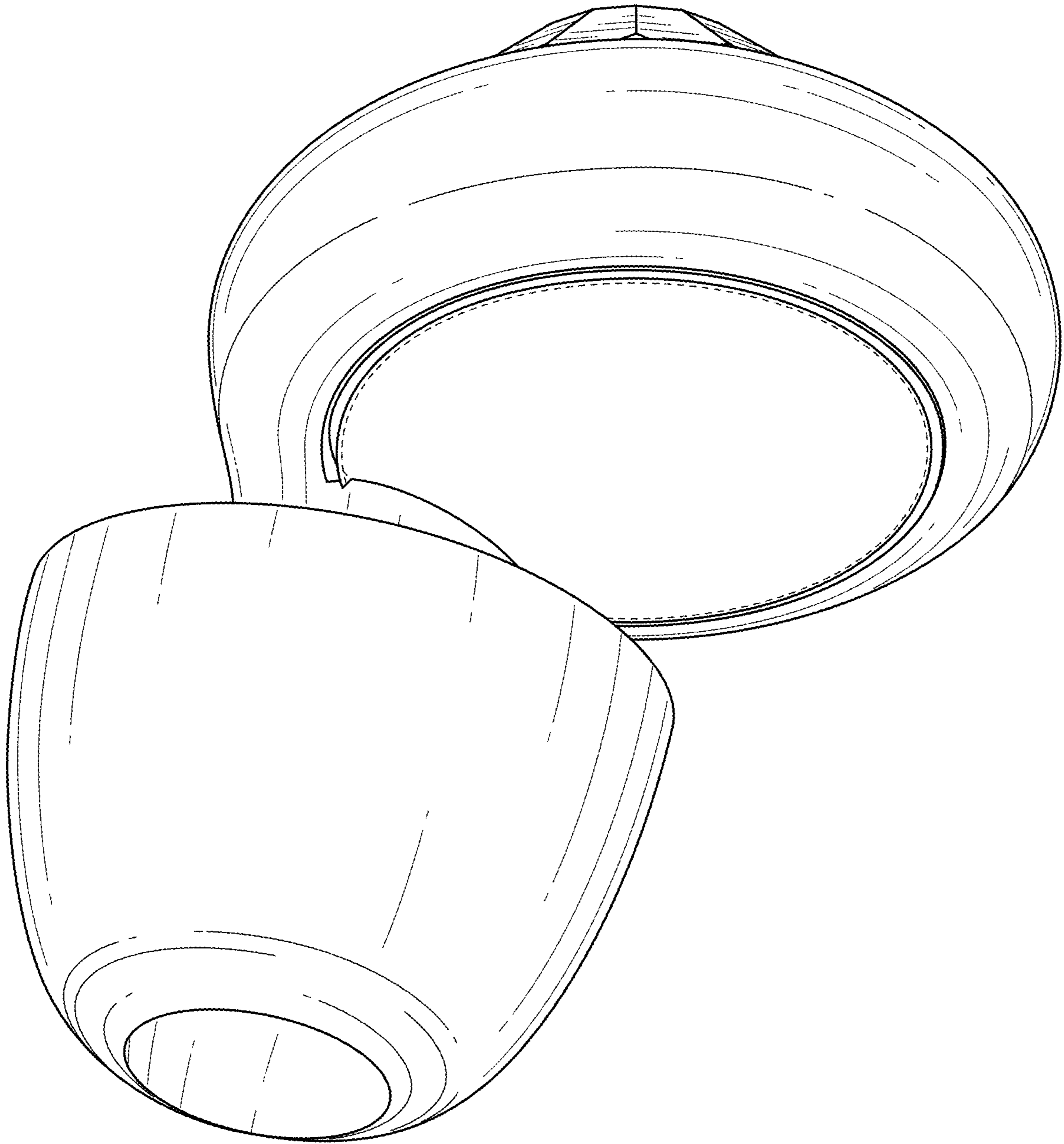


FIG. 2

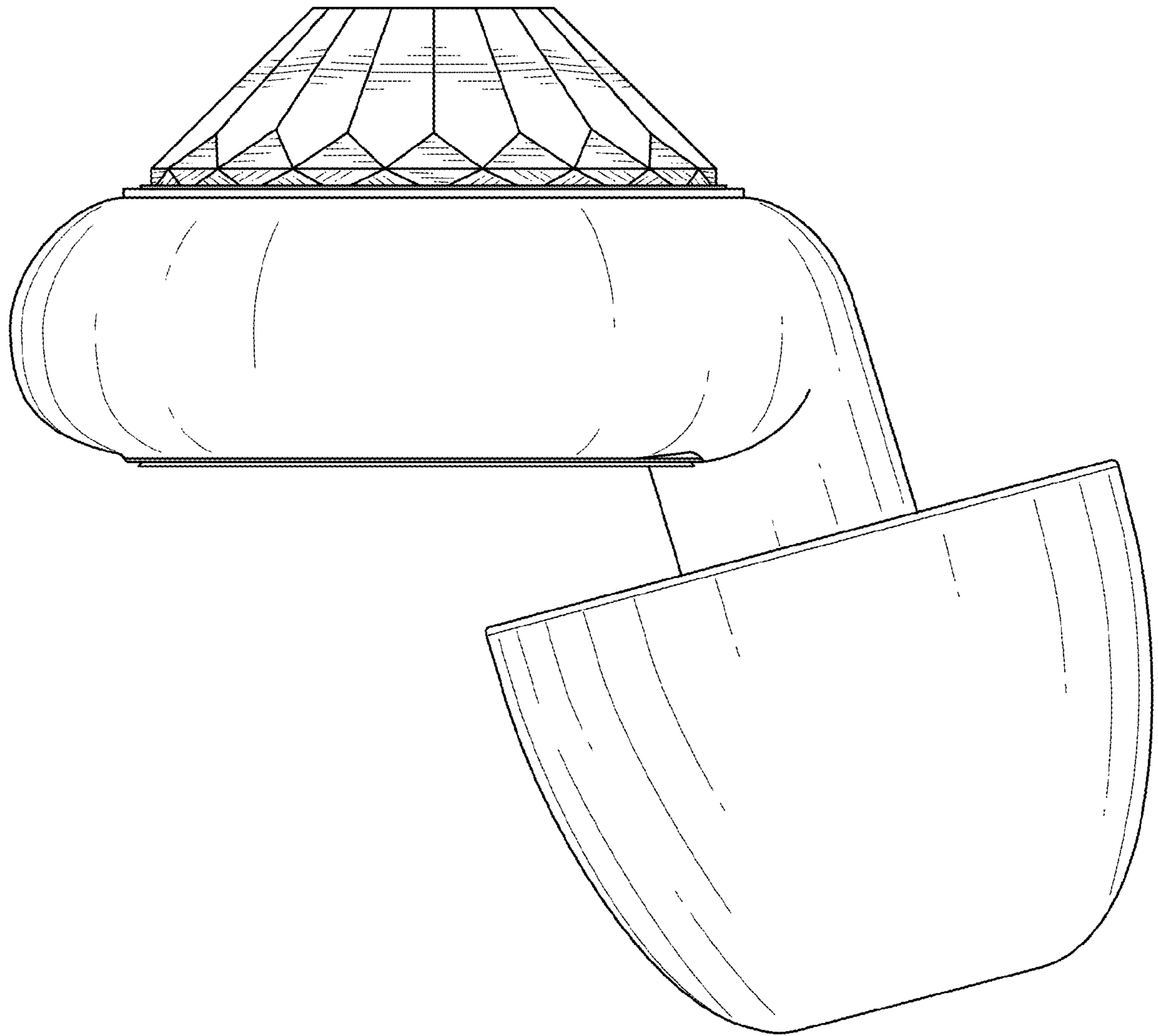


FIG. 3

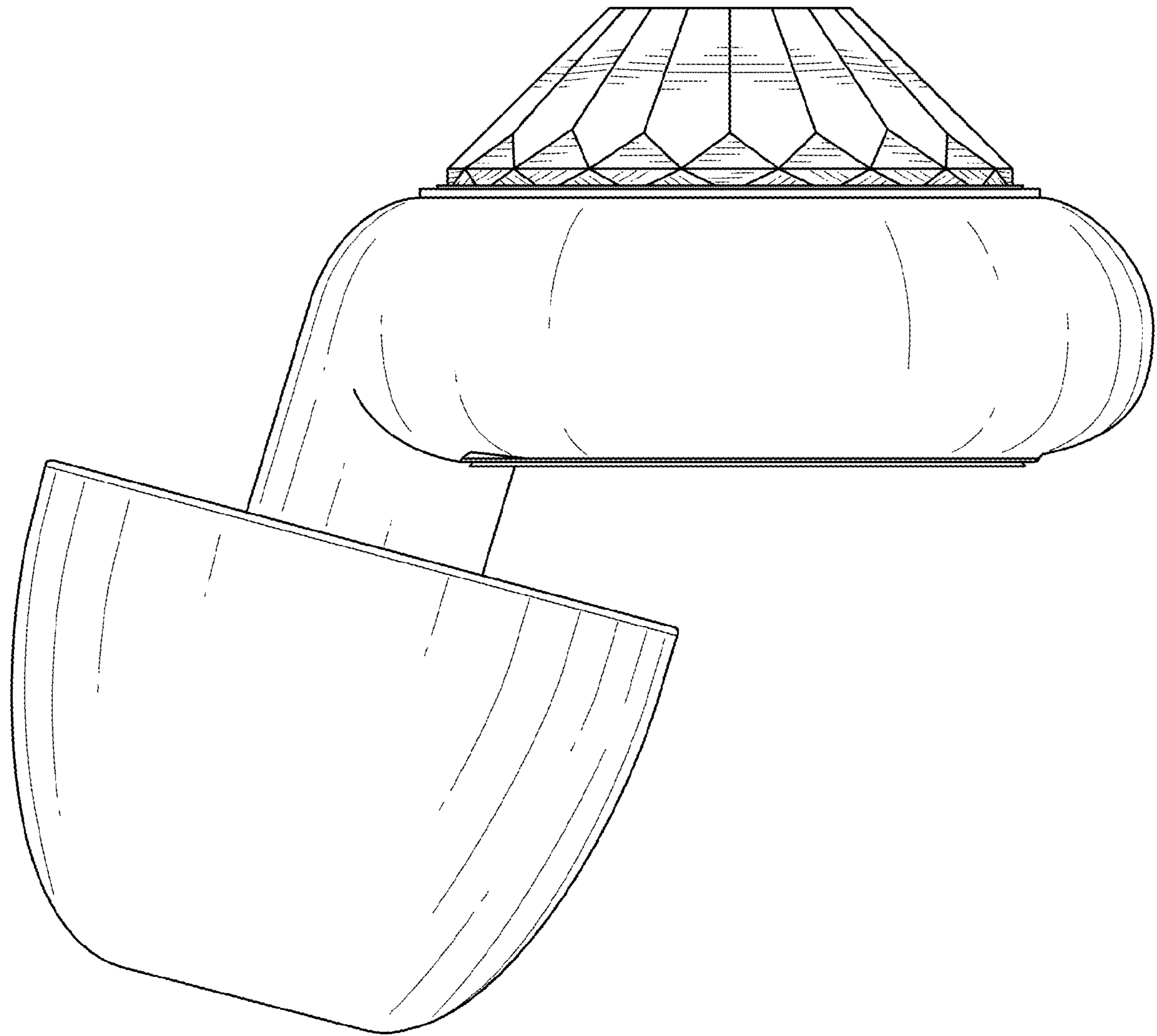


FIG. 4

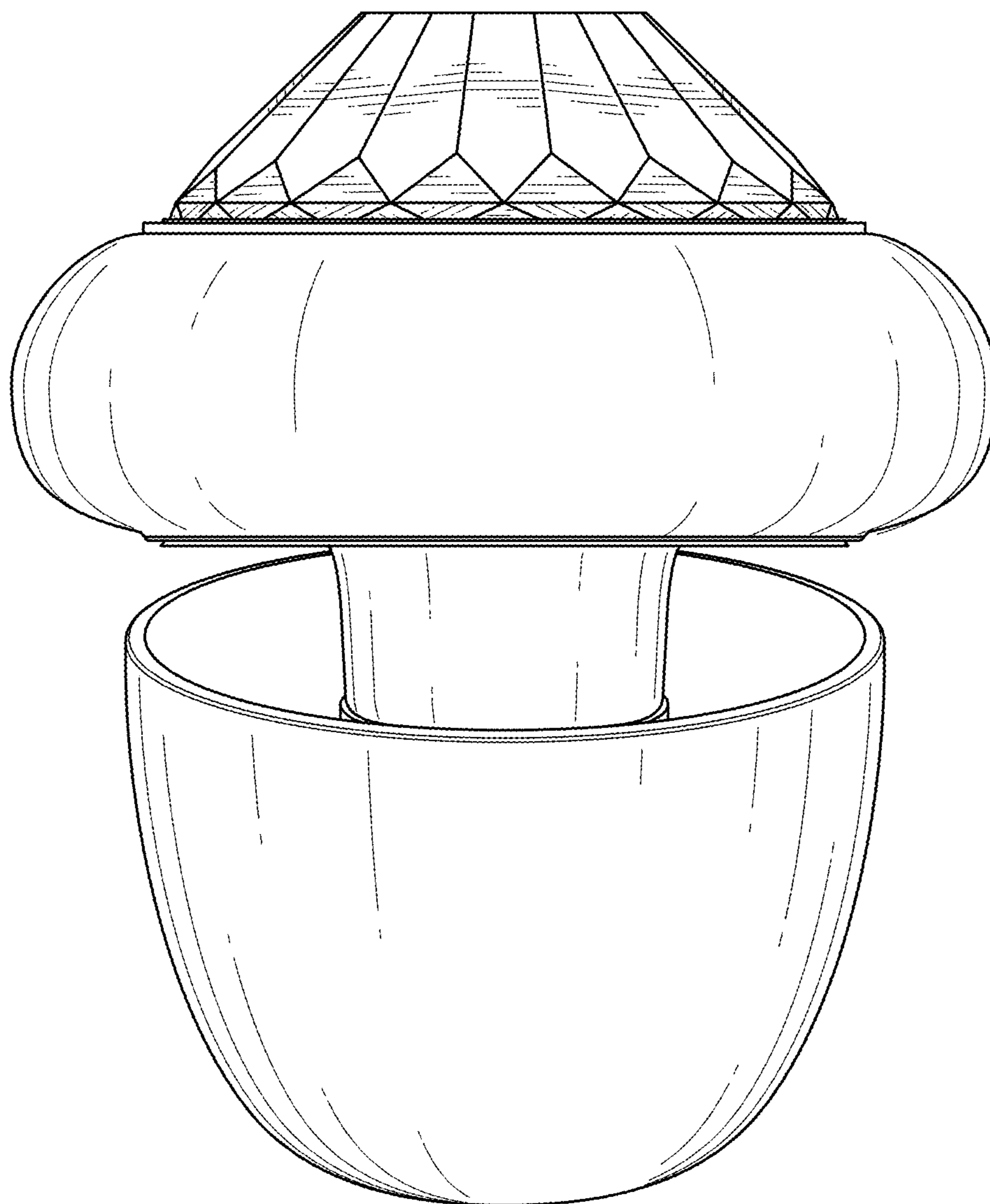


FIG. 5

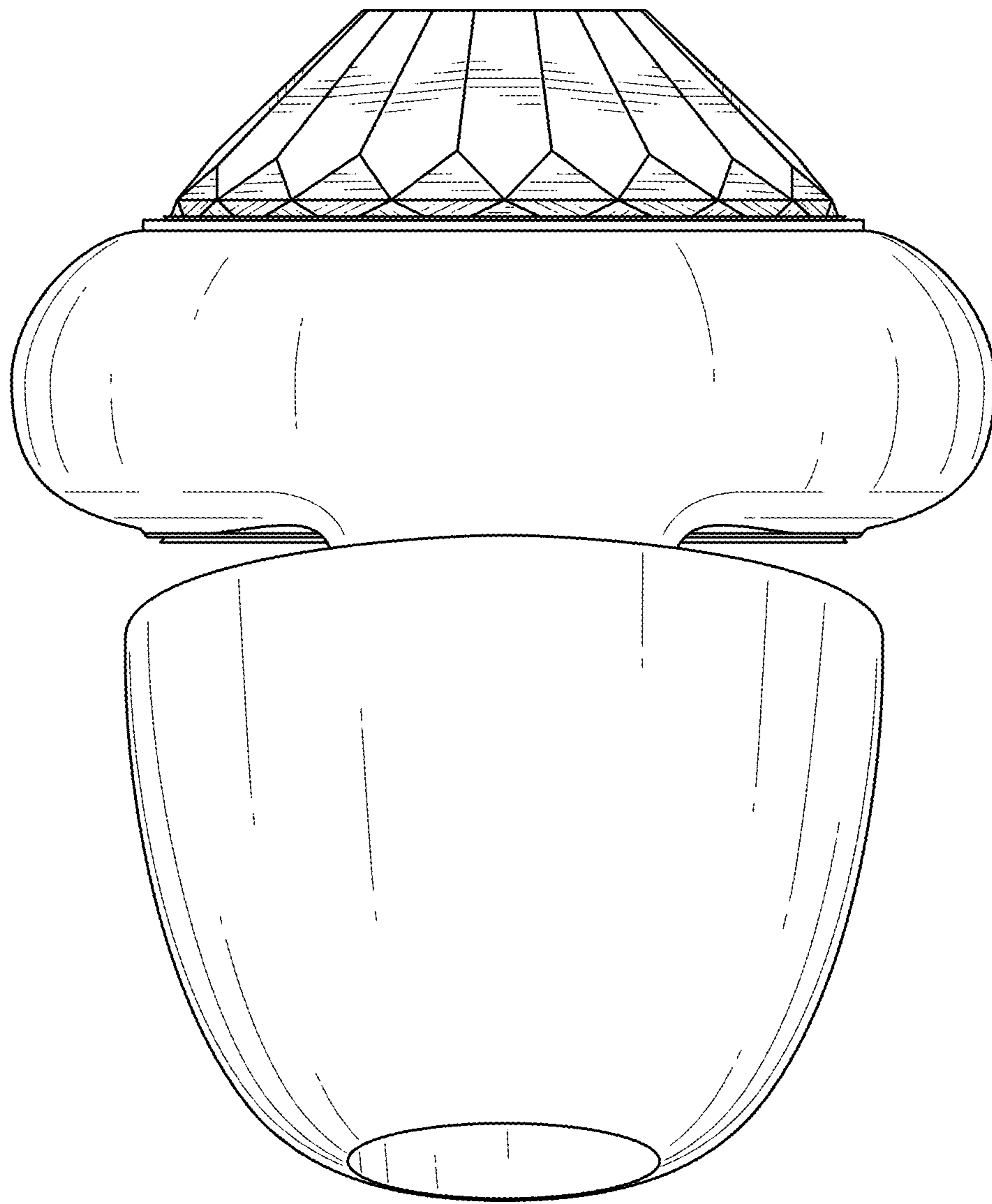


FIG. 6

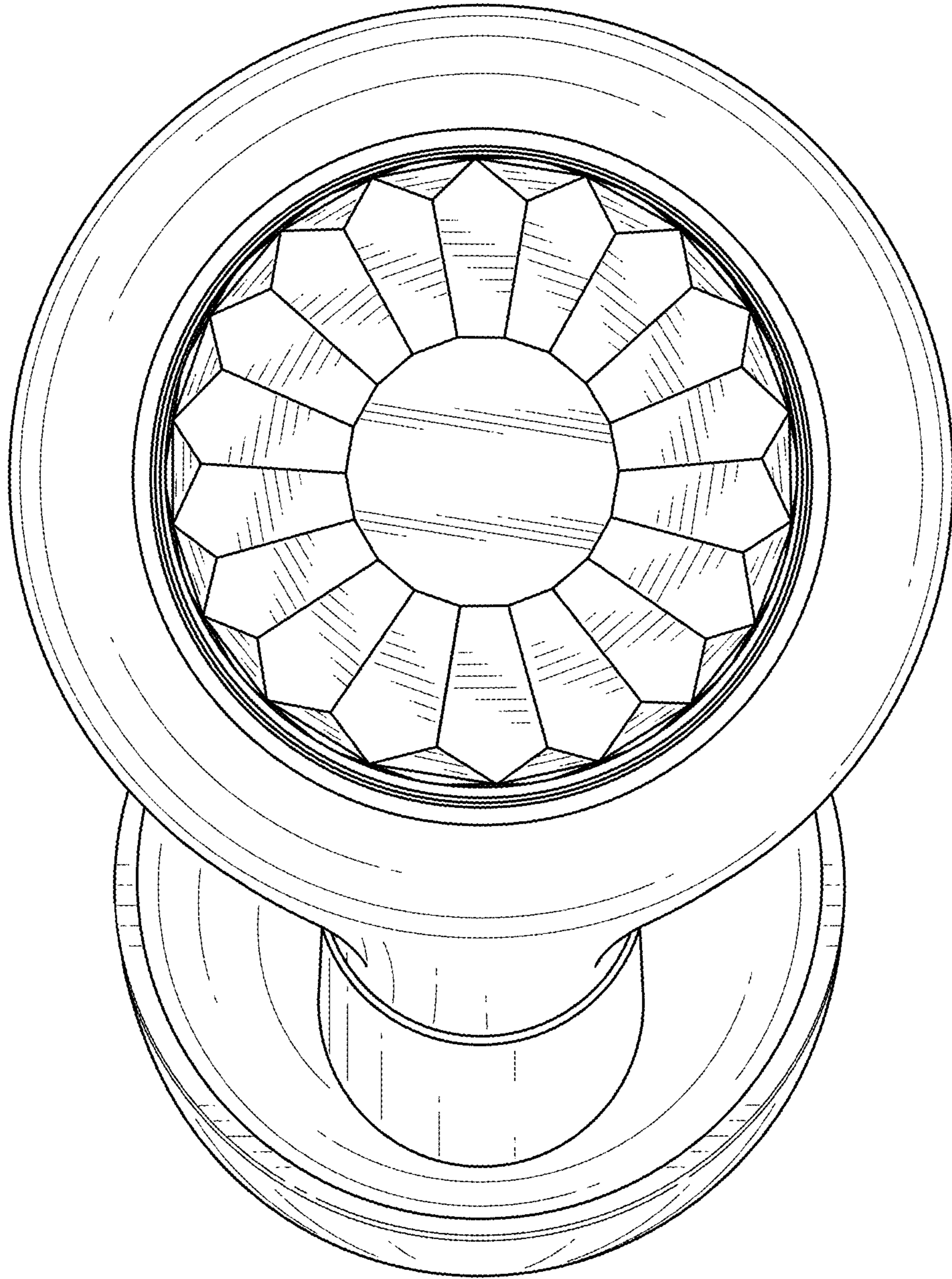


FIG. 7

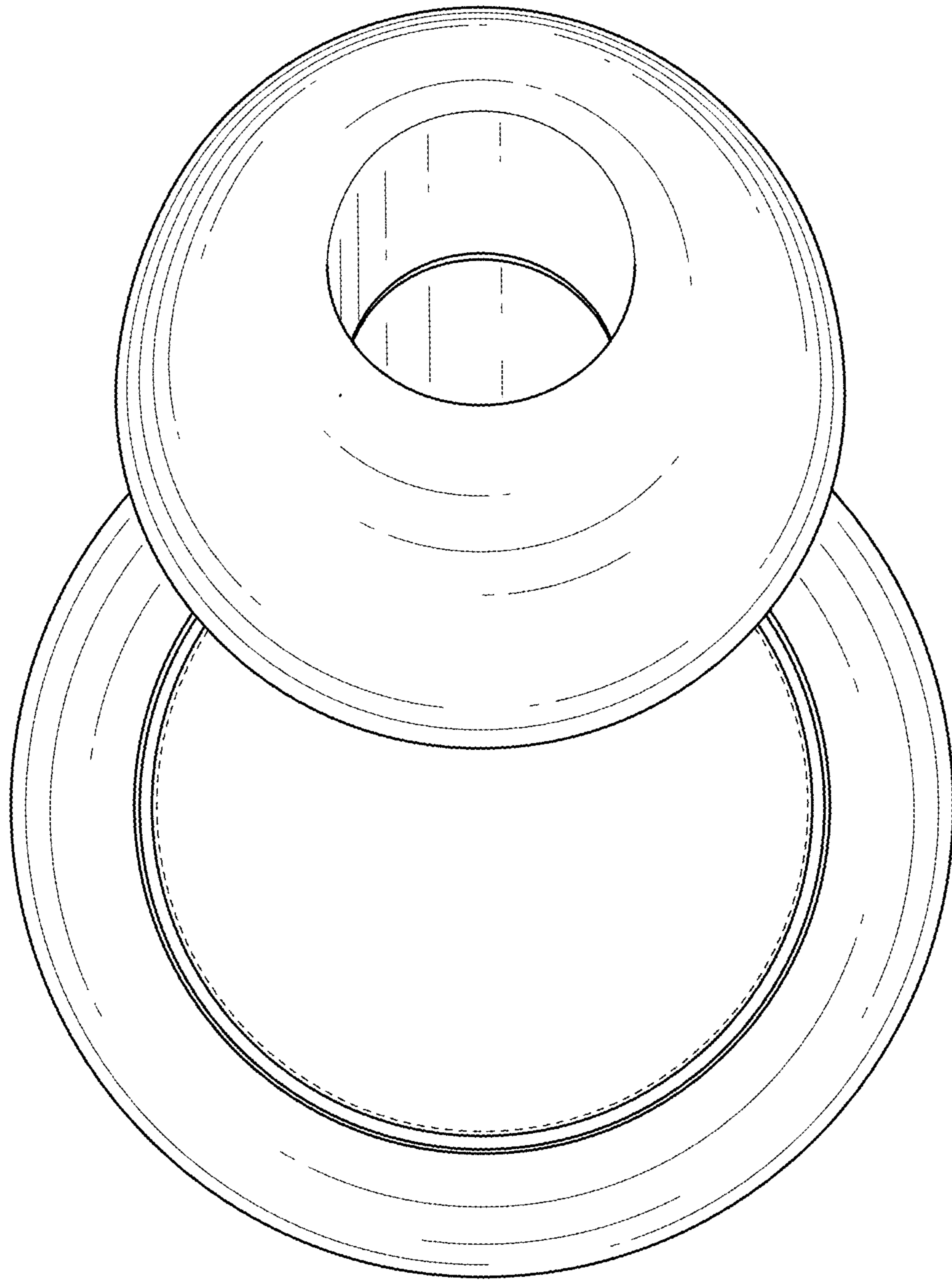


FIG. 8