



US0D1124253S

(12) **United States Design Patent**  
**Hartis**

(10) **Patent No.:** **US D1,124,253 S**

(45) **Date of Patent:** **\*\* Apr. 28, 2026**

(54) **FAUCET**

(71) Applicant: **DELTA FAUCET COMPANY,**  
Indianapolis, IN (US)

(72) Inventor: **Peyton Michele Hartis,** Sachse, TX  
(US)

(73) Assignee: **DELTA FAUCET COMPANY,**  
Indianapolis, IN (US)

(\*\*) Term: **15 Years**

(21) Appl. No.: **29/972,882**

(22) Filed: **Nov. 13, 2024**

(51) **LOC (15) Cl.** ..... **23-01**

(52) **U.S. Cl.**  
USPC ..... **D23/238**

(58) **Field of Classification Search**  
USPC ..... D23/238–258, 213, 223, 224, 226  
CPC ..... E03C 1/0404; E03C 1/08; E03C 1/021;  
E03C 1/04; E03C 2001/0415; E03C  
2001/0414; E03C 2201/30; E03C 1/042;  
E03C 1/057; E03C 1/182; E03C 2201/50;  
Y10T 137/9464; B05B 1/22  
See application file for complete search history.

(56) **References Cited**

**U.S. PATENT DOCUMENTS**

D366,099 S *	1/1996	Hill	.....	D23/255
D472,308 S *	3/2003	Hundley	.....	D23/257
D524,426 S *	7/2006	Sallick	.....	D23/255
D534,245 S *	12/2006	Egli	.....	D23/238
D580,527 S *	11/2008	Zhang	.....	D23/255
D582,525 S *	12/2008	Downey	.....	D23/255
D607,974 S *	1/2010	Flowers	.....	D23/255
D635,220 S *	3/2011	Rubin	.....	D23/238
D635,648 S *	4/2011	Schoenherr	.....	D23/255
D639,394 S *	6/2011	Citterio	.....	D23/238
D713,016 S *	9/2014	Citterio	.....	D23/255
D754,296 S *	4/2016	Lord	.....	D23/238

D754,825 S *	4/2016	Lord	.....	D23/255
D767,731 S *	9/2016	Rexach	.....	D23/238
D788,270 S *	5/2017	Hong	.....	D23/238
D820,400 S *	6/2018	Eads	.....	D23/238
D846,077 S *	4/2019	Liu	.....	D23/238
D870,865 S *	12/2019	Eads	.....	D23/255
D877,863 S *	3/2020	Rockwell	.....	D23/255
D883,441 S *	5/2020	Carr	.....	D23/242
D890,306 S *	7/2020	Potter	.....	D23/242
D902,357 S *	11/2020	Eads	.....	D23/255
D905,202 S *	12/2020	Zhang	.....	D23/238
D914,147 S *	3/2021	Flaig	.....	D23/238

(Continued)

**OTHER PUBLICATIONS**

Gessi—Inciso collection highlight, announced in YouTube on Jul. 8, 2021[online], frame(s) [0:01/5:26] [site visited Nov. 12, 2025], Available from the internet URL: <https://www.youtube.com/watch?v=XQkFL9bVwOY> (Year: 2021).\*

*Primary Examiner* — George J Ulsh

*Assistant Examiner* — Kathryn Elizabeth Zieno

(74) *Attorney, Agent, or Firm* — Jeffrey L. Doyle

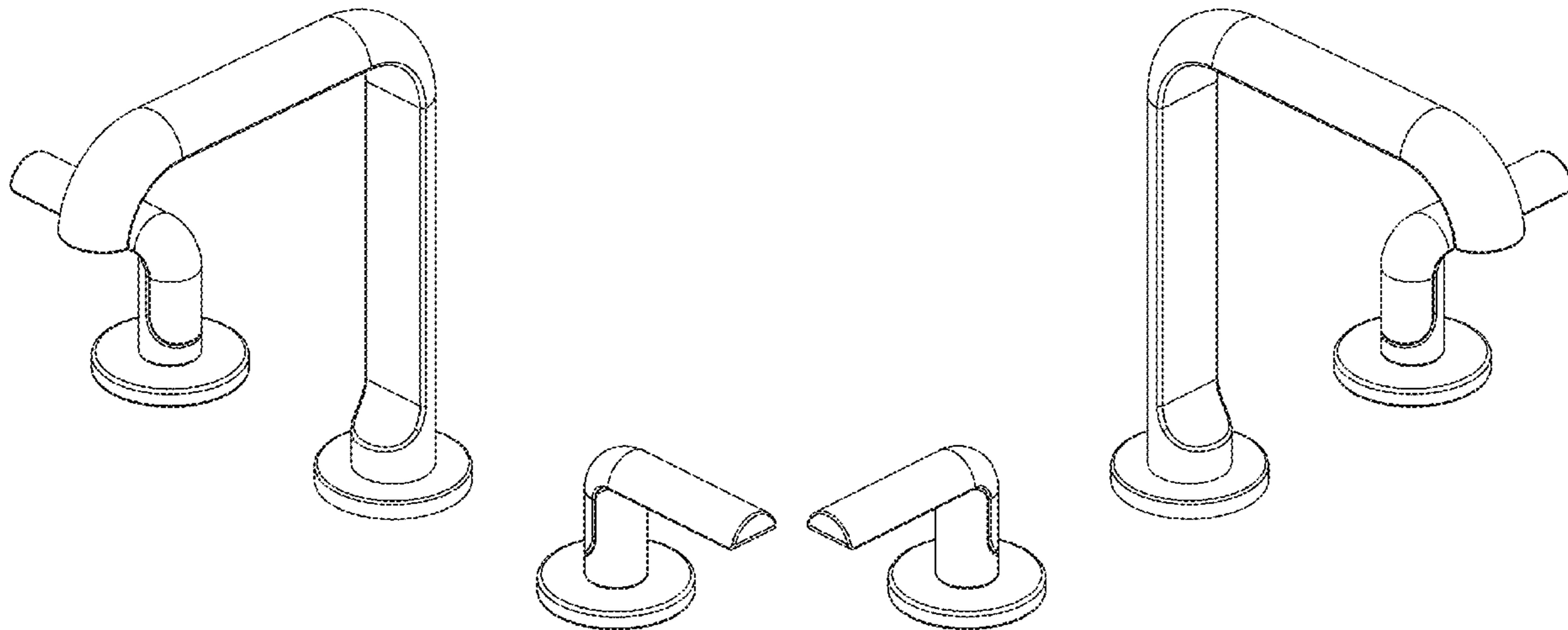
(57) **CLAIM**

The ornamental design for a faucet as shown and described.

**DESCRIPTION**

FIG. 1 is a front perspective view of a faucet showing my new design;  
FIG. 2 is another front perspective view thereof;  
FIG. 3 is a front elevational view thereof;  
FIG. 4 is a rear view thereof;  
FIG. 5 is a right side view thereof;  
FIG. 6 is a left side view thereof;  
FIG. 7 is a top plan view thereof; and,  
FIG. 8 is a bottom view thereof.  
The broken lines in the drawings denote the boundaries of the claim and form no part thereof.

**1 Claim, 4 Drawing Sheets**



(56)

**References Cited**

## U.S. PATENT DOCUMENTS

D919,054	S	*	5/2021	Stoler	.....	D23/242
D922,538	S	*	6/2021	Park	.....	D23/252
D944,929	S	*	3/2022	Park	.....	D23/242
D944,935	S	*	3/2022	Park	.....	D23/242
D946,123	S	*	3/2022	Park	.....	D23/242
D952,106	S	*	5/2022	Park	.....	D23/255
D954,191	S	*	6/2022	Park	.....	D23/238
D954,227	S	*	6/2022	Park	.....	D23/255
D969,977	S	*	11/2022	Garland	.....	D23/255
D982,724	S	*	4/2023	Stoler	.....	D23/255
D986,385	S	*	5/2023	Garland	.....	D23/238
D991,408	S	*	7/2023	L'Henaff	.....	D23/242
D993,364	S	*	7/2023	Stoler	.....	D23/255
D994,079	S	*	8/2023	Garland	.....	D23/242
D994,080	S	*	8/2023	Garland	.....	D23/242
D994,085	S	*	8/2023	Garland	.....	D23/255
D996,573	S	*	8/2023	Garland	.....	D23/238
D1,012,540	S	*	1/2024	Stoler	.....	D23/255
D1,013,124	S	*	1/2024	Garland	.....	D23/255
D1,019,900	S	*	3/2024	Laczak	.....	D23/242
D1,029,199	S	*	5/2024	Laczak	.....	D23/242
D1,042,752	S	*	9/2024	Oesterle	.....	D23/255
D1,047,086	S	*	10/2024	Zhen	.....	D23/238
D1,061,808	S	*	2/2025	Chen	.....	D23/241
D1,066,588	S	*	3/2025	Hartis	.....	D23/242
D1,067,380	S	*	3/2025	Hartis	.....	D23/238
D1,068,035	S	*	3/2025	Hartis	.....	D23/255
D1,070,018	S	*	4/2025	Park Borris	.....	D23/255
D1,073,868	S	*	5/2025	Hartis	.....	D23/238
D1,073,872	S	*	5/2025	Hartis	.....	D23/242
D1,076,022	S	*	5/2025	Hartis	.....	D23/242

\* cited by examiner

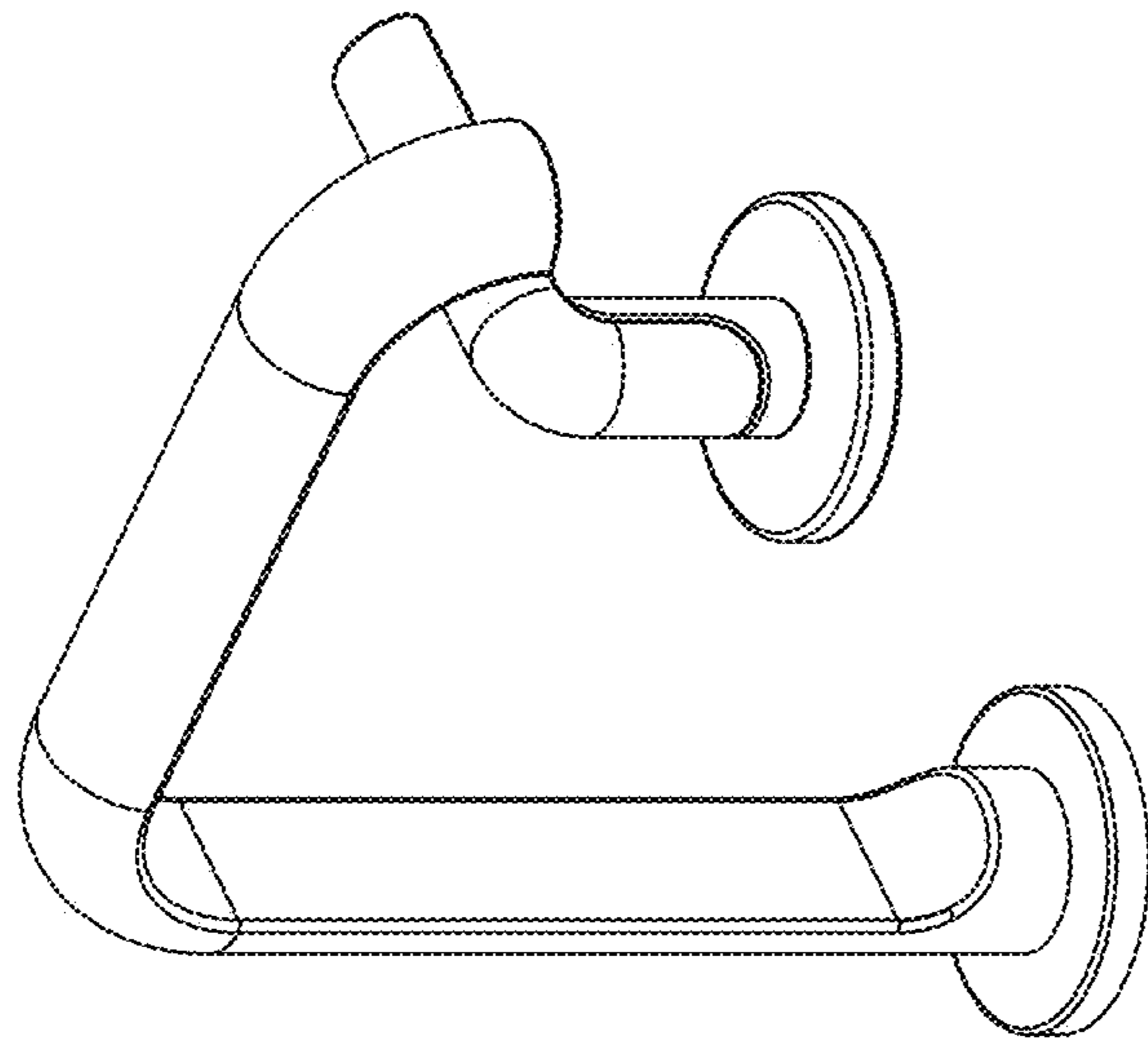


FIG. 2

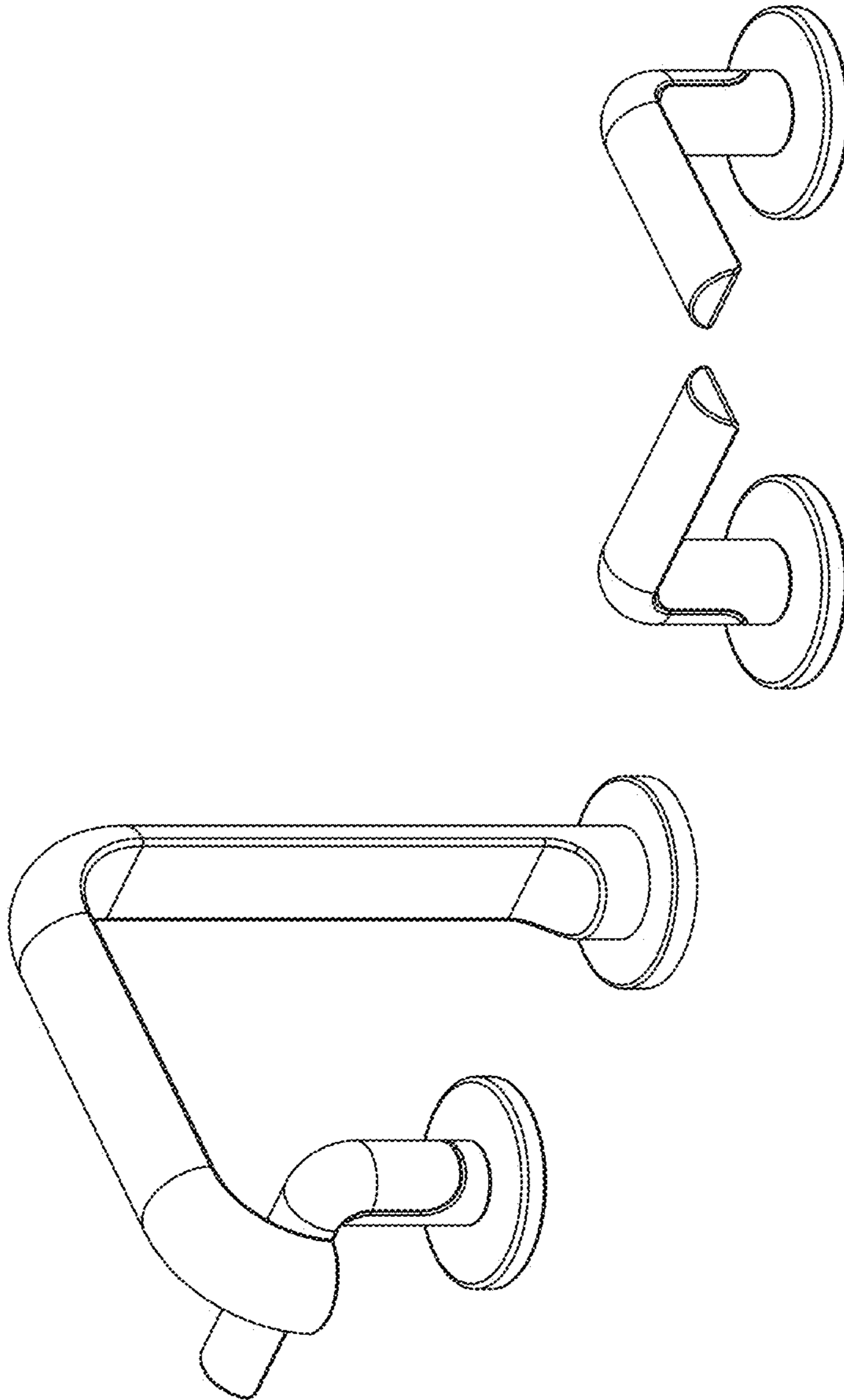


FIG. 1

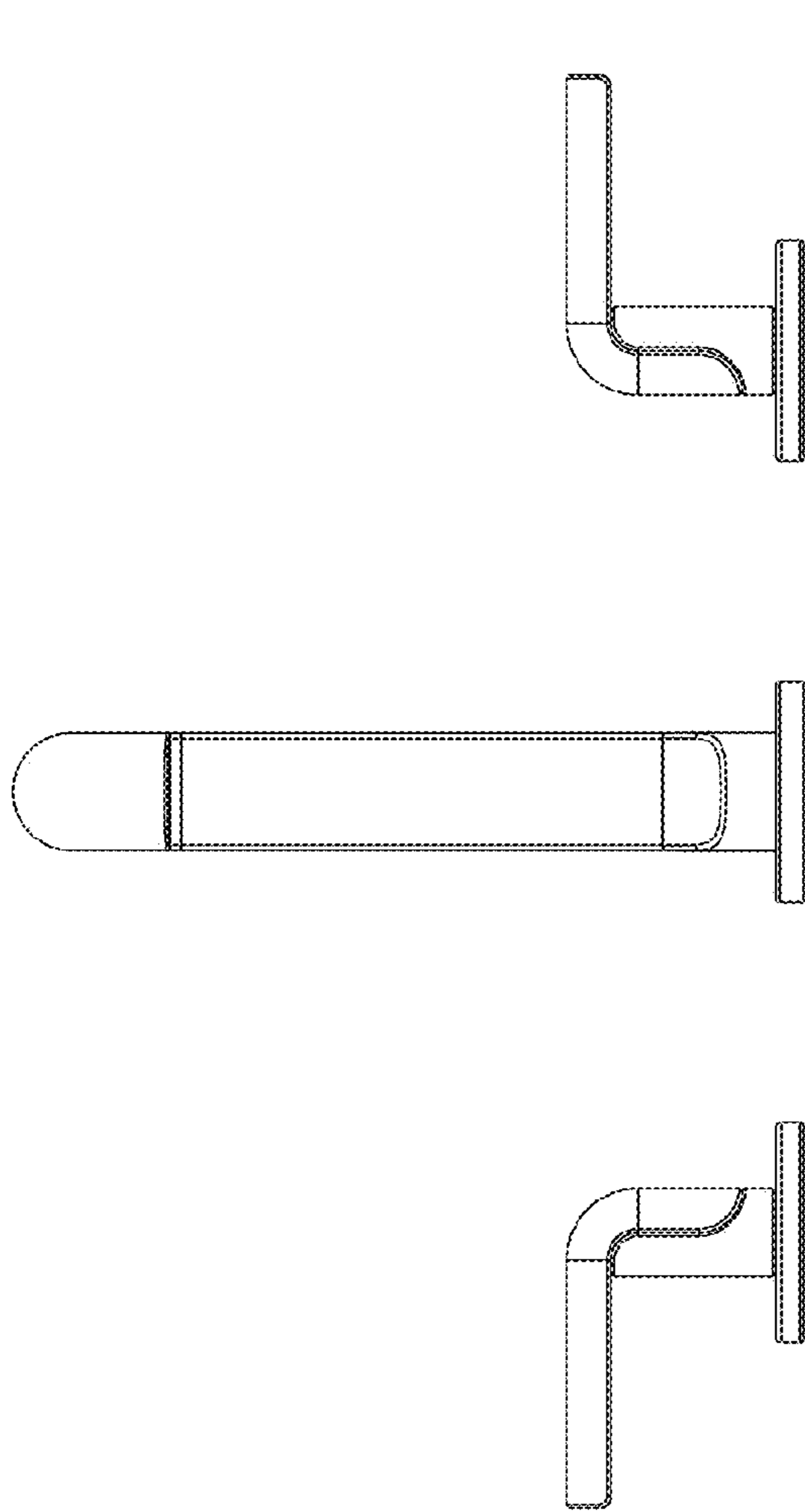


FIG. 3

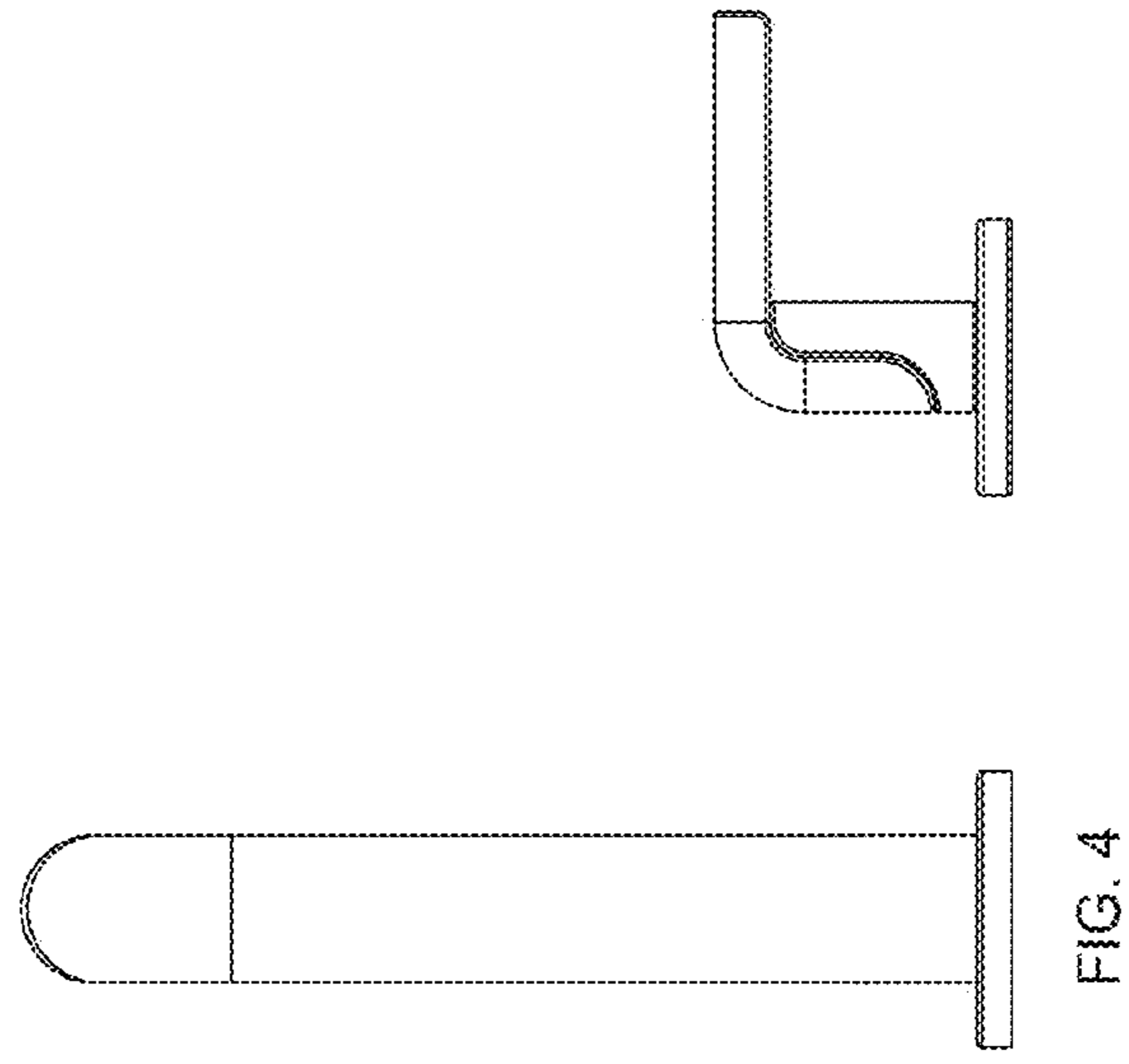


FIG. 4

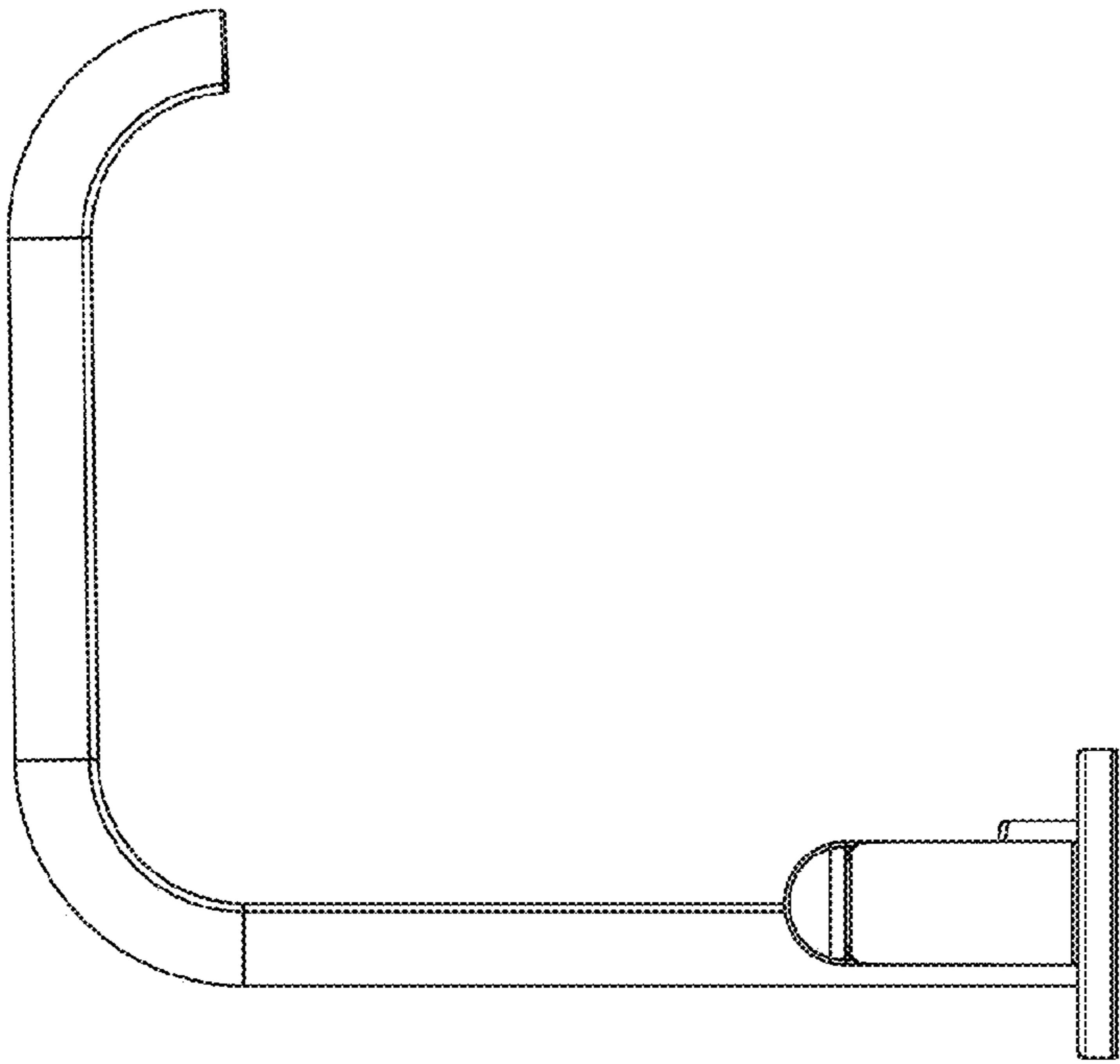


FIG. 5

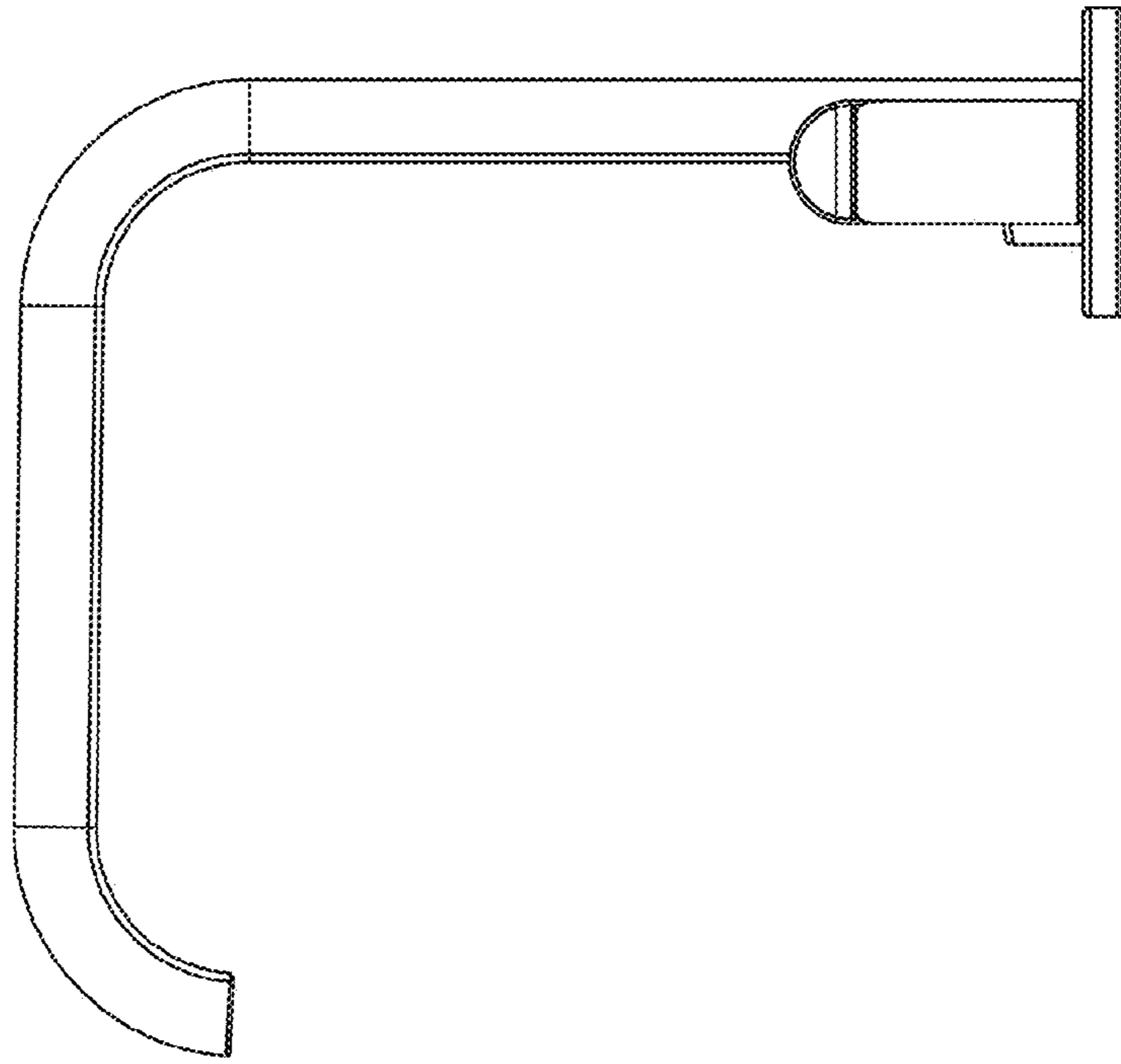


FIG. 6

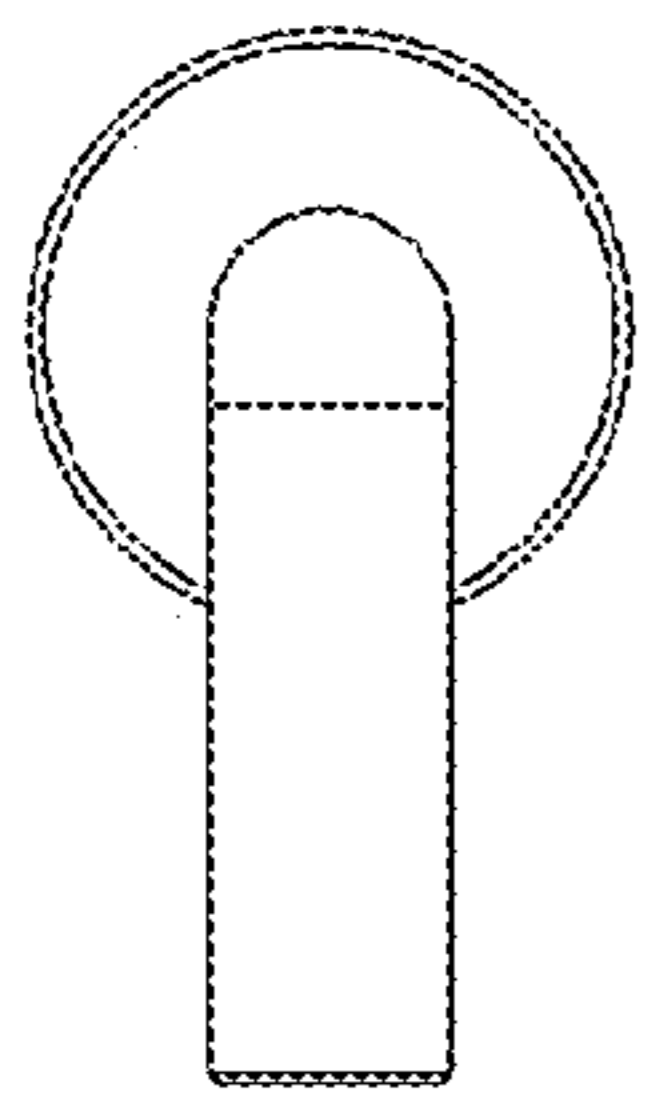
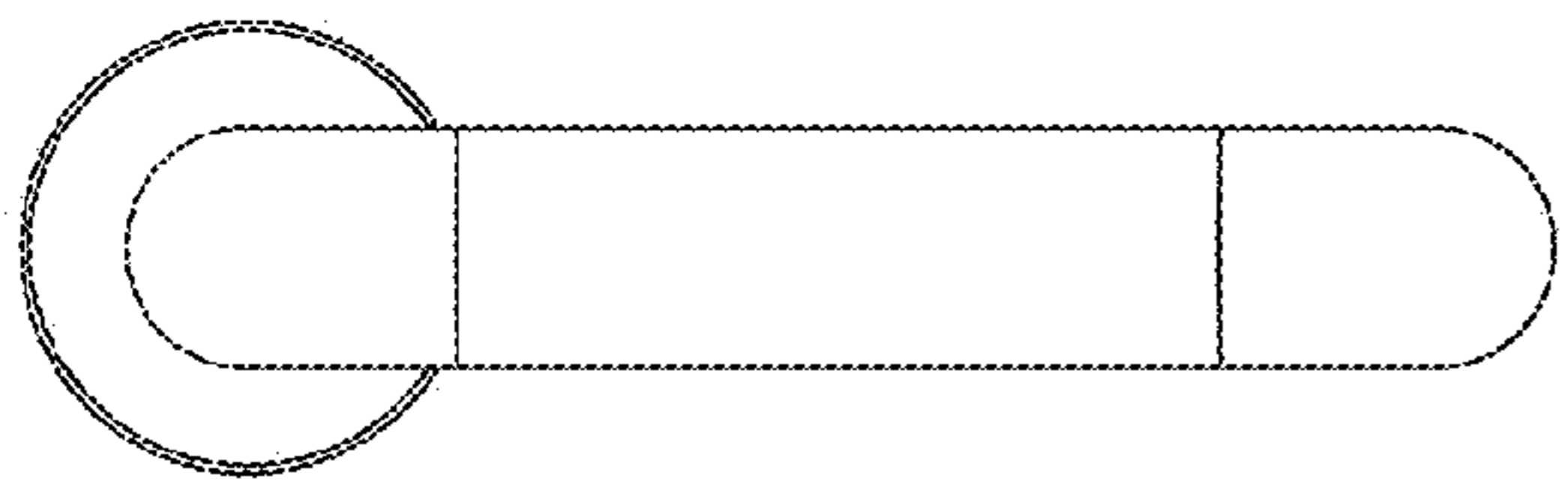
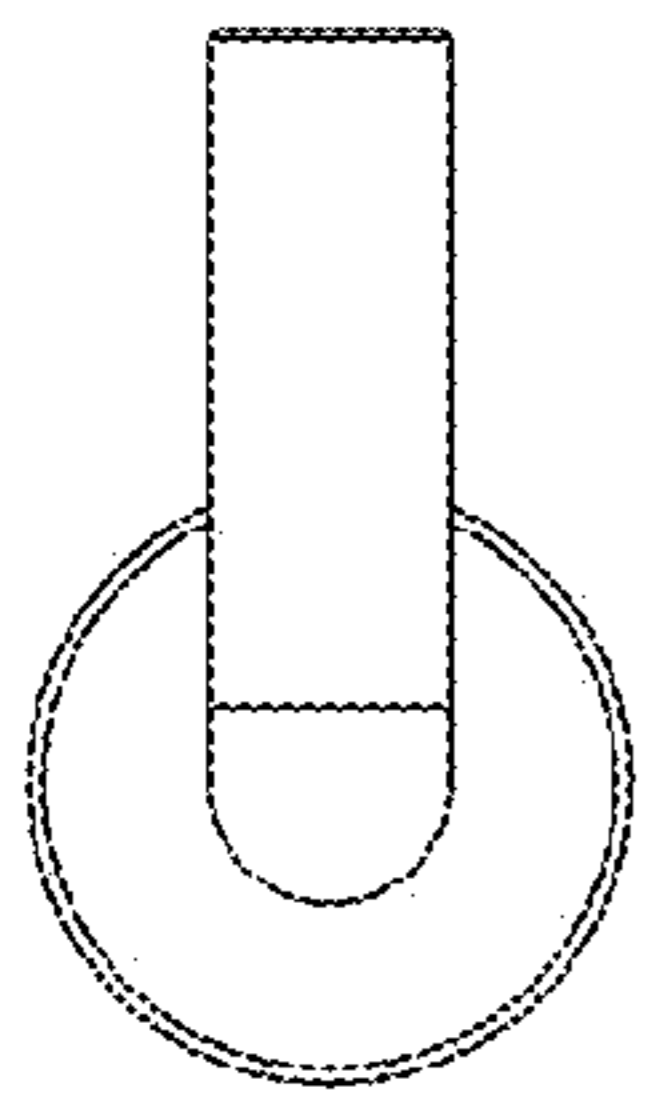


FIG. 7

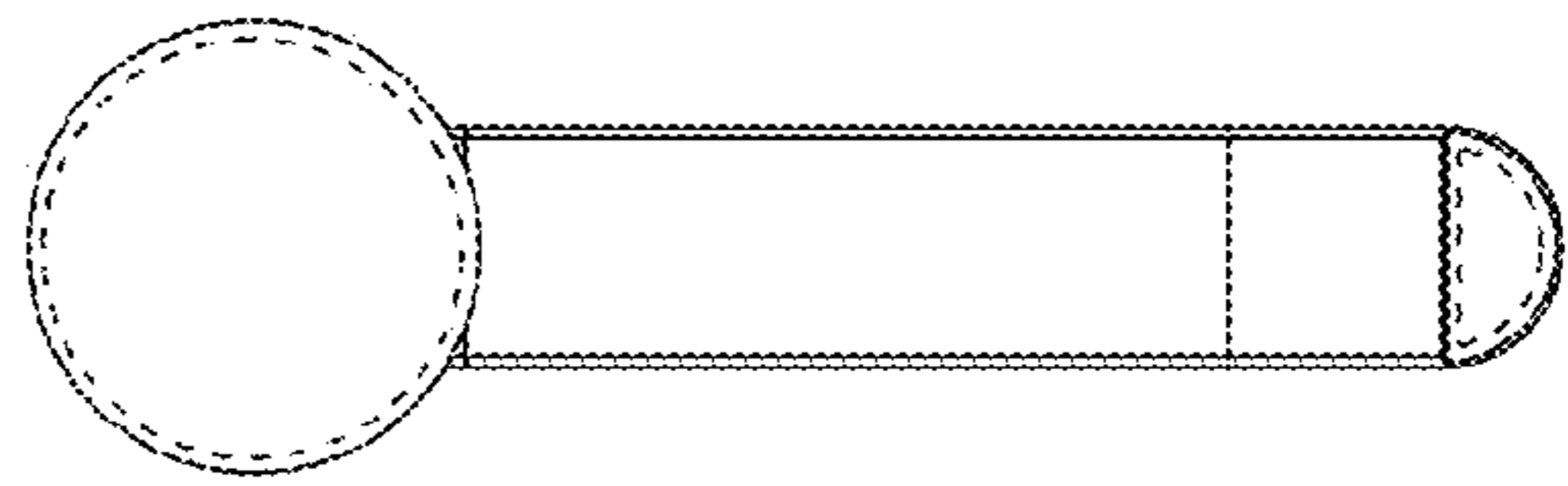
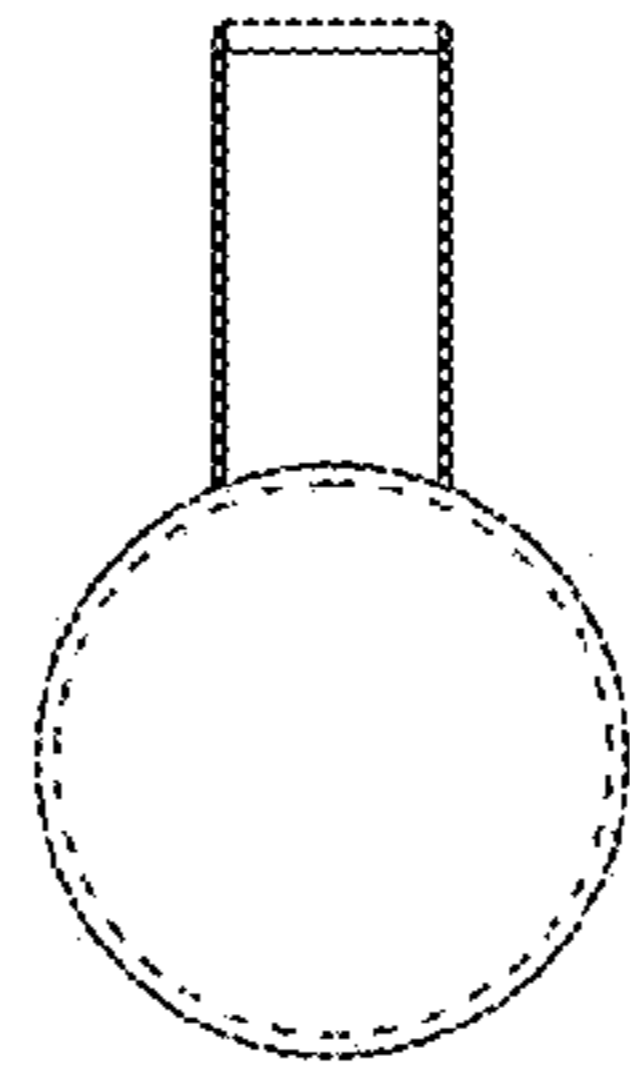


FIG. 8

