



US0D1124179S

(12) **United States Design Patent** (10) **Patent No.:** **US D1,124,179 S**  
**Hagler et al.** (45) **Date of Patent:** **\*\* Apr. 28, 2026**

(54) **MODEL VEHICLE WHEEL**  
(71) Applicant: **TRAXXAS, L.P.**, McKinney, TX (US)  
(72) Inventors: **Skylar Hagler**, Anna, TX (US); **Jory Sprowl**, Howe, TX (US); **Otto Karl Allmendinger**, Rowlett, TX (US); **Adam Cole Ewing**, McKinney, TX (US); **Kent Poteet**, Lucas, TX (US)

D221,934 S 9/1971 Main et al.  
D223,534 S 5/1972 Reid  
D224,101 S 7/1972 Richter  
(Continued)

**FOREIGN PATENT DOCUMENTS**

CN 304967598 12/2018  
DE 402017100863-0001 7/2018  
(Continued)

(73) Assignee: **TRAXXAS, L.P.**, McKinney, TX (US)  
(\*\*) Term: **15 Years**

**OTHER PUBLICATIONS**

“Ridiculously Easy RC Drift Car! Traxxas 4-Tec” Jul. 17, 2024, Youtube, site visited Jan. 16, 2025: <https://www.youtube.com/watch?v=v-9PMyc9pk> (Year: 2024).\*  
(Continued)

(21) Appl. No.: **29/936,810**  
(22) Filed: **Apr. 10, 2024**  
(51) **LOC (15) Cl.** ..... **21-02**  
(52) **U.S. Cl.**  
USPC ..... **D21/563**; D12/209  
(58) **Field of Classification Search**  
USPC ..... D12/86, 90–92, 181–184, 196, 206, 400, D12/209; D21/424, 433, 533, 548, 549, D21/551, 563; D11/125, 163  
CPC ..... F21S 41/43; B62D 25/00; B62D 25/02; B62D 25/06; B62D 35/00; B62D 35/005; B62D 35/007; B62D 35/008; B62D 35/02; B60B 7/00; B60B 7/01; B60B 7/02; B60B 7/04; B60B 7/06; B60B 3/02; B60B 3/04; B60B 3/06; B60B 3/10; B60B 1/00; B60B 1/08; B60B 1/10; B60B 1/12

*Primary Examiner* — Erich G Herbermann  
*Assistant Examiner* — Salamah Jordan  
(74) *Attorney, Agent, or Firm* — Daryl R. Wright; Greg Carr

(57) **CLAIM**  
The ornamental design for a model vehicle wheel as shown and described.

**DESCRIPTION**

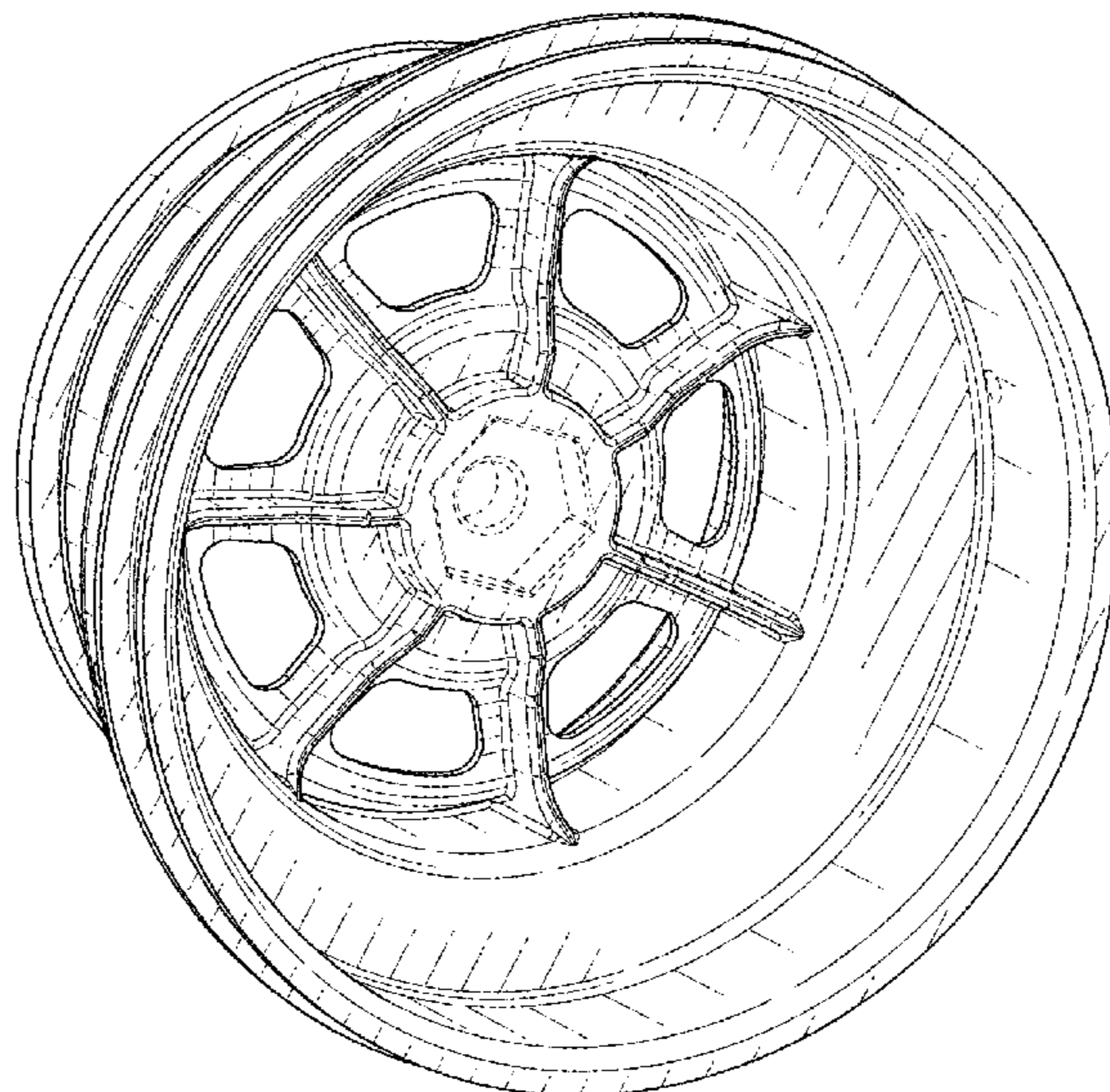
FIG. 1 is an upper, right, front perspective view of a model vehicle wheel showing our new design;  
FIG. 2 is an upper, left, rear perspective view thereof;  
FIG. 3 is a lower, left, front perspective view thereof;  
FIG. 4 is a lower, right, rear perspective view thereof;  
FIG. 5 is a front elevation view thereof;  
FIG. 6 is a rear elevation view thereof;  
FIG. 7 is a right-side elevation view thereof;  
FIG. 8 is a left-side elevation view thereof;  
FIG. 9 is an upper plan view thereof; and,  
FIG. 10 is a lower plan view of the model vehicle wheel.  
In the drawings, the broken lines illustrate portions of the model vehicle wheel that form no part of the claimed design.

See application file for complete search history.

(56) **References Cited**  
**U.S. PATENT DOCUMENTS**

1,978,026 A 10/1934 Miller  
D206,873 S 2/1967 Reid  
D207,951 S 6/1967 Hibbard  
D213,314 S 2/1969 Reid  
D213,315 S 2/1969 Reid

**1 Claim, 5 Drawing Sheets**



(56)

References Cited

U.S. PATENT DOCUMENTS

D226,376 S 2/1973 Main et al.  
 3,767,267 A 10/1973 Clement  
 D231,656 S 5/1974 Ishibashi  
 D237,067 S 10/1975 Sandberg  
 D252,564 S 8/1979 Harty, Jr.  
 D333,648 S 3/1993 Schwenk  
 D361,546 S 8/1995 Weld  
 D373,562 S 9/1996 Cole  
 D412,020 S 7/1999 McCormick  
 D420,637 S 2/2000 Glade  
 6,089,671 A 7/2000 Iacovelli et al.  
 D436,910 S 1/2001 Hale, Jr.  
 D444,118 S 6/2001 Chung  
 D458,564 S \* 6/2002 Lin ..... D21/563  
 D469,728 S 2/2003 Kataoka  
 D470,449 S 2/2003 Bernoni  
 D481,982 S 11/2003 Takechi  
 D488,760 S 4/2004 Kato  
 D492,234 S 6/2004 Kataoka  
 D499,683 S 12/2004 Kushartanto  
 D500,006 S 12/2004 Cahyono  
 D504,650 S 5/2005 Ishiwata  
 D530,757 S 10/2006 Jones  
 D534,968 S 1/2007 Proch  
 D536,293 S 2/2007 Brouillette et al.  
 D543,493 S 5/2007 Kim  
 D546,264 S 7/2007 Young  
 7,246,860 B1 \* 7/2007 Seitz ..... B60B 7/0046  
 301/37.108  
 D569,778 S 5/2008 Kim  
 D579,398 S 10/2008 Kim  
 D582,827 S 12/2008 Musser  
 D583,292 S 12/2008 Chung  
 D587,181 S 2/2009 Musser  
 D590,315 S 4/2009 Chung  
 D590,322 S 4/2009 Rak  
 D595,631 S 7/2009 Musser  
 D603,778 S 11/2009 Chung  
 D614,108 S 4/2010 Varga  
 D619,072 S 7/2010 Gallert  
 D620,864 S 8/2010 Groom  
 D624,477 S 9/2010 McMath  
 D628,137 S 11/2010 Groom  
 D633,028 S 2/2011 Kim  
 D639,221 S 6/2011 Johnson  
 D662,021 S 6/2012 Grossenbacher  
 D662,868 S 7/2012 Furst et al.  
 D663,668 S 7/2012 Pollmann  
 D664,909 S 8/2012 Williams  
 D670,227 S 11/2012 Chung  
 D671,875 S 12/2012 Camacho et al.  
 D680,938 S 4/2013 Hale, Jr.  
 D688,188 S 8/2013 Baum  
 D695,193 S 12/2013 Kong  
 D697,008 S 1/2014 Juergens et al.  
 D697,010 S 1/2014 Lorinser  
 D705,154 S 5/2014 Harriton  
 D719,893 S \* 12/2014 Kim ..... D12/209  
 D721,999 S 2/2015 Alemany et al.  
 D722,545 S 2/2015 Chung  
 D722,937 S 2/2015 Johnson  
 D725,567 S 3/2015 George et al.  
 D726,620 S 4/2015 Lickliter  
 D727,822 S 4/2015 Wheel  
 D727,829 S 4/2015 Chung  
 D730,799 S 6/2015 Hans et al.  
 D733,025 S 6/2015 Chung  
 D733,631 S 7/2015 Dionisopoulos et al.  
 D739,323 S 9/2015 Kermelk et al.  
 D741,240 S 10/2015 Melabiotis et al.  
 D753,048 S 4/2016 Chan  
 D753,571 S 4/2016 Juergens et al.  
 D758,944 S 6/2016 Rolfs et al.  
 D783,495 S \* 4/2017 Hale, Jr. .... D12/209  
 D856,249 S \* 8/2019 Haney ..... D12/209

D860,905 S \* 9/2019 Tran ..... D12/209  
 D902,115 S \* 11/2020 Han ..... D12/209  
 D902,116 S \* 11/2020 Han ..... D12/209  
 D910,524 S \* 2/2021 Han ..... D12/209  
 D913,894 S \* 3/2021 Lee ..... D12/209  
 D913,897 S \* 3/2021 VanRyn ..... D12/209  
 D922,295 S \* 6/2021 Grand ..... D12/209  
 D926,099 S \* 7/2021 Yeh ..... D12/209  
 D936,556 S \* 11/2021 Sempek ..... D12/209  
 D937,736 S \* 12/2021 Podlovits ..... D12/208  
 D941,728 S \* 1/2022 Kleinschuster ..... D12/209  
 D942,348 S \* 2/2022 Kleinschuster ..... D12/209  
 D944,335 S \* 2/2022 Sprowl ..... D21/563  
 D949,982 S \* 4/2022 Sprowl ..... D21/563  
 D961,481 S \* 8/2022 Tran ..... D12/209  
 D966,984 S \* 10/2022 Carbis ..... D12/209  
 D969,702 S \* 11/2022 Sempek ..... D12/208  
 D995,392 S \* 8/2023 Narciso ..... D12/209  
 D997,820 S \* 9/2023 Ricehouse ..... D12/209  
 D997,831 S \* 9/2023 Harriton ..... D21/563  
 D1,002,480 S \* 10/2023 Hans ..... D12/209  
 D1,009,747 S \* 1/2024 Williams ..... D12/204  
 D1,014,385 S \* 2/2024 Collins ..... D21/563  
 D1,017,499 S \* 3/2024 Han ..... D12/209  
 D1,018,419 S \* 3/2024 Badstuebner ..... D21/563  
 D1,018,420 S \* 3/2024 Badstuebner ..... D21/563  
 D1,020,594 S \* 4/2024 Badstuebner ..... D12/209  
 D1,028,837 S \* 5/2024 Xi ..... D12/209  
 D1,040,935 S \* 9/2024 Ewing ..... D12/209  
 D1,059,501 S \* 1/2025 Hagler ..... D21/563  
 D1,062,573 S \* 2/2025 Hix ..... D12/209  
 2020/0247179 A1 \* 8/2020 Christensen ..... B60B 7/04  
 2021/0291586 A1 \* 9/2021 Wallace ..... B60B 7/12

FOREIGN PATENT DOCUMENTS

EM 005817137-0004 11/2018  
 GB 6258137 2/2023  
 JP D1642070 9/2019

OTHER PUBLICATIONS

“Precise Drifting | @Traxxas 4-Tec® Drift” Jul. 17, 2024, Youtube, site visited Jan. 16, 2026: <https://www.youtube.com/watch?v=u6lp5Y4tcXA> (Year: 2024).\*

“#1 Miniature Ford Mustang GT500” Nov. 11, 2023, Youtube, site visited Jan. 16, 2026: [https://www.youtube.com/shorts/93g7e\\_qRn2E](https://www.youtube.com/shorts/93g7e_qRn2E) (Year: 2023).\*

“Aero Wheels 50-174530 50 Series Roll-Formed Race Wheel” Feb. 4, 2019, Amazon, site visited Jan. 22, 2026: [https://www.amazon.com/Aero-Wheels-50-174530-Roll-Formed-Wheel/dp/B07ND3H4WG/ref=pd\\_day0\\_d\\_scll\\_2\\_5/146-4822964-3582728?](https://www.amazon.com/Aero-Wheels-50-174530-Roll-Formed-Wheel/dp/B07ND3H4WG/ref=pd_day0_d_scll_2_5/146-4822964-3582728?) (Year: 2019).\*

“RockTrix RT114 17 inch Wheel Compatible” Sep. 13, 2023, Amazon, site visited Jan. 22, 2026: [https://www.amazon.com/RockTrix-Compatible-Ranger-Wheels-6x139-7/dp/B0CHXMTM9/ref=pd\\_ci\\_mcx\\_di\\_int\\_sccai\\_on\\_d\\_scll\\_2\\_14/146-4822964-3582728?pd\\_rd\\_w=9vllm&](https://www.amazon.com/RockTrix-Compatible-Ranger-Wheels-6x139-7/dp/B0CHXMTM9/ref=pd_ci_mcx_di_int_sccai_on_d_scll_2_14/146-4822964-3582728?pd_rd_w=9vllm&) (Year: 2023).\*

OMF Performance Products; Beadlocked Wheels; [https://www.omfperformance.com/beadlocked\\_wheels\\_uq.php](https://www.omfperformance.com/beadlocked_wheels_uq.php); Aug. 2016.

Rick, “Great wheels!” Jan. 24, 2019 (review with photo), amazon.com, site visited Dec. 14, 2021, URL: <https://www.amazon.com/dp/B07MH4GW4G/?th=1> (Year: 2019).

“Traxxas 8472 Desert Racer Wheels,” May 16, 2018, amazon.ca, site visited Dec. 14, 2021, URL: [https://www.amazon.ca/Traxxas-8472-Desert-Wheels-Bfgoodrich/dp/B07B6TS9B2/ref=sr\\_1\\_75?keywords=traxxas+wheels&qid=1639489322&sr=8-75](https://www.amazon.ca/Traxxas-8472-Desert-Wheels-Bfgoodrich/dp/B07B6TS9B2/ref=sr_1_75?keywords=traxxas+wheels&qid=1639489322&sr=8-75) (Year: 2018).

Slot Car Racing Wheel Store, posted xx/xx/xx [online], [retrieved Nov. 14, 2023]. Retrieved from internet, <https://www.dancingbearscaledcomponents.com/125-slot-car-racing-wheels> (Year: 2023).

Traxxas XRT Wheels (Race Black) (2), as shown in [www.hobbytown.com](http://www.hobbytown.com), May 22, 2023, Part # TRA7874. (Year: 2023).

Traxxas Method 105 1.9" Beadlock Wheels (Black Chrome) (2), as shown in [www.hobbytown.com](http://www.hobbytown.com), Jun. 15, 2018, Part # TRA8173. (Year: 2018).

(56)

**References Cited**

## OTHER PUBLICATIONS

Vanquish Products Method 105 1.9" Beadlock Crawler Wheels (Black/Silver) (2), as shown in [www.hobbytown.com](http://www.hobbytown.com), Mar. 28, 2016, Part # VPS07911. (Year: 2016).

RCAWD Full Brass 1.0 Beadlock Wheel Rim & Wheel Lock Nut for Axial 1/24 SCX24 AX24 Upgrades Part, as shown in [www.amazon.com](http://www.amazon.com), no date listed, date found Jun. 24, 2024, ASIN B0D2DFR1FM. (Year: 2024).

RT51 Black Daytona Beadlock, as shown in [www.racelinewheels.com](http://www.racelinewheels.com), no date listed, date found Jun. 24, 2024. (Year: 2024).

Injora 1.3 Beadlock Wheel Rims—Aluminum Wheel Rims 23g for SCX24 TRX4M Upgrade 1/24 1/18 RC Crawler Car (Black), as shown in [www.amazon.com](http://www.amazon.com), Feb. 8, 2024, ASIN B0CQ8FS58X. (Year: 2024).

Globact Aluminum 1.9 Inch Beadlock Wheels RC Wheel Rim Set Wheel Hub for 1/10 RC Crawler TRX4 TRX6 Axial SCX10 I II III 90046 AXI103007 Redcat GEN7 GEN8 RC4WD D90 12mm Hex (4Pcs Black Grey), as shown in [www.amazon.com](http://www.amazon.com), Jul. 4, 2022, ASIN B09WHLLJ29. (Year: 2022).

Pro-Line Slot Mag Drag Spec 2.2"/3.0" Grey Rear Wheels Euro RC, posting date N/A [online], [retrieved Apr. 16, 2024]. Retrieved from internet, <https://www.eurorc.com/product/32902/pro-line-slot-mag-drag-spec-2230-grey-rear-wheels---sc-drag---2> (Year: 2024).

Indy US Mags, posting date N/A [online], [retrieved Apr. 16, 2024]. Retrieved from internet, <https://www.us-mags.com/us-mag-1pc-indy> (Year: 2024).

Traxxas Wheels 1.0In Satin Chrome, HobbyTown, Published date unavailable [online], [retrieved on Dec. 8, 2024]. Retrieved from the Internet: <https://www.hobbytown.com/traxxas-wheels-1.0in-satin-chrome-tra9869/p1522522> (Year: 2024).

\* cited by examiner

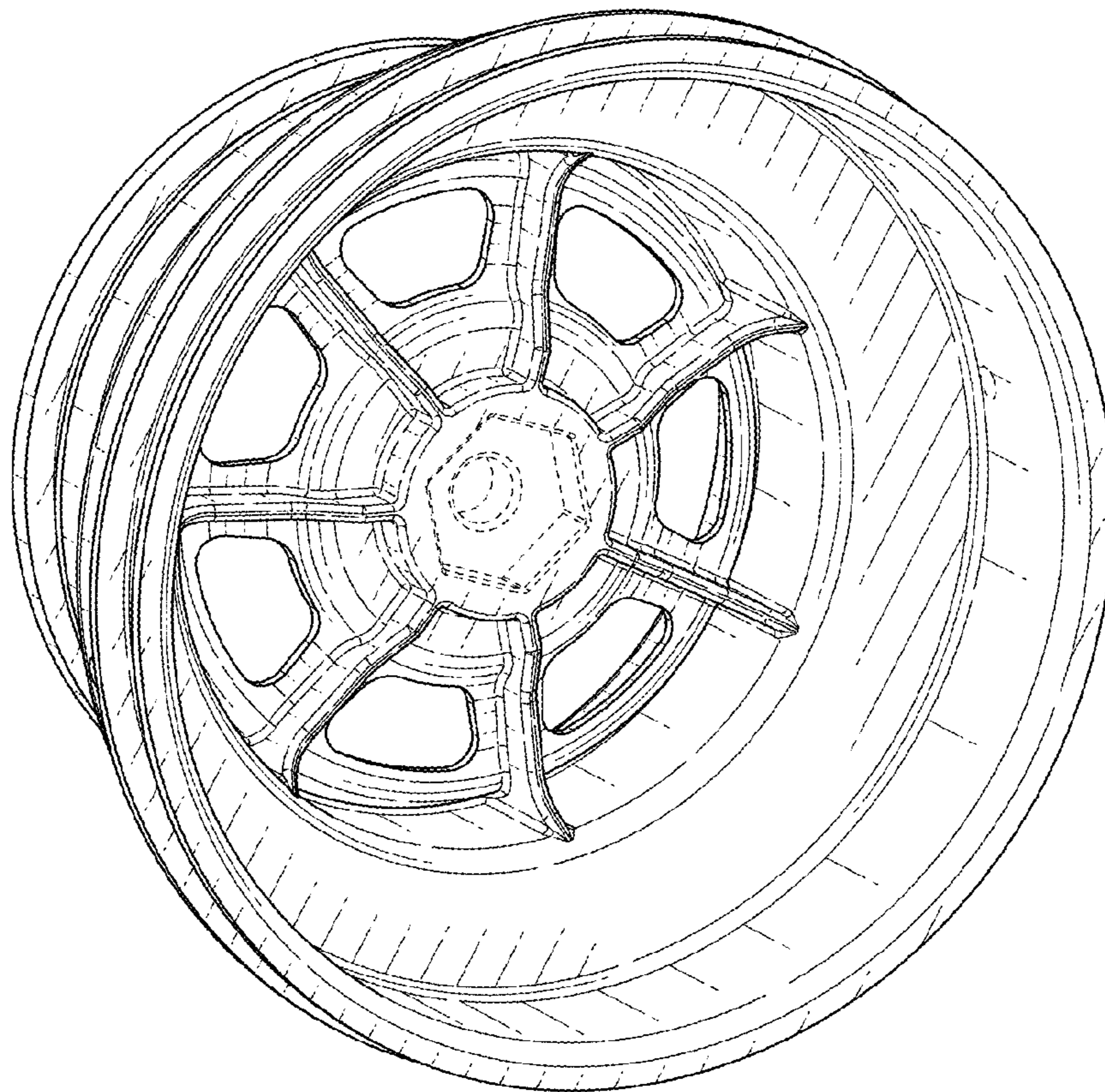


FIG. 1

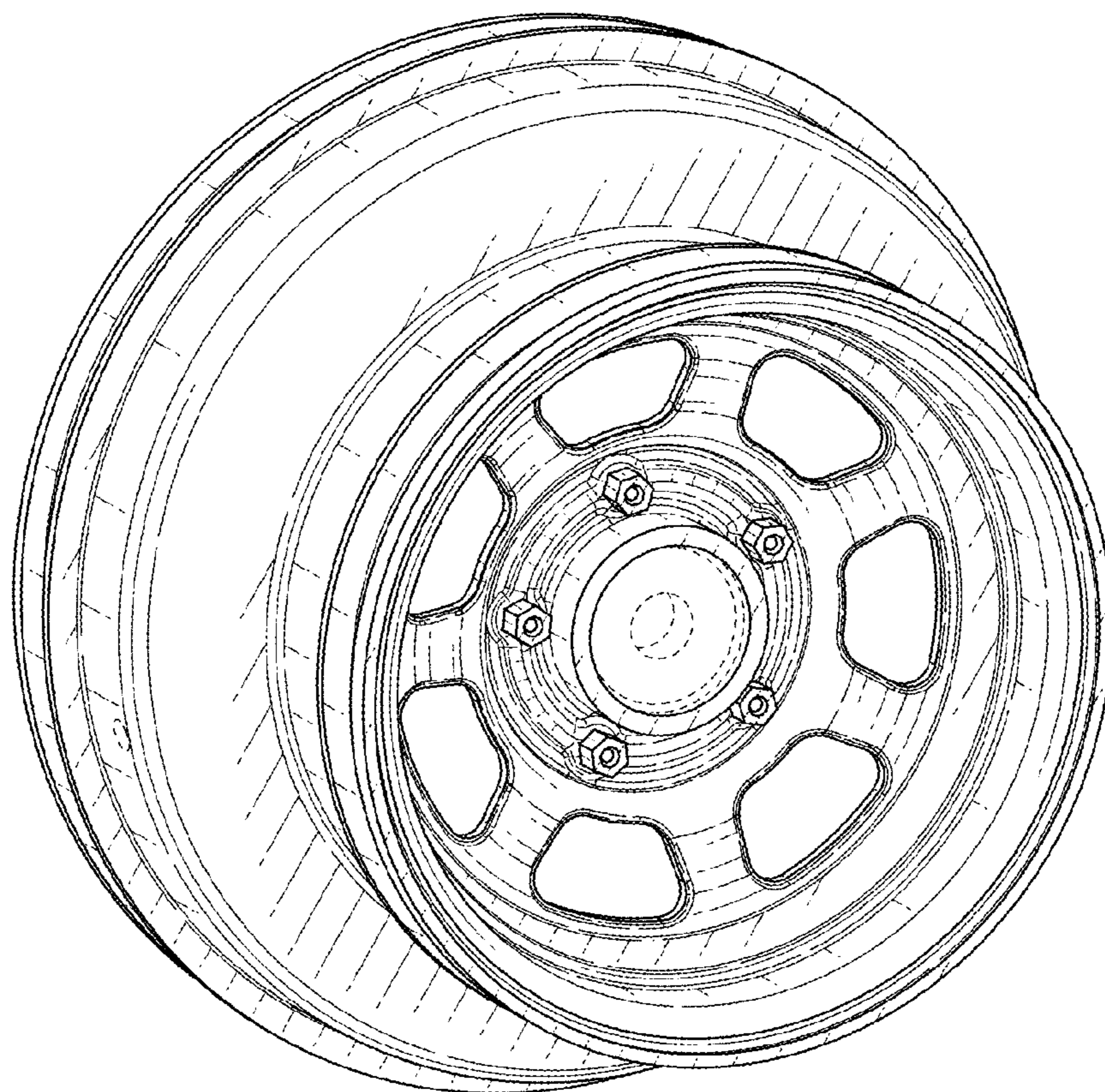


FIG. 2

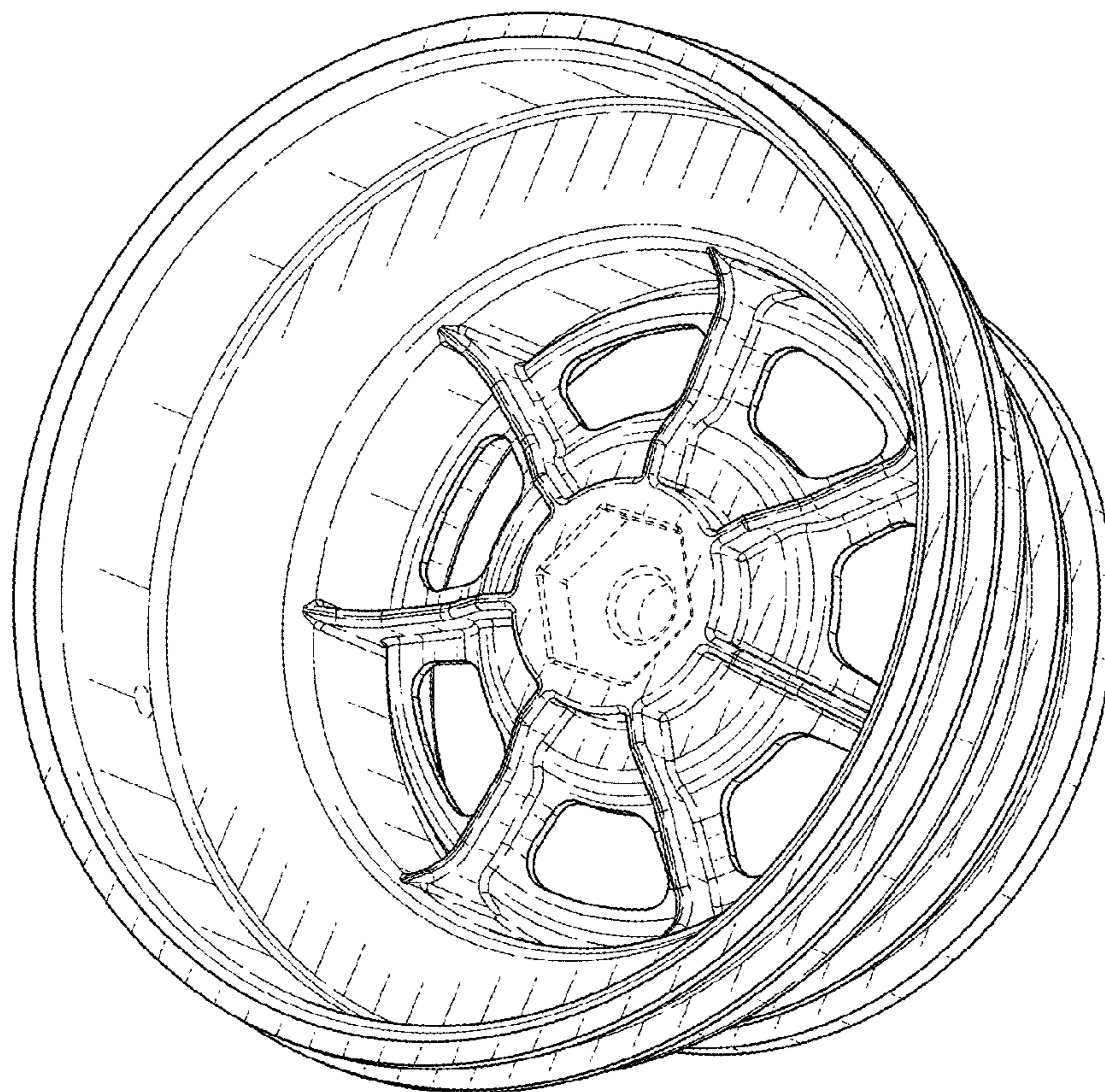


FIG. 3

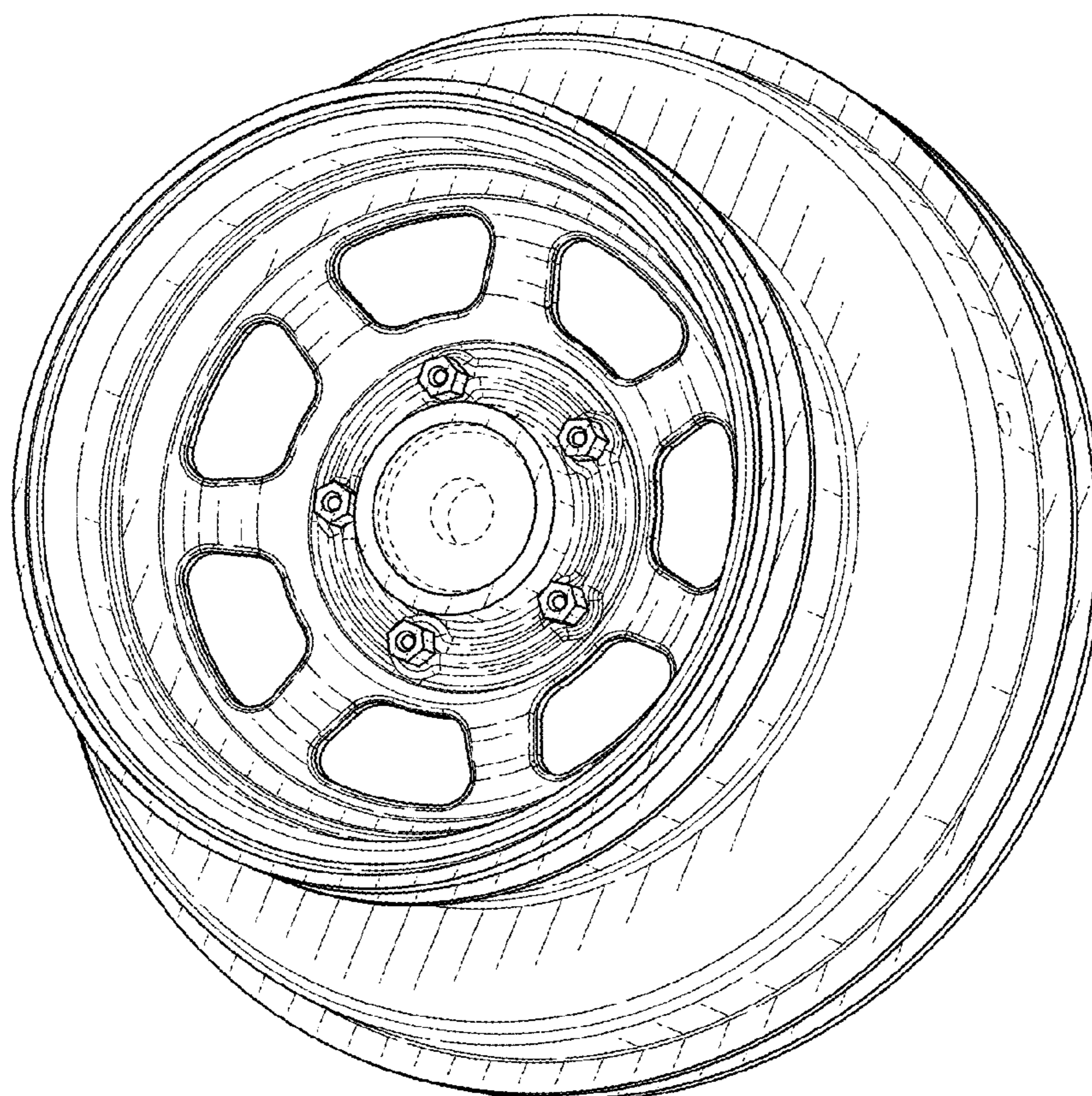


FIG. 4

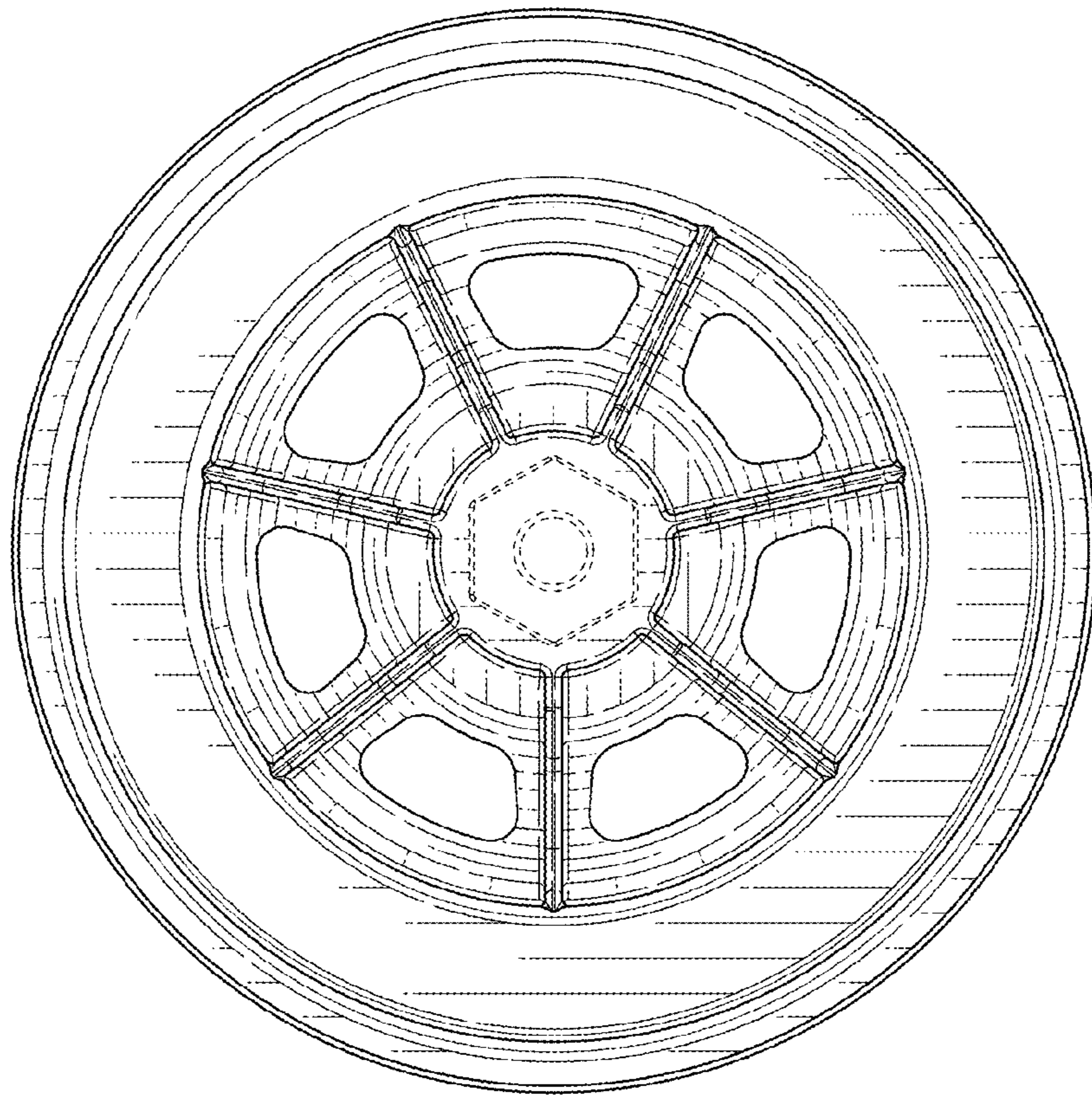


FIG. 5

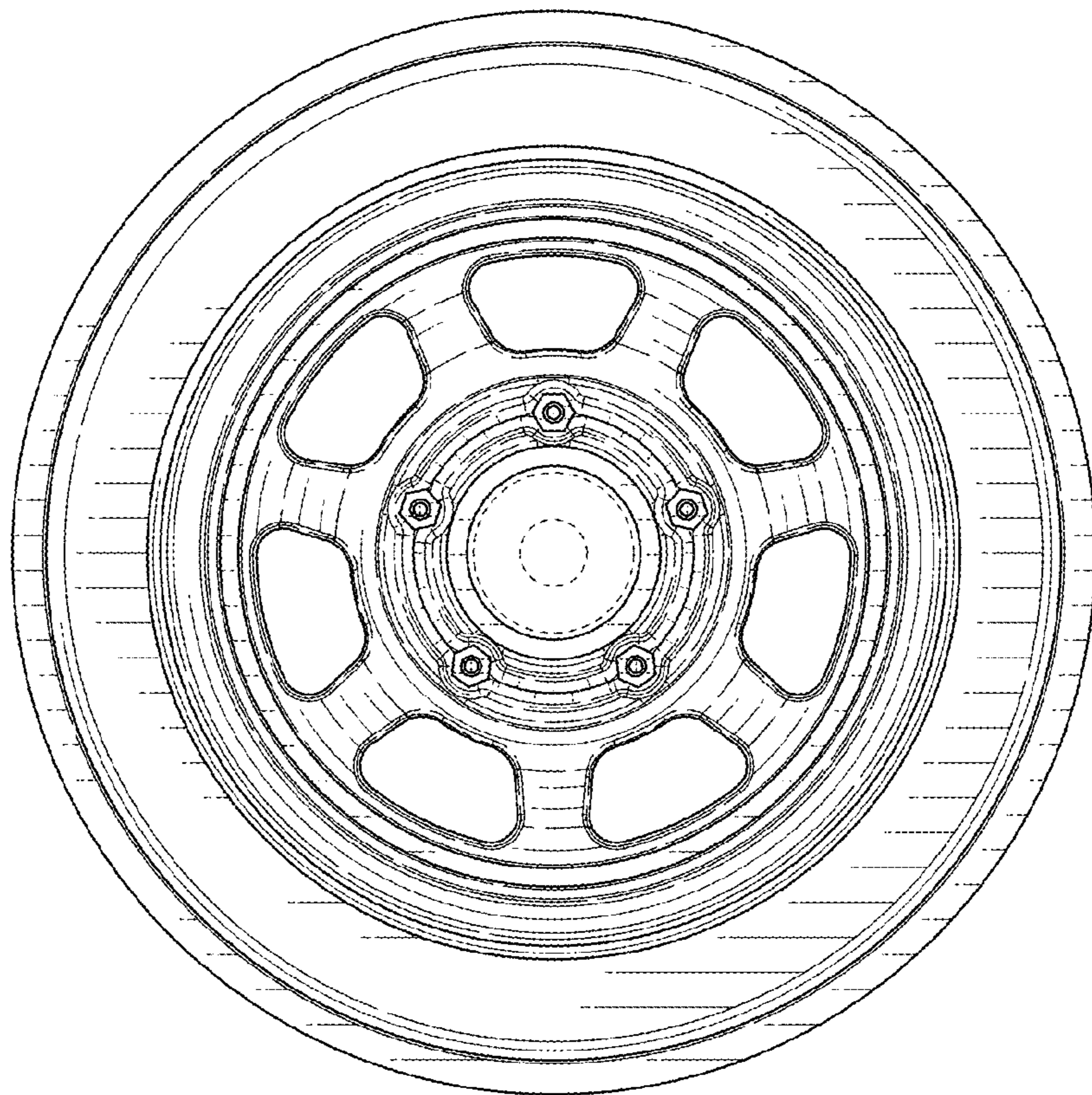


FIG. 6

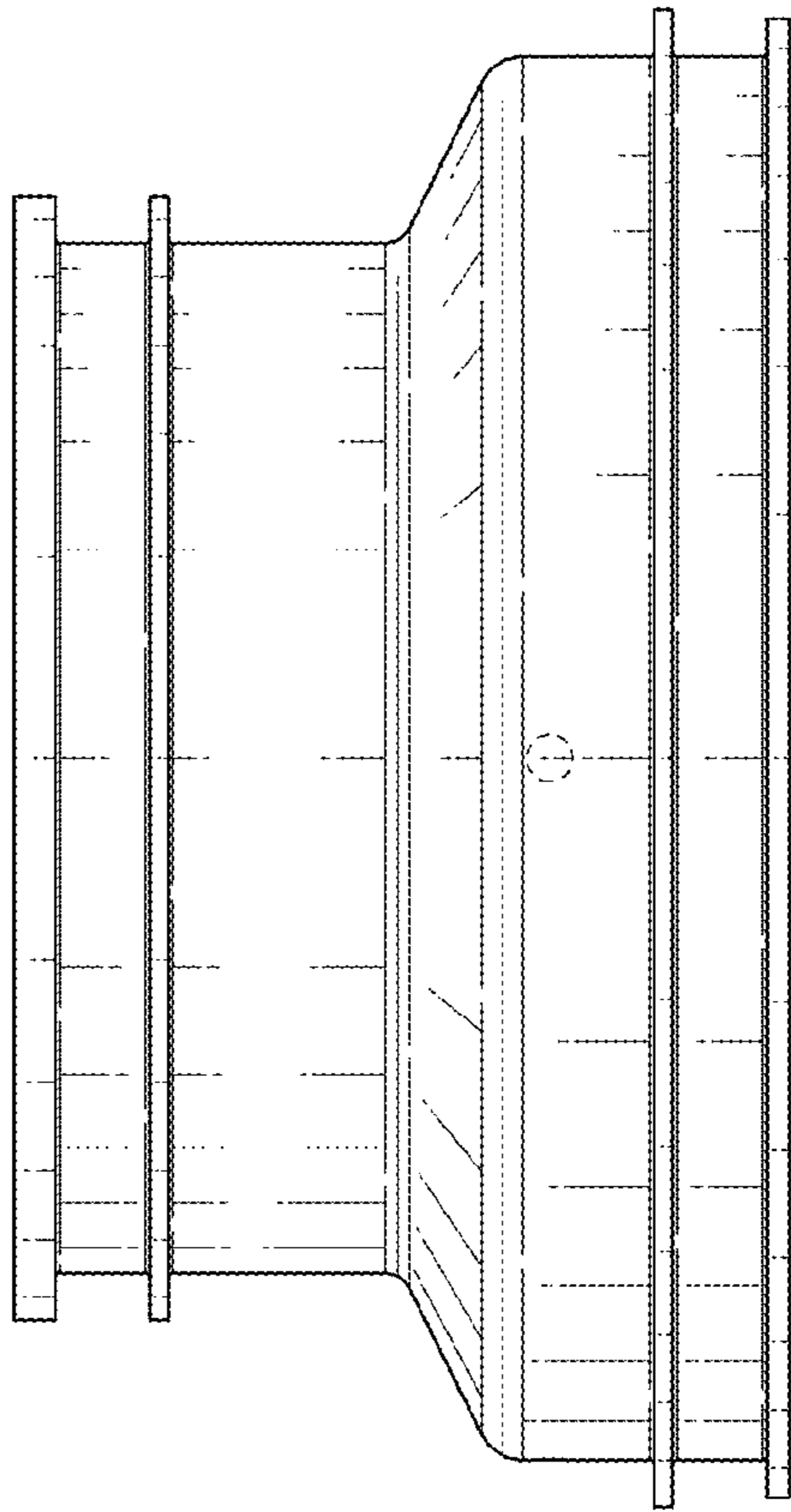


FIG. 7

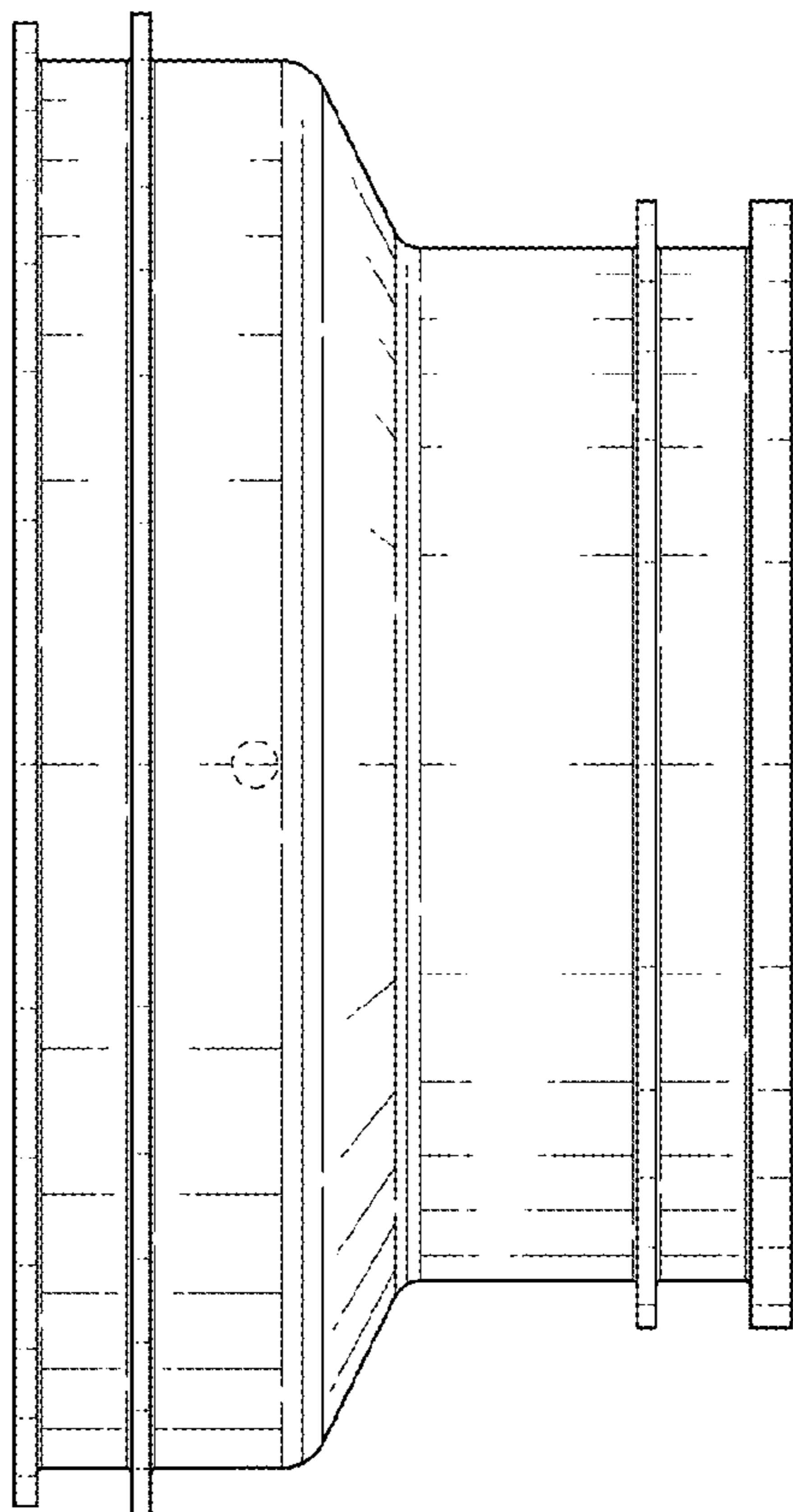


FIG. 8

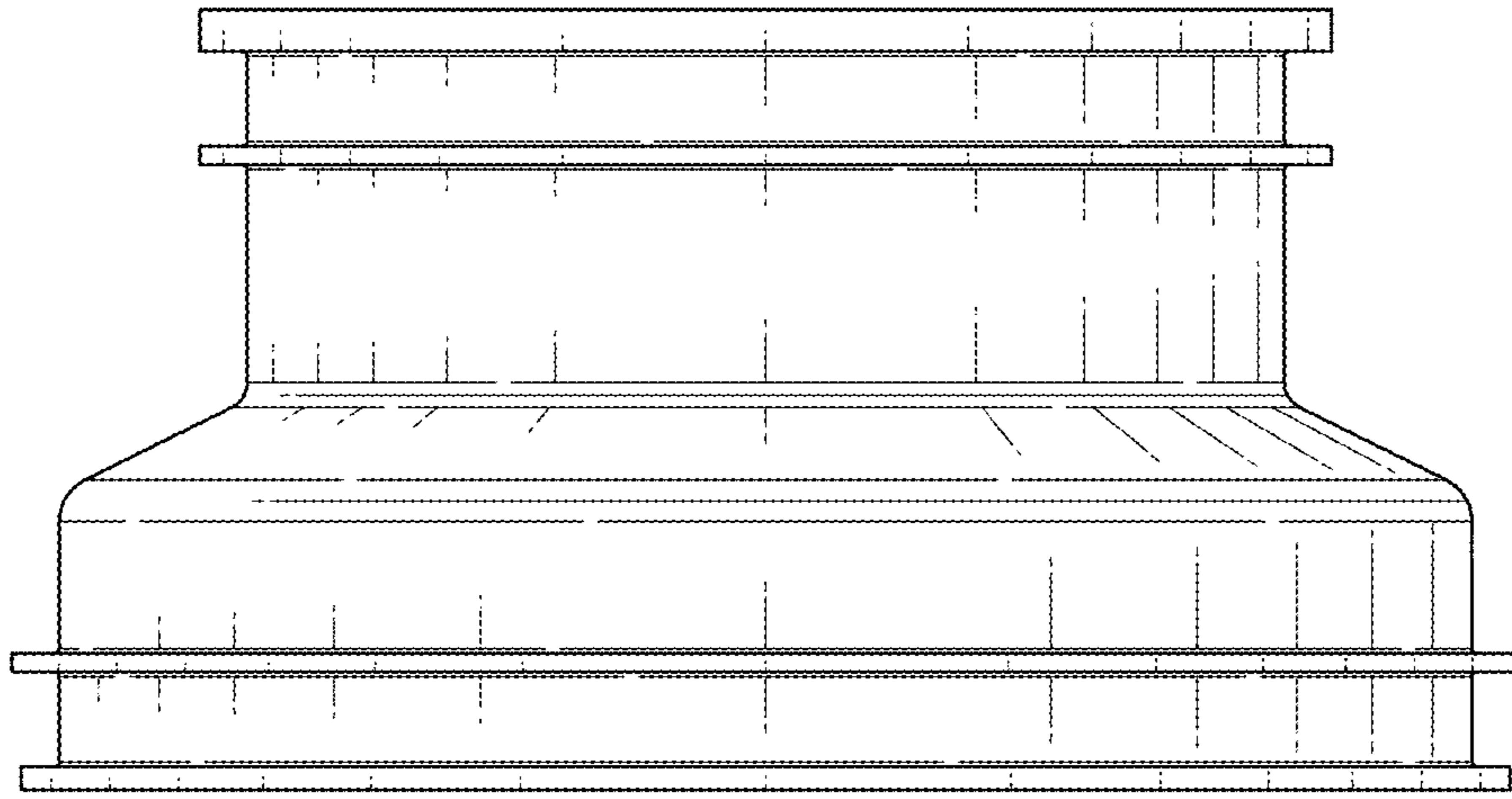


FIG. 9

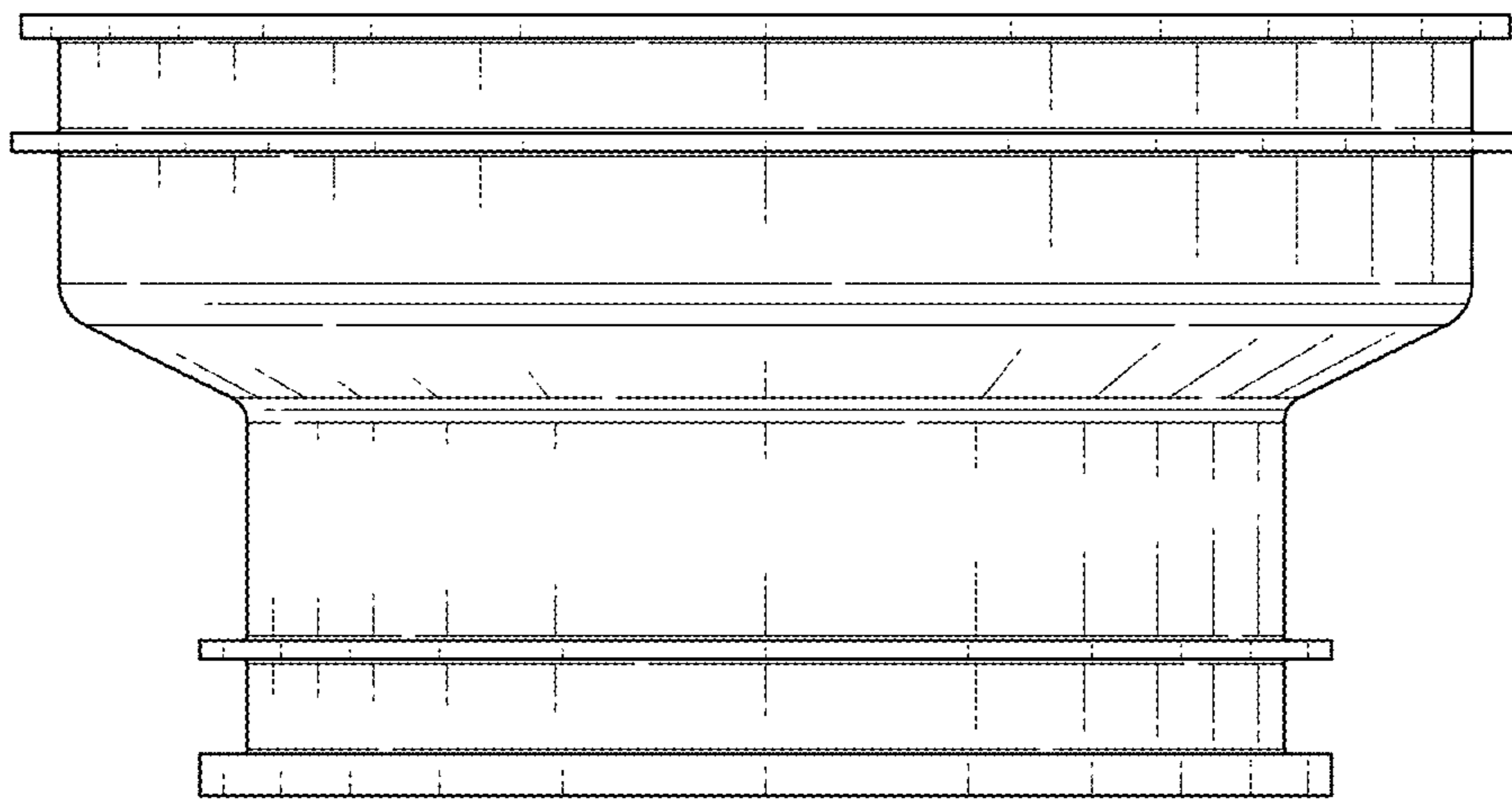


FIG. 10