



US0D1124178S

(12) **United States Design Patent** (10) **Patent No.:** **US D1,124,178 S**
Perez et al. (45) **Date of Patent:** **** Apr. 28, 2026**

(54) **MODEL VEHICLE BODY**
(71) Applicant: **TRAXXAS, L.P.**, McKinney, TX (US)
(72) Inventors: **Randy Perez**, McKinney, TX (US);
Terry Soward, Van Alstyne, TX (US);
Kent Poteet, Lucas, TX (US); **Adam Cole Ewing**, McKinney, TX (US); **Otto Karl Allmendinger**, Rowlett, TX (US);
Caleb Hix, McKinney, TX (US); **Jaime Felix Barajas**, Dallas, TX (US)
(73) Assignee: **TRAXXAS, L.P.**, McKinney, TX (US)
(**) Term: **15 Years**
(21) Appl. No.: **29/944,768**
(22) Filed: **May 30, 2024**
(51) **LOC (15) Cl.** **21-02**
(52) **U.S. Cl.**
USPC **D21/548**
(58) **Field of Classification Search**
USPC D12/86, 90–92, 181–184, 196, 206, 400;
D21/424, 433, 533, 548, 549, 551;
D11/125, 163
CPC F21S 41/43; B62D 25/00; B62D 25/02;
B62D 25/06; B62D 35/00; B62D 35/005;
B62D 35/007; B62D 35/008; B62D 35/02
See application file for complete search history.

D958,697 S 7/2022 Cattabriga et al.
D958,698 S 7/2022 Manzoni
D960,765 S 8/2022 Manzoni
D968,525 S * 11/2022 Manzoni D21/549
D972,457 S * 12/2022 Escobedo D12/92
(Continued)

OTHER PUBLICATIONS

“Great Rc Drift Car Race Models in Pair Competition / Modell+ Technik Stuttgart 2017” Nov. 29, 2017, Youtube, site visited Jan. 16, 2026: https://www.youtube.com/watch?v=_C0Wge5qPCg (Year: 2017).*
“I Tried Professional RC Drifting” Mar. 7, 2023, Youtube, site visited Jan. 16, 2026: <https://www.youtube.com/watch?v=MIOURcNESUM> (Year: 2023).*
“#1 Miniature Ford Mustang GT500” Nov. 11, 2023, Youtube, site visited Jan. 16, 2026: https://www.youtube.com/shorts/93g7e_qRn2E (Year: 2023).*

(Continued)

Primary Examiner — Erich G Herbermann
Assistant Examiner — Salamah Jordan
(74) *Attorney, Agent, or Firm* — Daryl R. Wright; Greg Carr

(57) **CLAIM**

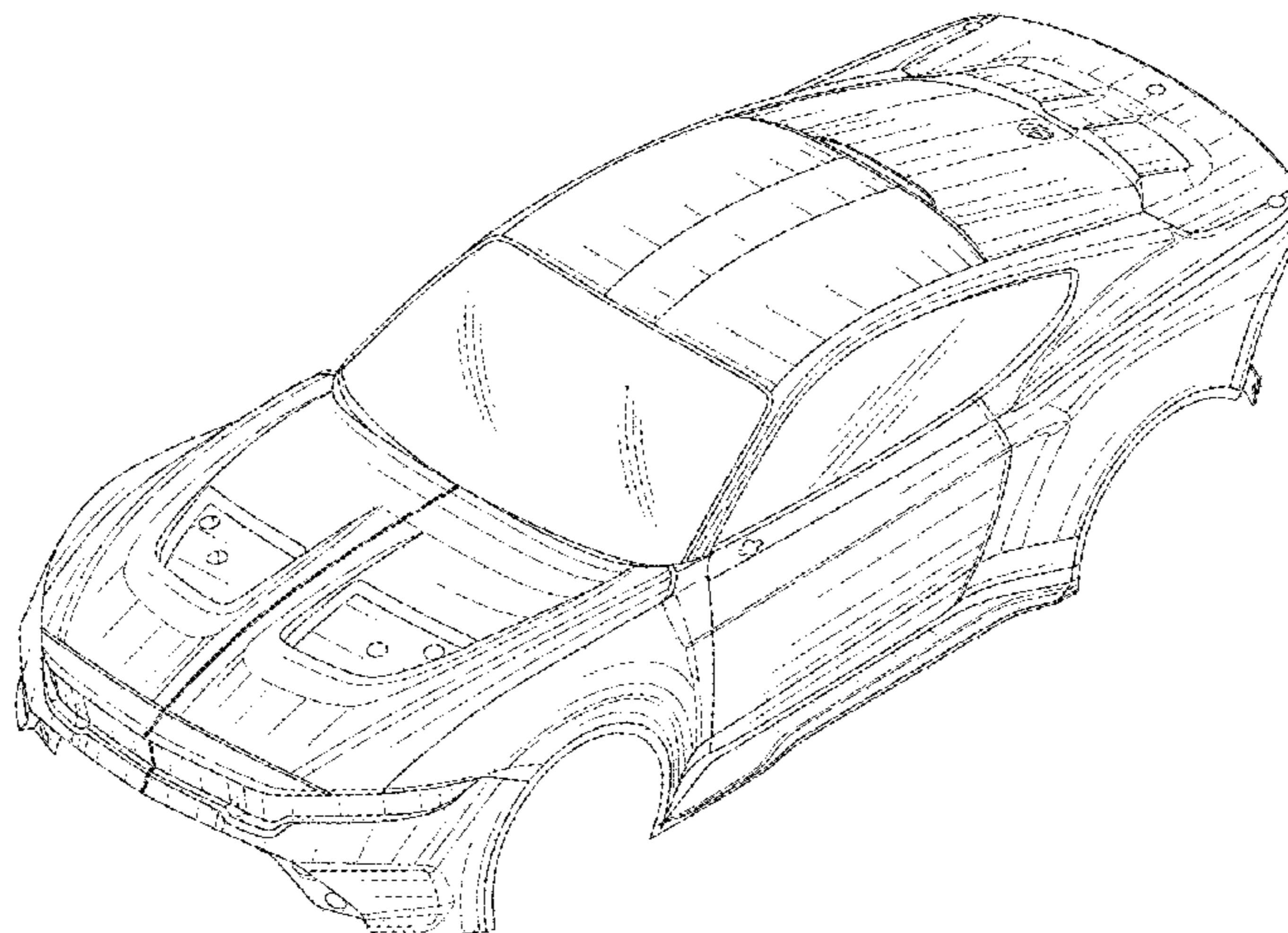
The ornamental design for a model vehicle body as shown and described.

DESCRIPTION

FIG. 1 is an upper, left, front perspective view of a model vehicle body showing our new design;
FIG. 2 is an upper, right, rear perspective view thereof;
FIG. 3 is a lower, right, front perspective view thereof;
FIG. 4 is a lower, left, rear perspective view thereof;
FIG. 5 is a front elevation view thereof;
FIG. 6 is a rear elevation view thereof;
FIG. 7 is a lower plan view thereof;
FIG. 8 is an upper plan view thereof;
FIG. 9 is a right-side elevation view thereof; and,
FIG. 10 is a left-side elevation view of the model vehicle body.

1 Claim, 9 Drawing Sheets

(56) **References Cited**
U.S. PATENT DOCUMENTS
D547,249 S * 7/2007 Kurtz D12/196
D566,789 S * 4/2008 Idiot D21/562
D566,790 S * 4/2008 Idiot D21/562
D603,295 S * 11/2009 Honeycutt D12/86
D728,037 S * 4/2015 Barajas D21/562
D842,386 S * 3/2019 Barajas D21/548
D862,610 S * 10/2019 Barajas D21/548
D870,823 S * 12/2019 Manzoni D12/92
D875,647 S * 2/2020 Barajas D12/548
D876,555 S * 2/2020 Barajas D21/548
D937,709 S 12/2021 Manzoni
D941,184 S * 1/2022 Kim D12/86



(56)

References Cited

U.S. PATENT DOCUMENTS

D975,589 S 1/2023 Godard
 D980,748 S 3/2023 Cordua
 D991,831 S * 7/2023 Tomasson D12/92
 D999,845 S * 9/2023 Christensen D21/562
 D1,010,507 S 1/2024 Manzoni
 D1,015,943 S * 2/2024 Tomasson D12/91
 D1,015,951 S * 2/2024 Tomasson D12/91
 D1,016,674 S * 3/2024 Thomas D12/92
 D1,031,521 S 6/2024 Manzoni
 D1,037,372 S * 7/2024 Ewing D21/562
 D1,038,834 S * 8/2024 Moon D12/91
 D1,045,670 S 10/2024 Melville et al.
 D1,051,770 S * 11/2024 Yamashita D12/91
 D1,052,459 S * 11/2024 Tomasson D12/91
 D1,053,068 S * 12/2024 Tomasson D12/91
 D1,060,133 S * 2/2025 Gao D12/92
 D1,065,361 S * 3/2025 Ewing D21/549
 D1,072,962 S * 4/2025 Hagler D21/548
 D1,073,819 S * 5/2025 Hagler D21/548
 D1,073,820 S * 5/2025 Ewing D21/548
 D1,077,702 S * 6/2025 Thomas D12/92
 D1,083,673 S * 7/2025 Wu D12/92
 D1,083,674 S * 7/2025 Wu D12/92
 D1,088,960 S * 8/2025 Perez D12/86
 D1,101,619 S * 11/2025 Manzoni D12/86
 D1,107,817 S * 12/2025 Barajas D21/562
 D1,107,820 S * 12/2025 Hagler D21/562
 D1,107,821 S * 12/2025 Barajas D21/562
 2025/0353362 A1 * 11/2025 Kikuchi B60J 3/02
 2026/0014839 A1 * 1/2026 Frank B60J 5/0473
 2026/0015047 A1 * 1/2026 Sanchez Gomez .. B62D 35/008

OTHER PUBLICATIONS

“Ridiculously Easy RC Drift Car! Traxxas 4-Tec” Jul. 17, 2024, Youtube, site visited Jan. 16, 2025: <https://www.youtube.com/watch?v=v-9PMYfC9pk> (Year: 2024).*

“Precise Drifting | @Traxxas 4-Tec® Drift” Jul. 17, 2024, Youtube, site visited Jan. 16, 2026: <https://www.youtube.com/watch?v=u6lp5Y4tcXA> (Year: 2024).*

“How To Wrap the Traxxas Mudboss Modified” Jul. 9, 2024, Youtube, site visited Jan. 20, 2026: <https://www.youtube.com/watch?v=vuYLLt7sK7Y> (Year: 2024).*

“Losi 1/12 NASCAR Wrap Tutorial | Carpy’s” Oct. 17, 2024, Youtube, site visited Jan. 20, 2026: <https://www.youtube.com/watch?v=RlpJzPCIZ3g> (Year: 2024).*

RC Body Shell 1/10 RC car Body 1/10 RC Car Body Finished Body Shell Frame for RC. 2025. eBay: <https://ebay.co.uk/itm/126580754280>.

New 1/8 scale RC car body 2021 S550. Mach Bullitt. Feb. 7, 2022, Mustang G6g. <https://www.mustang6g.com/forums/threads/new-1-8-scale-rc-car-body-2021-s550.171492>.

RC Car Shell Body 94mm Wheelbase Car Body Shell for 1:28 Model For Bmw M3. 2025. eBay. <https://www.ebay.com/itm/235505926180>.

Ridiculously Easy RC Drift Car! Traxxas 4-Tec, YouTube, Jul. 17, 2024, Site Visited Jan. 16, 2026: <https://www.youtube.com/watch?v=v-9PMYfC9pk> (Year: 2024).

Great Rc Drift Car Race Models in Pair Competition / Modell+ Technik Stuttgart 2017, YouTube, Nov. 29, 2017, Site visited Jan. 16, 2026: https://www.youtube.com/watch?v=_C0Wge5qPCg (Year: 2017).

* cited by examiner

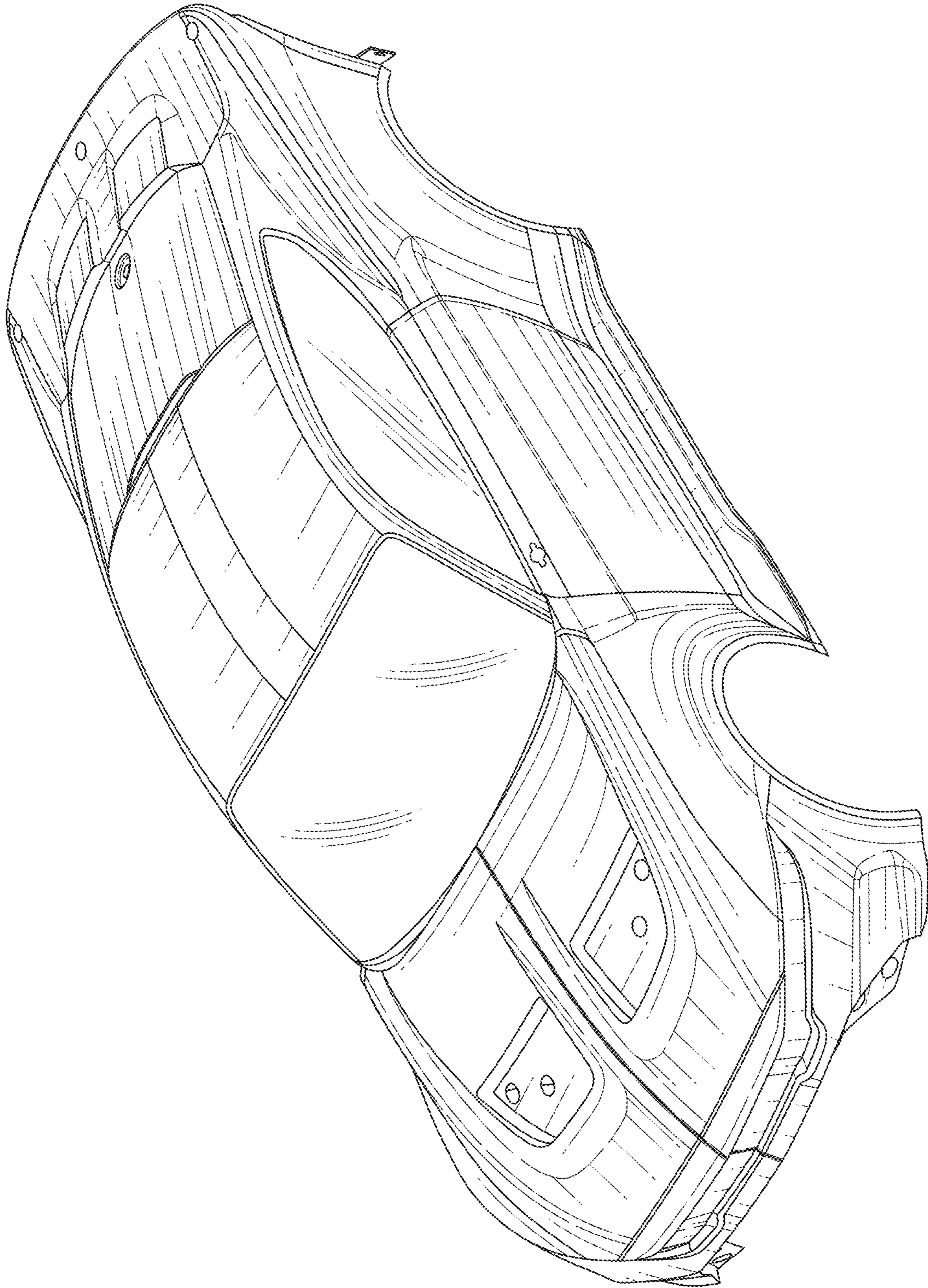


FIG. 1

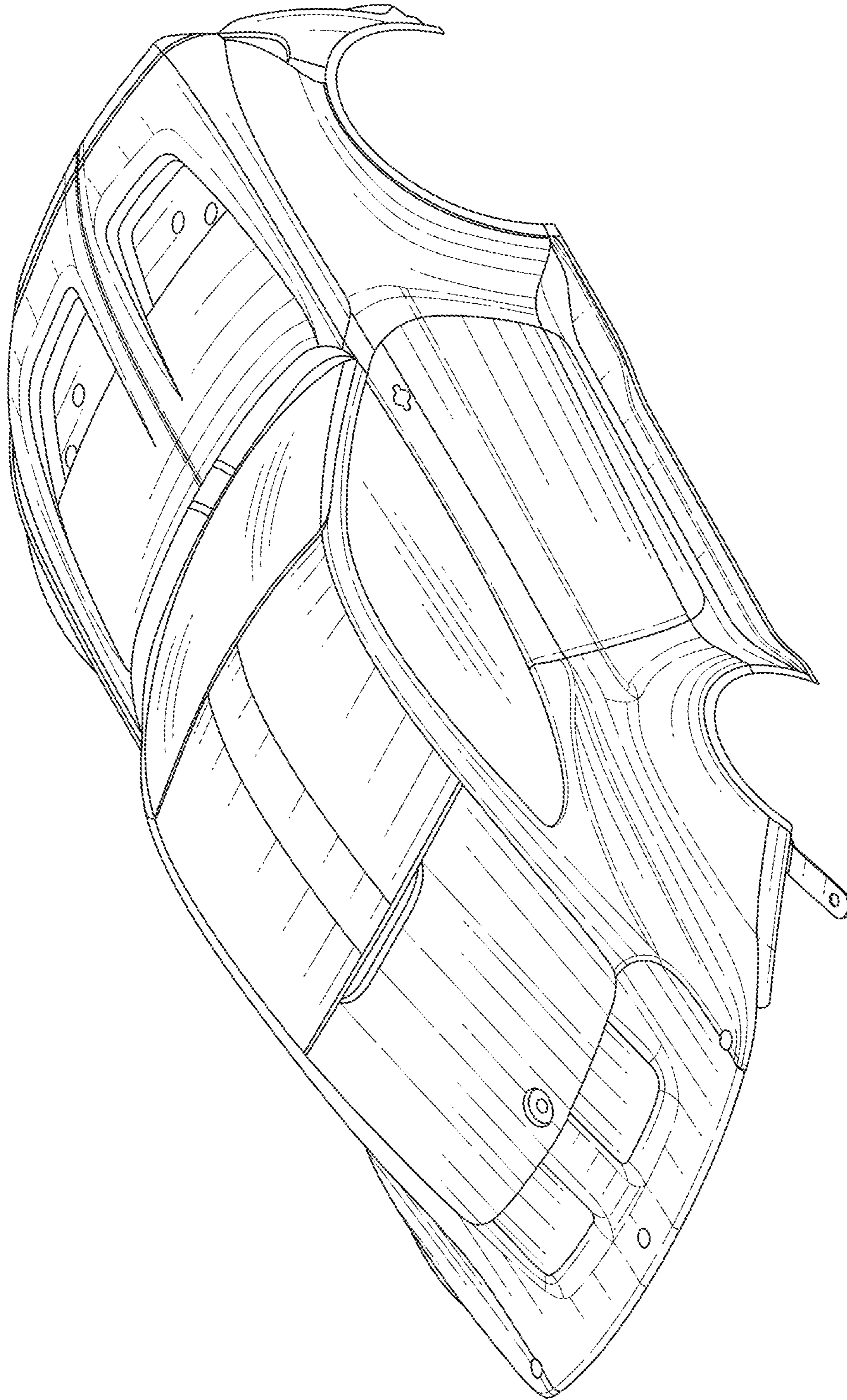


FIG. 2

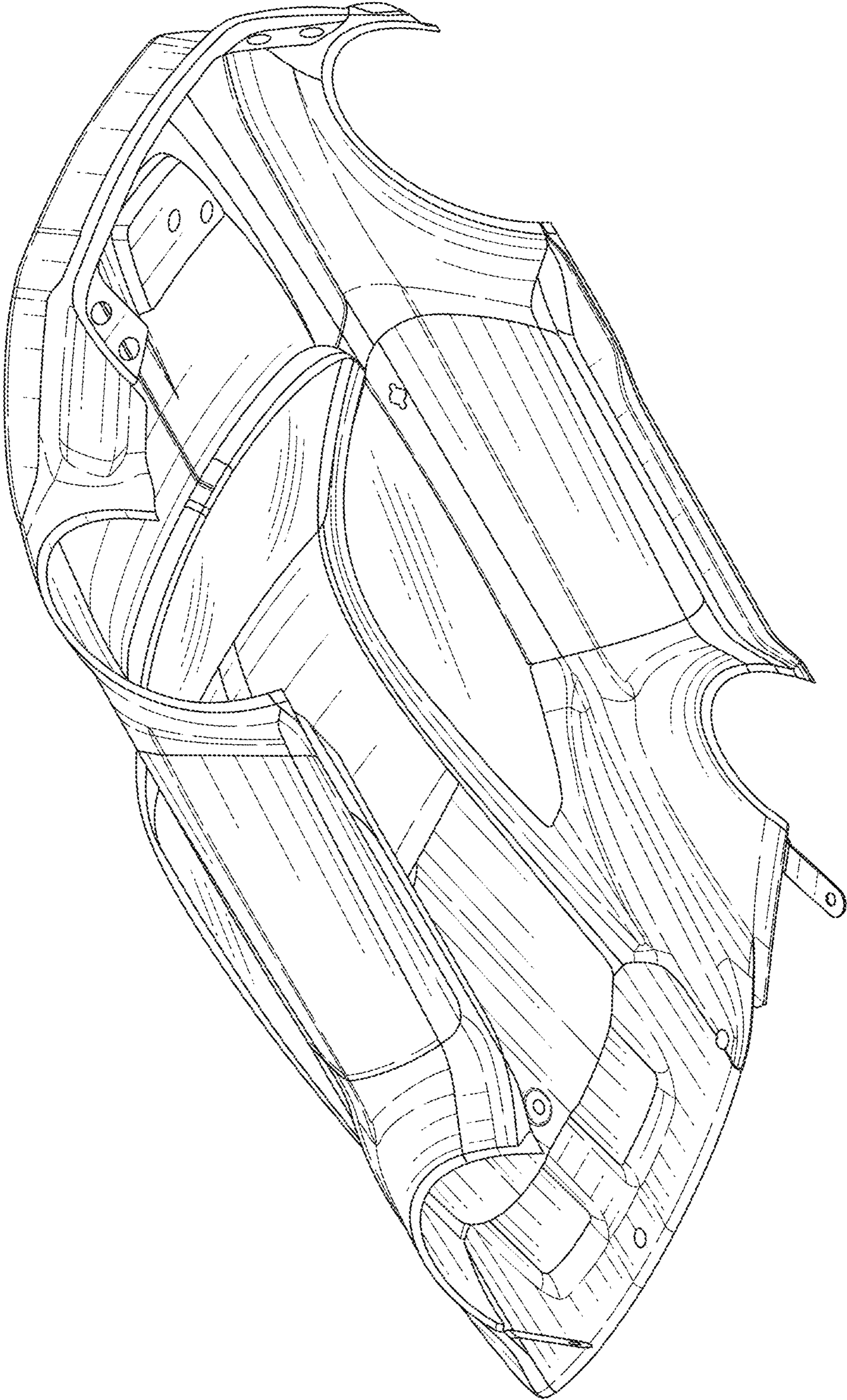


FIG. 3

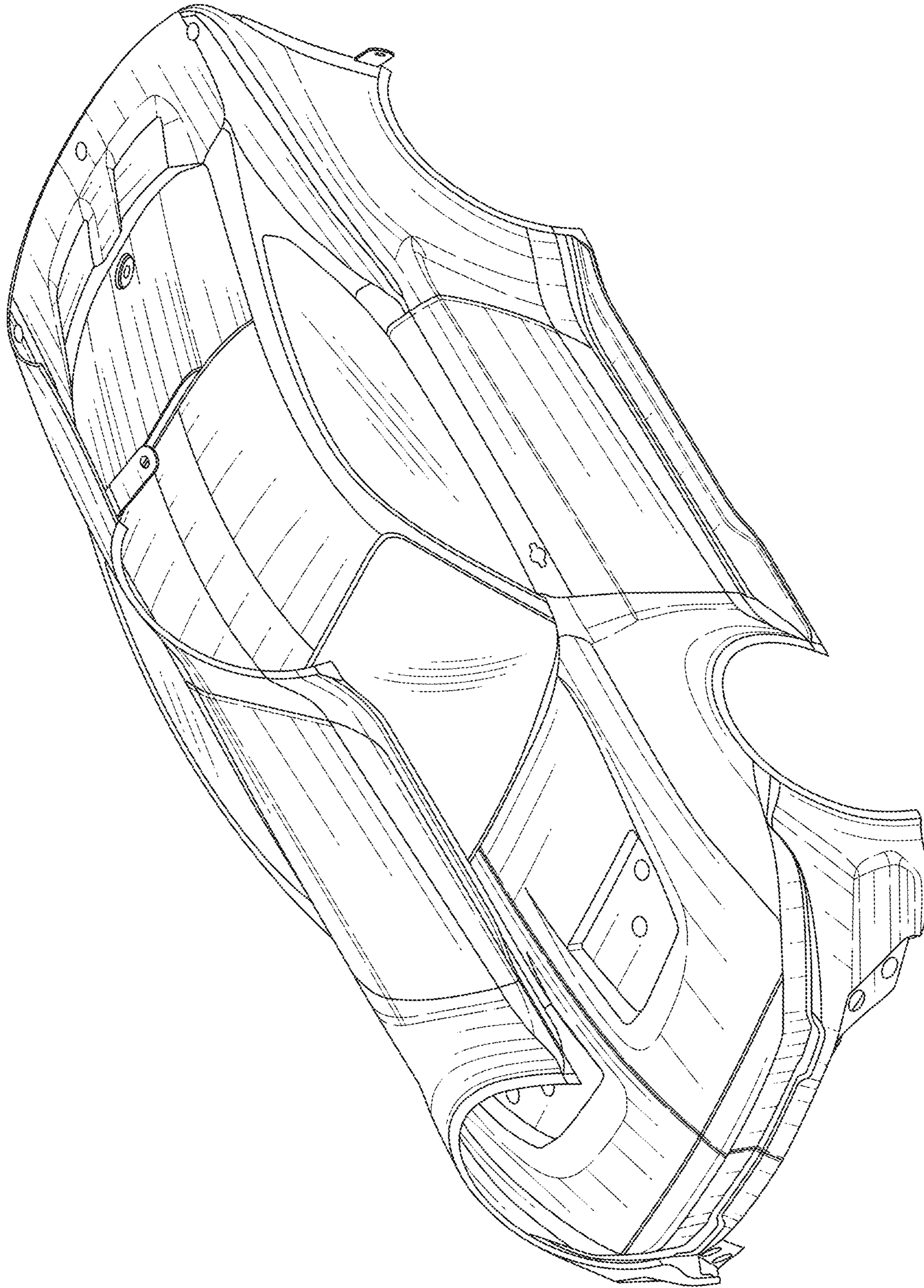


FIG. 4

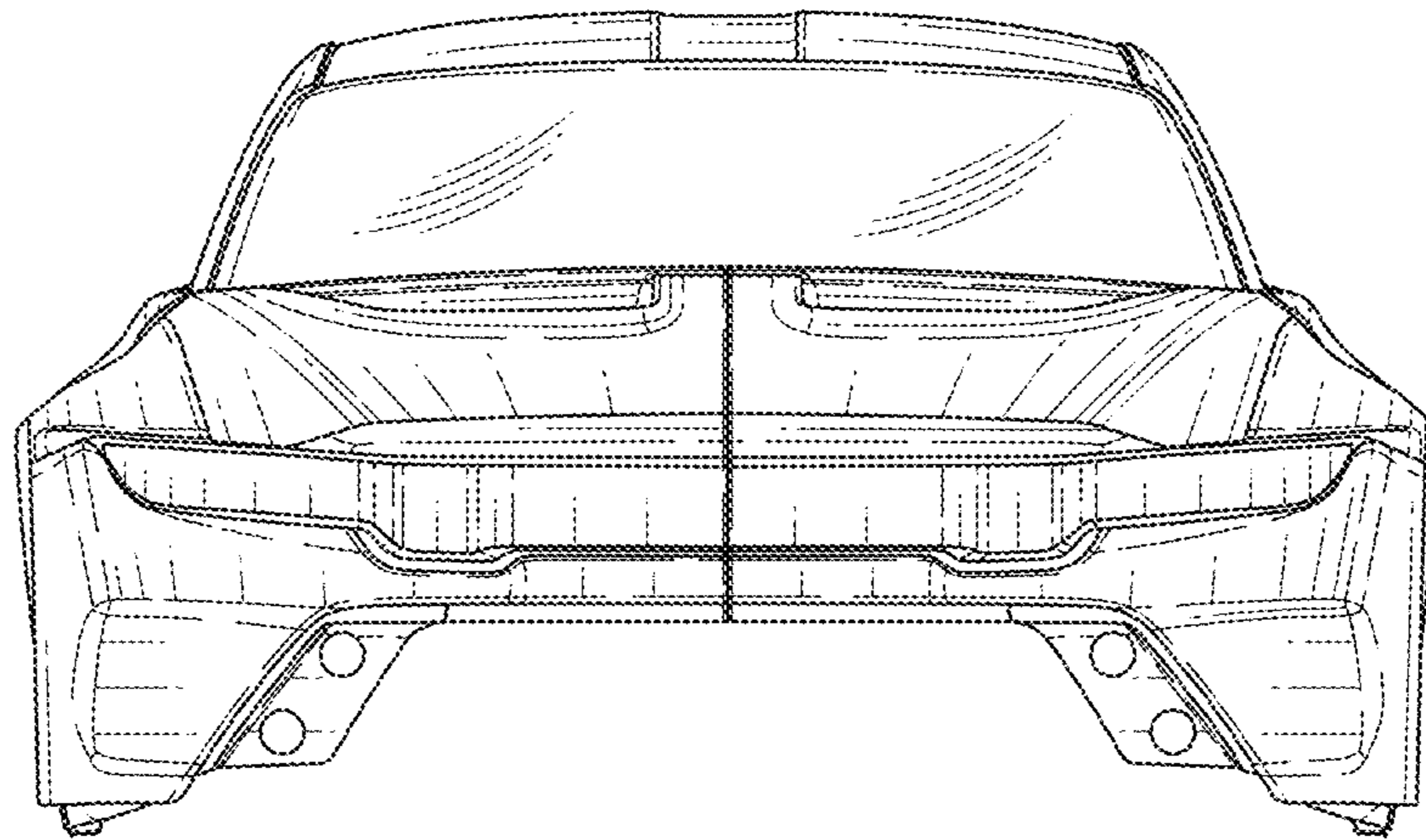


FIG. 5

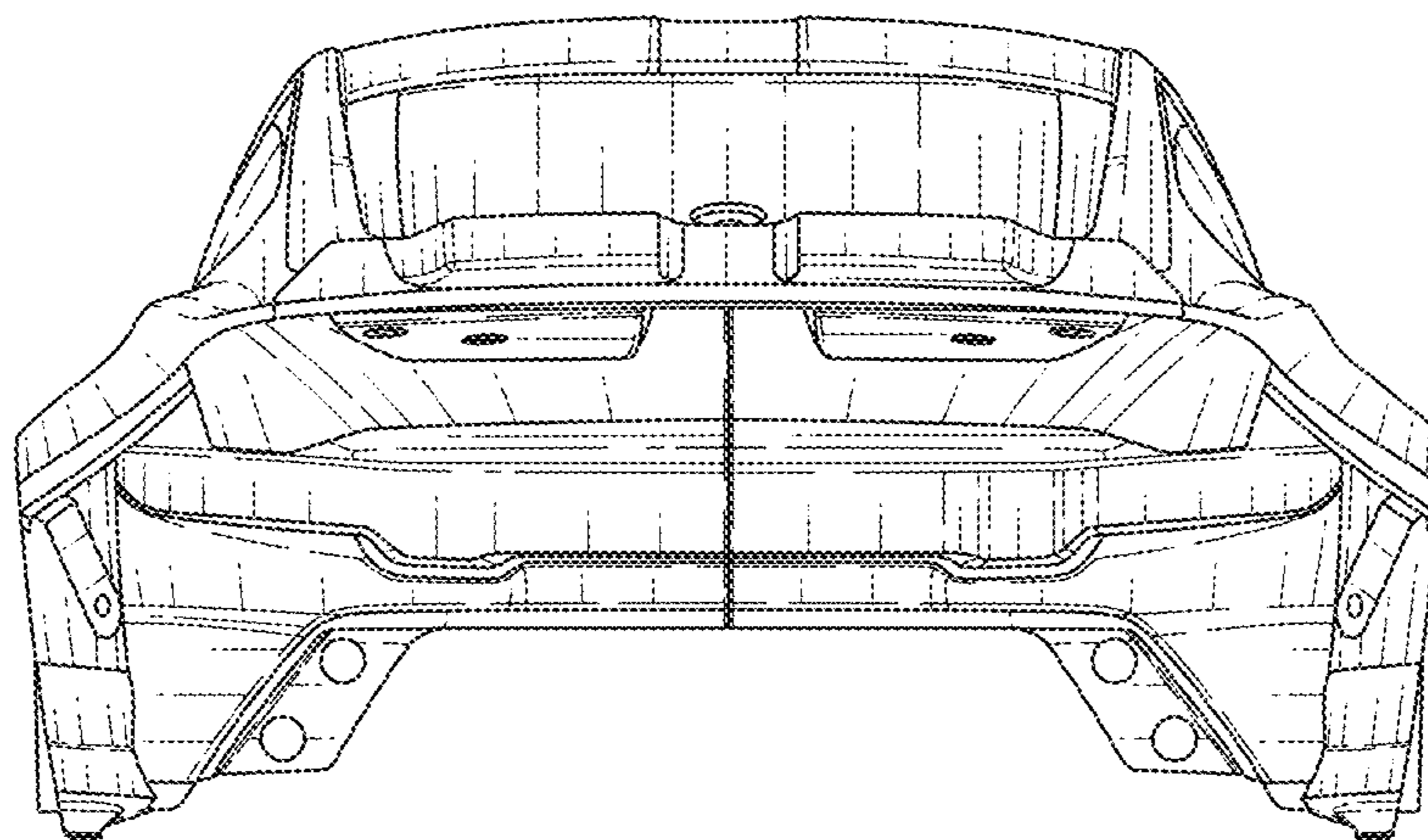


FIG. 6

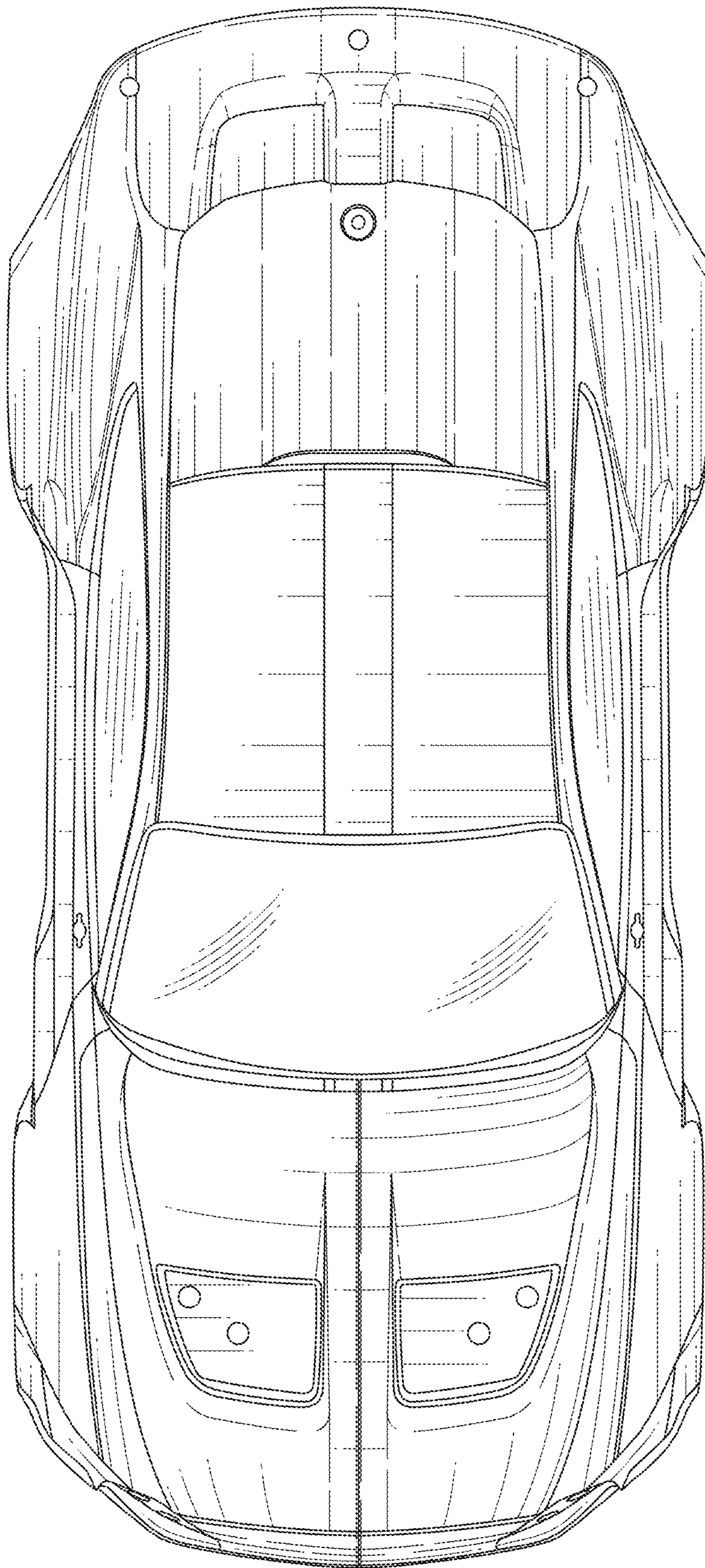


FIG. 7

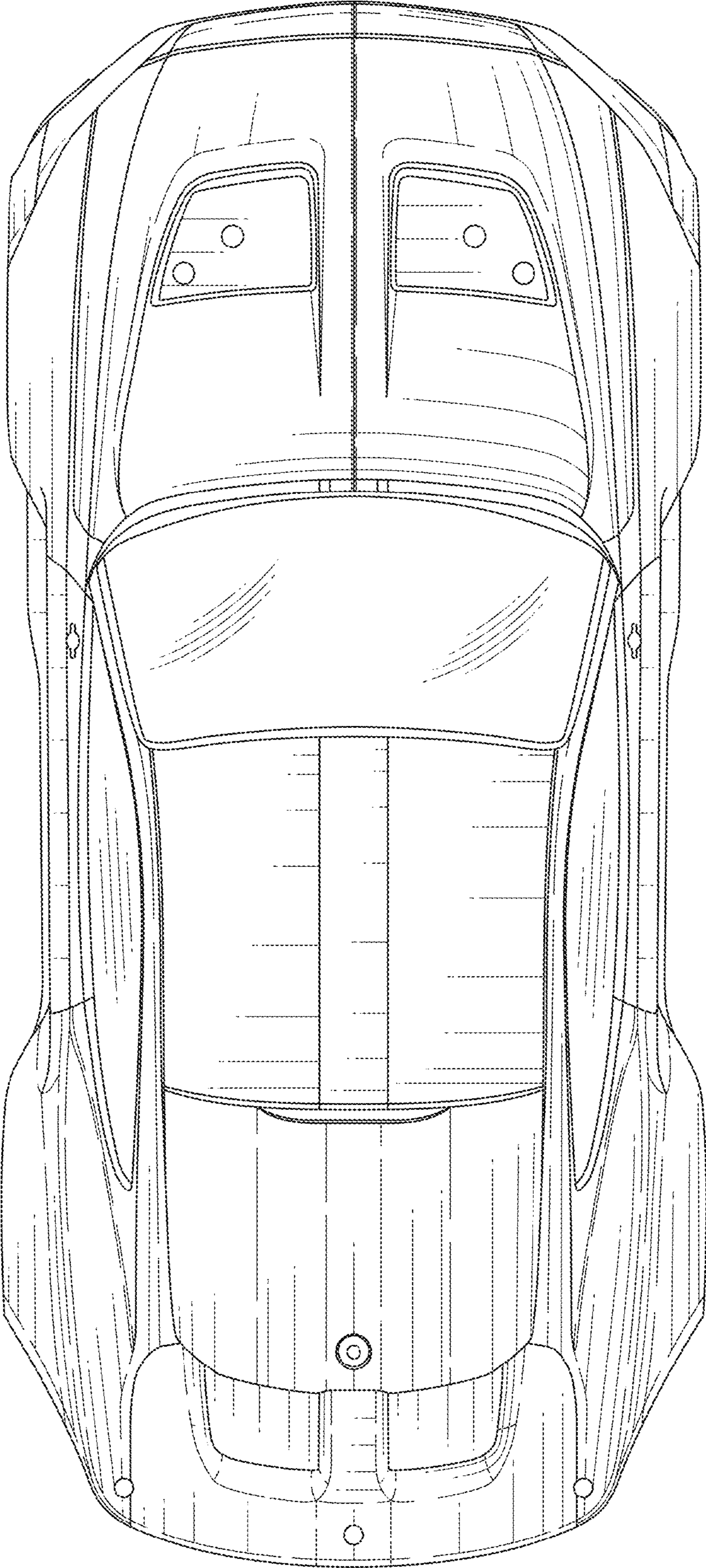


FIG. 8

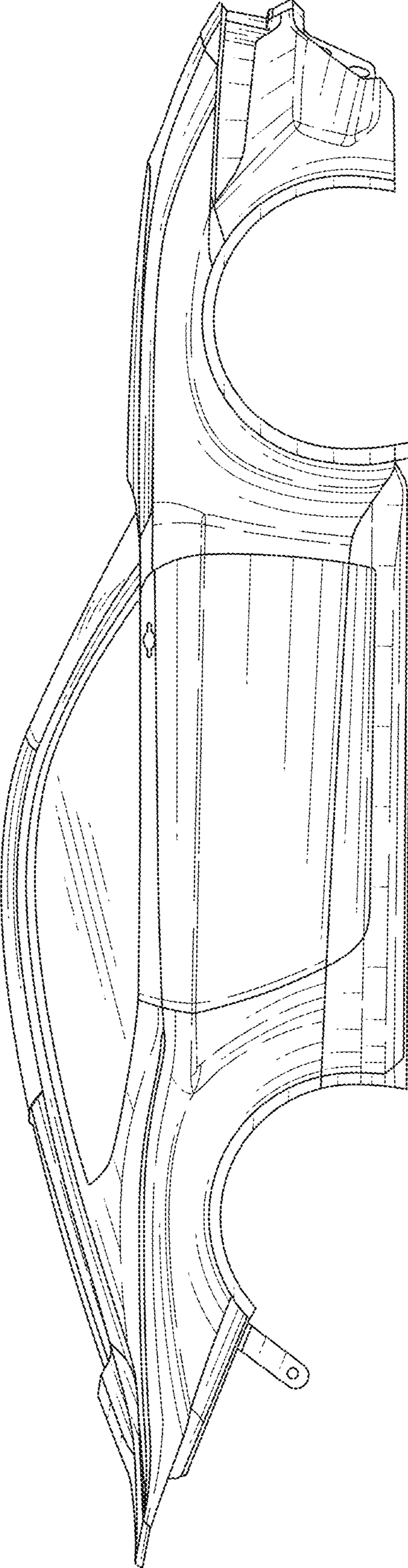


FIG. 9

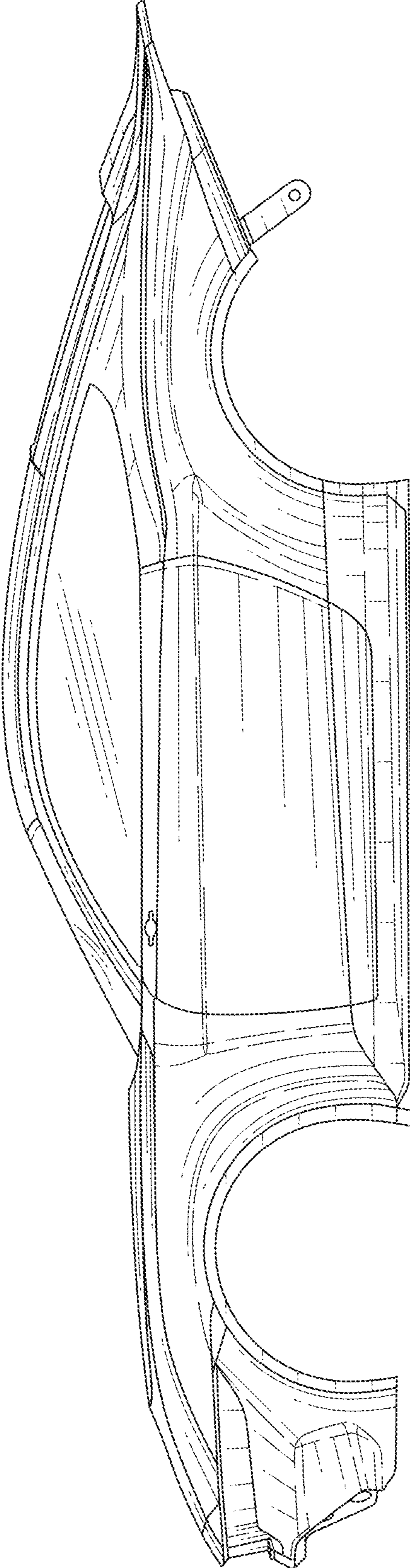


FIG. 10