



US0D1124177S

(12) **United States Design Patent**
Ewing et al.

(10) **Patent No.: US D1,124,177 S**

(45) **Date of Patent: ** Apr. 28, 2026**

(54) **MODEL VEHICLE CHASSIS MOUNT**

(71) Applicant: **TRAXXAS, L.P.**, McKinney, TX (US)

(72) Inventors: **Adam Cole Ewing**, McKinney, TX (US); **Otto Karl Allmendinger**, Rowlett, TX (US); **Noah House**, Sachse, TX (US); **Ross Martin**, North Richland Hills, TX (US)

(73) Assignee: **TRAXXAS, L.P.**, McKinney, TX (US)

(**) Term: **15 Years**

(21) Appl. No.: **29/938,978**

(22) Filed: **Apr. 24, 2024**

(51) **LOC (15) Cl.** **21-02**

(52) **U.S. Cl.**
USPC **D21/561**

(58) **Field of Classification Search**
USPC D12/86, 90–92, 181–184, 196, 206, 400, D12/87, 88, 159; D21/424, 433, 533, D21/548, 549, 551, 561; D11/125, 163
CPC F21S 41/43; B62D 25/00; B62D 25/02; B62D 25/06; B62D 35/00; B62D 35/005; B62D 35/007; B62D 35/008; B62D 35/02; A63H 17/262; A63H 17/26; A63H 17/002; A63H 17/004

See application file for complete search history.

(56) **References Cited**

U.S. PATENT DOCUMENTS

D905,798 S *	12/2020	Ewing	D12/159
D944,901 S *	3/2022	Ewing	D21/562
D951,148 S *	5/2022	Ewing	D12/159
D964,482 S *	9/2022	Ewing	D21/562
D976,338 S *	1/2023	Li	D21/548
12,065,009 B2 *	8/2024	Connell	F16C 17/105
D1,046,011 S *	10/2024	Ewing	D21/561
D1,051,242 S *	11/2024	Ewing	D21/561
D1,051,243 S *	11/2024	Ewing	D21/561

D1,051,246 S *	11/2024	Ewing	D21/562
D1,051,247 S *	11/2024	Ewing	D21/562
D1,072,076 S	4/2025	Hix et al.		
D1,074,855 S *	5/2025	Ewing	D21/549
D1,095,699 S *	9/2025	Ewing	D21/562
D1,095,700 S *	9/2025	Ewing	D21/562

(Continued)

OTHER PUBLICATIONS

“Slash Clipless Body Mounts (F&R)”, Traxxas, site visited Jan. 22, 2026: https://traxxas.com/6940-slash-4x4-clipless-body-mounts-fr.*

(Continued)

Primary Examiner — Erich G Herbermann

Assistant Examiner — Salamah Jordan

(74) *Attorney, Agent, or Firm* — Daryl R. Wright; Greg Carr

(57) **CLAIM**

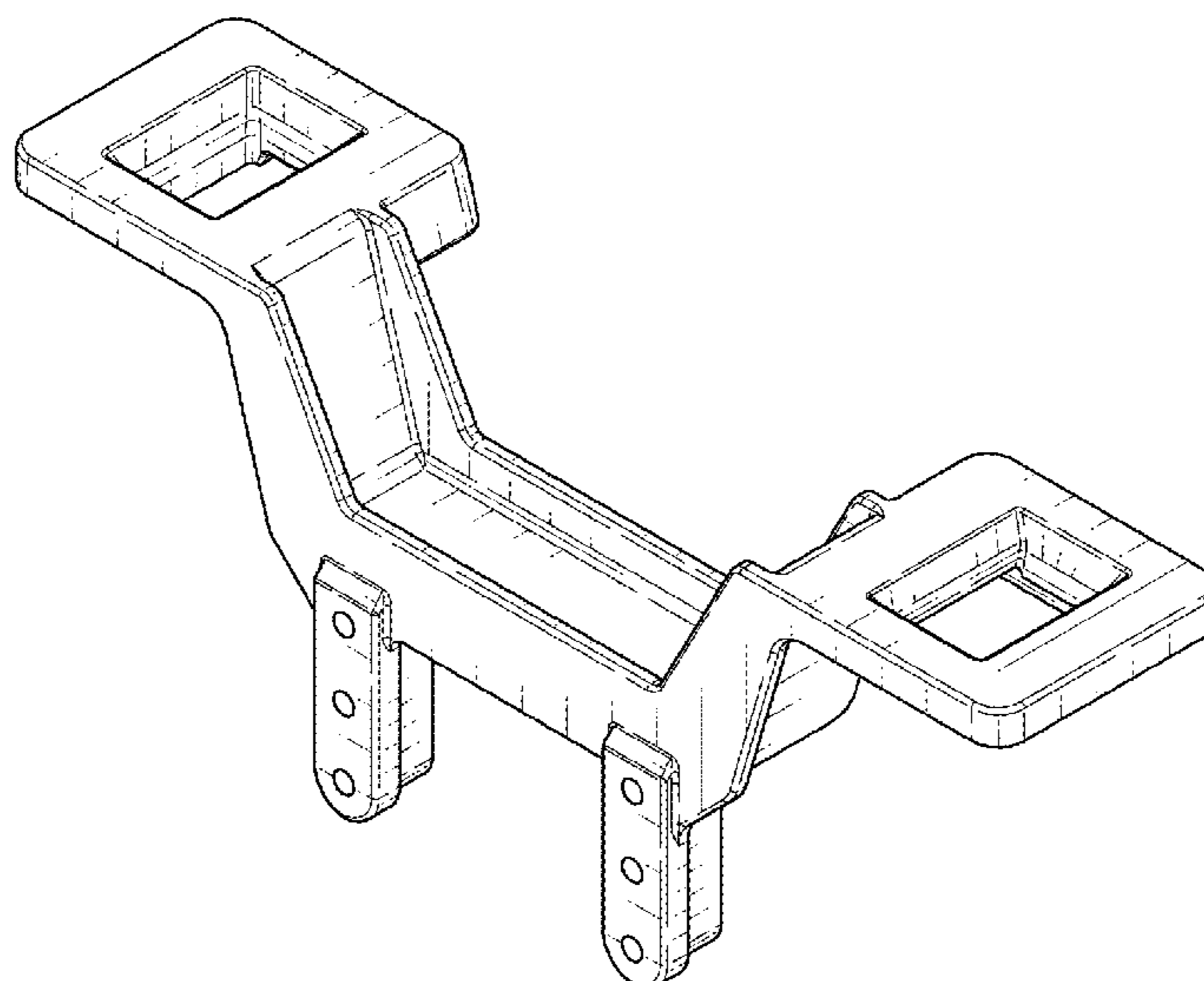
The ornamental design for a model vehicle chassis mount as shown and described.

DESCRIPTION

FIG. 1 is an upper, left, front perspective view of a model vehicle chassis mount showing our new design; FIG. 2 is an upper, right, rear perspective view thereof; FIG. 3 is a lower, right, front perspective view thereof; FIG. 4 is a lower, left, rear perspective view thereof; FIG. 5 is a front elevation view thereof; FIG. 6 is a rear elevation view thereof; FIG. 7 is an upper plan view thereof; FIG. 8 is a lower plan view thereof; FIG. 9 is a right-side elevation view thereof; and, FIG. 10 is a left-side elevation view of the model vehicle chassis mount.

In the drawings, the broken lines illustrate portions of the model vehicle chassis mount that form no part of the claimed design.

1 Claim, 7 Drawing Sheets



(56)

References Cited

U.S. PATENT DOCUMENTS

D1,100,066 S *	10/2025	Ewing	D21/562
D1,103,301 S *	11/2025	Ewing	D21/561
D1,104,169 S *	12/2025	Sprowl	D21/562
2023/0211247 A1 *	7/2023	Ryan	A63H 31/00 29/401.1
2023/0219010 A1 *	7/2023	Christensen	A63H 17/264 446/471
2024/0115965 A1 *	4/2024	Christensen	A63H 17/262
2024/0207749 A1 *	6/2024	Christensen	A63H 17/262

OTHER PUBLICATIONS

“Body Conversion kit” Nov. 24, 2023, Amazon, site visited Jan. 22, 2026: https://www.amazon.com/Conversion-latches-Hardware-Clipless-mounting/dp/B0CJZM8MSH/ref=pd_ci_mcx_di_int_sccai_cn_d_scl_2_56/146-4822964-3582728? (Year: 2023).*

“Will this work on the slash 4x4 ultimate?” 2025, Reddit, site visited Jan. 22, 2026: https://www.reddit.com/r/rccars/comments/ljhmime/will_this_work_on_the_slash_4x4_ultimate/?rdt=62376 (Year: 2025).*

“Traxxas 6940—Front & Rear Body Mounts” Nov. 27, 2024, Amazon, site visited Jan. 22, 2026: <https://www.amazon.com/>

Traxxas-6940-Front-Rear-Mounts/dp/B0CN2MFW9G/ref=pd_rhf_dp_s_ci_mcx_mr_d_scl_2_3/146-4822964-3582728? (Year: 2024).*

“Traxxas Front Body Mount w/ Adapter & Inserts (2)—Mount”, Jun. 1, 2017, Amazon, site visited Jan. 22, 2026: https://www.amazon.com/Traxxas-10124-Front-Adapter-Inserts/dp/B0CN2RTMLD/ref=pd_rhf_dp_s_ci_mcx_mr_d_scl_2_5/146-4822964-3582728? (Year: 2017).*

“Traxxas Body Mount Rear Insert Raptor 4x4 0020334014542” Apr. 11, 2024, Amazon, site visited Jan. 22, 2026: https://www.amazon.com/Traxxas-Mount-Insert-Raptor-0020334014542/dp/B0CLQ3H4BN/ref=pd_bxgy_d_scl_1/146-4822964-3582728?pd_rd_w=h40Db& (Year: 2024).*

“Traxxas Stampede 2WD Clipless Body Mount Latch System (F&R)” Feb. 6, 2025, Adrenaline Racing, site visited Jan. 22, 2026: <https://www.adrenalineracing.com/products/traxxas-stampede-2wd-clipless-body-mount-latch-system-f-r> (Year: 2025).*

“Traxxas Slash Clipless Body Mounts—How To Install & Stress Test!” Oct. 23, 2023, Youtube, site visited Jan. 22, 2026: <https://www.youtube.com/watch?v=8Mmtubrf9qk> (Year: 2023).*

Body conversion kit, Slash 2WD. Jan. 13, 2025. Gamifo, <https://www.gamifo.com/product-p-423353.html>.

Traxxas Slash 4x4 Clipless Body Conversion Kit (6928), 2025. eBay, <https://www.ebay.com/itm/266454443475>.

* cited by examiner

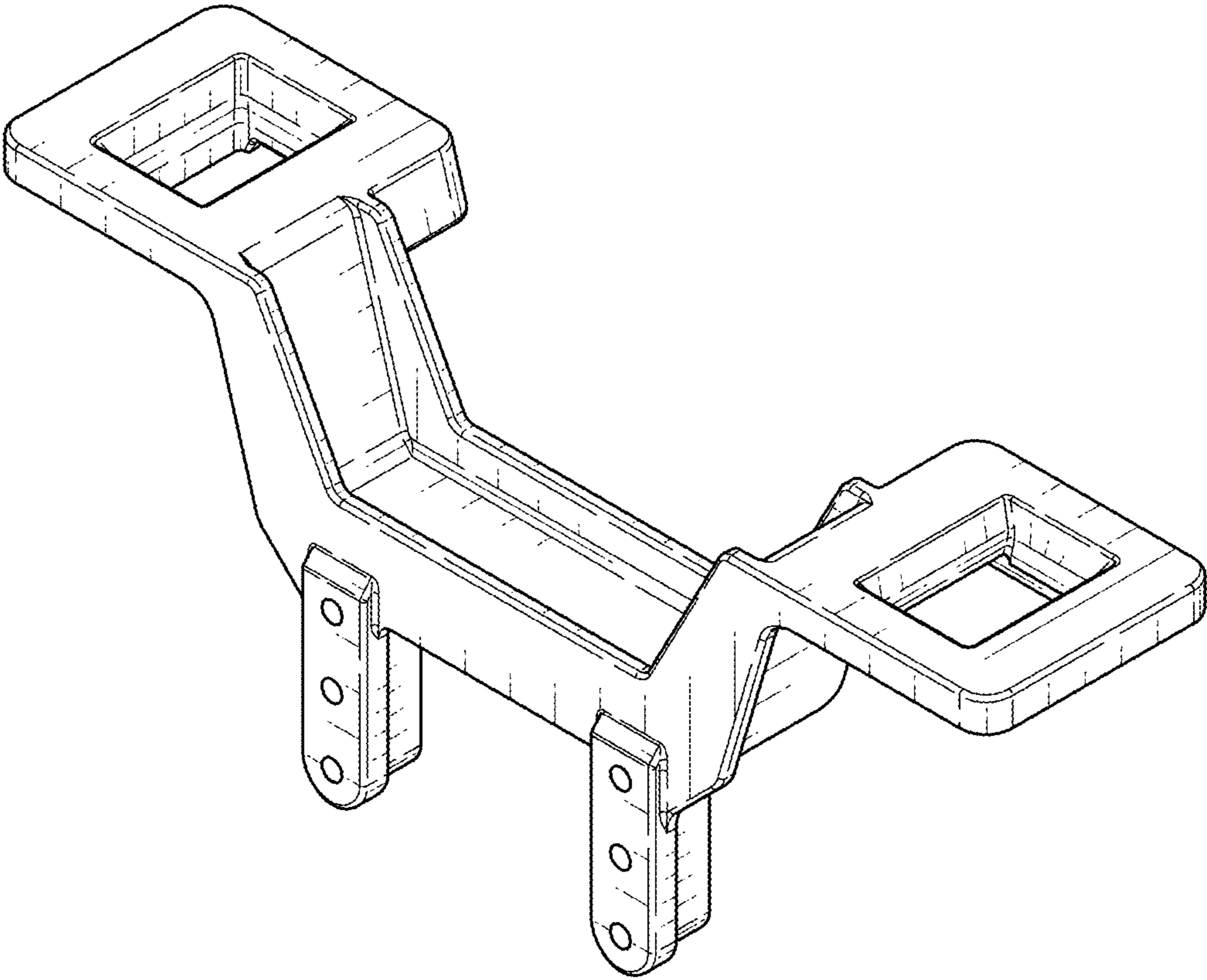


FIG. 1

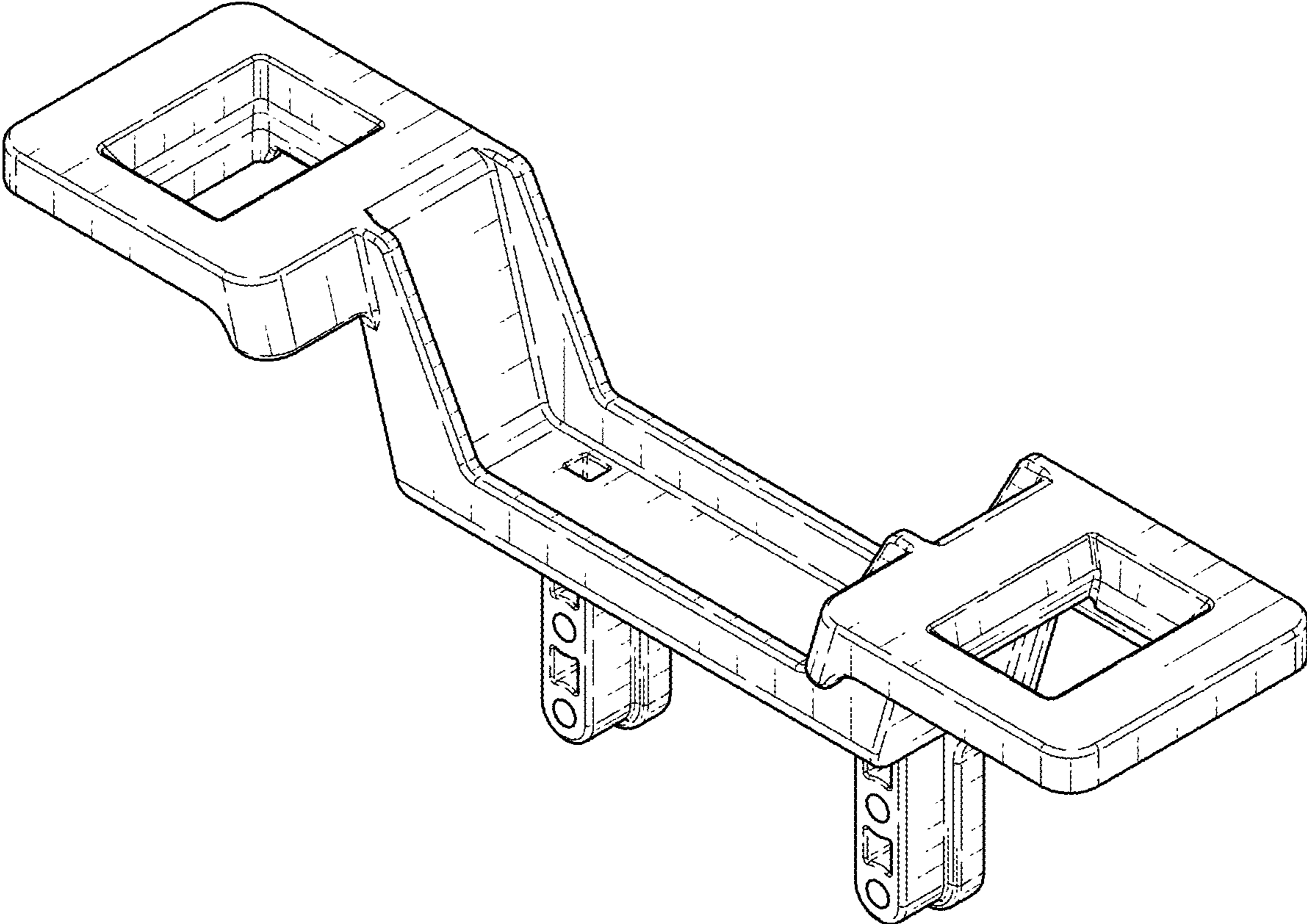


FIG. 2

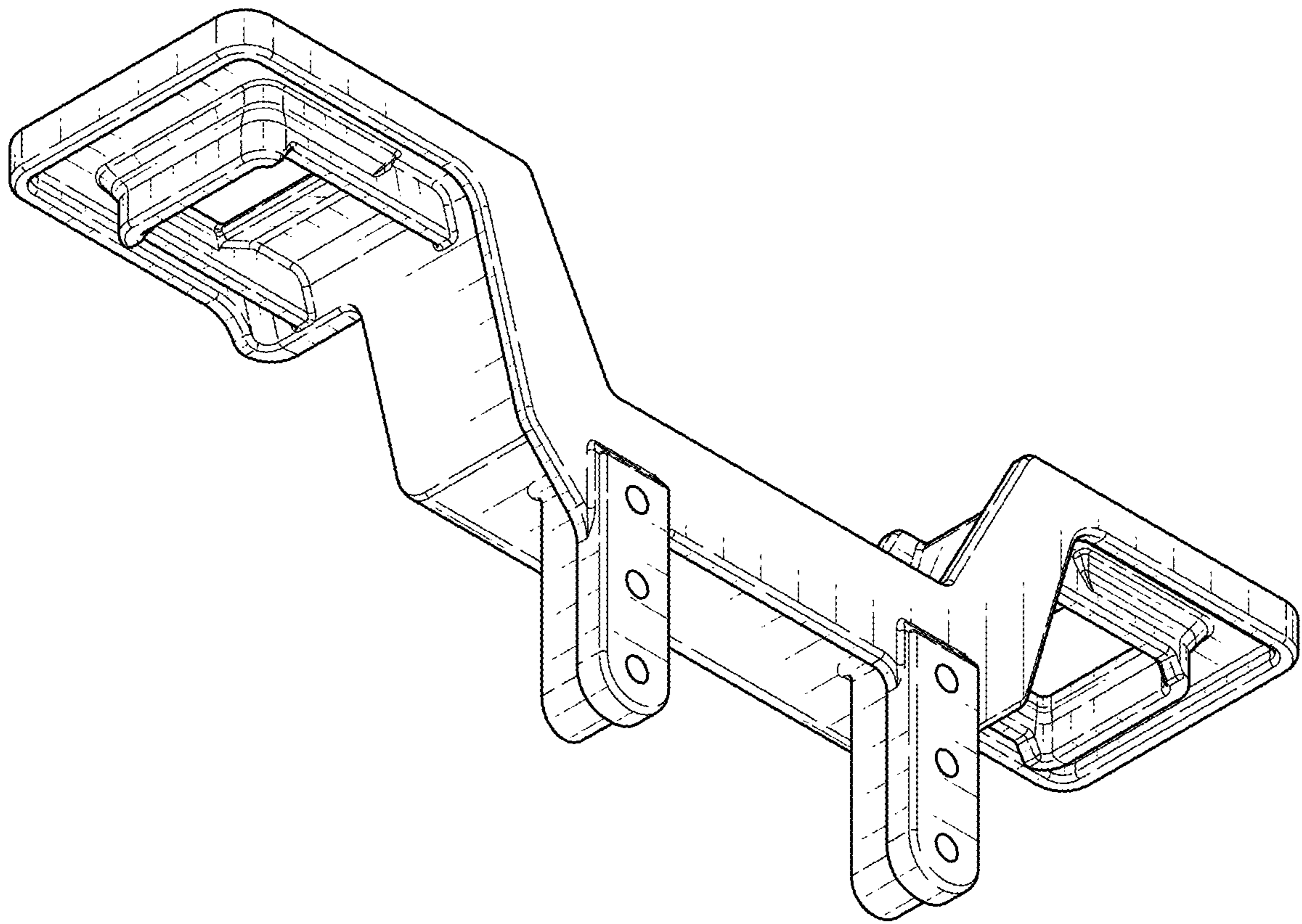


FIG. 3

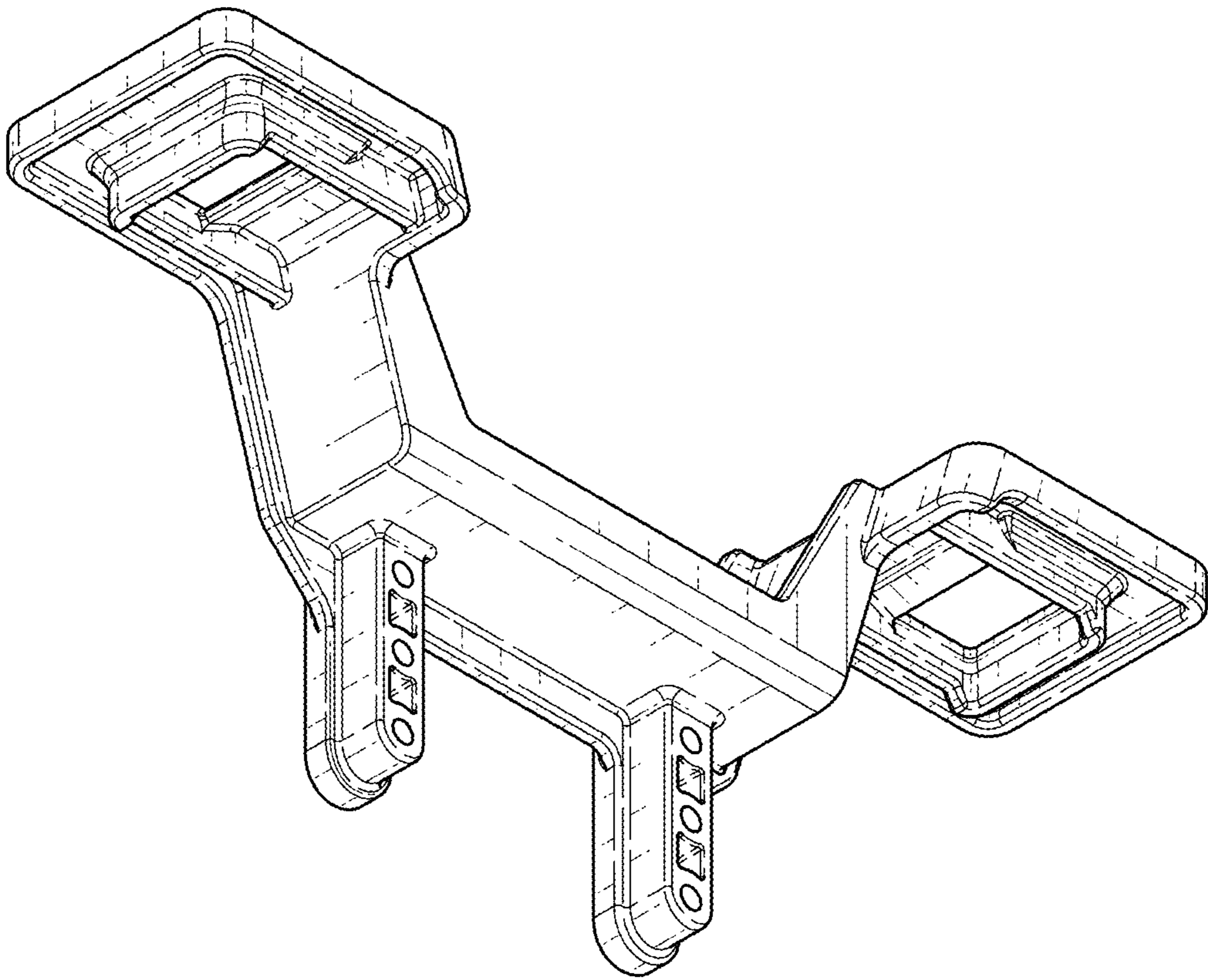


FIG. 4

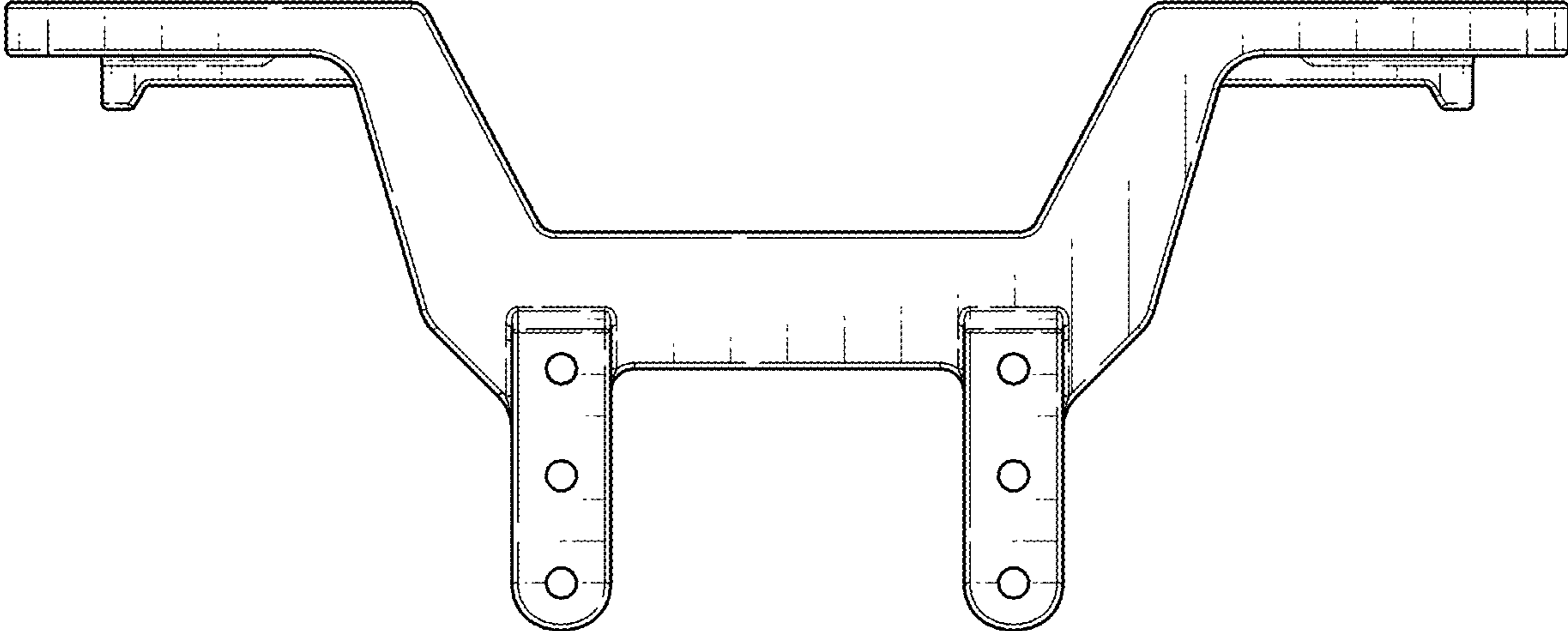


FIG. 5

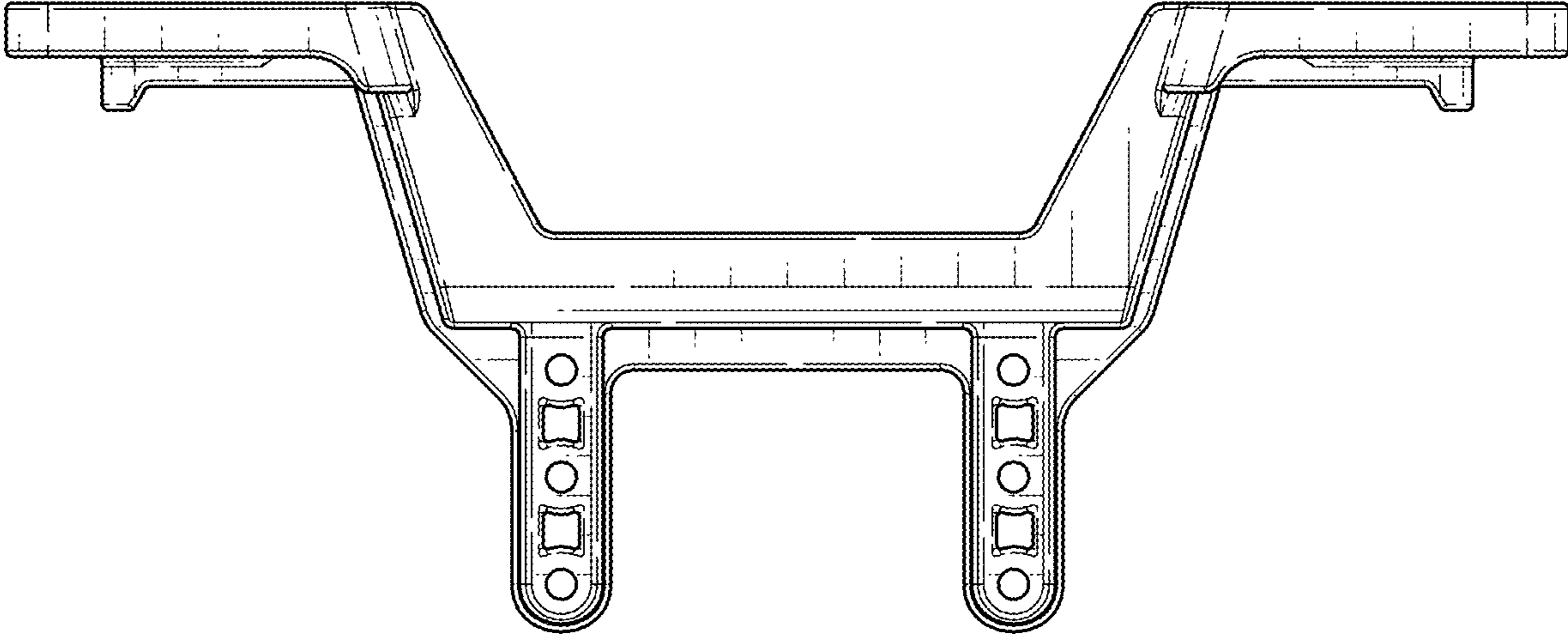


FIG. 6

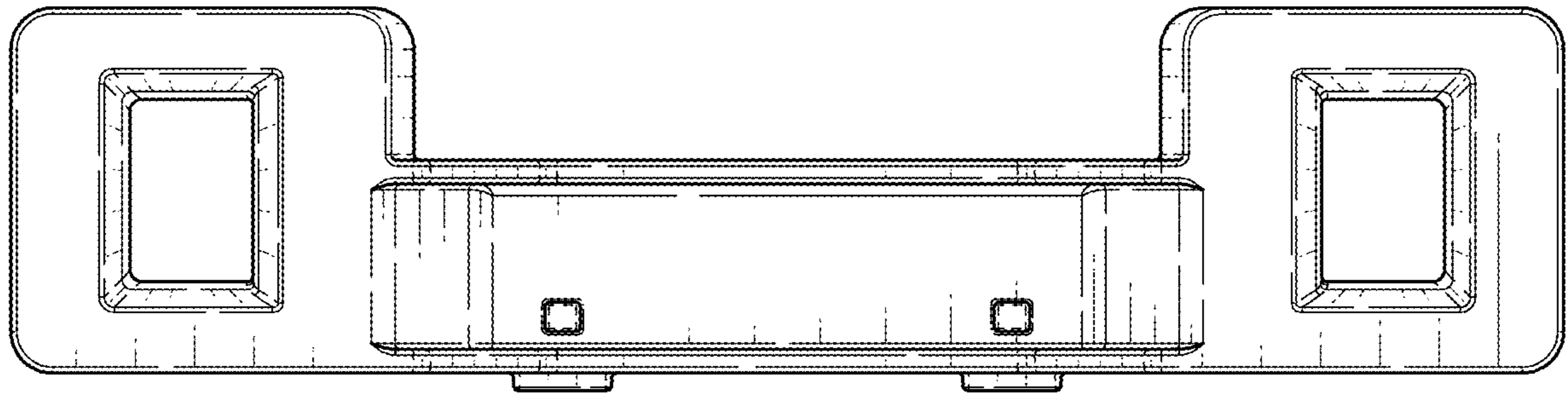


FIG. 7

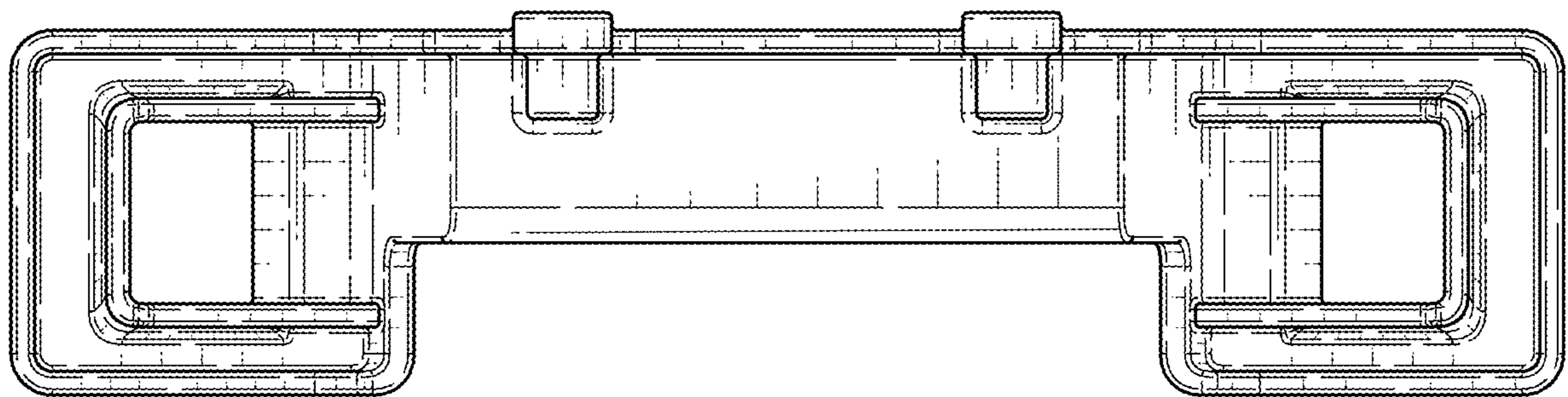


FIG. 8

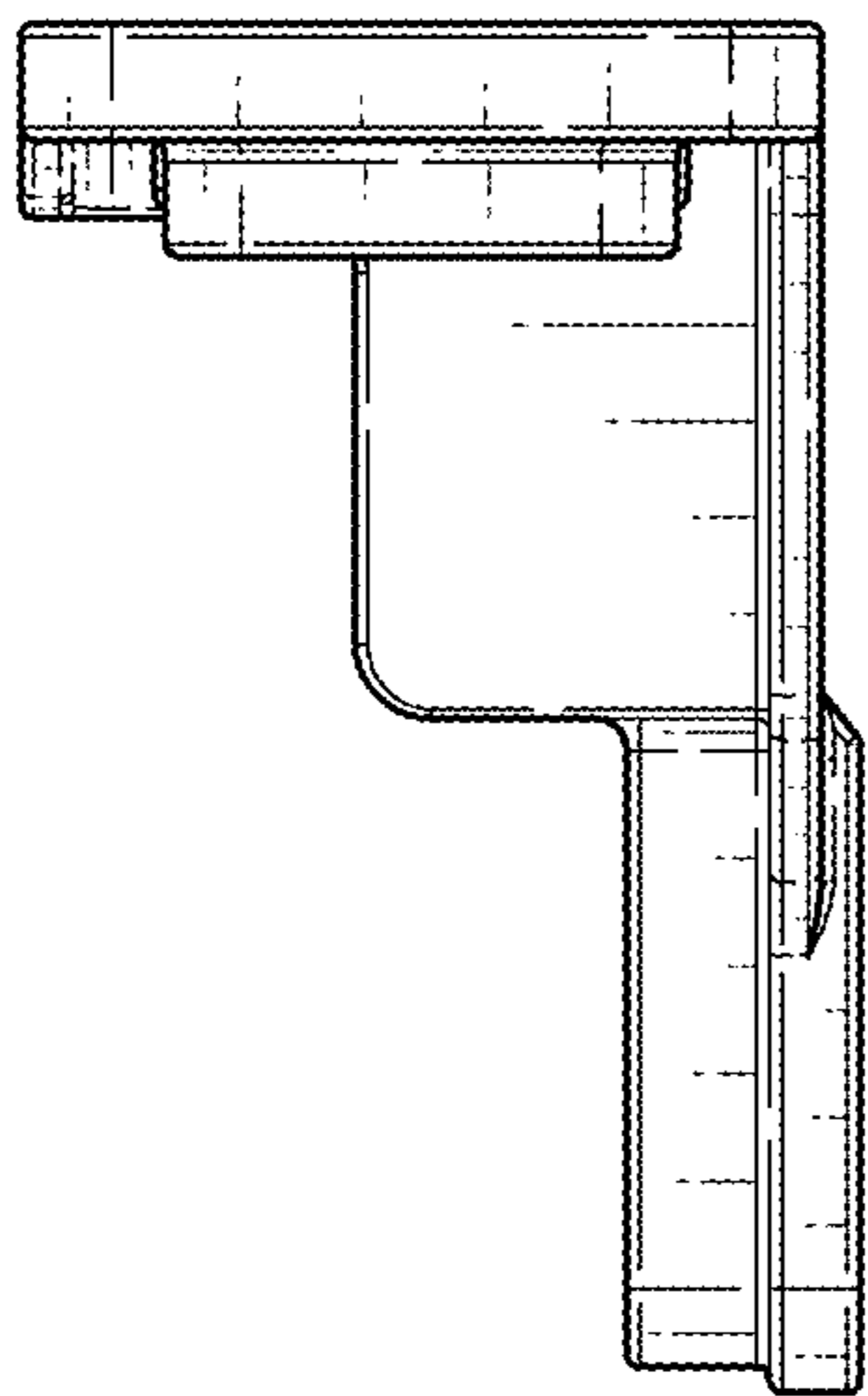


FIG. 9

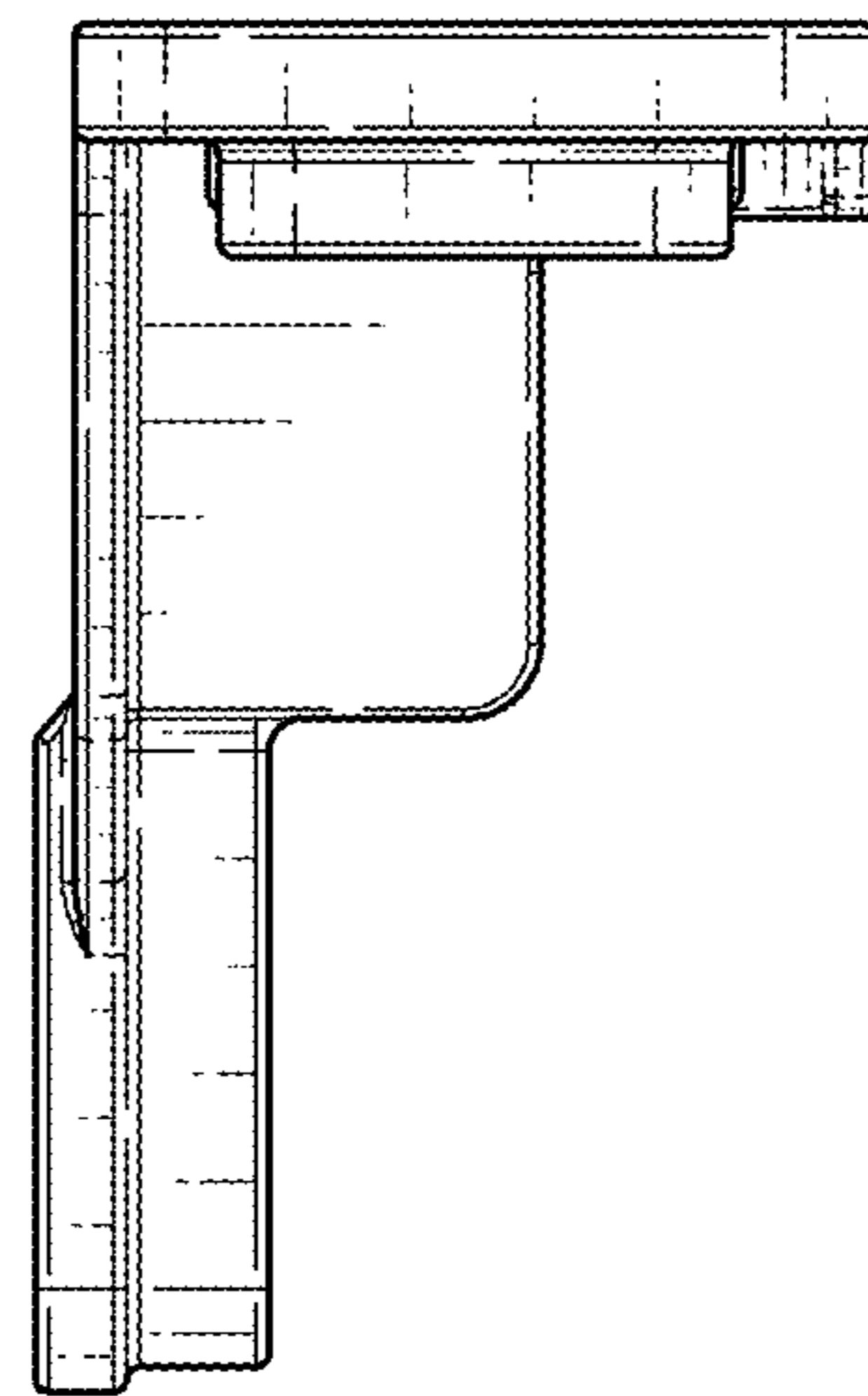


FIG. 10