



US0D1124176S

(12) **United States Design Patent**  
**Ewing et al.**

(10) **Patent No.:** **US D1,124,176 S**

(45) **Date of Patent:** **\*\* Apr. 28, 2026**

(54) **MODEL VEHICLE CHASSIS MOUNT**

(71) Applicant: **TRAXXAS, L.P.**, McKinney, TX (US)

(72) Inventors: **Adam Cole Ewing**, McKinney, TX (US); **Otto Karl Allmendinger**, Rowlett, TX (US); **Noah House**, Sachse, TX (US); **Ross Martin**, North Richland Hills, TX (US)

(73) Assignee: **TRAXXAS, L.P.**, McKinney, TX (US)

(\*\*) Term: **15 Years**

(21) Appl. No.: **29/938,973**

(22) Filed: **Apr. 24, 2024**

(51) **LOC (15) Cl.** ..... **21-02**

(52) **U.S. Cl.**  
USPC ..... **D21/561**

(58) **Field of Classification Search**  
USPC ..... D12/86, 90–92, 181–184, 196, 206, 400, D12/87, 88, 159; D21/424, 433, 533, D21/548, 549, 551, 561; D11/125, 163  
CPC ..... F21S 41/43; B62D 25/00; B62D 25/02; B62D 25/06; B62D 35/00; B62D 35/005; B62D 35/007; B62D 35/008; B62D 35/02; A63H 17/262; A63H 17/26; A63H 17/002; A63H 17/004  
See application file for complete search history.

(56) **References Cited**

**U.S. PATENT DOCUMENTS**

D905,798 S	*	12/2020	Ewing	.....	D12/159
D944,901 S	*	3/2022	Ewing	.....	D21/562
D951,148 S	*	5/2022	Ewing	.....	D12/159
D964,482 S	*	9/2022	Ewing	.....	D21/562
D976,338 S	*	1/2023	Li	.....	D21/548
12,065,009 B2	*	8/2024	Connell	.....	F16C 17/105
D1,046,011 S	*	10/2024	Ewing	.....	D21/561
D1,051,242 S	*	11/2024	Ewing	.....	D21/561
D1,051,243 S	*	11/2024	Ewing	.....	D21/561

D1,051,246 S	*	11/2024	Ewing	.....	D21/562
D1,051,247 S	*	11/2024	Ewing	.....	D21/562
D1,072,076 S		4/2025	Hix et al.		
D1,074,855 S	*	5/2025	Ewing	.....	D21/549
D1,095,699 S	*	9/2025	Ewing	.....	D21/562
D1,095,700 S	*	9/2025	Ewing	.....	D21/562
D1,100,066 S	*	10/2025	Ewing	.....	D21/562
D1,103,301 S	*	11/2025	Ewing	.....	D21/561
D1,104,169 S	*	12/2025	Sprowl	.....	D21/562

(Continued)

**OTHER PUBLICATIONS**

“Slash Clipless Body Mounts (F&R)”, Traxxas, site visited Jan. 22, 2026: <https://traxxas.com/6940-slash-4x4-clipless-body-mounts-fr>.\*

(Continued)

*Primary Examiner* — Erich G Herbermann

*Assistant Examiner* — Salamah Jordan

(74) *Attorney, Agent, or Firm* — Daryl R. Wright; Greg Carr

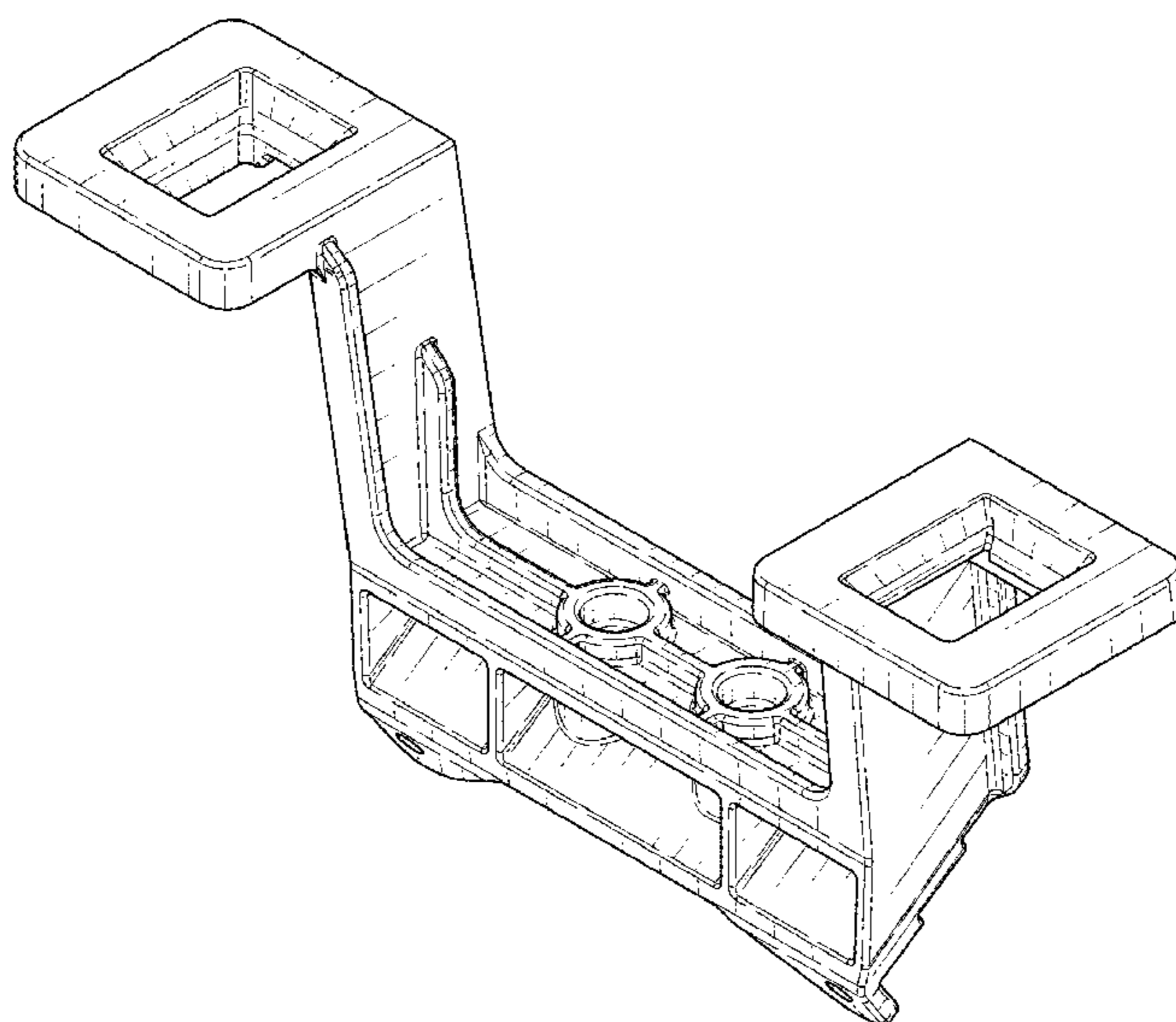
(57) **CLAIM**

The ornamental design for a model vehicle chassis mount as shown and described.

**DESCRIPTION**

FIG. 1 is an upper, left, front perspective view of a model vehicle chassis mount showing our new design; FIG. 2 is an upper, right, rear perspective view thereof; FIG. 3 is a lower, right, front perspective view thereof; FIG. 4 is a lower, left, rear perspective view thereof; FIG. 5 is a front elevation view thereof; FIG. 6 is a rear elevation view thereof; FIG. 7 is an upper plan view thereof; FIG. 8 is a lower plan view thereof; FIG. 9 is a right-side elevation view thereof; and, FIG. 10 is a left-side elevation view of the model vehicle chassis mount.

**1 Claim, 7 Drawing Sheets**



(56)

**References Cited**

U.S. PATENT DOCUMENTS

2023/0211247 A1\* 7/2023 Ryan ..... A63H 31/00  
29/401.1  
2023/0219010 A1\* 7/2023 Christensen ..... A63H 17/264  
446/471  
2024/0115965 A1\* 4/2024 Christensen ..... A63H 17/262  
2024/0207749 A1\* 6/2024 Christensen ..... A63H 17/262

OTHER PUBLICATIONS

“Traxxas Slash Clipless Body Mounts—How To Install & Stress Test!” Oct. 23, 2023, Youtube, site visited Jan. 22, 2026: <https://www.youtube.com/watch?v=8Mmtubr9qk> (Year: 2023).\*

“Will this work on the slash 4x4 ultimate?” 2025, Reddit, site visited Jan. 22, 2026: [https://www.reddit.com/r/rccars/comments/ljhmime/will\\_this\\_work\\_on\\_the\\_slash\\_4x4\\_ultimate/?rdt=62376](https://www.reddit.com/r/rccars/comments/ljhmime/will_this_work_on_the_slash_4x4_ultimate/?rdt=62376) (Year: 2025).\*

“Traxxas 6940—Front & Rear Body Mounts” Nov. 27, 2024, Amazon, site visited Jan. 22, 2026: <https://www.amazon.com/>

Traxxas-6940-Front-Rear-Mounts/dp/B0CN2MFW9G/ref=pd\_rhf\_dp\_s\_ci\_mcx\_mr\_d\_sccl\_2\_3/146-4822964-3582728? (Year: 2024).\*

“Traxxas Front Body Mount w/ Adapter & Inserts (2)—Mount”, Jun. 1, 2017, Amazon, site visited Jan. 22, 2026: [https://www.amazon.com/Traxxas-10124-Front-Adapter-Inserts/dp/B0CN2RTMLD/ref=pd\\_rhf\\_dp\\_s\\_ci\\_mcx\\_mr\\_d\\_sccl\\_2\\_5/146-4822964-3582728?](https://www.amazon.com/Traxxas-10124-Front-Adapter-Inserts/dp/B0CN2RTMLD/ref=pd_rhf_dp_s_ci_mcx_mr_d_sccl_2_5/146-4822964-3582728? (Year: 2017).*)

“Traxxas Body Mount Rear Insert Raptor 4x4 0020334014542” Apr. 11, 2024, Amazon, site visited Jan. 22, 2026: [https://www.amazon.com/Traxxas-Mount-Insert-Raptor-0020334014542/dp/B0CLQ3H4BN/ref=pd\\_bxgy\\_d\\_sccl\\_1/146-4822964-3582728?pd\\_rd\\_w=h40Db&](https://www.amazon.com/Traxxas-Mount-Insert-Raptor-0020334014542/dp/B0CLQ3H4BN/ref=pd_bxgy_d_sccl_1/146-4822964-3582728?pd_rd_w=h40Db& (Year: 2024).*)

“Traxxas Stampede 2WD Clipless Body Mount Latch System (F&R)” Feb. 6, 2025, Adrenaline Racing, site visited Jan. 22, 2026: [https://www.adrenalineracing.com/products/traxxas-stampede-2wd-clipless-body-mount-latch-system-f-r \(Year: 2025\).\\*](https://www.adrenalineracing.com/products/traxxas-stampede-2wd-clipless-body-mount-latch-system-f-r (Year: 2025).*)

Body conversion kit, Slash 2WD. Jan. 13, 2025. Gamifo, <https://www.gamifo.com/product-p-423353.html>.

Traxxas Slash 4x4 Clipless Body Conversion Kit (6928), 2025. eBay, <https://www.ebay.com/itm/266454443475>.

\* cited by examiner

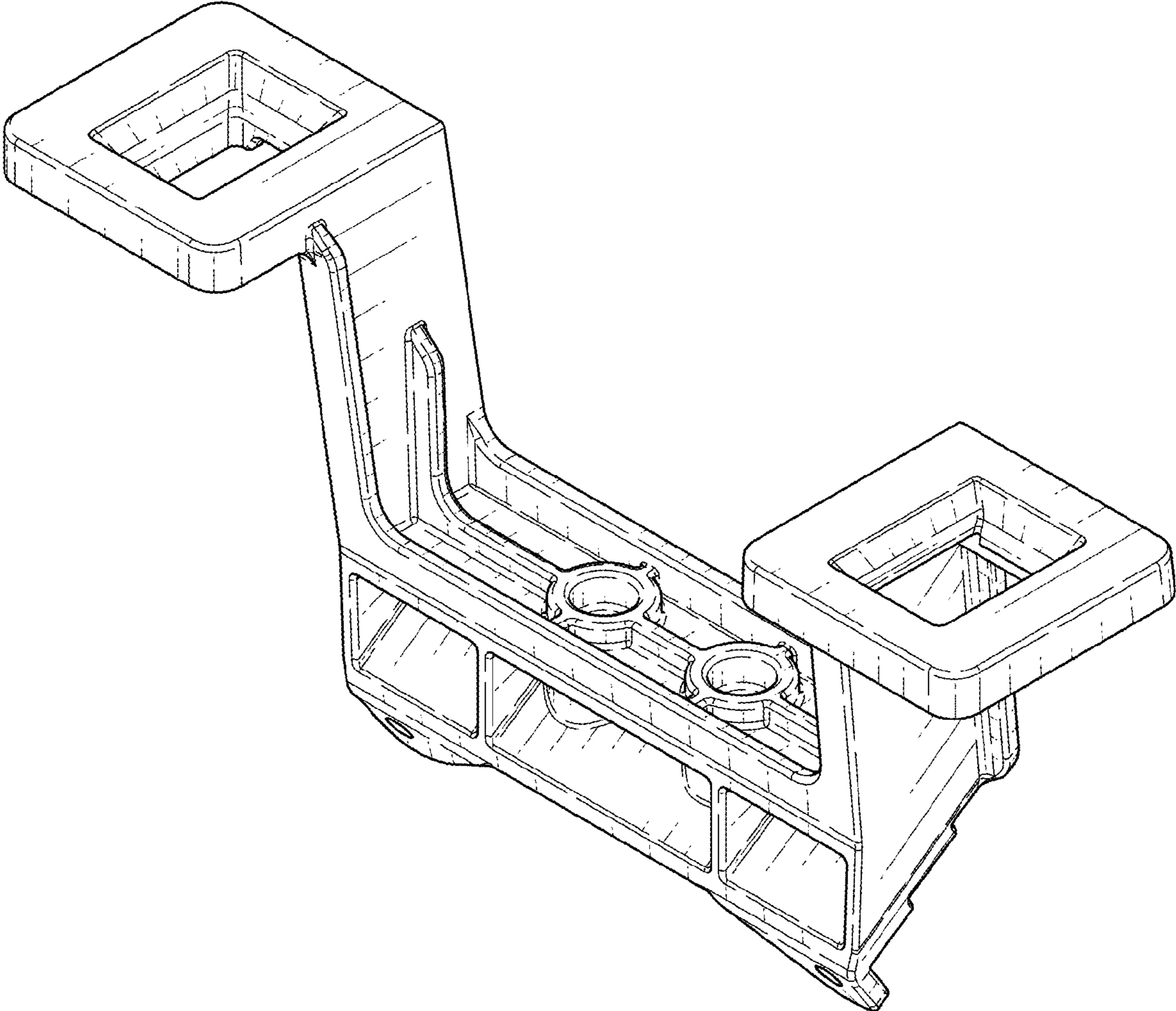


FIG. 1

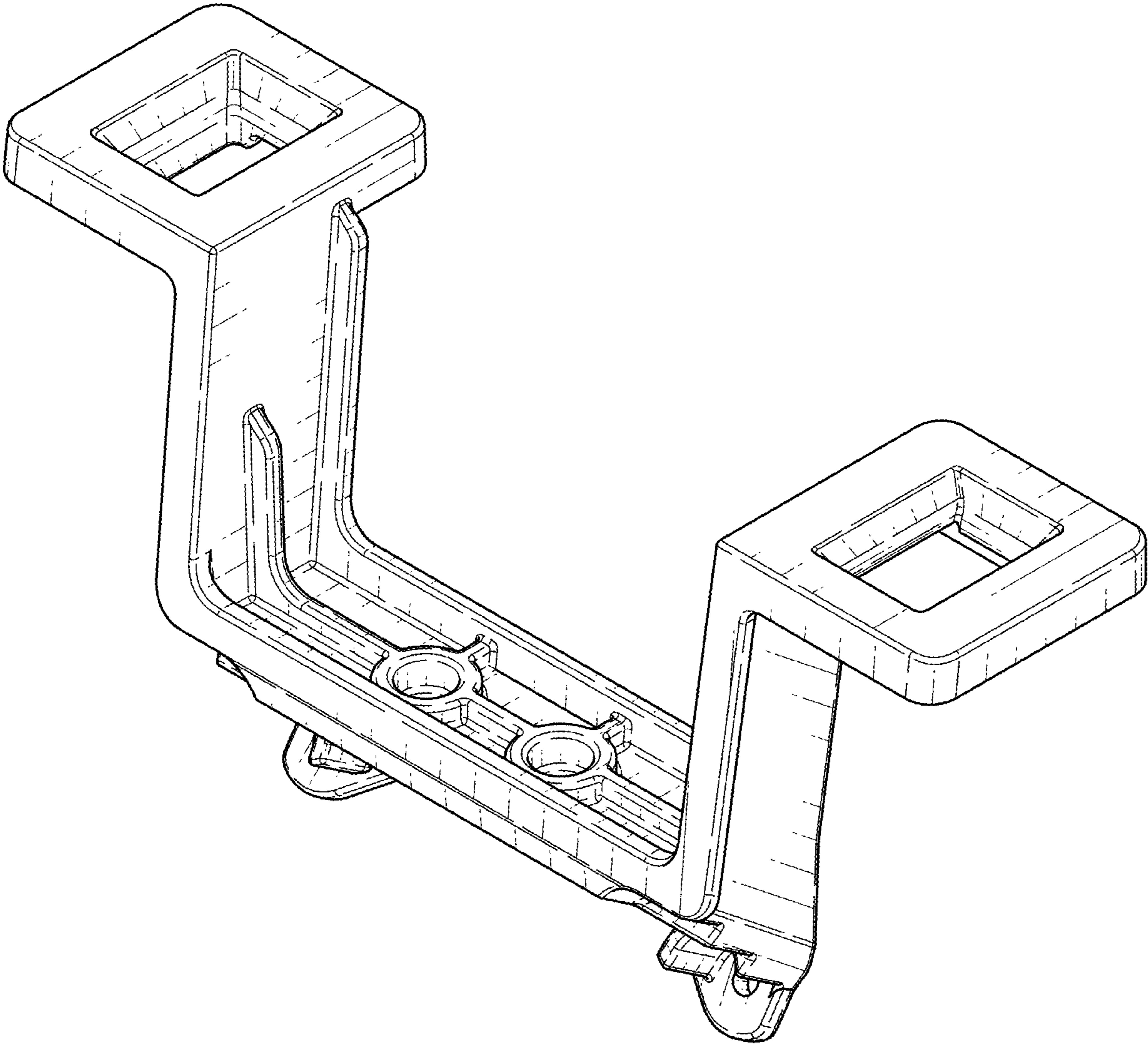


FIG. 2

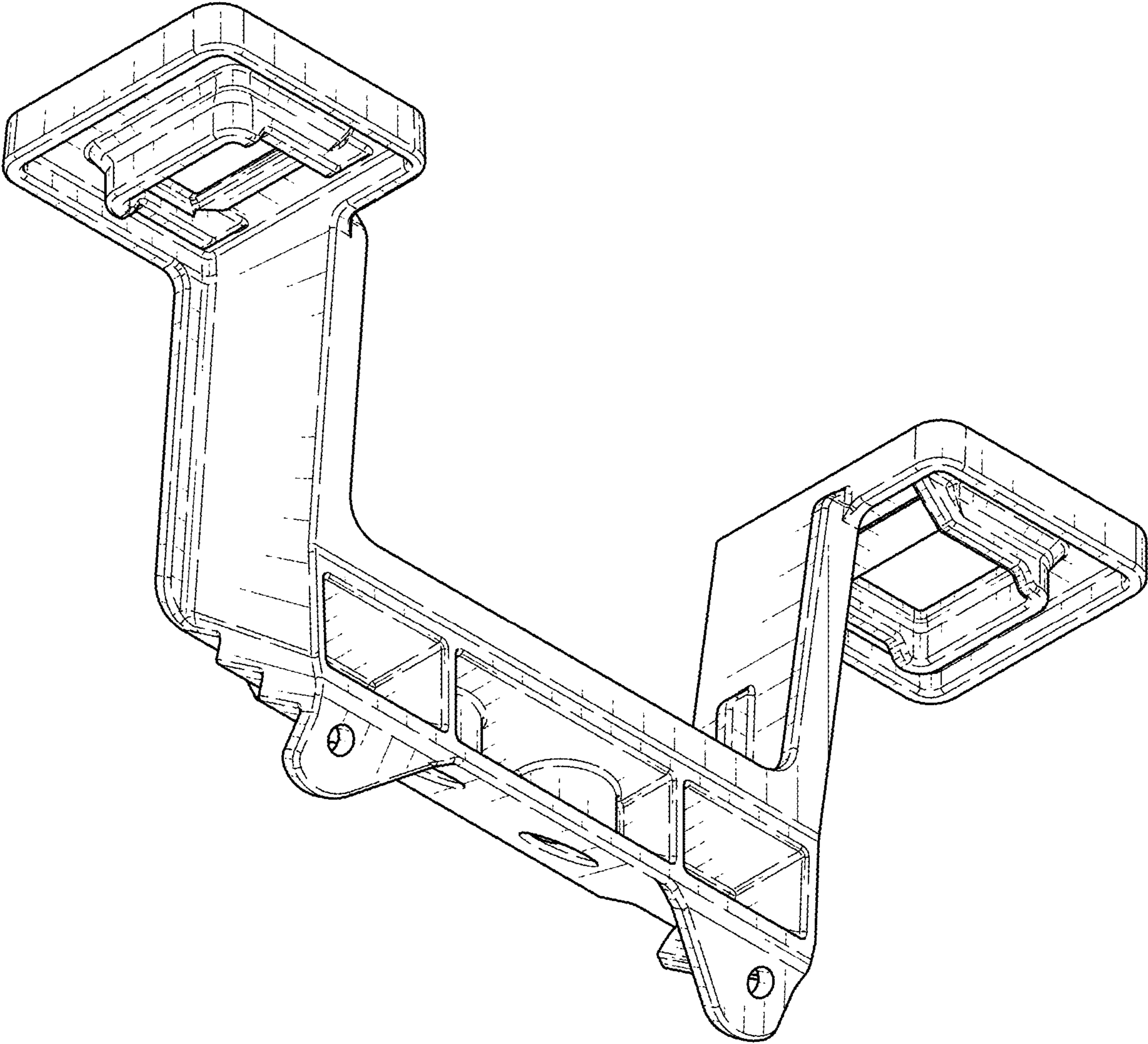


FIG. 3

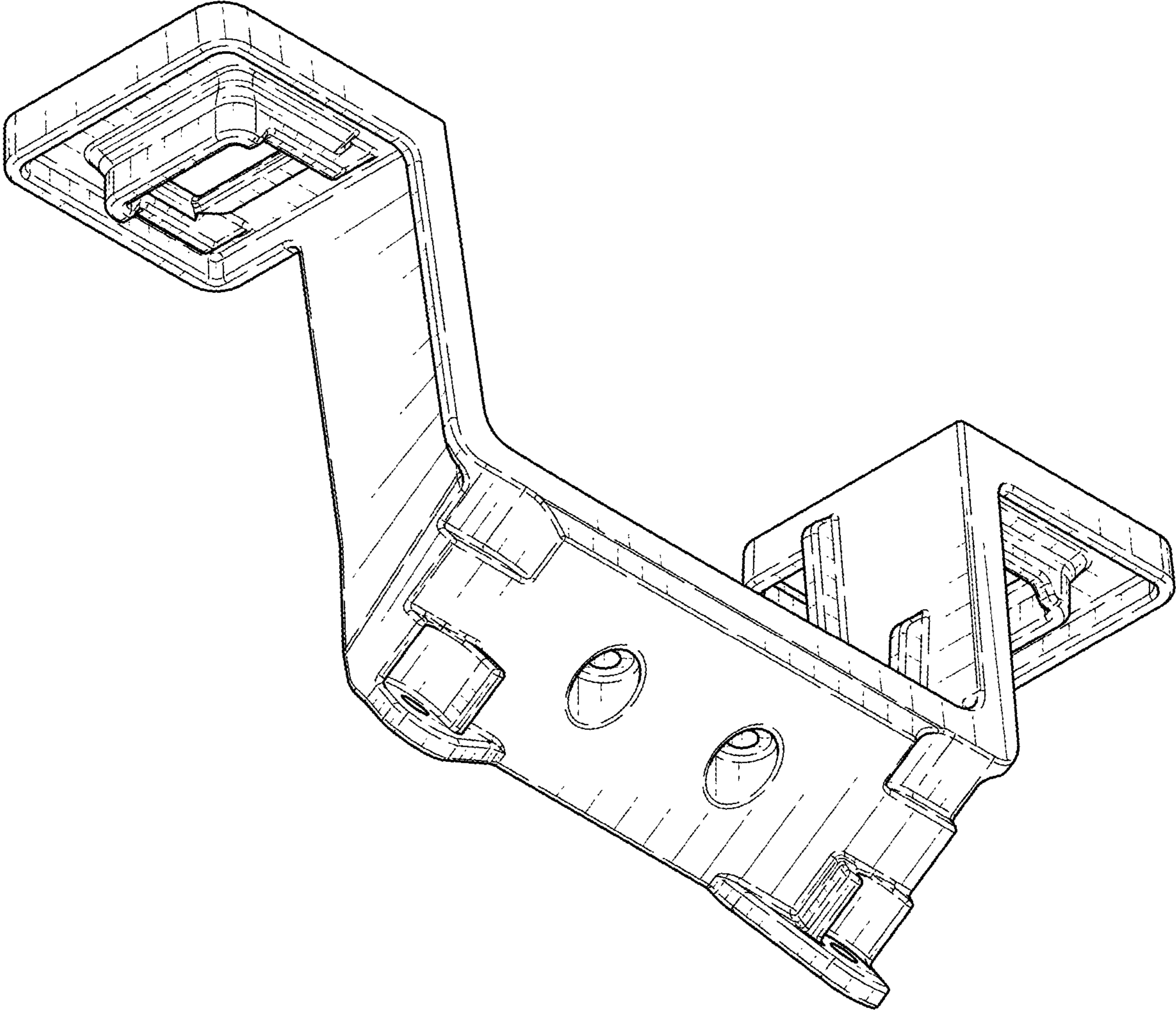


FIG. 4

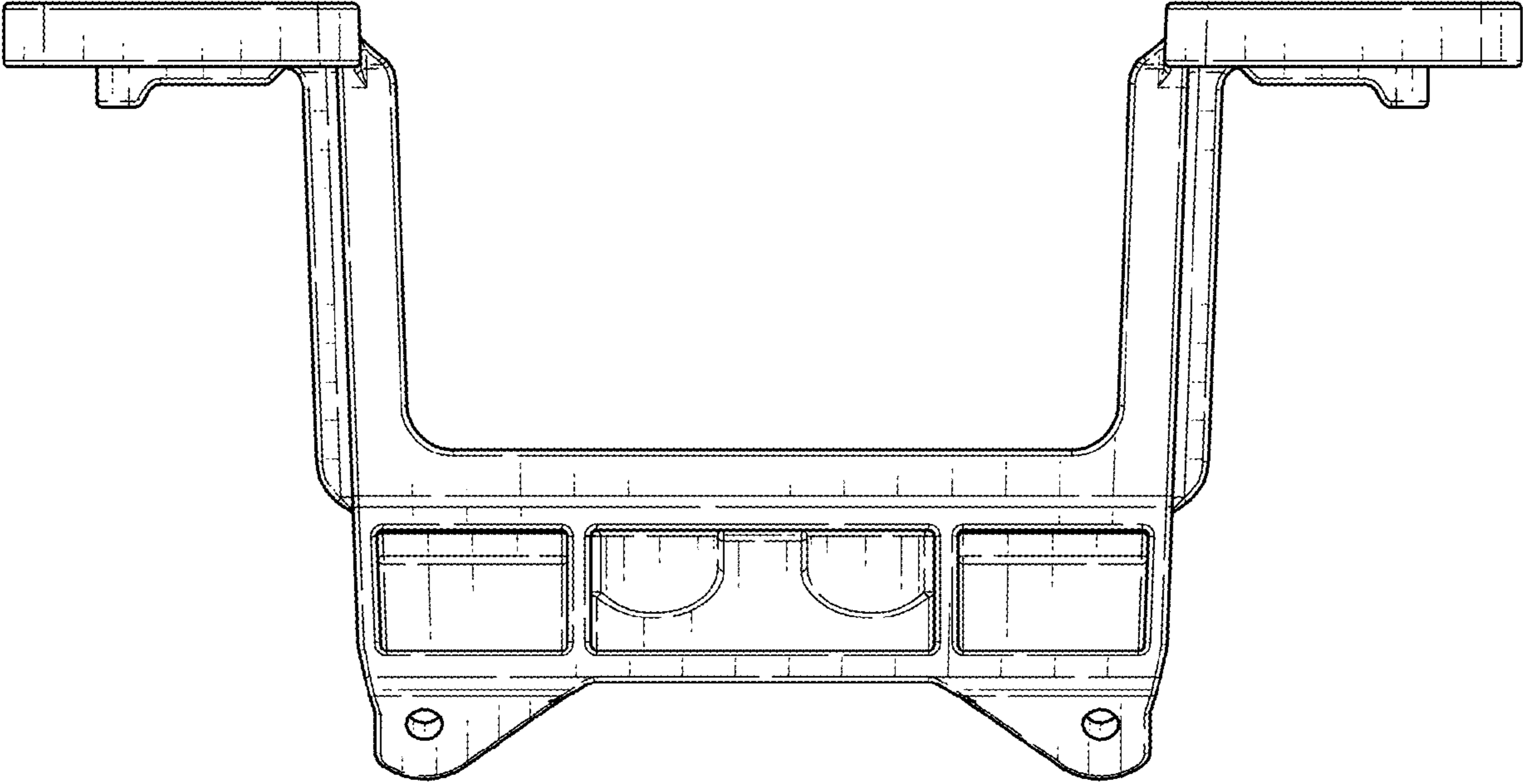


FIG. 5

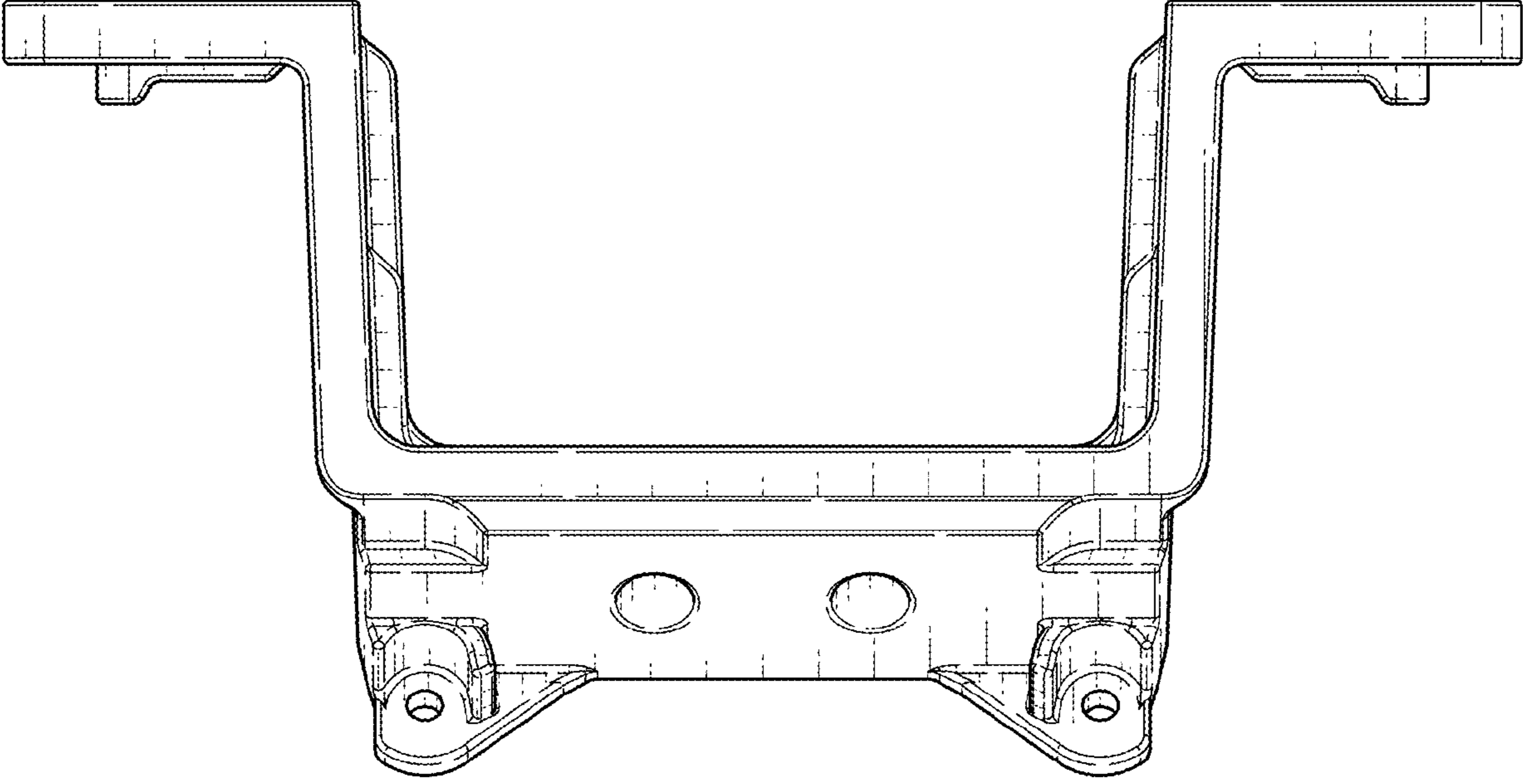


FIG. 6

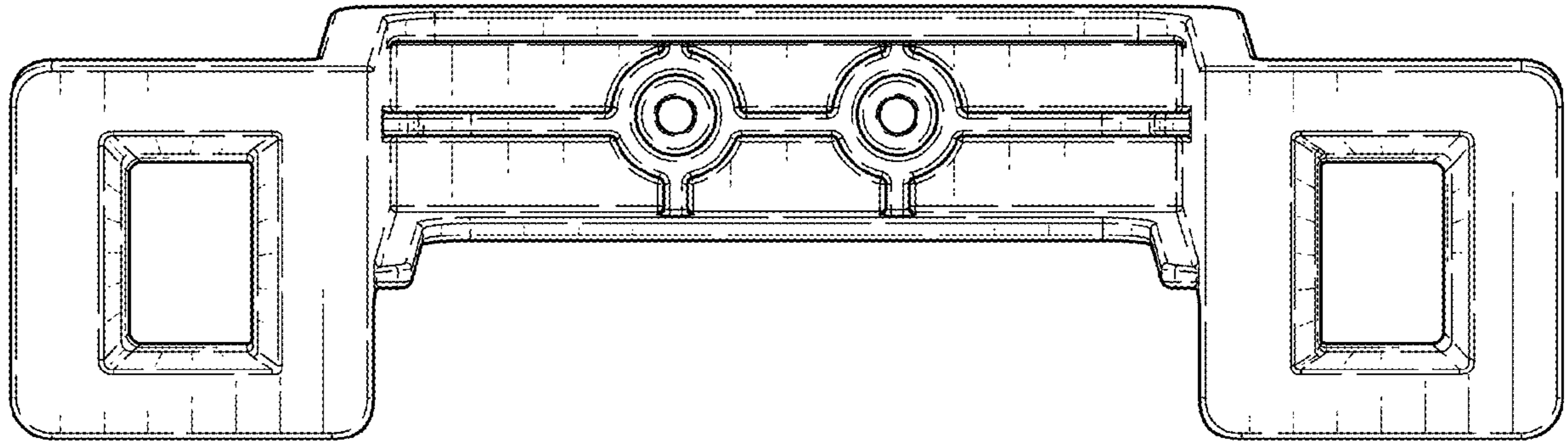


FIG. 7

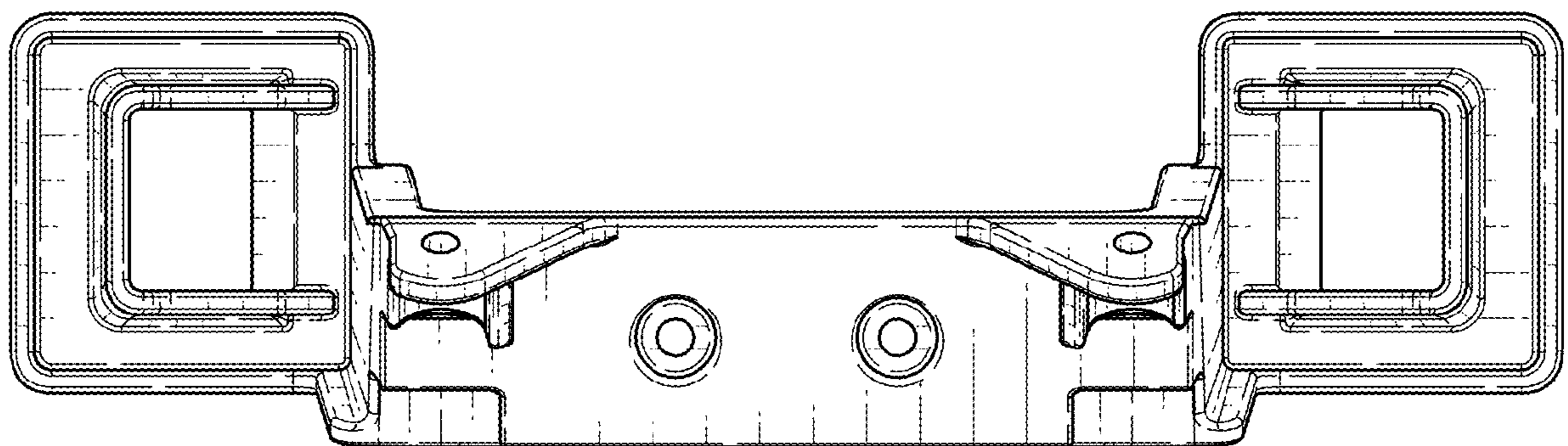


FIG. 8

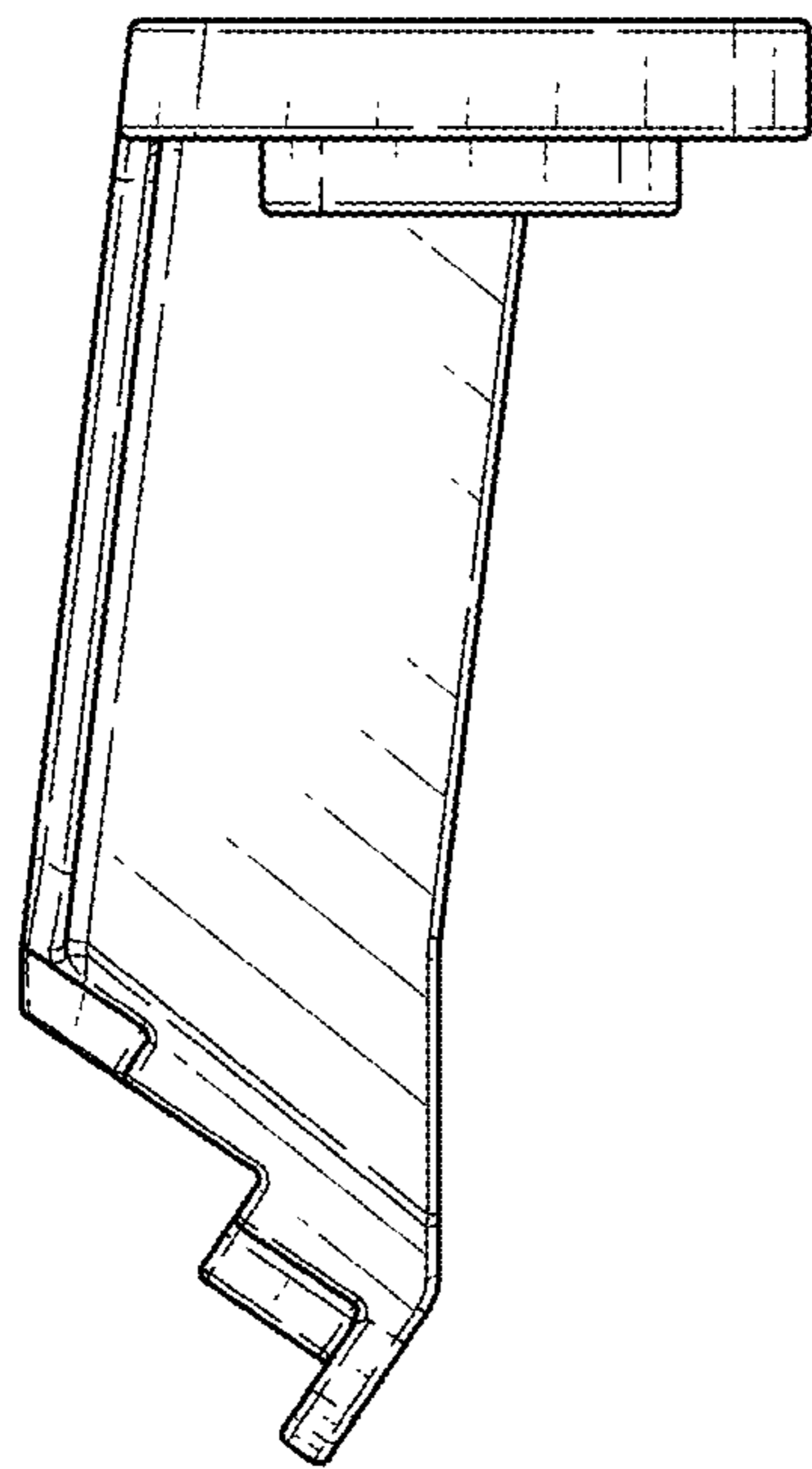


FIG. 9

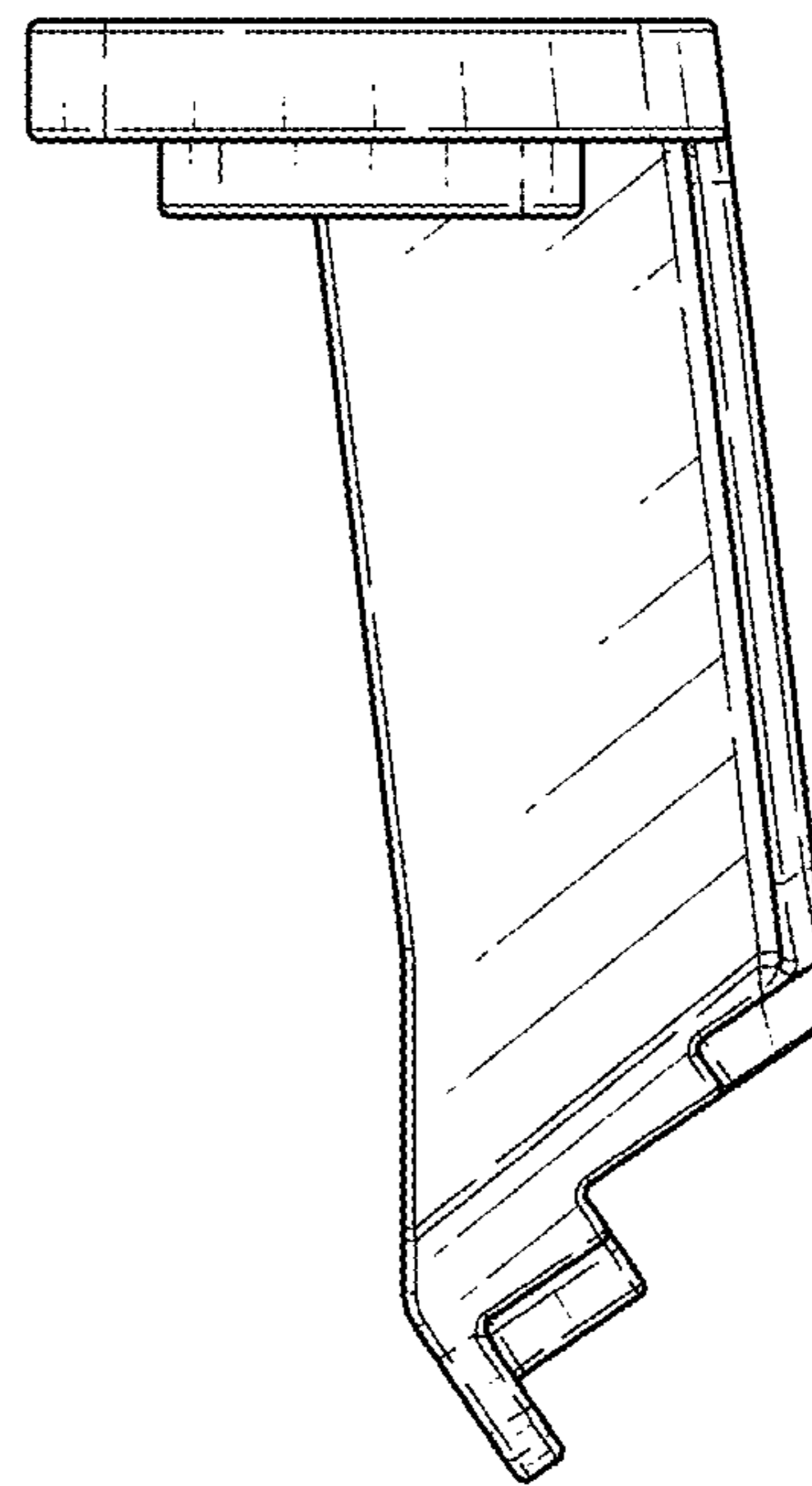


FIG. 10