



US0D1124175S

(12) **United States Design Patent**  
**Ewing et al.**

(10) **Patent No.:** **US D1,124,175 S**

(45) **Date of Patent:** **\*\* Apr. 28, 2026**

(54) **MODEL VEHICLE BODY MOUNT**

(71) Applicant: **TRAXXAS, L.P.**, McKinney, TX (US)

(72) Inventors: **Adam Cole Ewing**, McKinney, TX (US); **Otto Karl Allmendinger**, Rowlett, TX (US); **Noah House**, Sachse, TX (US); **Ross Martin**, North Richland Hills, TX (US)

(73) Assignee: **TRAXXAS, L.P.**, McKinney, TX (US)

(\*\*) Term: **15 Years**

(21) Appl. No.: **29/938,933**

(22) Filed: **Apr. 24, 2024**

(51) **LOC (15) Cl.** ..... **21-02**

(52) **U.S. Cl.**  
USPC ..... **D21/561**

(58) **Field of Classification Search**  
USPC ..... D12/86, 90-92, 181-184, 196, 206, 400, D12/87, 88, 159; D21/424, 433, 533, D21/548, 549, 551, 561; D11/125, 163  
CPC ..... F21S 41/43; B62D 25/00; B62D 25/02; B62D 25/06; B62D 35/00; B62D 35/005; B62D 35/007; B62D 35/008; B62D 35/02; A63H 17/262; A63H 17/26; A63H 17/002; A63H 17/004

See application file for complete search history.

(56) **References Cited**

**U.S. PATENT DOCUMENTS**

D624,461 S	9/2010	Noble et al.	
D905,798 S *	12/2020	Ewing .....	D12/159
D944,901 S *	3/2022	Ewing .....	D21/562
D951,148 S *	5/2022	Ewing .....	D12/159
D964,482 S *	9/2022	Ewing .....	D21/562
D976,294 S	1/2023	Saunders et al.	
D976,338 S *	1/2023	Li .....	D21/548
D1,014,653 S	2/2024	Christensen et al.	
12,065,009 B2 *	8/2024	Connell .....	F16C 17/105
D1,046,011 S *	10/2024	Ewing .....	D21/561

D1,051,242 S *	11/2024	Ewing .....	D21/561
D1,051,243 S *	11/2024	Ewing .....	D21/561
D1,051,246 S *	11/2024	Ewing .....	D21/562
D1,051,247 S *	11/2024	Ewing .....	D21/562
D1,054,505 S	12/2024	Collins et al.	

(Continued)

**FOREIGN PATENT DOCUMENTS**

GB 6399822 10/2024

**OTHER PUBLICATIONS**

“Slash Clipless Body Mounts (F&R)”, Traxxas, site visited Jan. 22, 2026: [https://traxxas.com/6940-slash-4x4-clipless-body-mounts-fr.\\*](https://traxxas.com/6940-slash-4x4-clipless-body-mounts-fr.*)

(Continued)

*Primary Examiner* — Erich G Herbermann

*Assistant Examiner* — Salamah Jordan

(74) *Attorney, Agent, or Firm* — Daryl R. Wright; Greg Carr

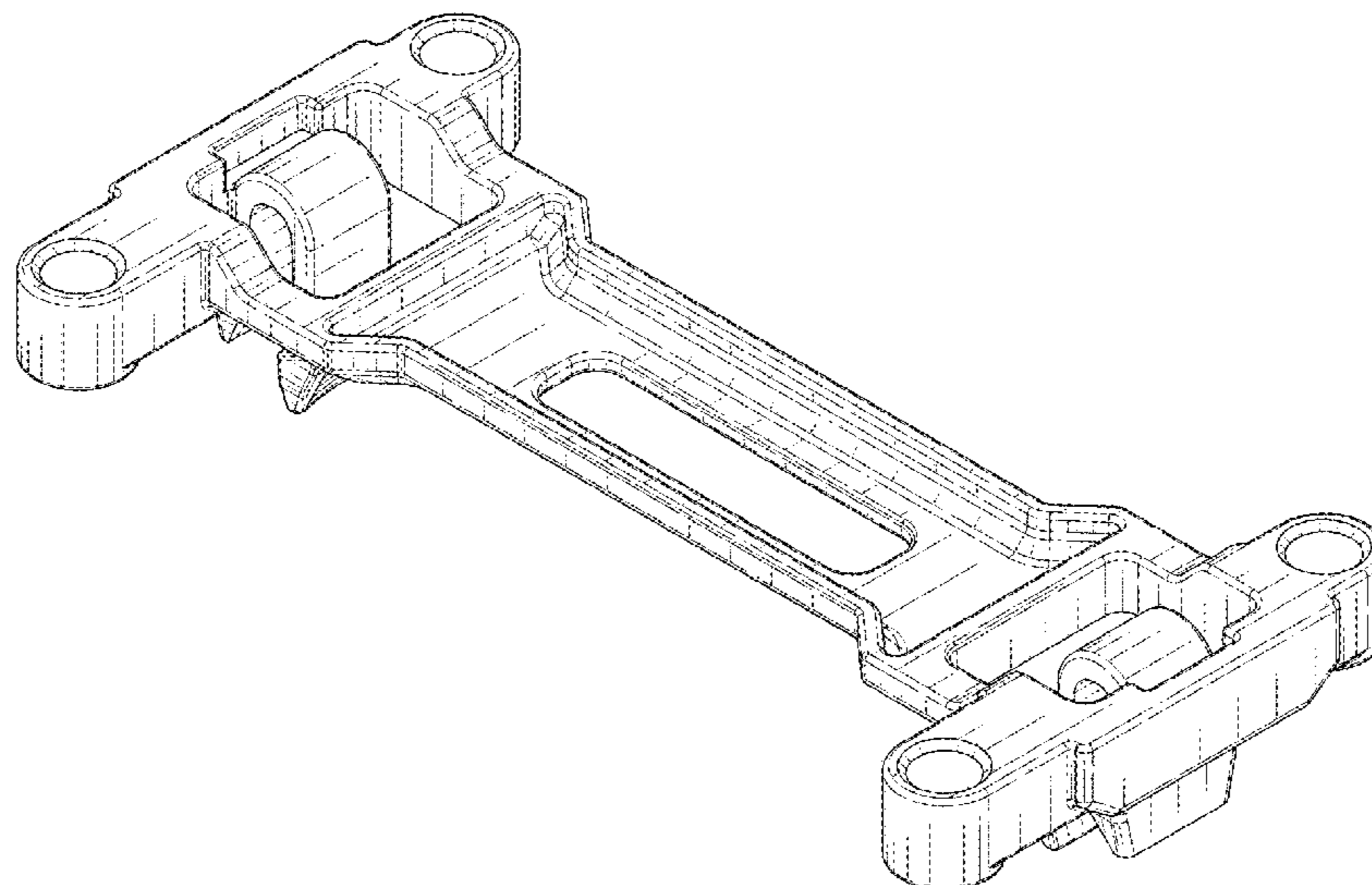
(57) **CLAIM**

The ornamental design for a model vehicle body mount as shown and described.

**DESCRIPTION**

FIG. 1 is an upper, left, front perspective view of a model vehicle body mount showing our new design; FIG. 2 is an upper, right, rear perspective view thereof; FIG. 3 is a lower, right, front perspective view thereof; FIG. 4 is a lower, left, rear perspective view thereof; FIG. 5 is a front elevation view thereof; FIG. 6 is a rear elevation view thereof; FIG. 7 is an upper plan view thereof; FIG. 8 is a lower plan view thereof; FIG. 9 is a right-side elevation view thereof; and, FIG. 10 is a left-side elevation view of the model vehicle body mount.

**1 Claim, 8 Drawing Sheets**



(56)

References Cited

U.S. PATENT DOCUMENTS

D1,074,855	S	*	5/2025	Ewing	.....	D21/549
D1,095,699	S	*	9/2025	Ewing	.....	D21/562
D1,095,700	S	*	9/2025	Ewing	.....	D21/562
D1,100,066	S	*	10/2025	Ewing	.....	D21/562
D1,103,301	S	*	11/2025	Ewing	.....	D21/561
D1,104,169	S	*	12/2025	Sprowl	.....	D21/562
2023/0211247	A1	*	7/2023	Ryan	.....	A63H 31/00 29/401.1
2023/0219010	A1	*	7/2023	Christensen	.....	A63H 17/264 446/471
2024/0115965	A1	*	4/2024	Christensen	.....	A63H 17/262
2024/0207749	A1	*	6/2024	Christensen	.....	A63H 17/262

OTHER PUBLICATIONS

“Body Conversion kit” Nov. 24, 2023, Amazon, site visited Jan. 22, 2026: [https://www.amazon.com/Conversion-latches-Hardware-Clipless-mounting/dp/B0CJZM8MSH/ref=pd\\_ci\\_mcx\\_di\\_int\\_sccai\\_cn\\_d\\_scc1\\_2\\_56/146-4822964-3582728?](https://www.amazon.com/Conversion-latches-Hardware-Clipless-mounting/dp/B0CJZM8MSH/ref=pd_ci_mcx_di_int_sccai_cn_d_scc1_2_56/146-4822964-3582728?) (Year: 2023).\*

“Will this work on the slash 4x4 ultimate?” 2025, Reddit, site visited Jan. 22, 2026: [https://www.reddit.com/r/rccars/comments/ljhmime/will\\_this\\_work\\_on\\_the\\_slash\\_4x4\\_ultimate/?rdt=62376](https://www.reddit.com/r/rccars/comments/ljhmime/will_this_work_on_the_slash_4x4_ultimate/?rdt=62376) (Year: 2025).\*

“Traxxas 6940—Front & Rear Body Mounts” Nov. 27, 2024, Amazon, site visited Jan. 22, 2026: [https://www.amazon.com/Traxxas-6940-Front-Rear-Mounts/dp/B0CN2MFW9G/ref=pd\\_rhf\\_dp\\_s\\_ci\\_mcx\\_mr\\_d\\_scc1\\_2\\_3/146-4822964-3582728?](https://www.amazon.com/Traxxas-6940-Front-Rear-Mounts/dp/B0CN2MFW9G/ref=pd_rhf_dp_s_ci_mcx_mr_d_scc1_2_3/146-4822964-3582728?) (Year: 2024).\*

“Traxxas Front Body Mount w/ Adapter & Inserts (2)—Mount”, Jun. 1, 2017, Amazon, site visited Jan. 22, 2026: [https://www.amazon.com/Traxxas-10124-Front-Adapter-Inserts/dp/B0CN2RTMLD/ref=pd\\_rhf\\_dp\\_s\\_ci\\_mcx\\_mr\\_d\\_scc1\\_2\\_5/146-4822964-3582728?](https://www.amazon.com/Traxxas-10124-Front-Adapter-Inserts/dp/B0CN2RTMLD/ref=pd_rhf_dp_s_ci_mcx_mr_d_scc1_2_5/146-4822964-3582728?) (Year: 2017).\*

“Traxxas Body Mount Rear Insert Raptor 4x4 0020334014542” Apr. 11, 2024, Amazon, site visited Jan. 22, 2026: [https://www.amazon.com/Traxxas-Mount-Insert-Raptor-0020334014542/dp/B0CLQ3H4BN/ref=pd\\_bxgy\\_d\\_scc1\\_1/146-4822964-3582728?pd\\_rd\\_w=h40Db&](https://www.amazon.com/Traxxas-Mount-Insert-Raptor-0020334014542/dp/B0CLQ3H4BN/ref=pd_bxgy_d_scc1_1/146-4822964-3582728?pd_rd_w=h40Db&) (Year: 2024).\*

“Traxxas Stampede 2WD Clipless Body Mount Latch System (F&R)” Feb. 6, 2025, Adrenaline Racing, site visited Jan. 22, 2026: <https://www.adrenalineracing.com/products/traxxas-stampede-2wd-clipless-body-mount-latch-system-f-r> (Year: 2025).\*

“Traxxas Slash Clipless Body Mounts—How to Install & Stress Test!” Oct. 23, 2023, Youtube, site visited Jan. 22, 2026: <https://www.youtube.com/watch?v=8Mmtubr9qk> (Year: 2023).\*

Traxxas Front & Rear Clipless Body Latches, Traxxas Website, No Available Date [Website Visited Sep. 16, 2025] Available on the Internet, URL <https://traxxas.com/3730-front-rear-clipless-body-latches> (Year: 2025).

Traxxas 6940—Front & Rear Body Mounts, Amazon Website, Nov. 27, 2024 [Website Visited Sep. 16, 2025] Available on the Internet, URL <https://www.amazon.com/dp/B0CN2MFW9G> (Year: 2025).

Traxxas 9825—F&R Body Mount Latches, Amazon Website, No Available Date [Website Visited Sep. 16, 2025] Available on the Internet, URL <https://www.amazon.com/dp/B0CN2GDMN7>.

\* cited by examiner

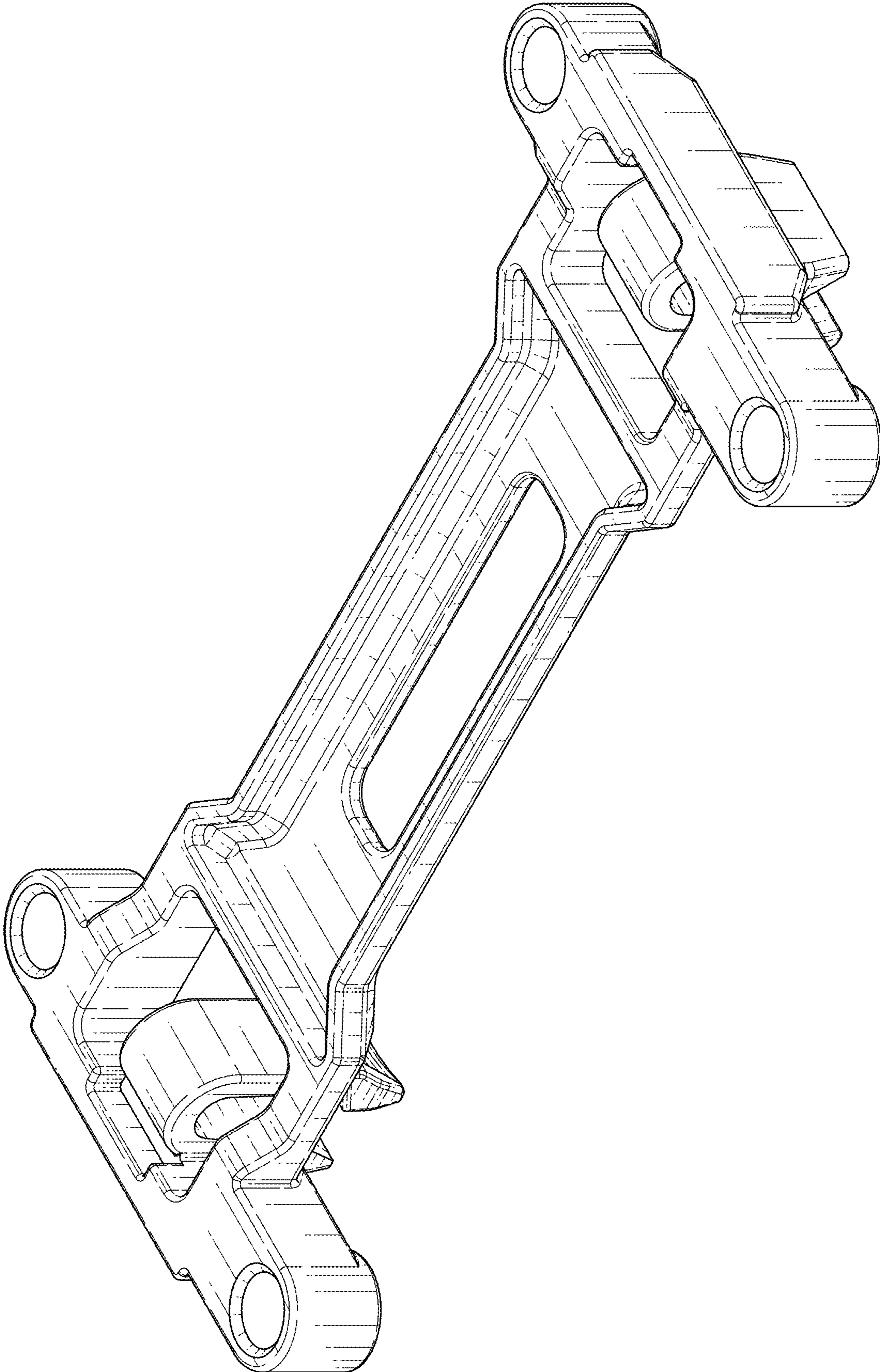


FIG. 1

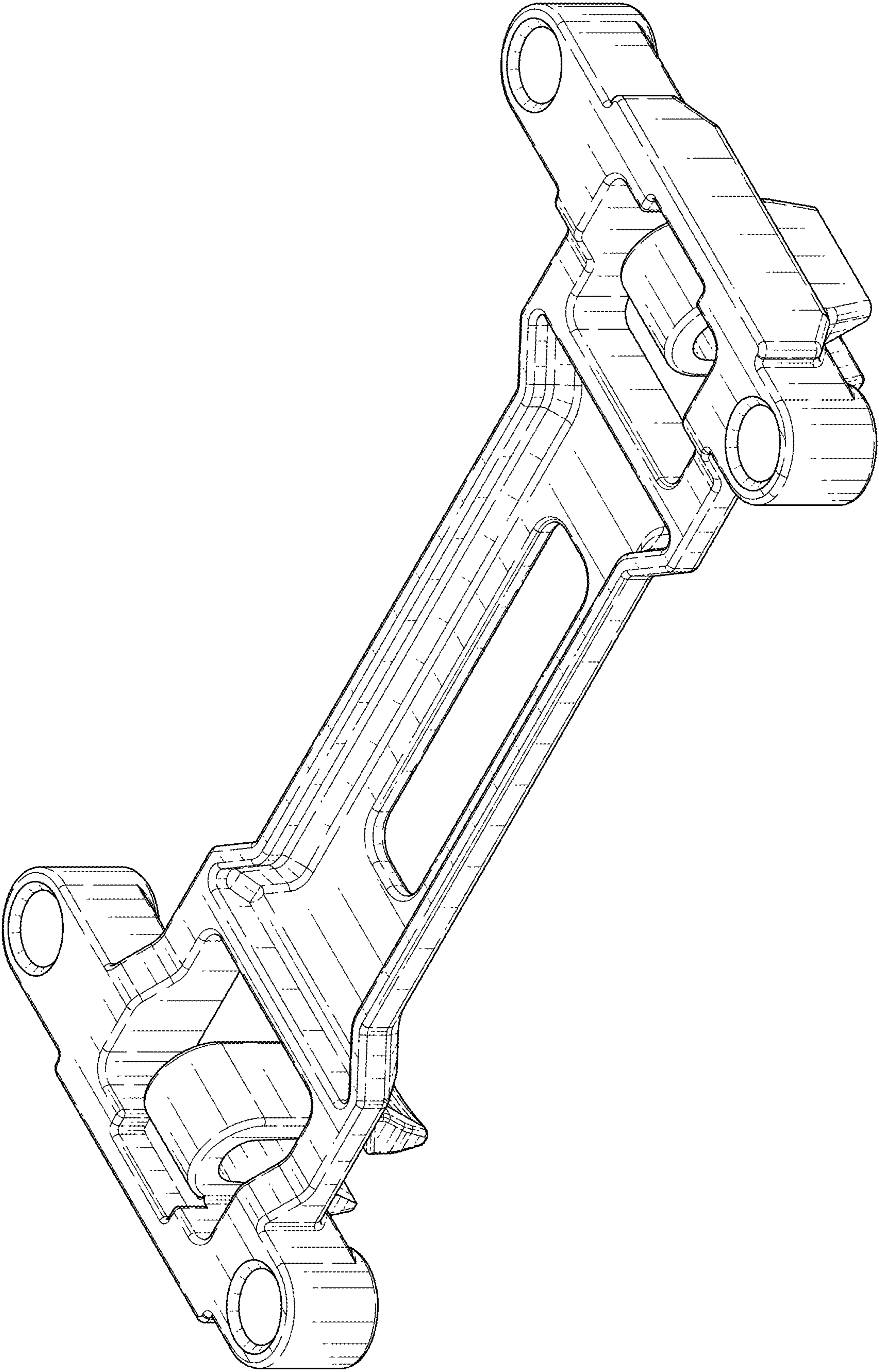


FIG. 2

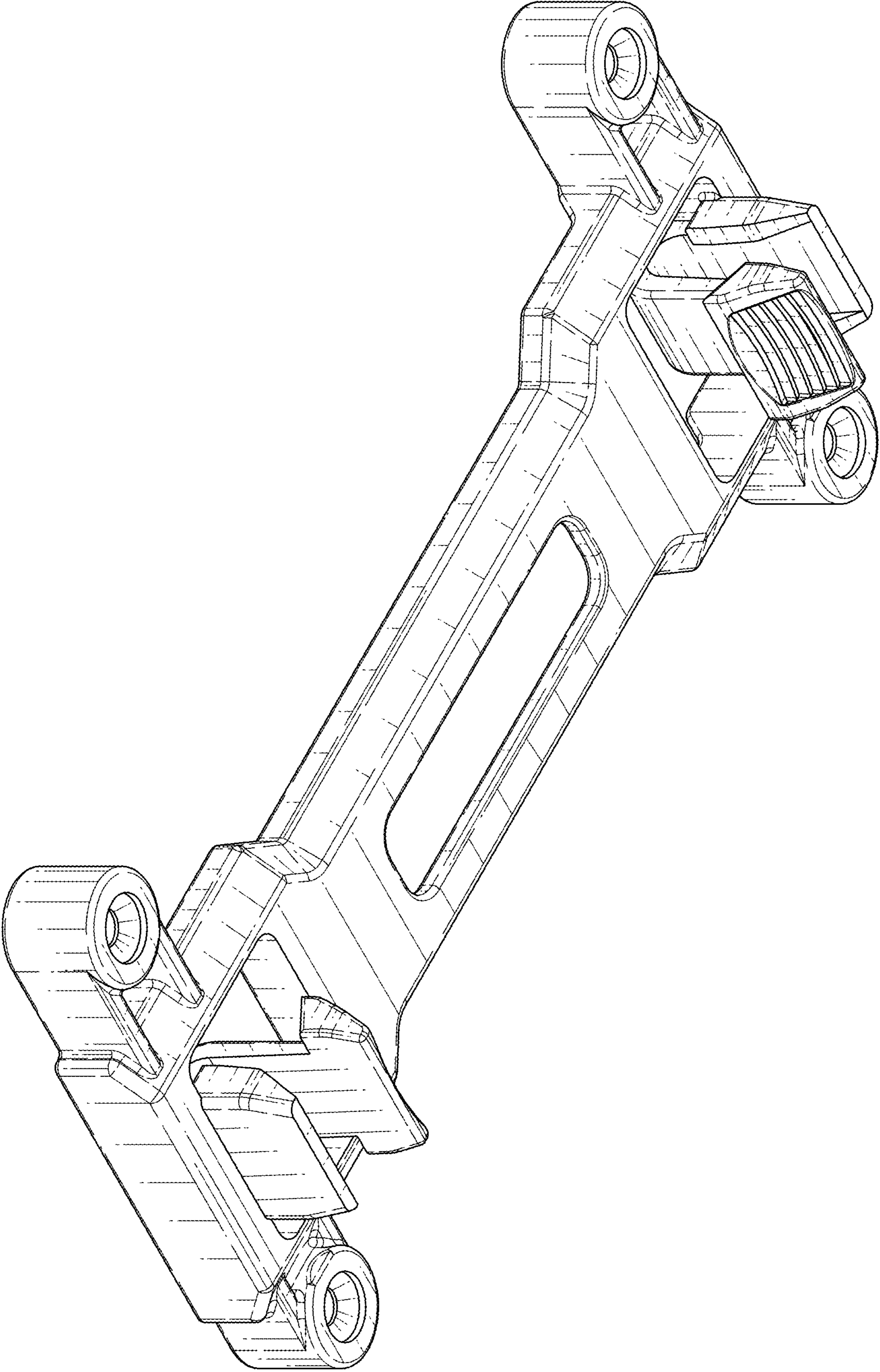


FIG. 3

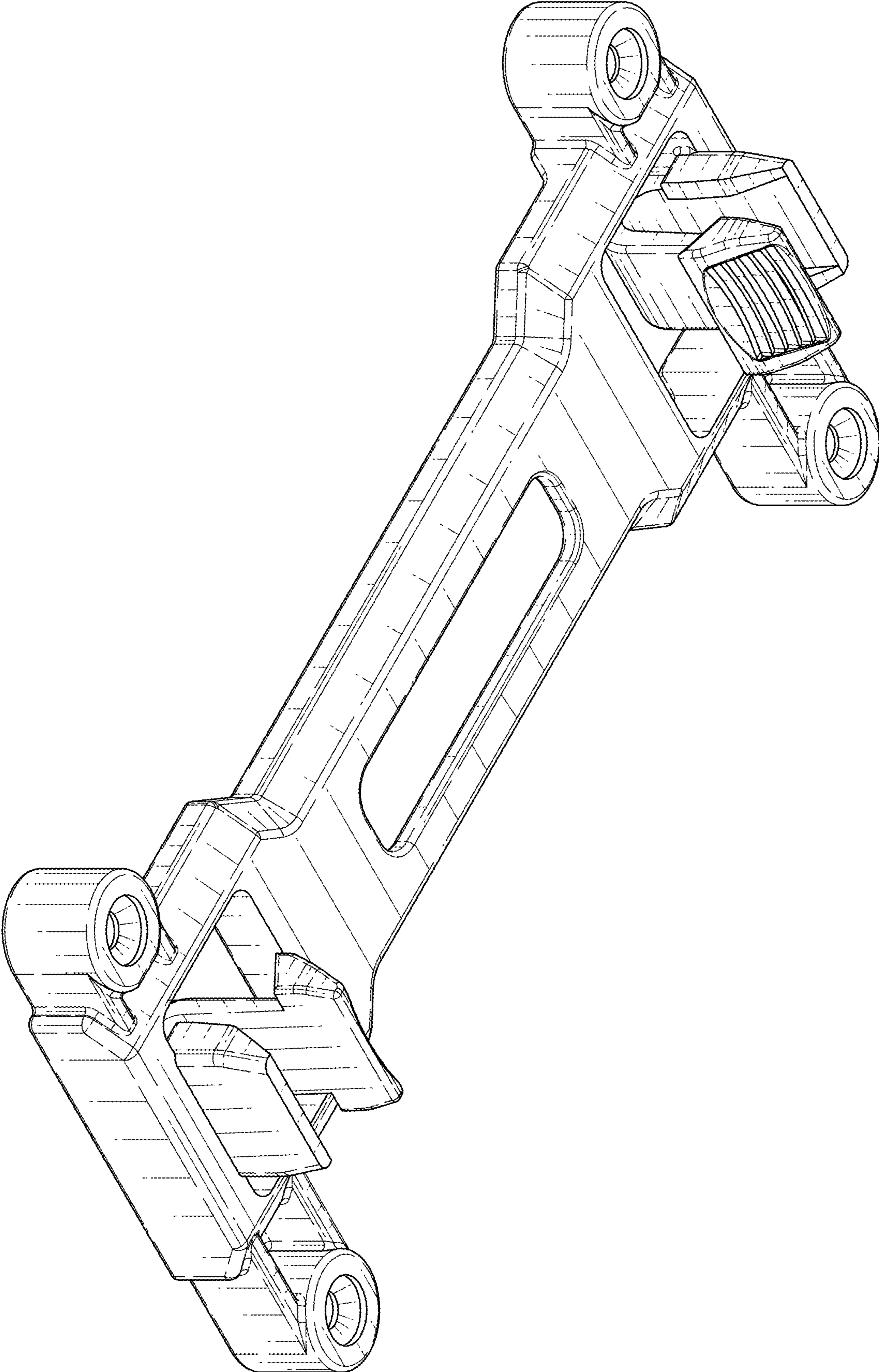


FIG. 4

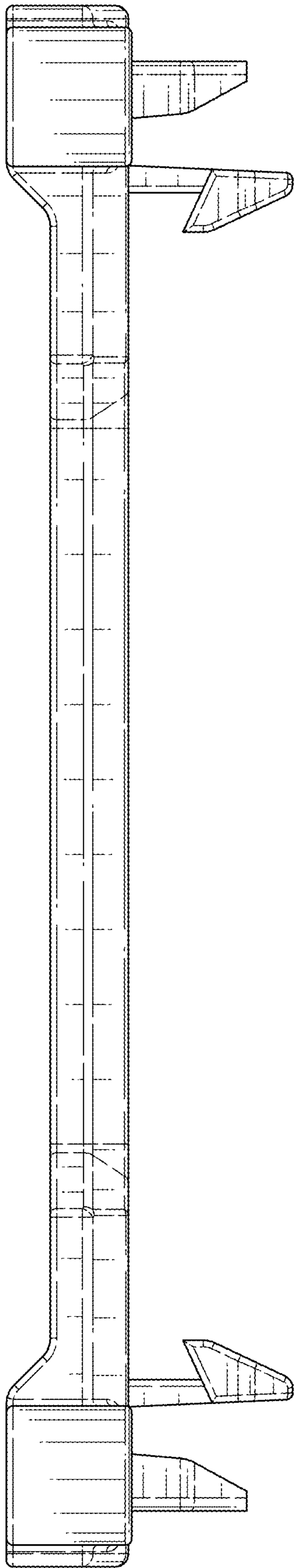


FIG. 5

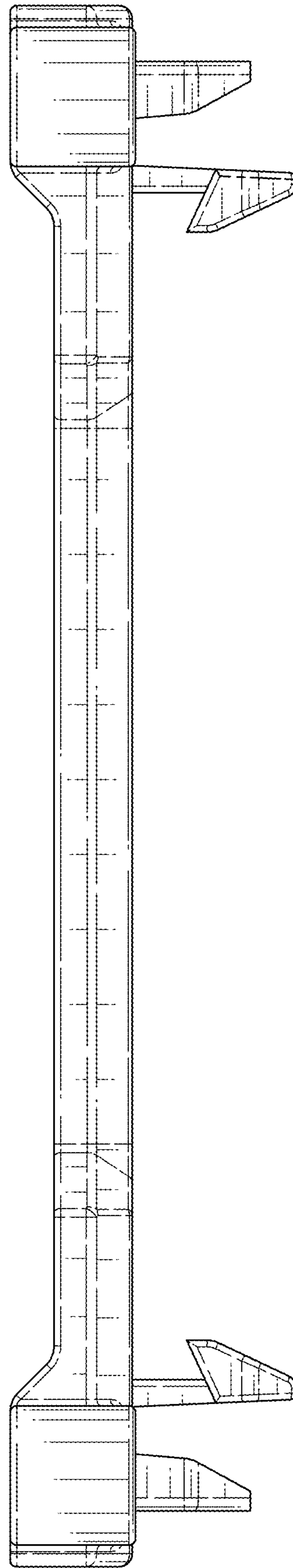


FIG. 6

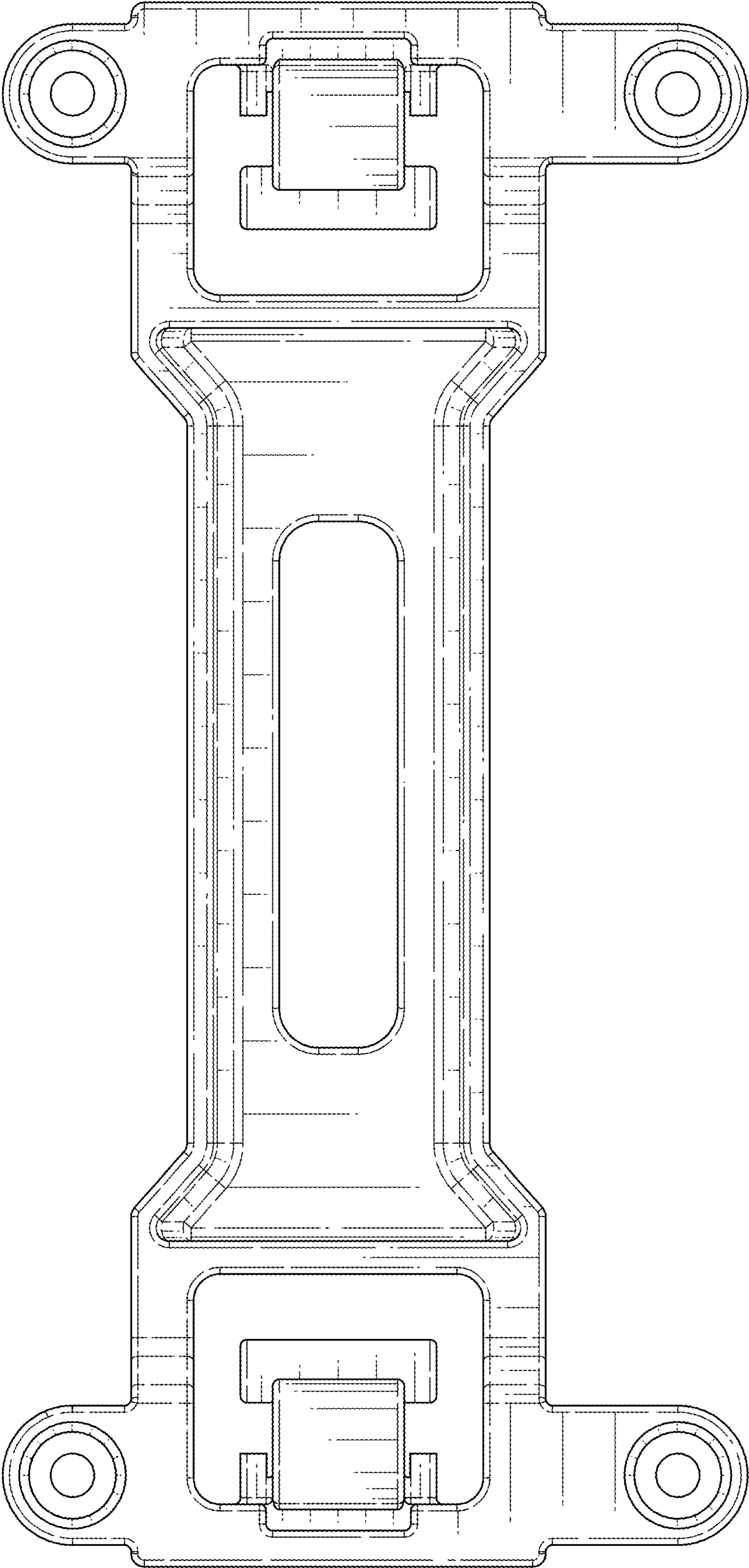


FIG. 7

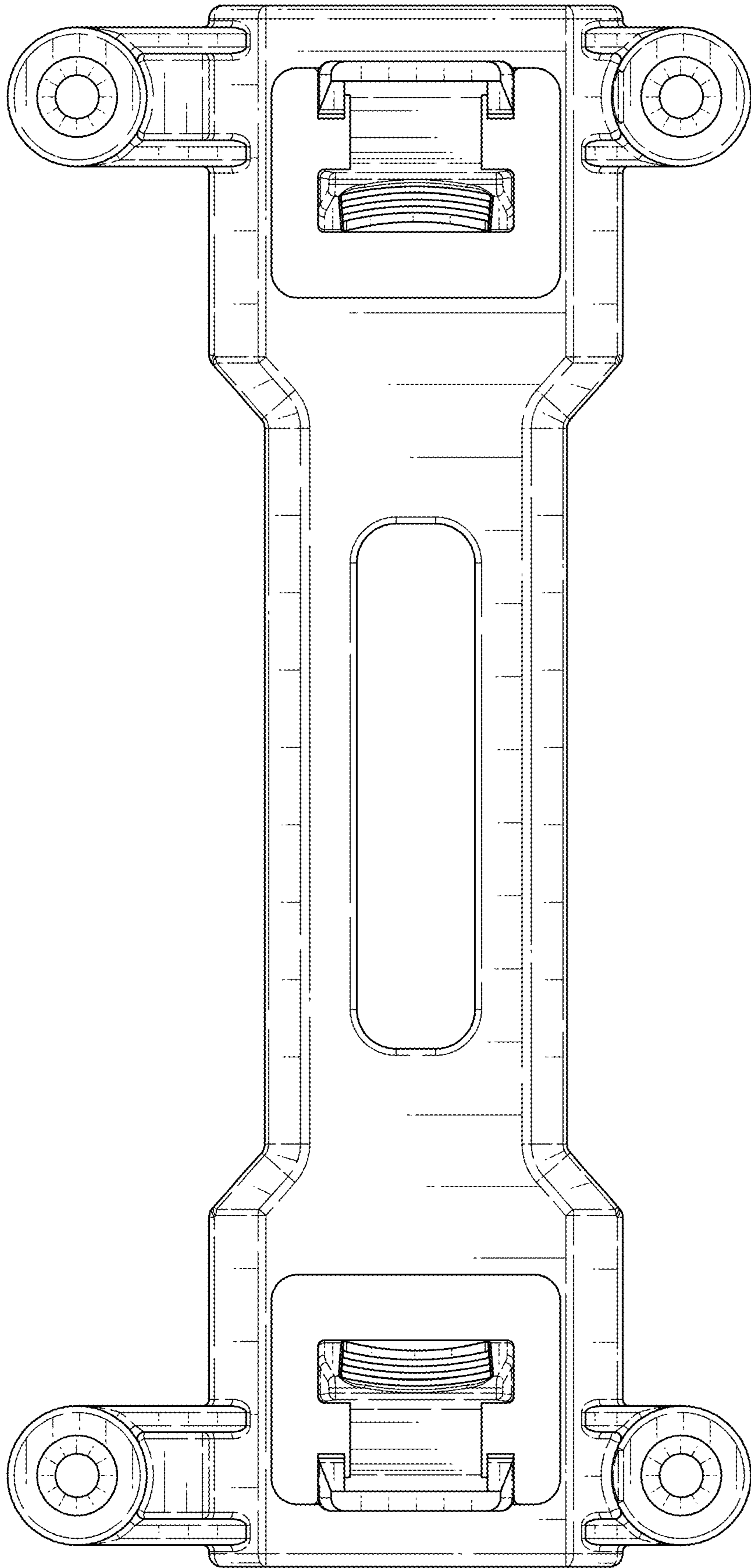


FIG. 8

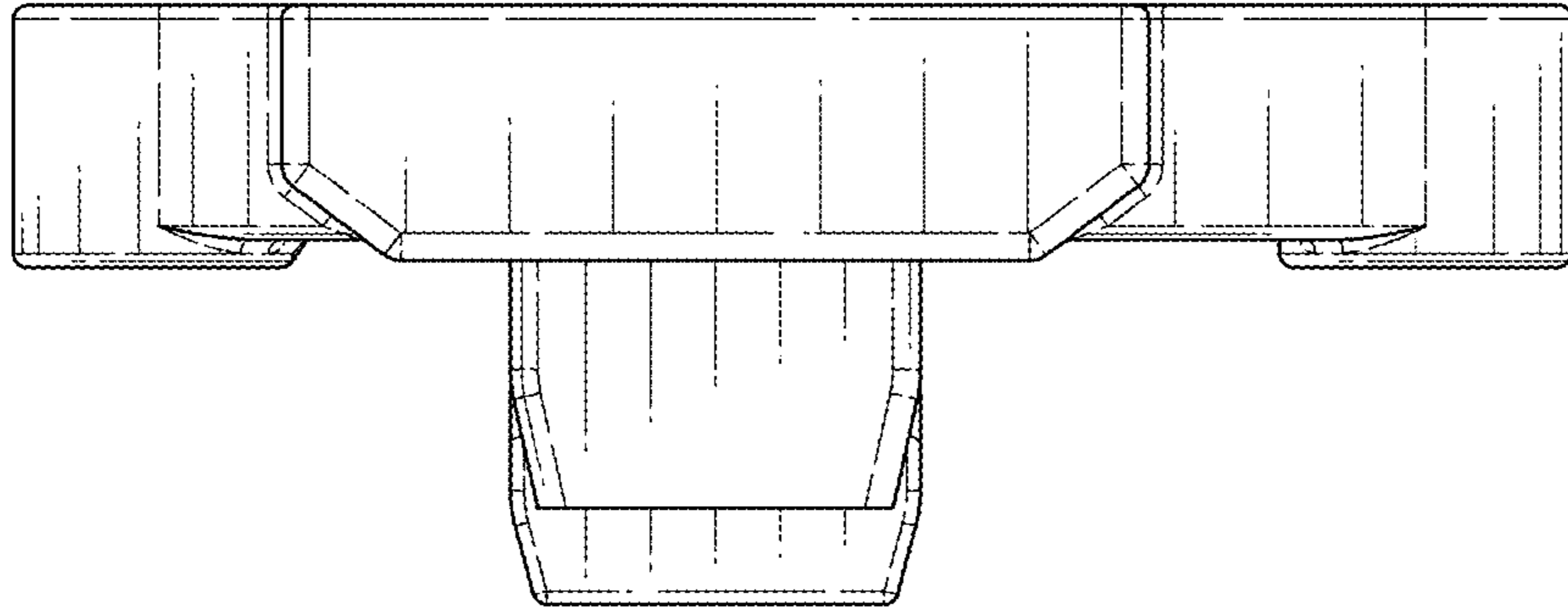


FIG. 9

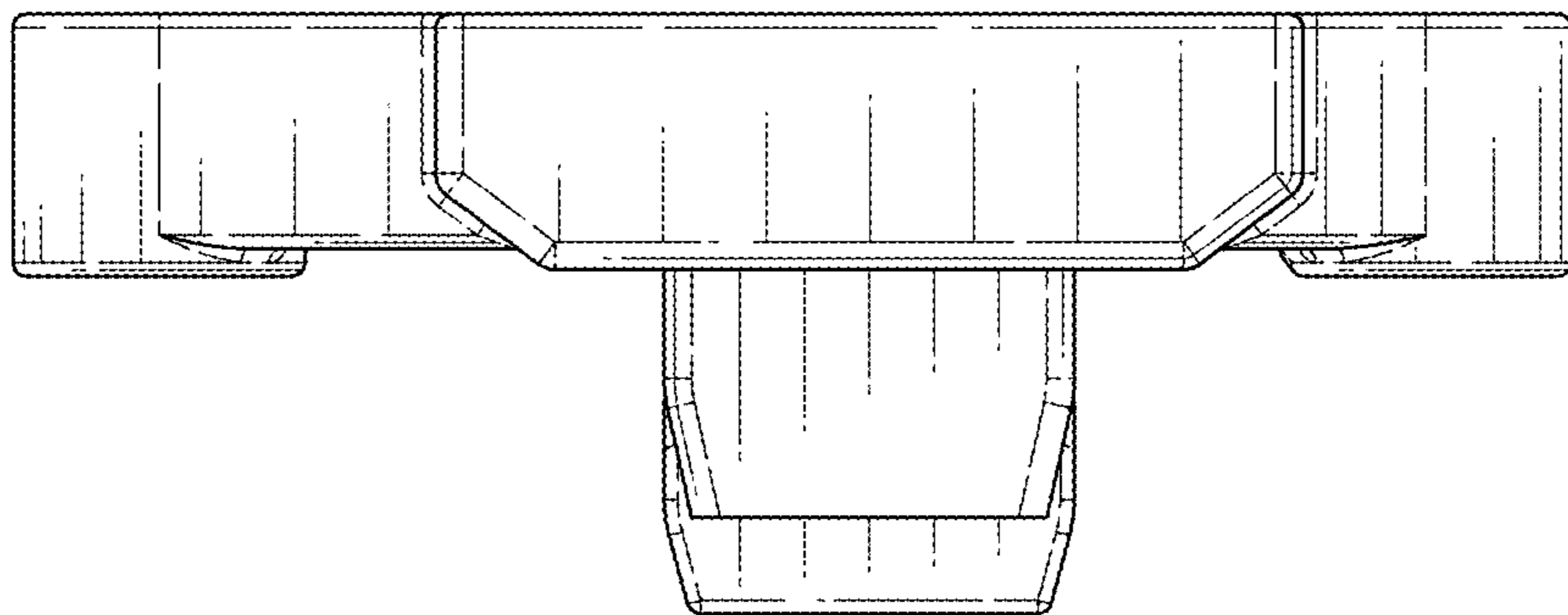


FIG. 10