



US0D1124174S

(12) **United States Design Patent**  
**Hagler et al.**

(10) **Patent No.:** **US D1,124,174 S**

(45) **Date of Patent:** **\*\* Apr. 28, 2026**

- (54) **MODEL VEHICLE WING**
- (71) Applicant: **TRAXXAS, L.P.**, McKinney, TX (US)
- (72) Inventors: **Skylar Hagler**, Anna, TX (US); **Jory Sprowl**, Howe, TX (US); **Otto Karl Allmendinger**, Rowlett, TX (US); **Adam Cole Ewing**, McKinney, TX (US); **Casey Christen Jens Christensen**, Trenton, TX (US); **Kent Poteet**, Lucas, TX (US)

D498,720 S 11/2004 Dyson et al.  
 D535,598 S 1/2007 Murkett  
 7,175,229 B2 2/2007 Garcia  
 (Continued)

**FOREIGN PATENT DOCUMENTS**

CN	305204153	6/2019
CN	306739396	8/2021
EM	015099375-0001	4/2025

**OTHER PUBLICATIONS**

Allstar Performance 2 Piece Dirt Spoiler Kit, posted Jun. 23, 2010 [online], [retrieved Jan. 16, 2026]. Retrieved from internet, <https://www.amazon.com/-/es/Allstar-Performance-ALL22997-alerÃ³n-suciedad/dp/B007WLYHY0> (Year: 2010).\*

(Continued)

*Primary Examiner* — Erich G Herbermann  
*Assistant Examiner* — Alisha K Miles  
 (74) *Attorney, Agent, or Firm* — Daryl R. Wright; Greg Carr

(73) Assignee: **TRAXXAS, L.P.**, McKinney, TX (US)

(\*\*) Term: **15 Years**

(21) Appl. No.: **29/984,312**

(22) Filed: **Jan. 14, 2025**

(51) **LOC (15) Cl.** ..... **21-01**

(52) **U.S. Cl.**  
USPC ..... **D21/561**; D21/495

(58) **Field of Classification Search**  
 USPC ..... D21/561, 495, 483, 562; D12/169, 177, D12/160, 317  
 CPC .... A63H 17/262; A63H 17/14; A63H 17/266; A63H 18/08; B60G 2300/20; B60G 2300/07; B60G 2206/124; B60G 7/001; B60G 2200/144

See application file for complete search history.

(57) **CLAIM**

The ornamental design for a model vehicle wing as shown and described.

**DESCRIPTION**

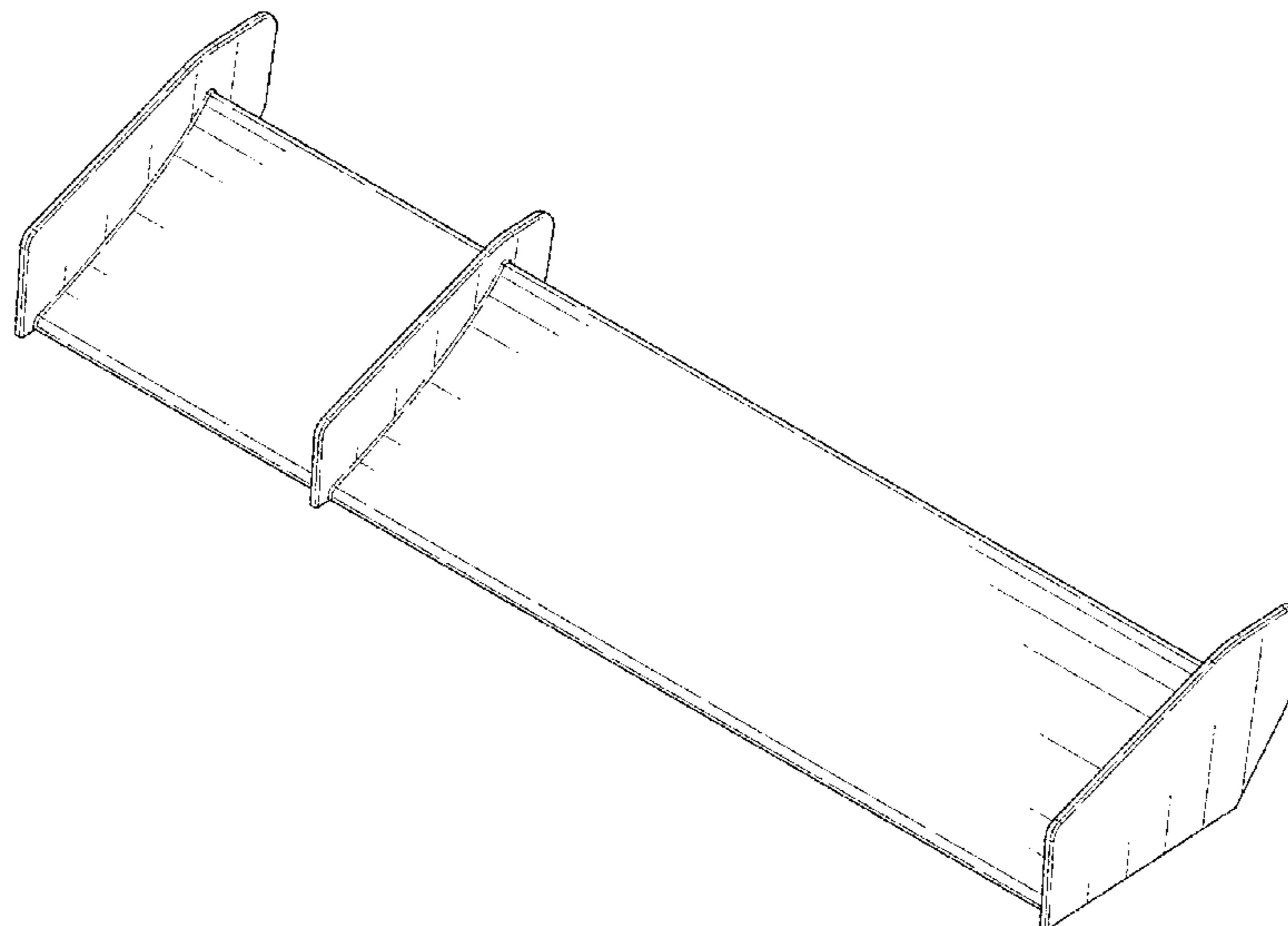
FIG. 1 is an upper, left, front perspective view of a model vehicle wing showing our new design;  
 FIG. 2 is an upper, right, rear perspective view thereof;  
 FIG. 3 is a lower, right, front perspective view thereof;  
 FIG. 4 is a lower, left, rear perspective view thereof;  
 FIG. 5 is a front elevation view thereof;  
 FIG. 6 is a rear elevation view thereof;  
 FIG. 7 is an upper plan view thereof;  
 FIG. 8 is a lower plan view thereof;  
 FIG. 9 is a right-side elevation view thereof; and,  
 FIG. 10 is a left-side elevation view thereof.

**1 Claim, 7 Drawing Sheets**

(56) **References Cited**

**U.S. PATENT DOCUMENTS**

D273,671 S *	5/1984	Ford	.....	D12/181
5,061,007 A *	10/1991	Simpson	.....	B60G 21/05 296/180.5
5,076,636 A	12/1991	Buck et al.		
D382,238 S *	8/1997	Fink	.....	D12/181
5,821,434 A *	10/1998	Halliday	.....	B60G 17/019 73/862.541
D473,831 S	4/2003	Saleen		
D488,113 S	4/2004	Nelson		



(56)

## References Cited

## U.S. PATENT DOCUMENTS

D603,295	S	*	11/2009	Honeycutt	.....	D12/86
D656,439	S	*	3/2012	Saracoglu	.....	D12/181
D725,559	S		3/2015	Robinson		
9,944,335	B2		4/2018	Shinedling et al.		
D842,182	S	*	3/2019	Lee	.....	D12/190
D867,241	S		11/2019	Schmolz		
D867,946	S	*	11/2019	Smith	.....	D12/181
D879,209	S	*	3/2020	Ewing	.....	D12/181
D905,603	S		12/2020	DiCanzio		
D906,201	S		12/2020	Chen		
D915,960	S		4/2021	Oliver et al.		
D931,172	S		9/2021	Zheng		
D942,339	S		2/2022	Verbrugge		
D962,135	S		8/2022	Chen		
D962,136	S		8/2022	Chen		
D972,472	S		12/2022	Taverna		
D972,993	S		12/2022	Taverna		
D988,213	S		6/2023	Xian		
D988,216	S		6/2023	Larson		
D1,002,460	S	*	10/2023	Schmölz	.....	D12/181
D1,013,062	S	*	1/2024	Hagler	.....	D21/561
D1,014,654	S	*	2/2024	Allmendinger	.....	D21/561
D1,015,442	S	*	2/2024	Sprowl	.....	D21/561
D1,018,398	S		3/2024	Burki		
D1,023,864	S	*	4/2024	Burki	.....	D12/181
D1,027,753	S		5/2024	Burki		
D1,038,274	S	*	8/2024	Ewing	.....	D21/561
D1,040,254	S		8/2024	Ewing et al.		
2005/0077753	A1	*	4/2005	Burg	.....	B62D 35/007 296/180.5
2008/0303227	A1	*	12/2008	Chi Chun Idiot	...	A63H 17/262 280/1
2009/0195016	A1		8/2009	Schwan et al.		
2010/0291830	A1	*	11/2010	Doherty	.....	A63H 31/08 446/457
2011/0177754	A1	*	7/2011	Nakayama	.....	A63H 17/262 446/465
2013/0221701	A1		8/2013	De Luca		
2024/0115965	A1		4/2024	Christensen et al.		

## OTHER PUBLICATIONS

HobbyPark RC Car Wing Body Spoiler, posted Jul. 19, 2020 [online], [retrieved Jan. 16, 2026]. Retrieved from internet, <https://keepa.com/#!product/1-B07TCGF9FV> (Year: 2020).\*

Amazon.com. "Traxxas TRA6721 Wing, Rustler 4x4 (Black)" First reviewed Aug. 23, 2019. Retrieved Sep. 22, 2019. (<https://www.amazon.com/Traxxas-TRA6721-Rustler-Black-3x8mm/dp/B07HJHBM85/>).

Wing, Chevrolet C10, traxxas.com, first archived Sep. 24, 2021 [online], [site visited Mar. 21, 2023], Available from internet, URL: <https://web.archive.org/web/20210924085123/https://traxxas.com/products/parts/9414> (Year: 2021).

Traxxas Drag Slash Chevrolet C10 Wing, hobbytown.com, first available Sep. 20, 2021 [online], [site visited Mar. 21, 2023], Available from internet, URL: <https://www.hobbytown.com/traxxas-drag-slash-chevrolet-c10-wing-tra9414/p1330089> (Year: 2021).

Vgoohobby RC Force Rear Spoiler, amazon.com, customer review oldest date Aug. 6, 2021 [online], [site visited Mar. 21, 2023], Available from internet, URL: <https://www.amazon.com/Vgoohobby-Force-Spoiler-High-Down-Redcat/dp/B094CYPJ44> (Year: 2021).

Traxxas 7122 E-Revo Wing, amazon.com, first available May 2, 2009 [online], [site visited Mar. 21, 2023], Available from internet, URL: <https://www.amazon.com/dp/B00287YYVY> (Year: 2009).

ShareGoo Wing Body Spoiler, amazon.com, customer review oldest date Feb. 16, 2023 [online], [site visited Mar. 21, 2023], Available from internet, URL: <https://www.amazon.com/dp/B087J3MHYZ> (Year: 2023).

Traxxas Sledge Rear Wing (Black), as shown on www.hobbytown.com, Jun. 30, 2022, Part #TRA9517. (Year: 2022).

Traxxas Xrt Wing (Blue), as shown in www.hobbytown.com, May 16, 2023, Part# TRA7821X. (Year: 2023).

Arrma Rear Wing, ARA480044, as shown in www.amazon.com, Aug. 16, 2022, ASIN B0BHN11X26. (Year: 2022).

Arrma Rear Wing, ARAC9608 Large, as shown in www.amazon.com, Oct. 3, 2017, ASIN B0764LM5TG. (Year: 2017).

Arrma 4S Blx Rear Wing (Black), as shown in www.hobbytown.com, Jul. 16, 2019, Part # ARA480012. (Year: 2019).

Arrma 224mm Rear Wing (White), as shown in hobbytown.com, Dec. 19, 2014, Part # ARA480004. (Year: 2014).

Tekno RC 1/18 High Down Force Buggy Wing (Roar/Ifmar Legal) (Black), as shown in www.amainhobbies.com, Jun. 16, 2016, Part # TKR5292K. (Year: 2016).

Team Associated Reflex 14B/14T Plastic Wing (Black), as shown in www.hobbytown.com, Nov. 12, 2018, Part #ASC21545. (Year: 2018).

Traxxas Xrt Wing Mount, as shown in www.hobbytown.com, Jun. 15, 2023, Part# TRA7818. (Year: 2023).

Redcat Racing 81061 Rear Wing Mount Set 81061, as shown in www.redcatracing.toys, no date listed, date found, Jun. 14, 2024. (Year: 2024).

Hot Racing AON40M01 Aluminum Wing Mount Arrma Kraton Talion Typhon, as shown in www.amazon.com, Jan. 26, 2020, ASIN B01NAPB2RO. (Year: 2020).

Traxxas 5446 Black Wing for Revo, Amazon Website, Earliest Available Date: Oct. 24, 2007 [Website Visited Aug. 7, 2025], Available on the Internet, URL <https://www.amazon.com/dp/B000XQ0QLY> (Year: 2007).

Traxxas 9019-WHT-Jato 4x4 Vxl Low Profile Race Wing, Amazon Website, No Available Date [Website Visited Aug. 7, 2025], Available on the Internet, URL <https://www.amazon.com/dp/B0DX32JQ3X> (Year: 2025).

Low-Profile White Race Wing, Traxxas Website, No Available Date [Website Visited Aug. 7, 2025], Available on the Internet, URL <https://traxxas.com/9019-wht-low-profile-white-race-wing> (Year: 2025).

\* cited by examiner

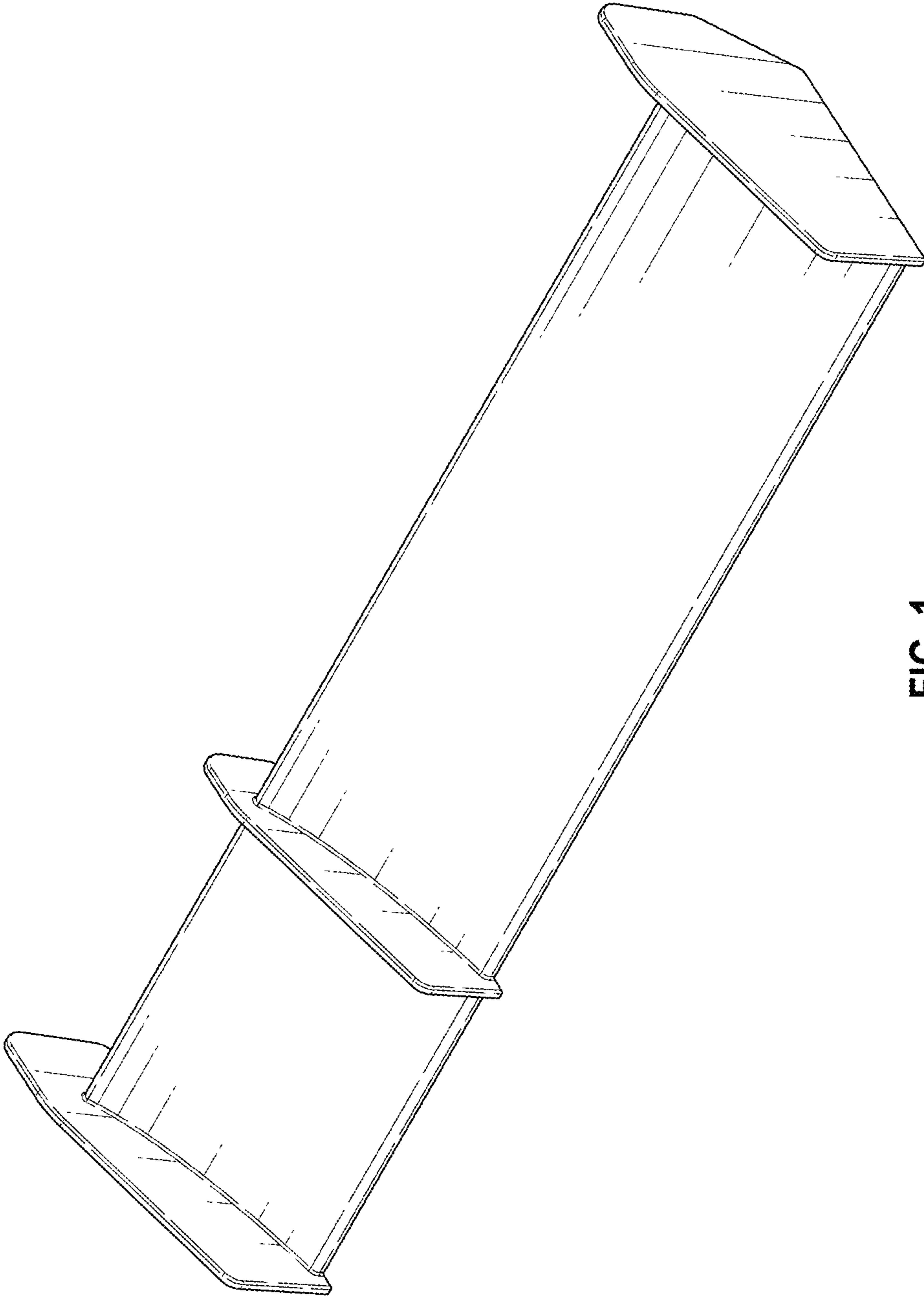


FIG. 1

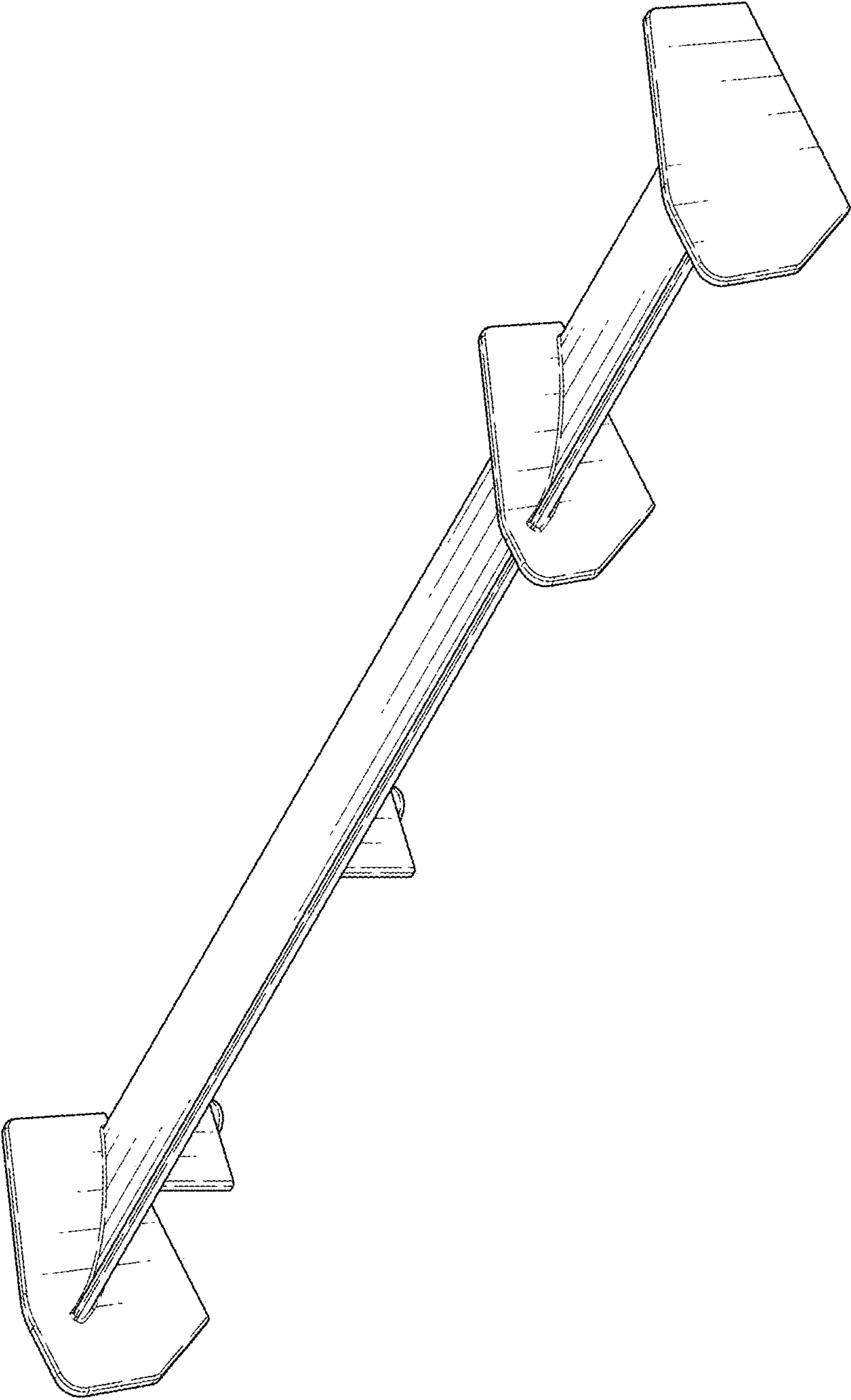


FIG. 2

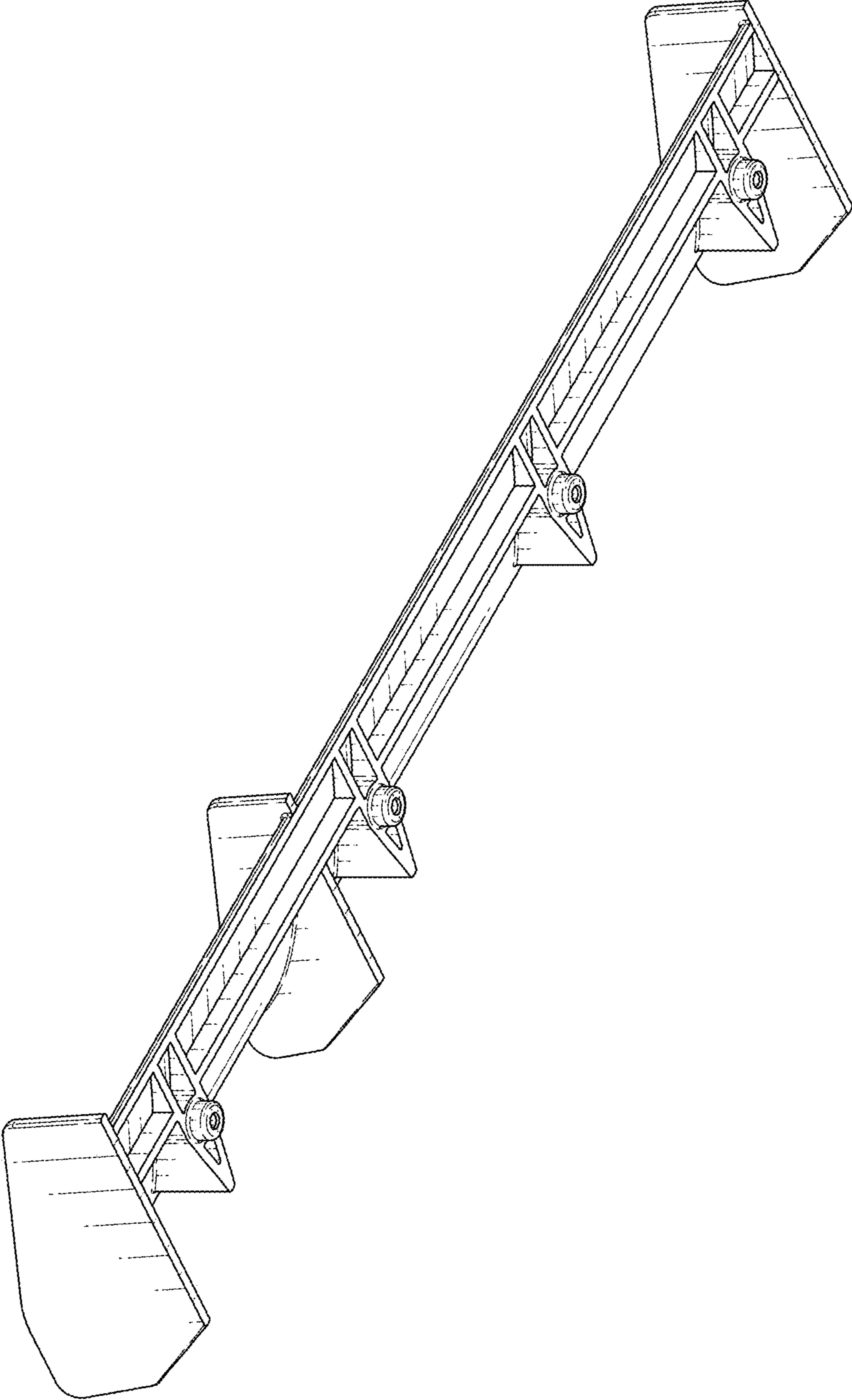


FIG. 3

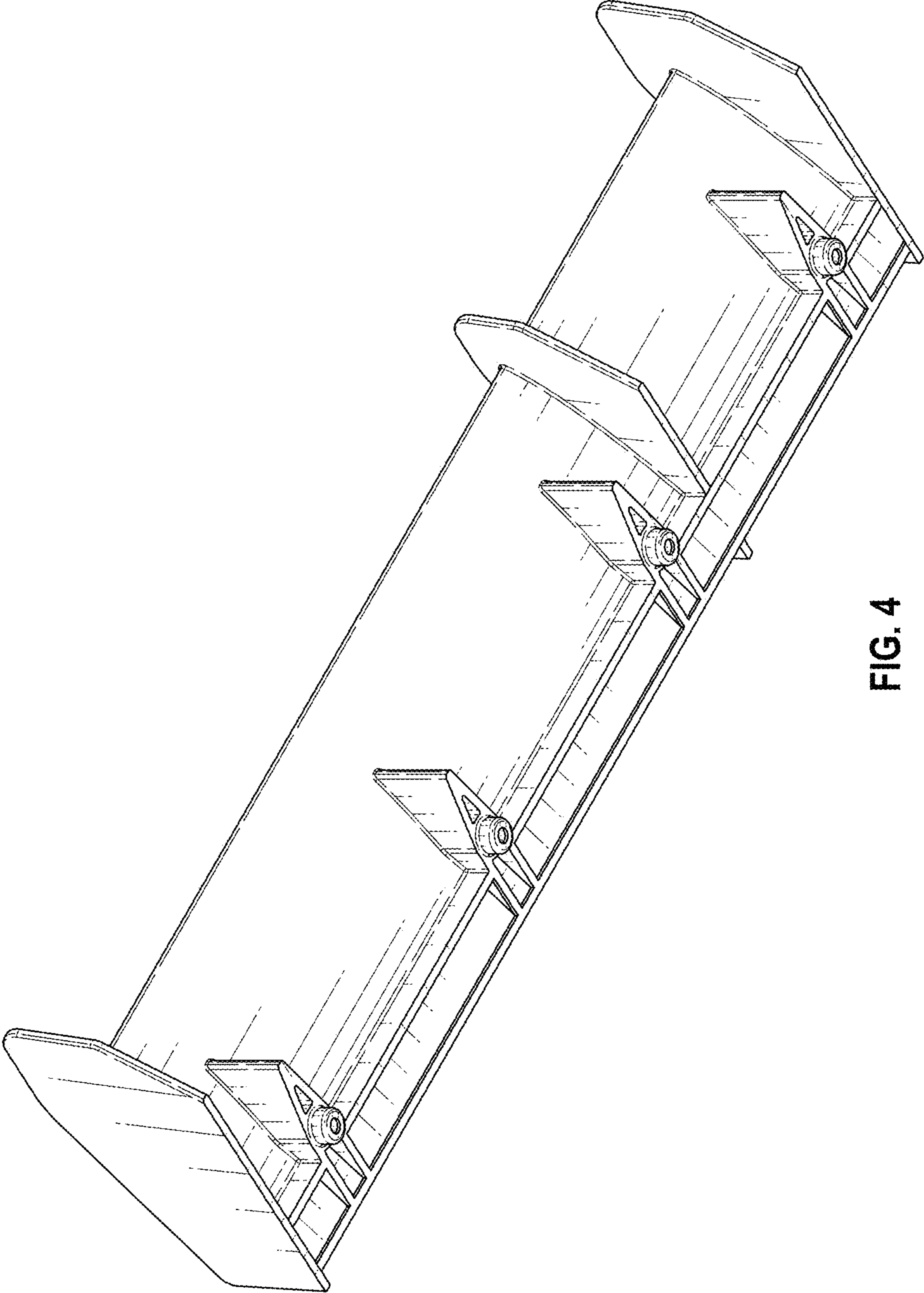


FIG. 4

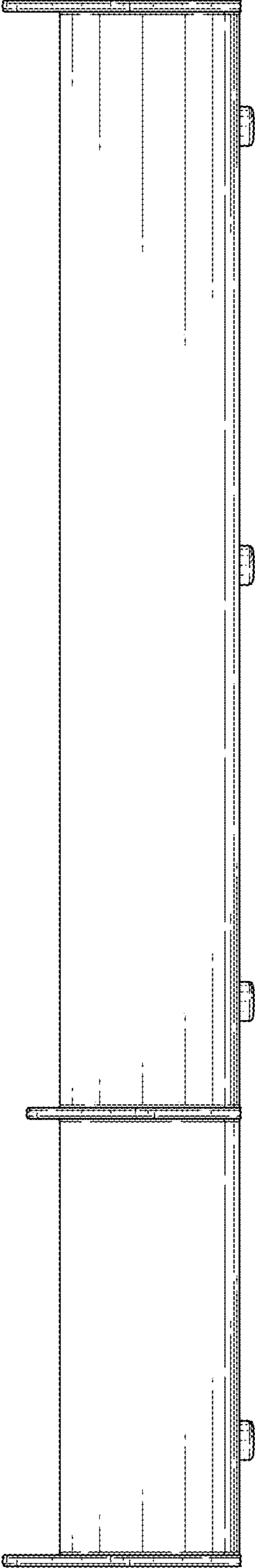


FIG. 5

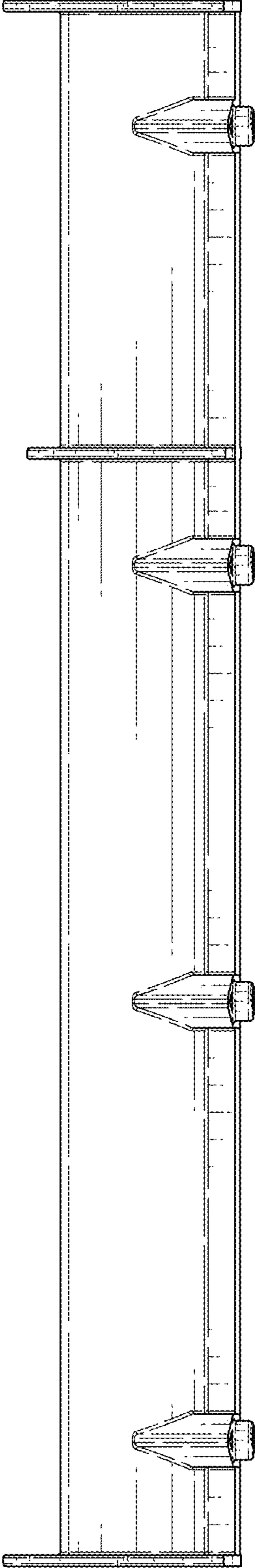


FIG. 6

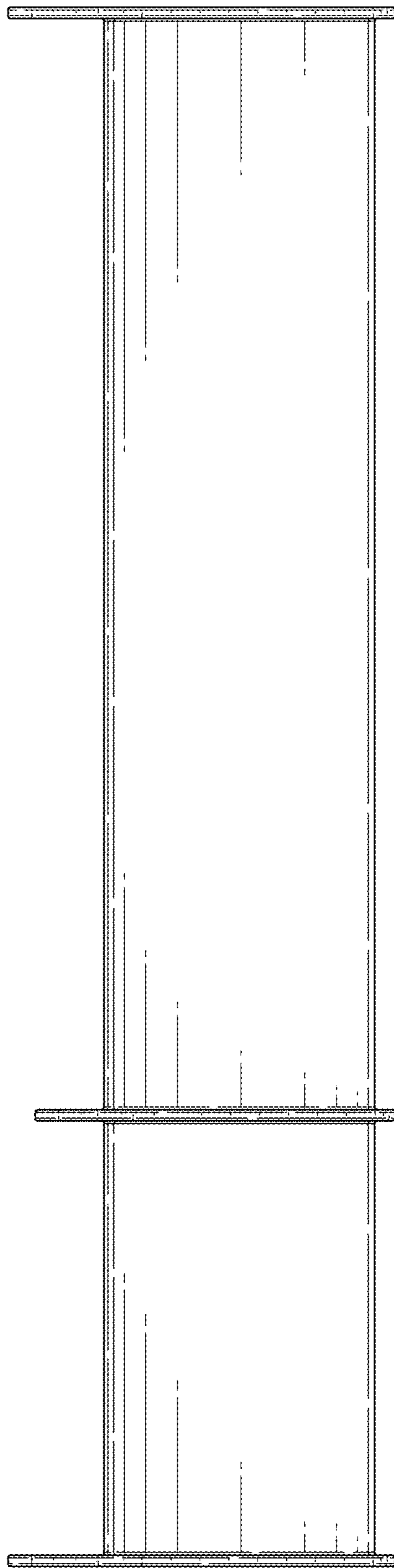


FIG. 7

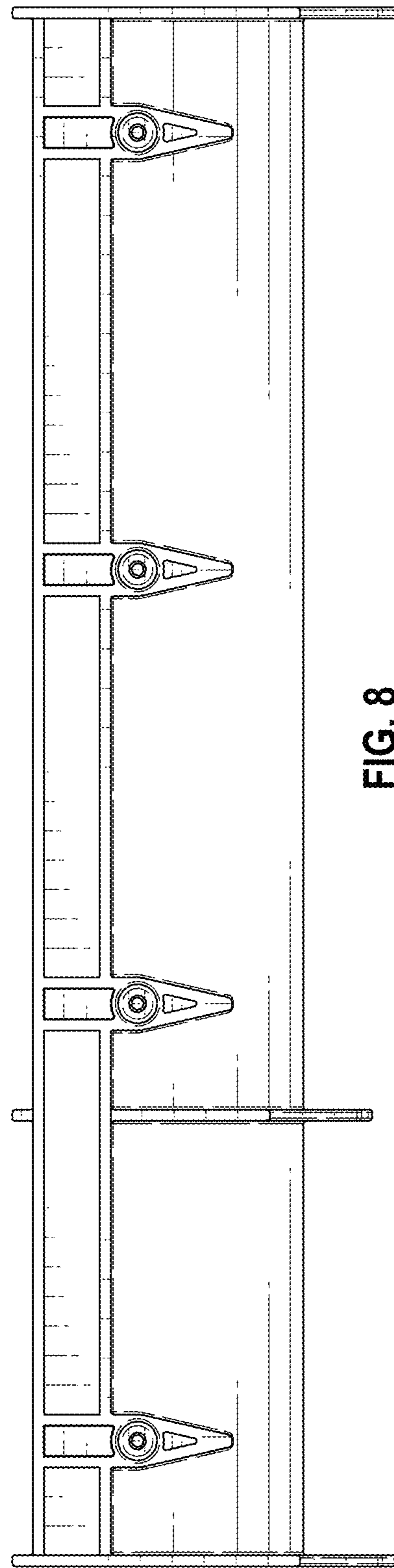


FIG. 8

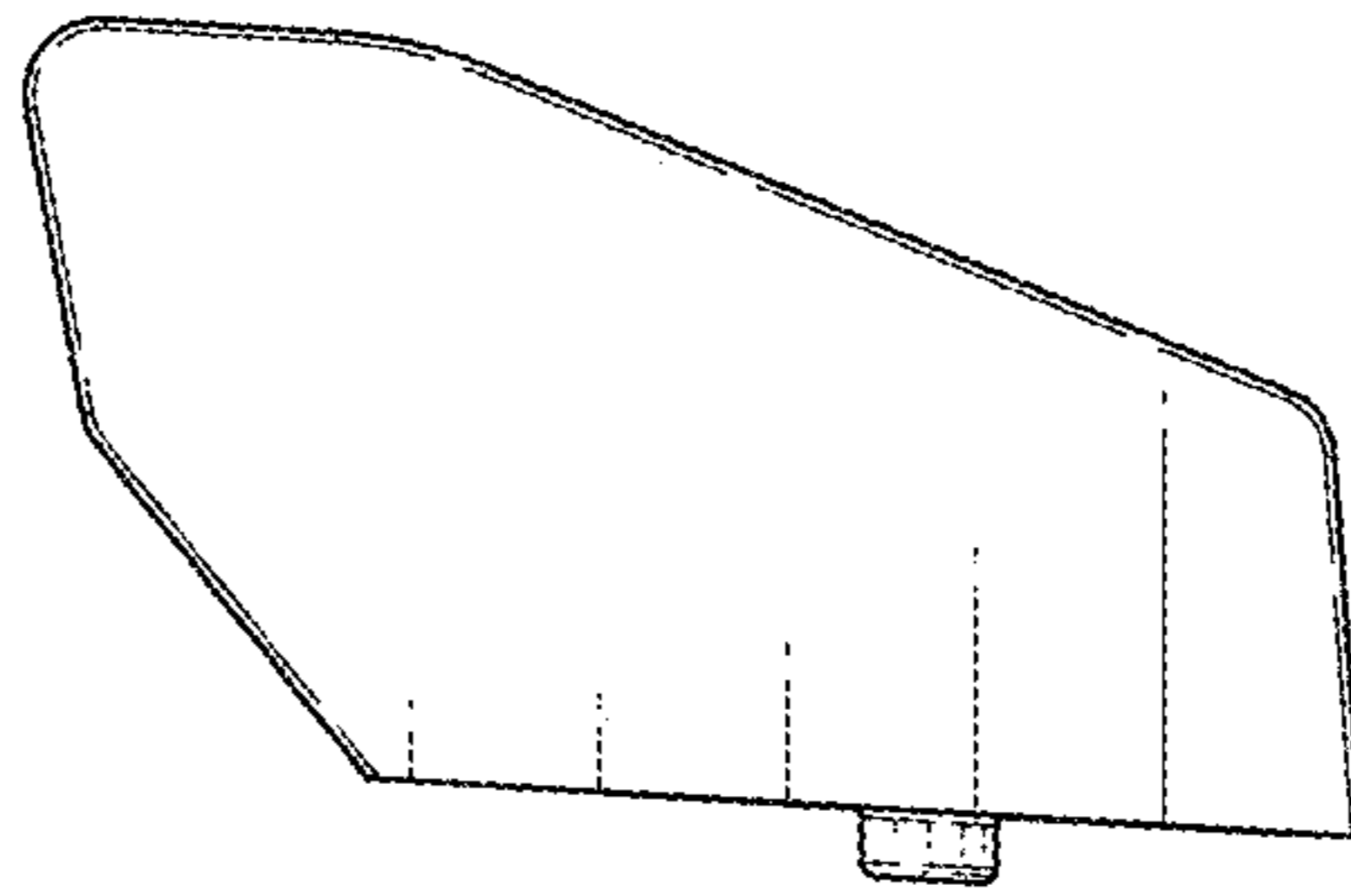


FIG. 9

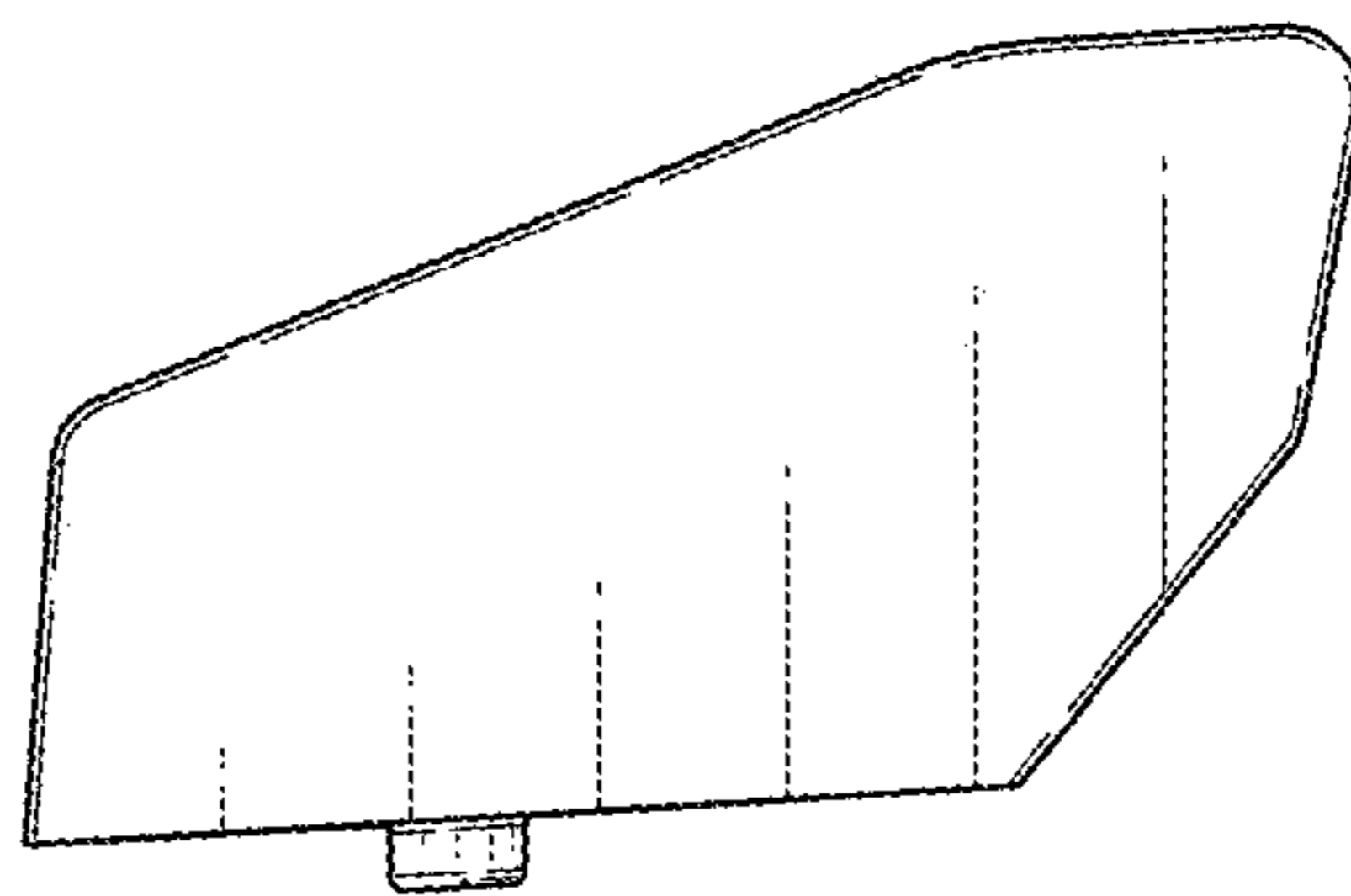


FIG. 10