



US0D1124173S

(12) **United States Design Patent** (10) **Patent No.:** **US D1,124,173 S**  
**Martin et al.** (45) **Date of Patent:** **\*\* Apr. 28, 2026**

(54) **MODEL VEHICLE SKID**

FOREIGN PATENT DOCUMENTS

(71) Applicant: **TRAXXAS, L.P.**, McKinney, TX (US)  
(72) Inventors: **Ross Martin**, North Richland Hills, TX (US); **Otto Karl Allmendinger**, Rowlett, TX (US); **Kent Poteet**, Lucas, TX (US); **Adam Cole Ewing**, McKinney, TX (US); **Caleb Hix**, McKinney, TX (US)

EM 015010398-0001 3/2023  
EM 15094929 \* 3/2025  
(Continued)

(73) Assignee: **TRAXXAS, L.P.**, McKinney, TX (US)

OTHER PUBLICATIONS

Traxxas Website, Traxxas Skid Plates, No. Available Date [Website Visited Oct. 24, 2025] Available on the Internet URL <https://traxxas.com/8944-front-and-rear-skid-plates> (Year: 2025).\*

(\*\*) Term: **15 Years**

(Continued)

(21) Appl. No.: **29/962,847**

*Primary Examiner* — Lauren D McVey

(22) Filed: **Sep. 13, 2024**

*Assistant Examiner* — James T Tyree

(51) **LOC (15) Cl.** ..... **21-01**

(74) *Attorney, Agent, or Firm* — Daryl R. Wright; Greg Carr

(52) **U.S. Cl.**

USPC ..... **D21/561**; D21/533; D21/562

(58) **Field of Classification Search**

USPC ..... D21/561, 533, 562, 565, 424, 595, 495, D21/489, 491; D12/159

CPC ..... A63H 17/262; A63H 18/08

See application file for complete search history.

(57) **CLAIM**

The ornamental design for a model vehicle skid as shown and described.

(56) **References Cited**

**DESCRIPTION**

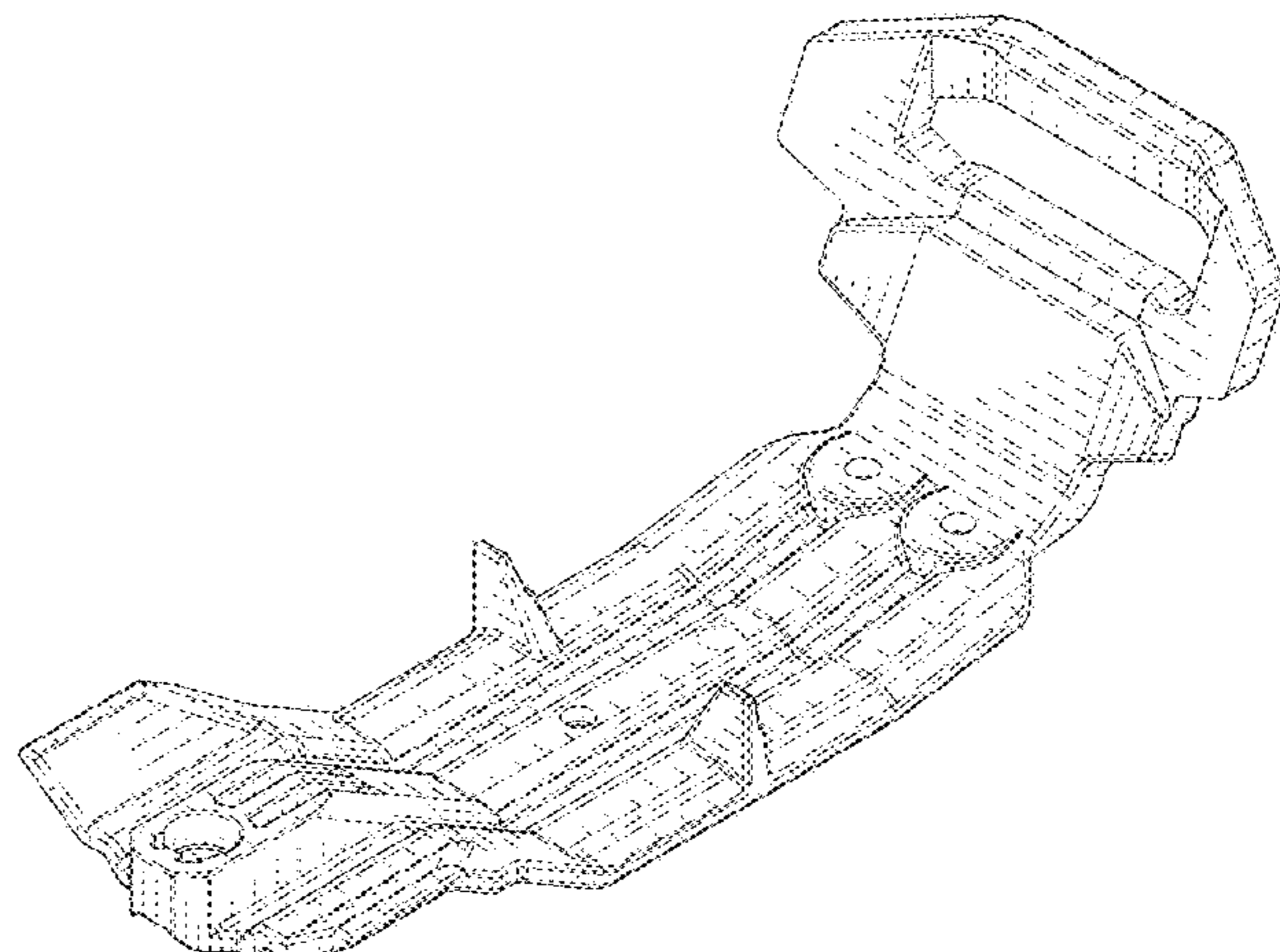
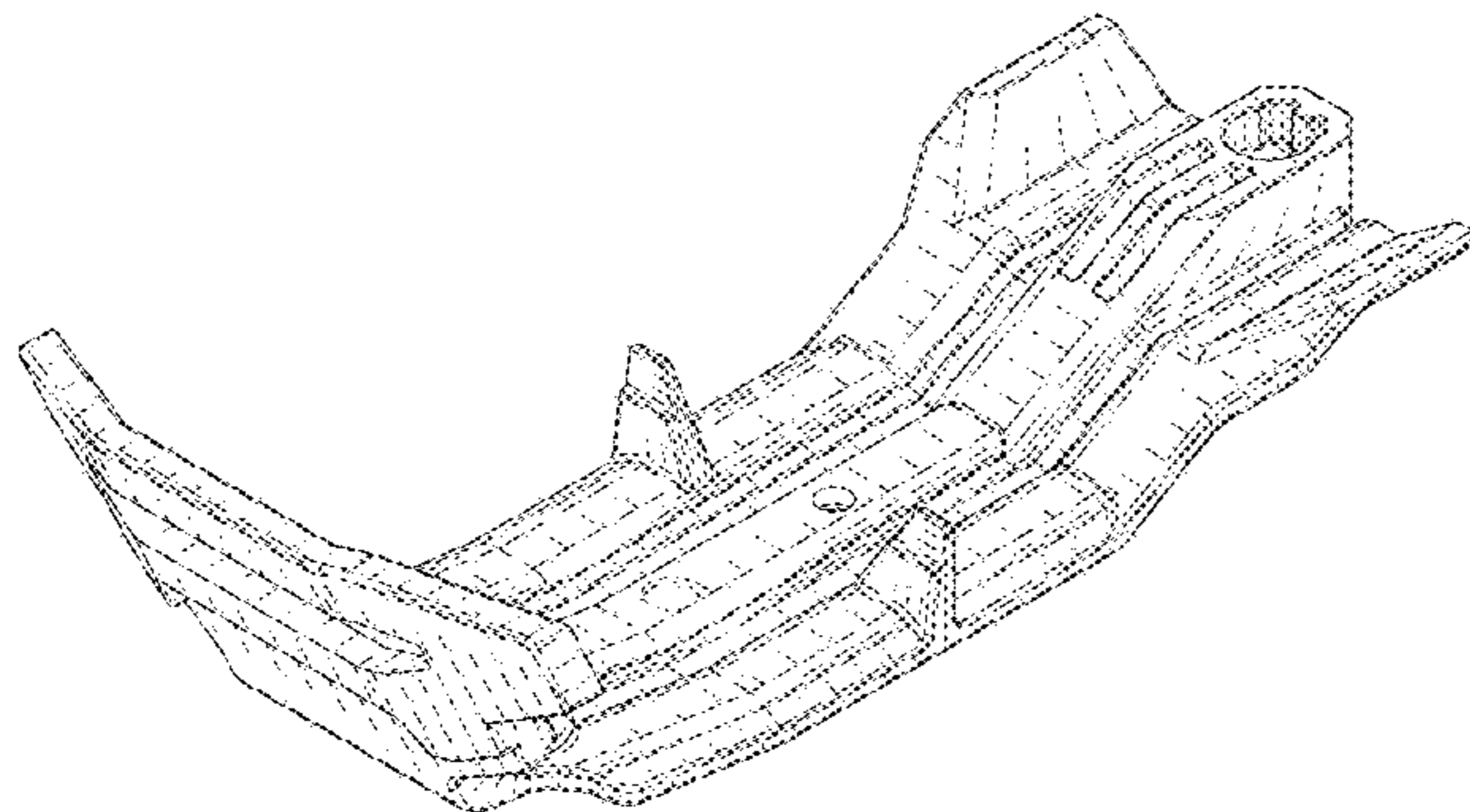
U.S. PATENT DOCUMENTS

D335,484 S	5/1993	Moyle et al.	
D474,726 S	5/2003	Weber et al.	
D487,041 S	2/2004	Schlachter	
D556,094 S	11/2007	May	
D616,797 S	6/2010	Lamm et al.	
D647,445 S	10/2011	Tonello	
D726,605 S *	4/2015	Schroeder	D12/171
D740,719 S	10/2015	Schanz et al.	
D769,163 S	10/2016	Platto et al.	
D827,520 S *	9/2018	Wu	D12/172
D828,262 S	9/2018	Yates	
D842,788 S	3/2019	Wymore	

FIG. 1 is an upper, left, front perspective view of a model vehicle skid showing our new design; FIG. 2 is an upper, right, rear perspective view thereof; FIG. 3 is a lower, right, front perspective view thereof; FIG. 4 is a lower, left, rear perspective view thereof; FIG. 5 is a front elevation view thereof; FIG. 6 is a rear elevation view thereof; FIG. 7 is an upper plan view thereof; FIG. 8 is a lower plan view thereof; FIG. 9 is a right-side elevation view thereof; and, FIG. 10 is a left-side elevation view of a model vehicle skid. In the drawings, the broken lines illustrate portions of the model vehicle skid that form no part of the claimed design.

(Continued)

**1 Claim, 8 Drawing Sheets**



(56)

References Cited

U.S. PATENT DOCUMENTS

D852,698 S 7/2019 Grewer  
 D857,575 S \* 8/2019 Harriton ..... D12/196  
 D857,576 S 8/2019 Harriton et al.  
 D858,395 S 9/2019 Harriton et al.  
 D860,088 S 9/2019 Harriton et al.  
 D864,819 S 10/2019 Grossaint  
 D867,232 S 11/2019 Izard  
 D877,014 S 3/2020 Harriton et al.  
 D923,112 S \* 6/2021 Hagler ..... D21/561  
 D924,338 S 7/2021 Wood et al.  
 D928,679 S 8/2021 Liang  
 D946,666 S \* 3/2022 Ewing ..... D21/561  
 D950,449 S 5/2022 Kil  
 D951,369 S \* 5/2022 Sprowl ..... D21/561  
 D977,382 S 2/2023 Kim et al.  
 D1,008,114 S 12/2023 Arguden et al.  
 D1,016,180 S 2/2024 Allmendinger et al.  
 D1,017,722 S \* 3/2024 Christensen ..... D21/561  
 D1,037,091 S \* 7/2024 Soward ..... D21/561  
 D1,037,109 S \* 7/2024 Harriton ..... D12/196  
 D1,037,115 S 7/2024 Harriton et al.  
 D1,037,964 S \* 8/2024 Harriton ..... D12/196  
 D1,040,252 S 8/2024 Ewing et al.  
 D1,040,253 S 8/2024 Ewing et al.  
 D1,046,012 S \* 10/2024 Ewing ..... D21/561  
 D1,054,506 S 12/2024 Hix et al.  
 D1,072,074 S \* 4/2025 Hagler ..... D21/561  
 D1,080,756 S \* 6/2025 Ewing ..... D21/483

FOREIGN PATENT DOCUMENTS

EM 15111928 \* 7/2025  
 GB 6207306 6/2022  
 GB 6258129 \* 4/2023

OTHER PUBLICATIONS

Amazon Website, Traxxas Skid Plate, Earliest Comment Date: Mar. 6, 2020[Website Visited Oct. 24, 2025] Available on the Internet URL <https://www.amazon.com/dp/B081LMCQVB> (Year: 2020).\*

Amazon Website, Traxxas Skid Plate, Earliest Available Date: Apr. 9, 2020[Website Visited Oct. 24, 2025] Available on the Internet URL <https://www.amazon.com/dp/B08YN4Q8YS/> (Year: 2020).\*  
 Traxxas Skidplate Set, Earliest Available Date Jul. 17, 2009 [Online], [Site Visited Nov. 3, 2020] Available From Internet, URL: <[https://www.amainhobbies.com/traxxas-skidplate-set-tra7037/p139497?gclid=EAlalQobChMlz9HfodHm7AIVy8DICH1FYgZzEAQYAyABEgQLQ2fd\\_BWE](https://www.amainhobbies.com/traxxas-skidplate-set-tra7037/p139497?gclid=EAlalQobChMlz9HfodHm7AIVy8DICH1FYgZzEAQYAyABEgQLQ2fd_BWE)> (Year: 2009).  
 ARB Skid Plates for Toyota Tacoma (2005+), Tin-Eye Date Dec. 7, 2019 [Online], [Site Visited Nov. 3, 2020] Available From Internet, URL: <<https://aventuron.com/collections/arb/products/arb-skid-plates-for-toyota-tacoma-2005>> (Year: 2019).  
 RPM Traxxas Sledge Front Bumper & Skid Plate. 2024. Hobby Time RC. <https://www.hobbytimerc.com/rpm-traxxas-sledge-front-bumper-skid-plate-black-7.html>.  
 Traxxas XRT Center Skid Plate, as shown in [www.amainhobbies.com](http://www.amainhobbies.com), May 16, 2023, Part # TRA7837. (Year: 2023).  
 Traxxas X-Maxx Center Skid Plate, as shown in [www.amazon.com](http://www.amazon.com), Jan. 5, 2016, ASIN B01A6YD5H4. (Year: 2016).  
 HPI Racing—Center Skid Plate (Savage XL Flux V2) HP160311, as shown in [www.eurorc.com](http://www.eurorc.com), no date listed, date found Jun. 6, 2024. (Year: 2024).  
 Traxxas XRT Front and Rear Skid Plates, as shown in [www.hobbytown.com](http://www.hobbytown.com), Jun. 12, 2023, Part # TRA7844. (Year: 2023).  
 Traxxas X-Maxx Skid Plate, Front & Rear, as shown in [www.amazon.com](http://www.amazon.com), Jan. 5, 2016, Asin B01A6YD5IS. (Year: 2016).  
 Traxxas 9044—F&R Skid Plates, Amazon Website, No. Available Date [Website Visited Oct. 17, 2025] Available on the Internet, URL <https://www.amazon.com/dp/BODW9HGYT5> (Year: 2025).  
 Front and Rear Skid Plates, Traxxas Website, No. Available Date [Website Visited Oct. 17, 2025] Available on the Internet, URL <https://traxxas.com/9044-front-and-rear-skid-plates> (Year: 2025).

\* cited by examiner

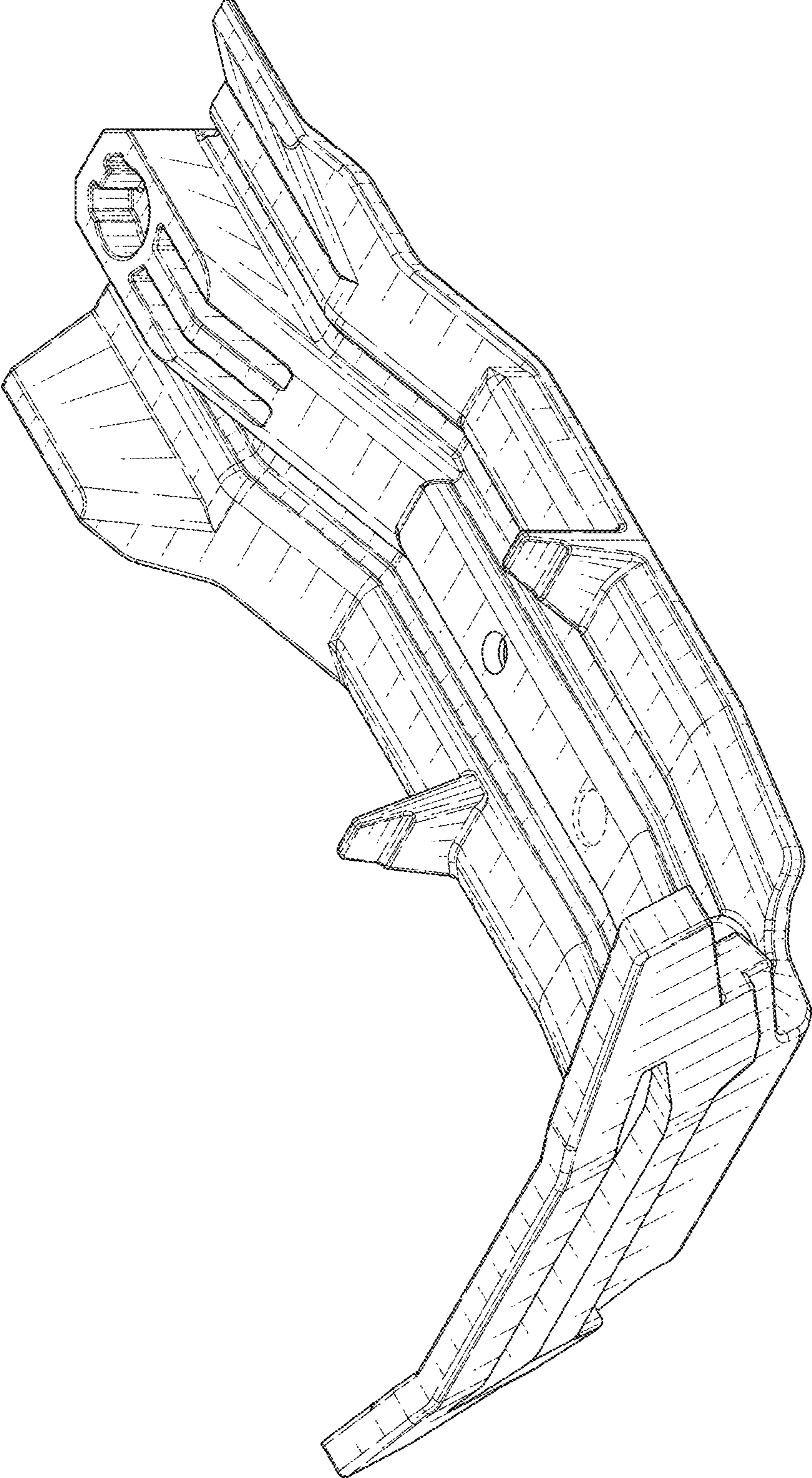


FIG. 1

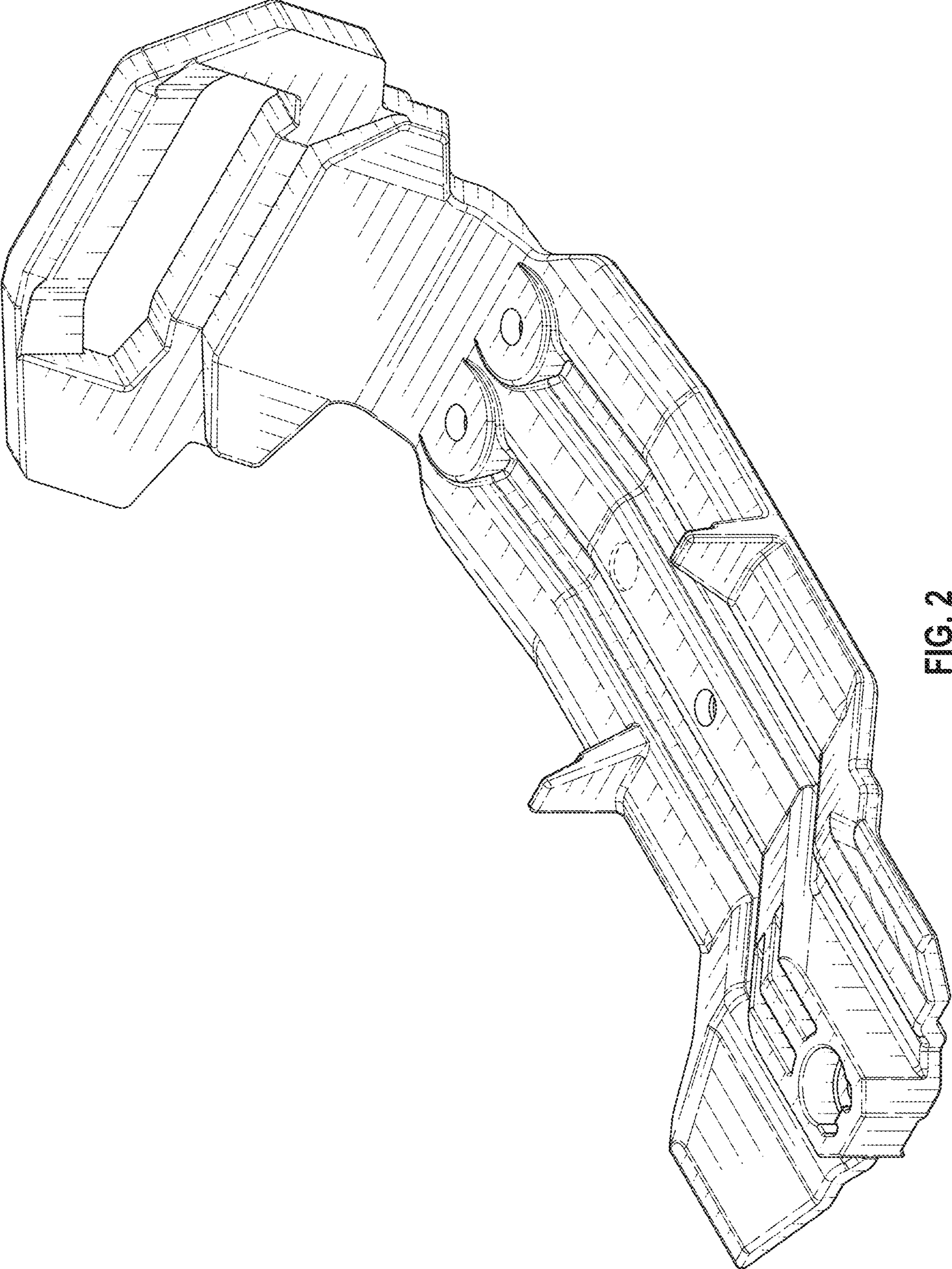


FIG. 2

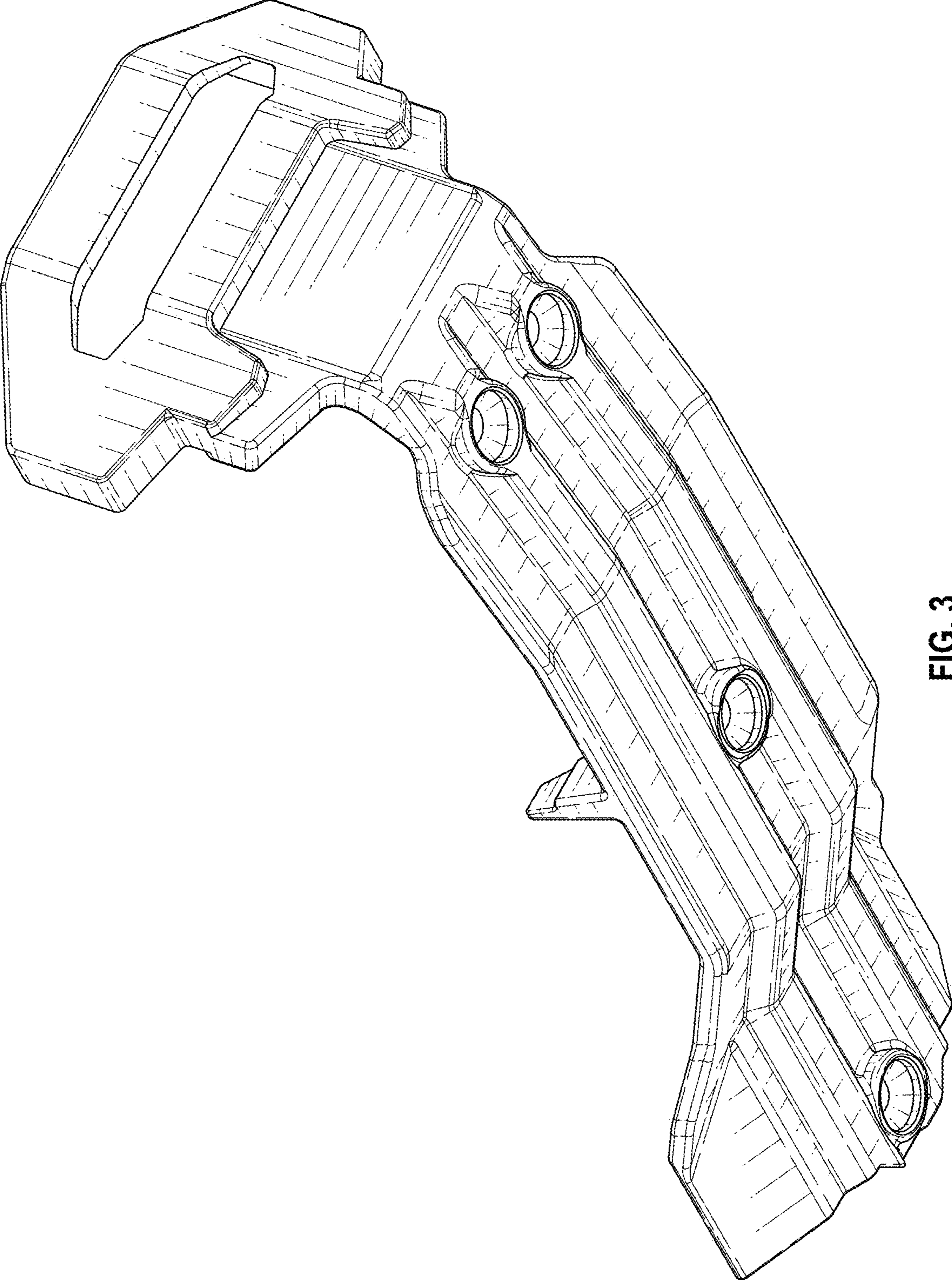


FIG. 3

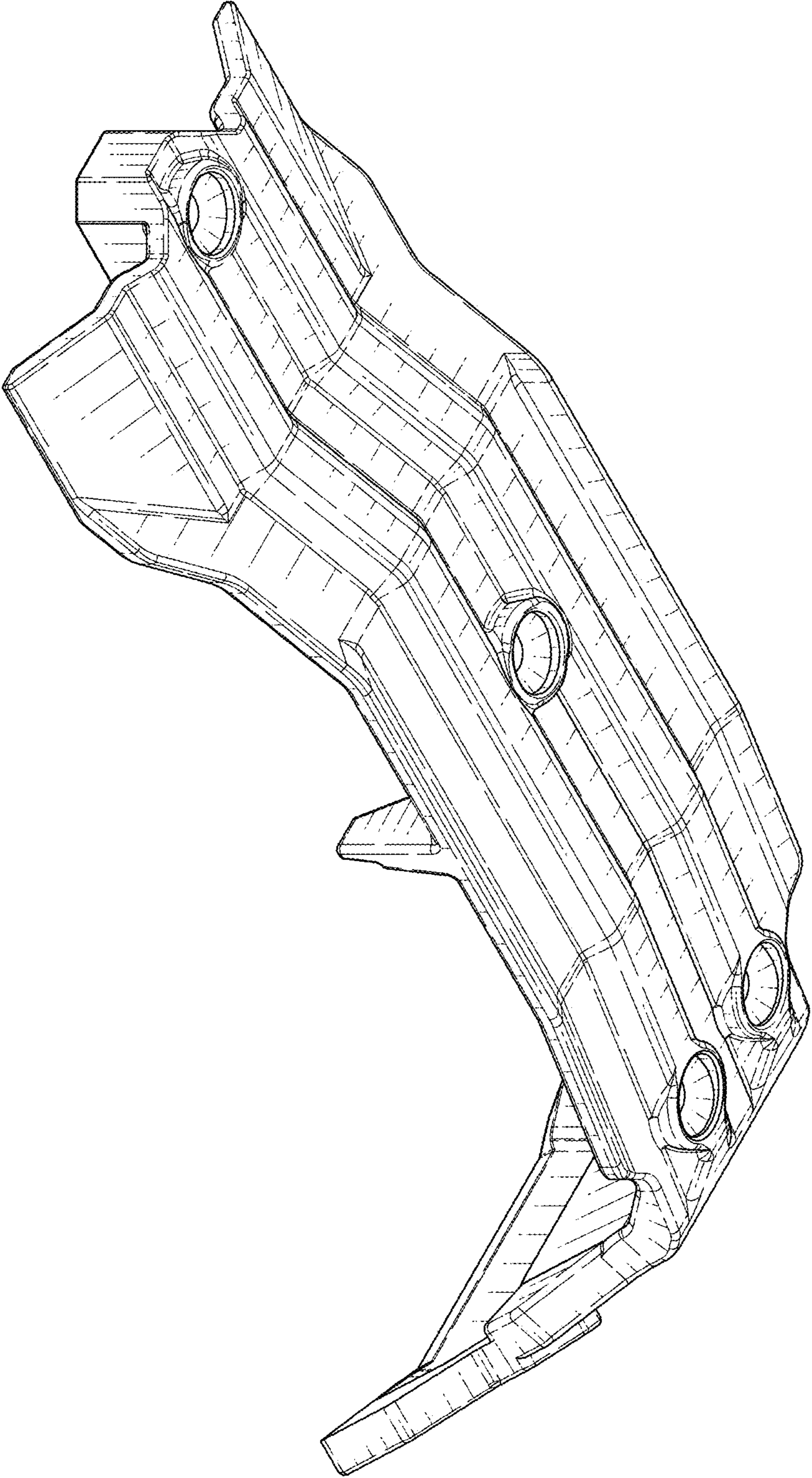


FIG. 4

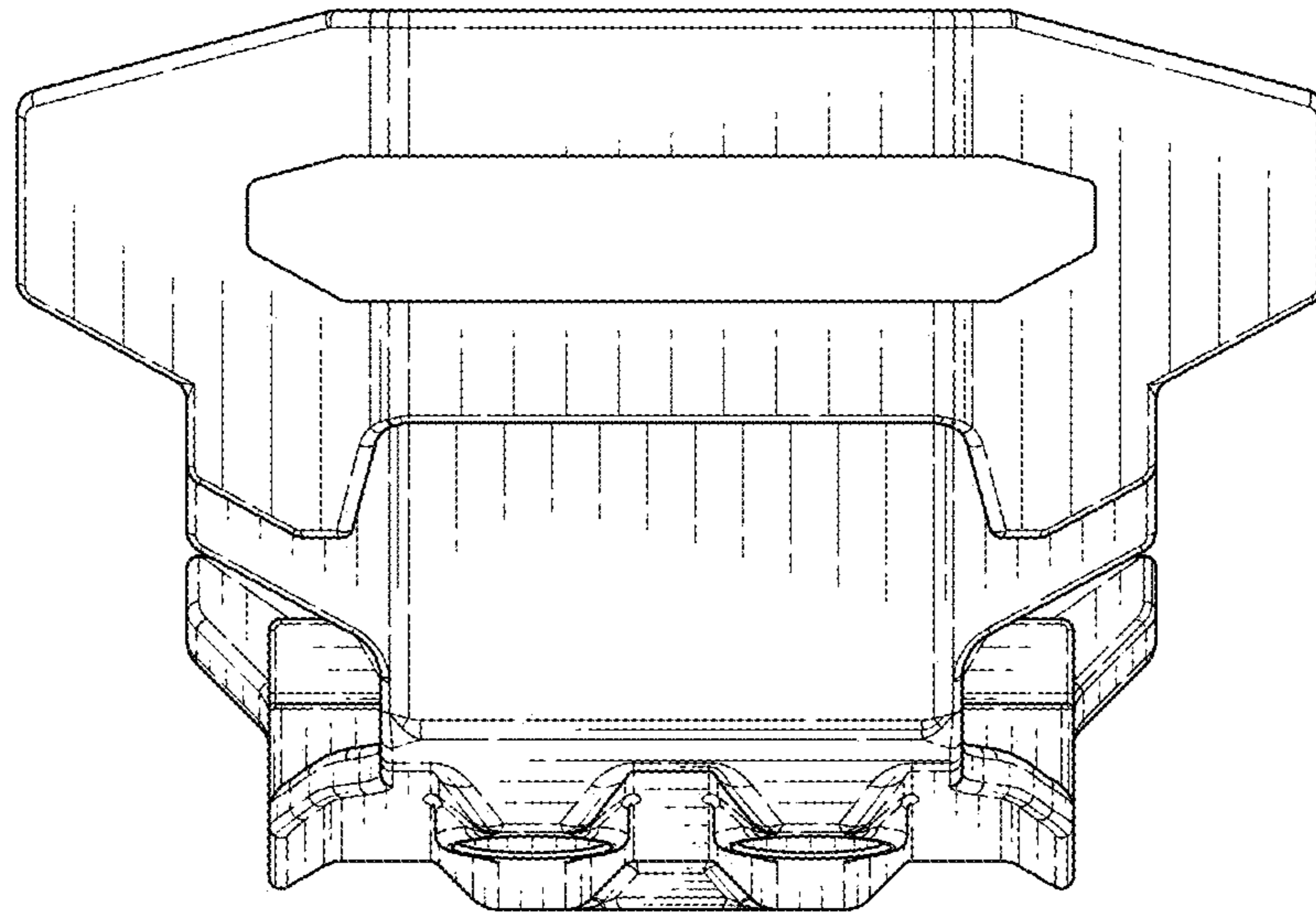


FIG. 5

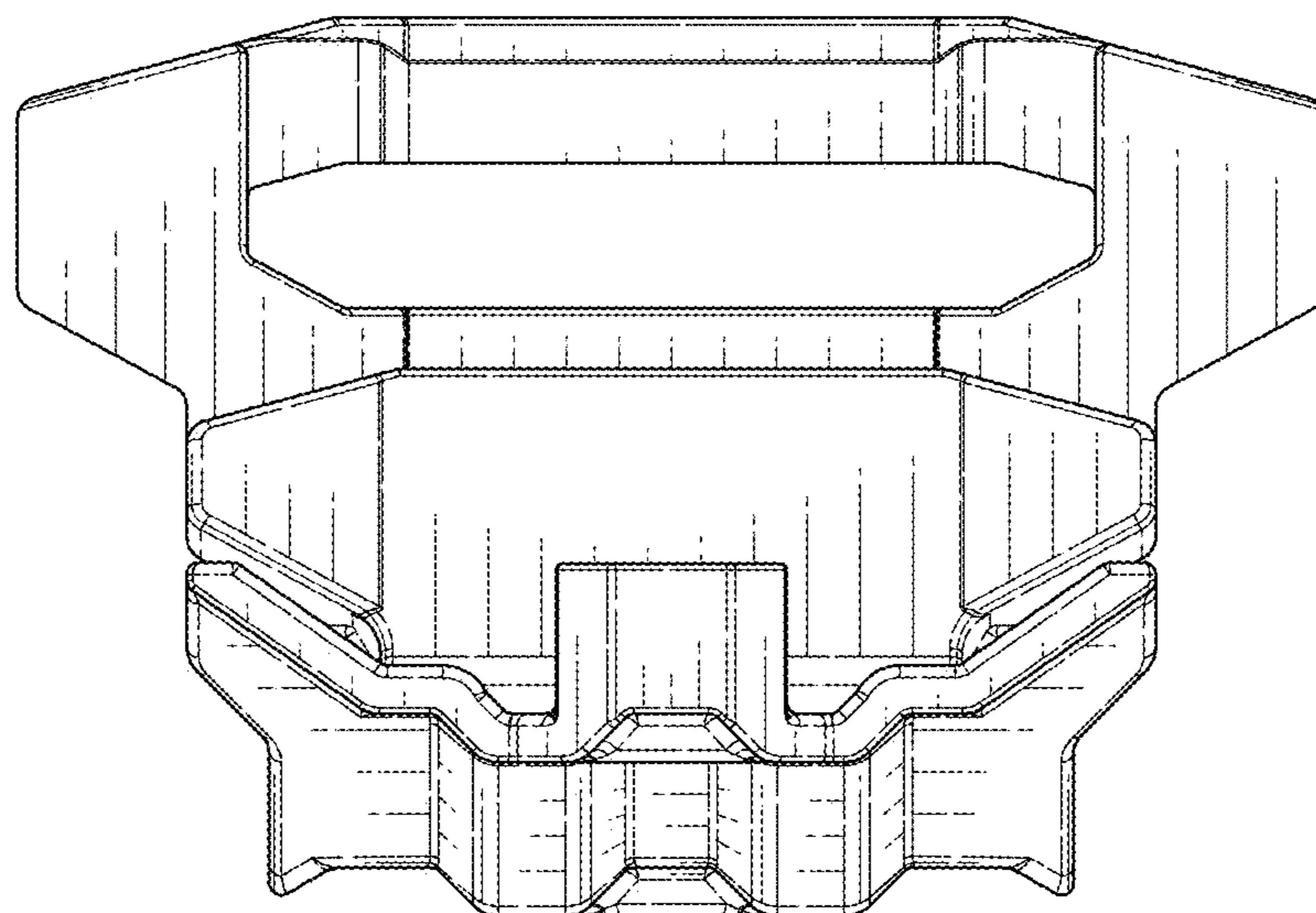


FIG. 6

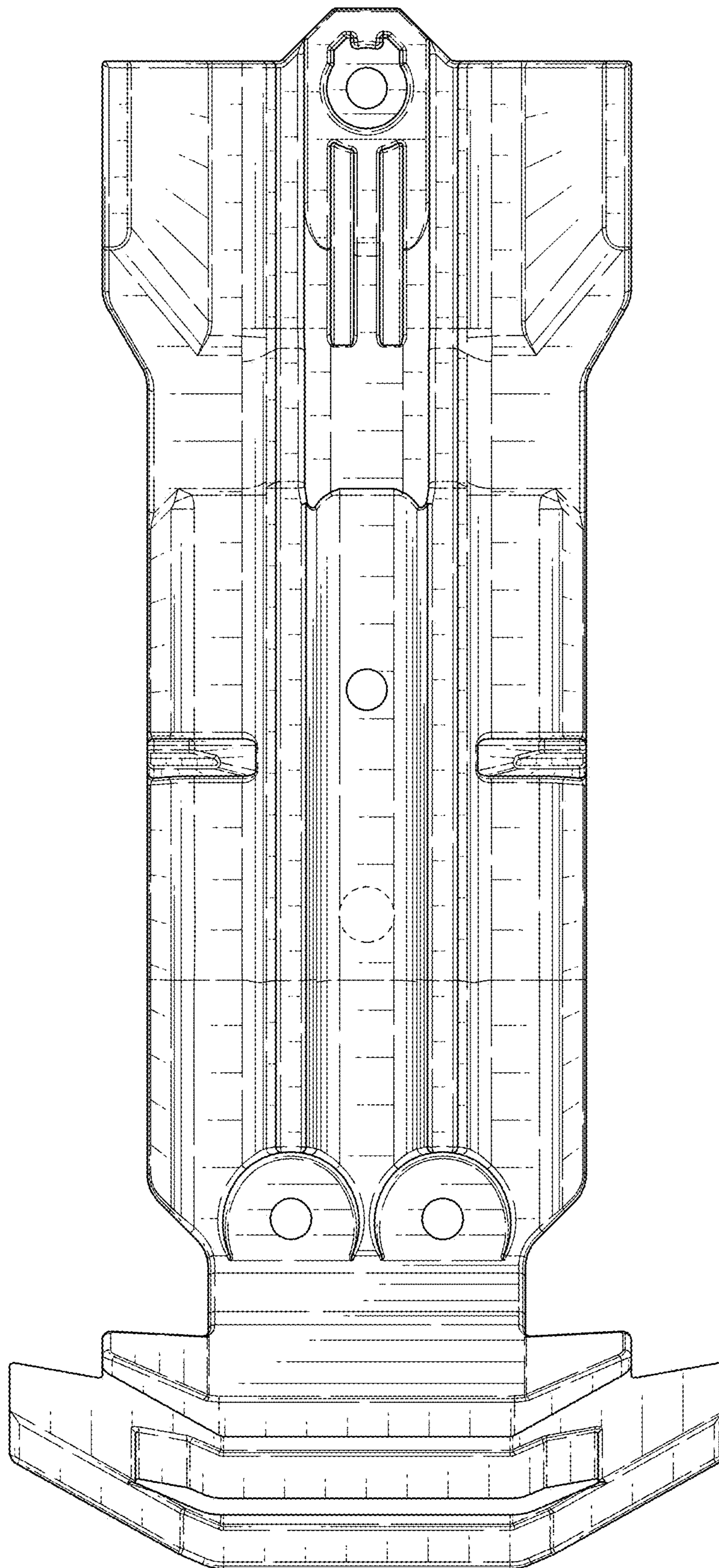


FIG. 7

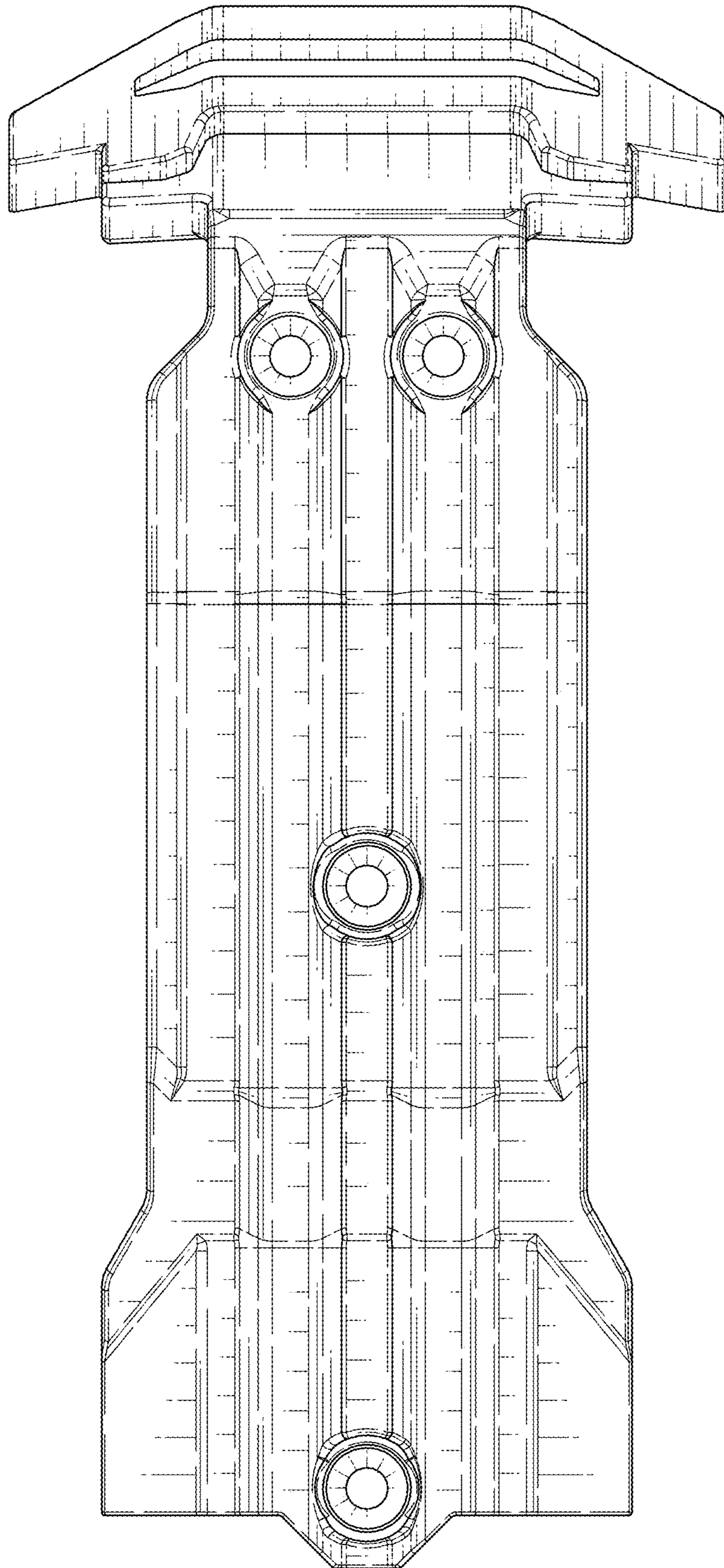


FIG. 8

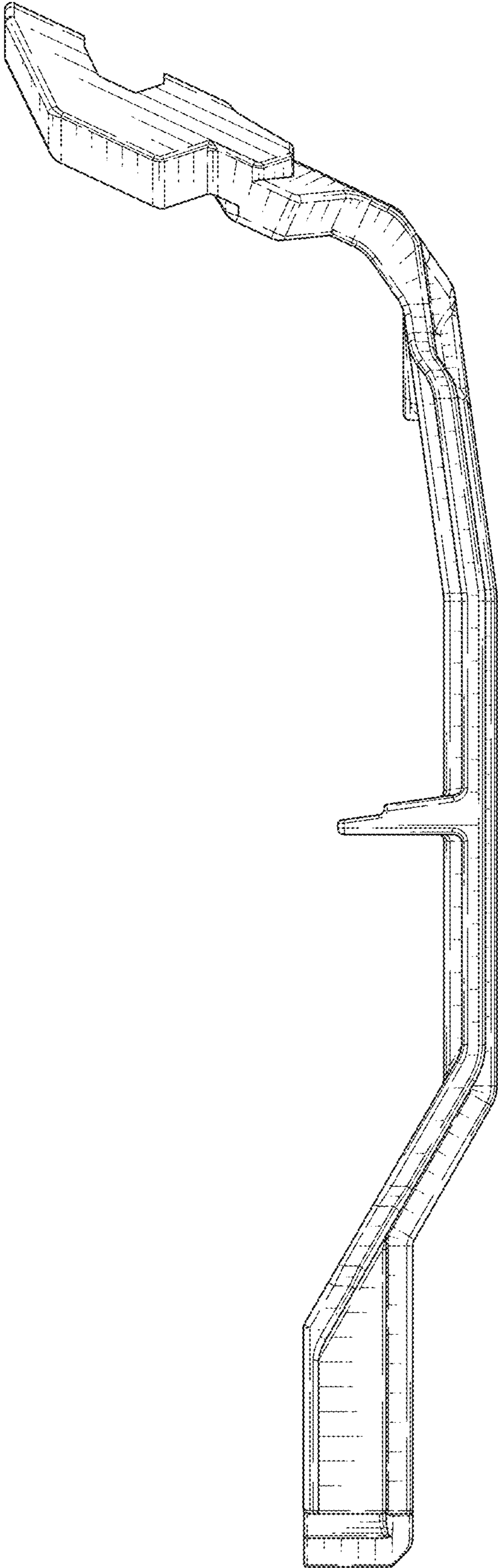


FIG. 9

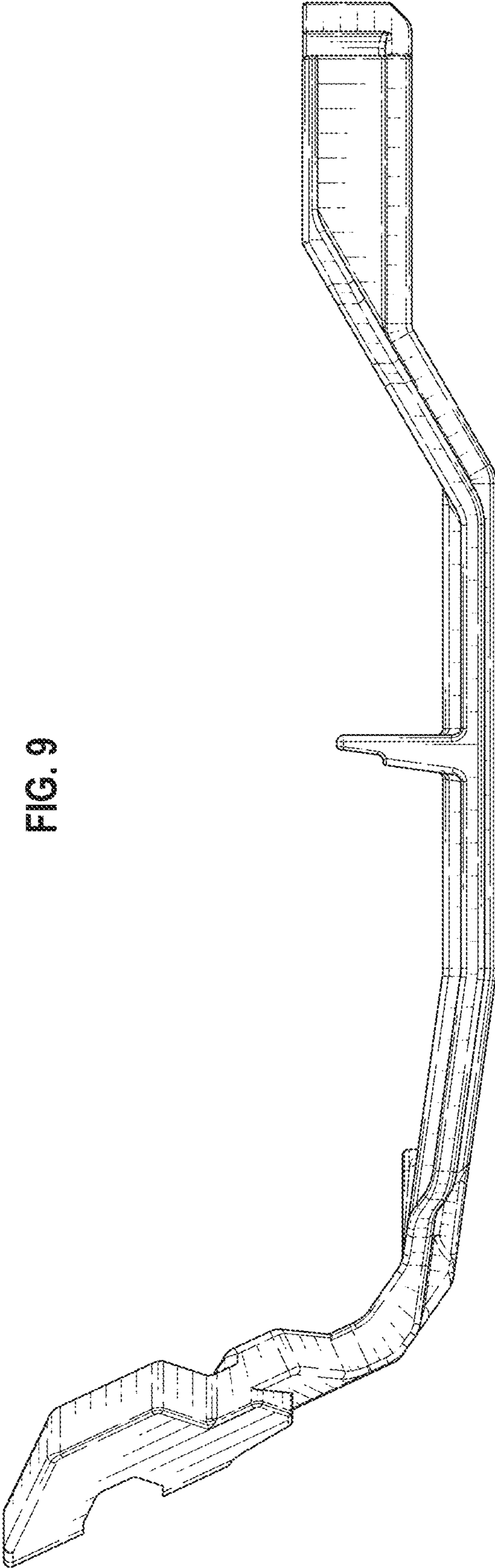


FIG. 10