



US0D1124172S

(12) **United States Design Patent** (10) **Patent No.:** **US D1,124,172 S**  
**Soward et al.** (45) **Date of Patent:** **\*\* Apr. 28, 2026**

(54) **MODEL VEHICLE TOE LINK SET**

(71) Applicant: **TRAXXAS, L.P.**, McKinney, TX (US)

(72) Inventors: **Terry Soward**, Van Alstyne, TX (US);  
**Randy Perez**, McKinney, TX (US)

(73) Assignee: **TRAXXAS, L.P.**, McKinney, TX (US)

(\*\*) Term: **15 Years**

(21) Appl. No.: **29/961,181**

(22) Filed: **Sep. 4, 2024**

(51) **LOC (15) Cl.** ..... **21-01**

(52) **U.S. Cl.**

USPC ..... **D21/561**; D21/562; D21/533

(58) **Field of Classification Search**

USPC ..... D21/533, 562, 561, 565, 424, 595, 495,  
D21/489, 491; D12/159

CPC ..... A63H 17/262; A63H 18/08

See application file for complete search history.

(56) **References Cited**

**U.S. PATENT DOCUMENTS**

D543,492 S *	5/2007	Lyew	.....	D12/159
D545,246 S *	6/2007	Kroeker	.....	D12/159
D727,218 S *	4/2015	Hsu	.....	D12/159
D757,630 S *	5/2016	Boyce	.....	D12/223
D833,346 S *	11/2018	Wicks	.....	D12/179
D867,474 S *	11/2019	Ewing	.....	D12/159
D954,608 S *	6/2022	Klakring	.....	D12/159
D968,526 S *	11/2022	Hagler	.....	D21/562
D968,527 S *	11/2022	Hagler	.....	D21/562
D1,013,061 S *	1/2024	Hagler	.....	D21/561
D1,056,074 S *	12/2024	Poteet	.....	D21/562
D1,070,669 S *	4/2025	Collins	.....	D12/159
D1,074,848 S *	5/2025	Hix	.....	D12/159

**FOREIGN PATENT DOCUMENTS**

GB	6427562	*	3/2025
KR	3005920220000	*	3/2011
KR	3010106310000	*	6/2019

**OTHER PUBLICATIONS**

Traxxas Website, Traxxas Toe Links, No Available Date [Website Visited Sep. 23, 2025] Available on the Internet URL <https://traxxas.com/9027-98-mm-fixed-length-composite-toe-links> (Year: 2025).\*  
Amazon Website, Traxxas Toe Links, No Available Date [Website Visited Sep. 23, 2025] Available on the Internet URL <https://www.amazon.com/dp/B0DW91CJY4/> (Year: 2025).\*  
Amazon Website, Hot Racing Toe Links, Jan. 5, 2024 [Website Visited Sep. 23, 2025] Available on the Internet URL <https://www.amazon.com/dp/B0BPYQTT41> (Year: 2024).\*

\* cited by examiner

*Primary Examiner* — Michael C Stout

*Assistant Examiner* — James T Tyree

(74) *Attorney, Agent, or Firm* — Daryl R. Wright; Greg Carr

(57) **CLAIM**

The ornamental design for a model vehicle toe link set as shown and described.

**DESCRIPTION**

FIG. 1 is an upper, left, front perspective view of the first left-side embodiment of a model vehicle toe link set showing our new design;

FIG. 2 is an upper, right, rear perspective view thereof;

FIG. 3 is a lower, right, front perspective view thereof;

FIG. 4 is a lower, left, rear perspective view thereof;

FIG. 5 is a front elevation view thereof;

FIG. 6 is a rear elevation view thereof;

FIG. 7 is an upper plan view thereof;

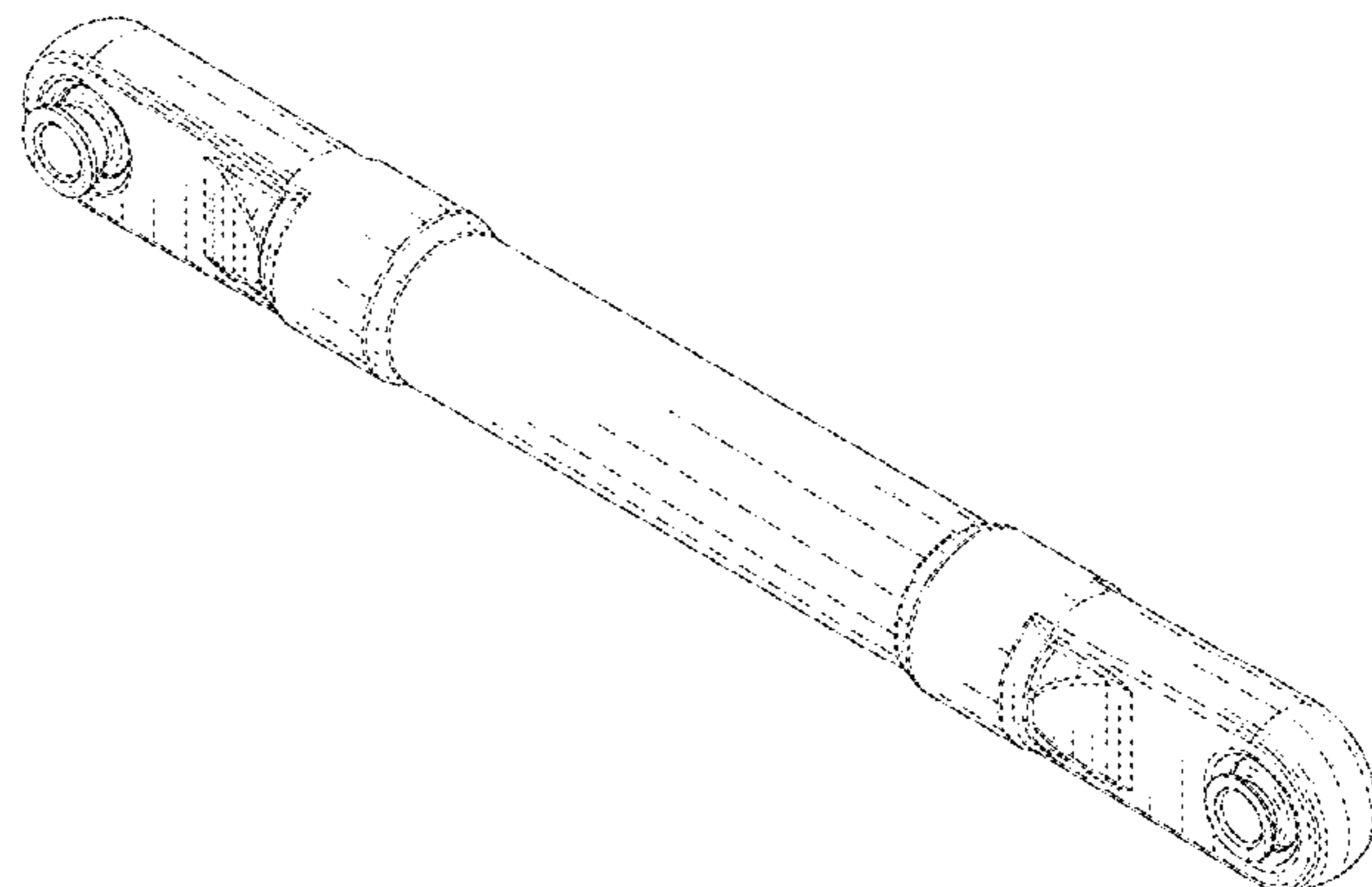
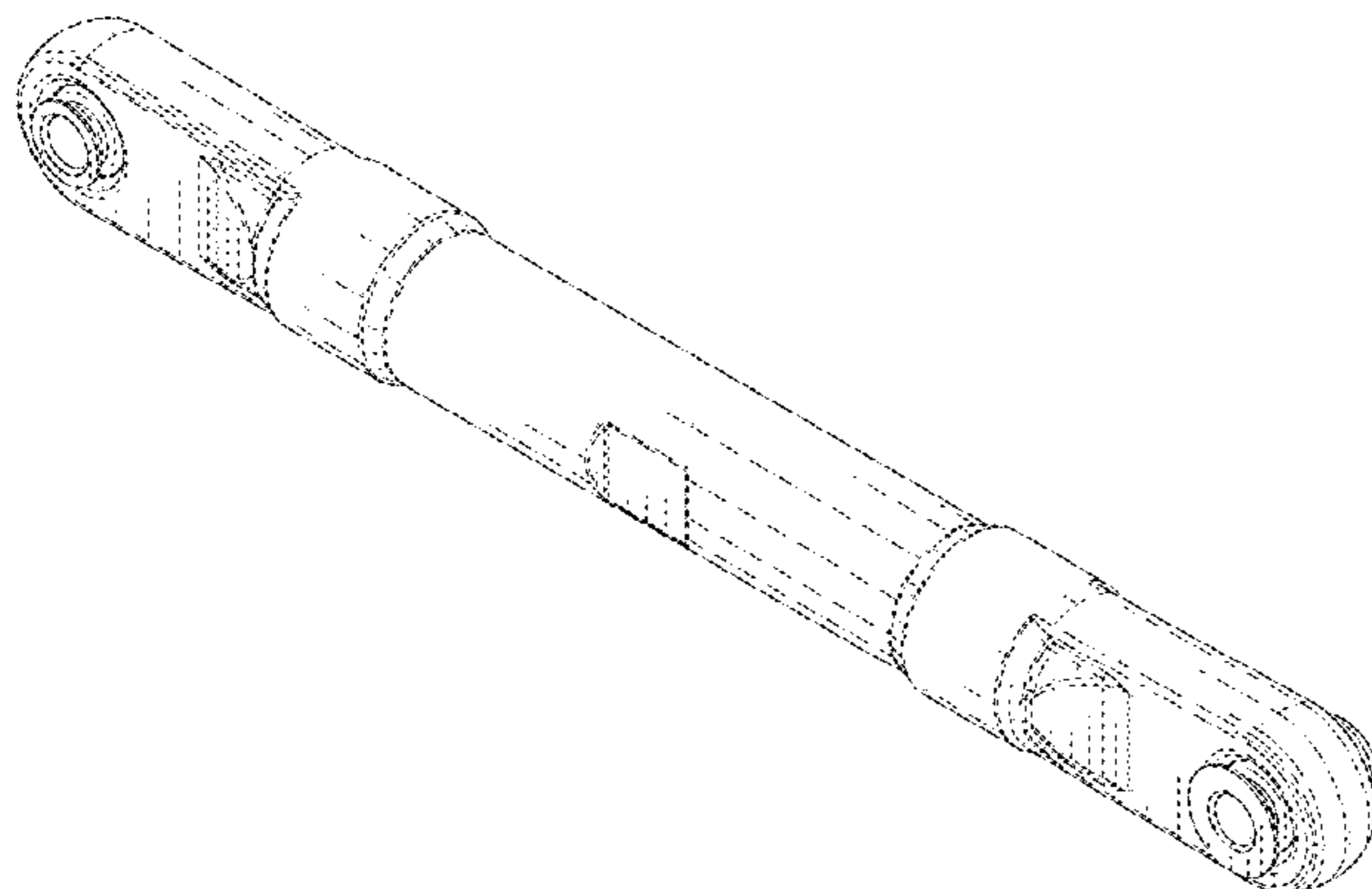
FIG. 8 is a lower plan view thereof;

FIG. 9 is a right-side elevation view thereof; and,

FIG. 10 is a left-side elevation view of a model vehicle toe link set.

A second right-side embodiment, which is a mirror of the first embodiment, also forms a part of the claimed design.

**1 Claim, 7 Drawing Sheets**



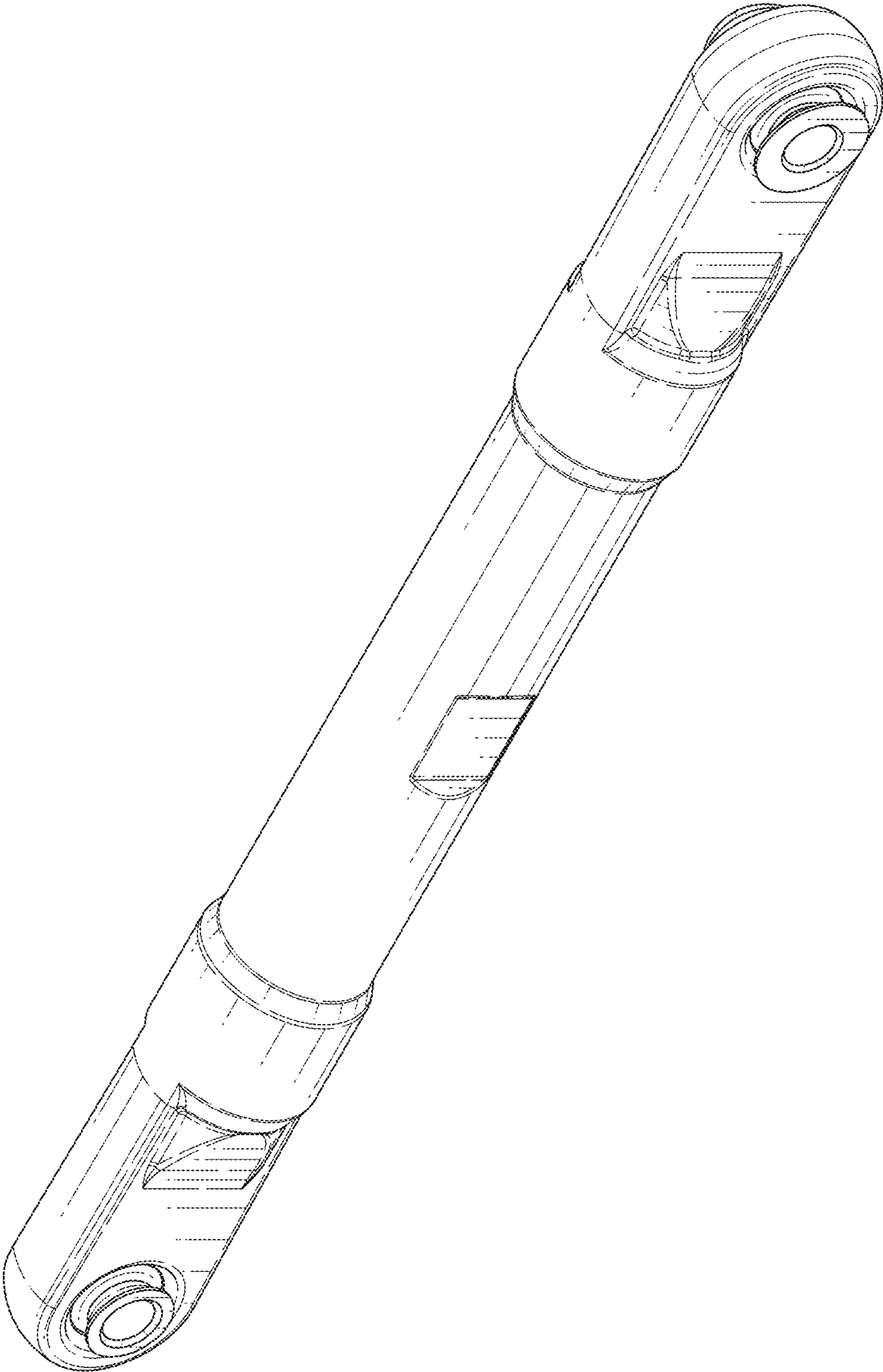


FIG. 1

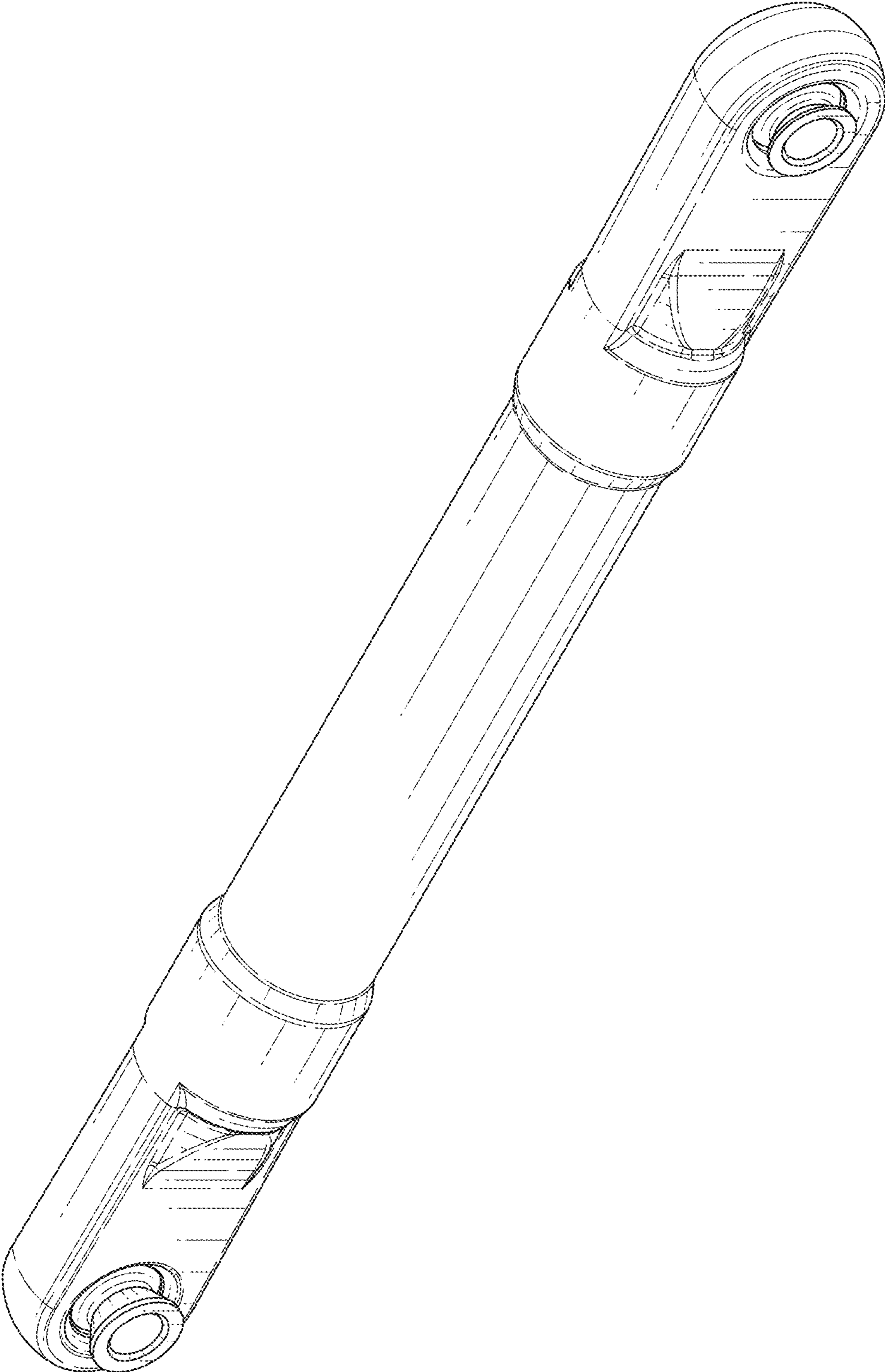


FIG. 2

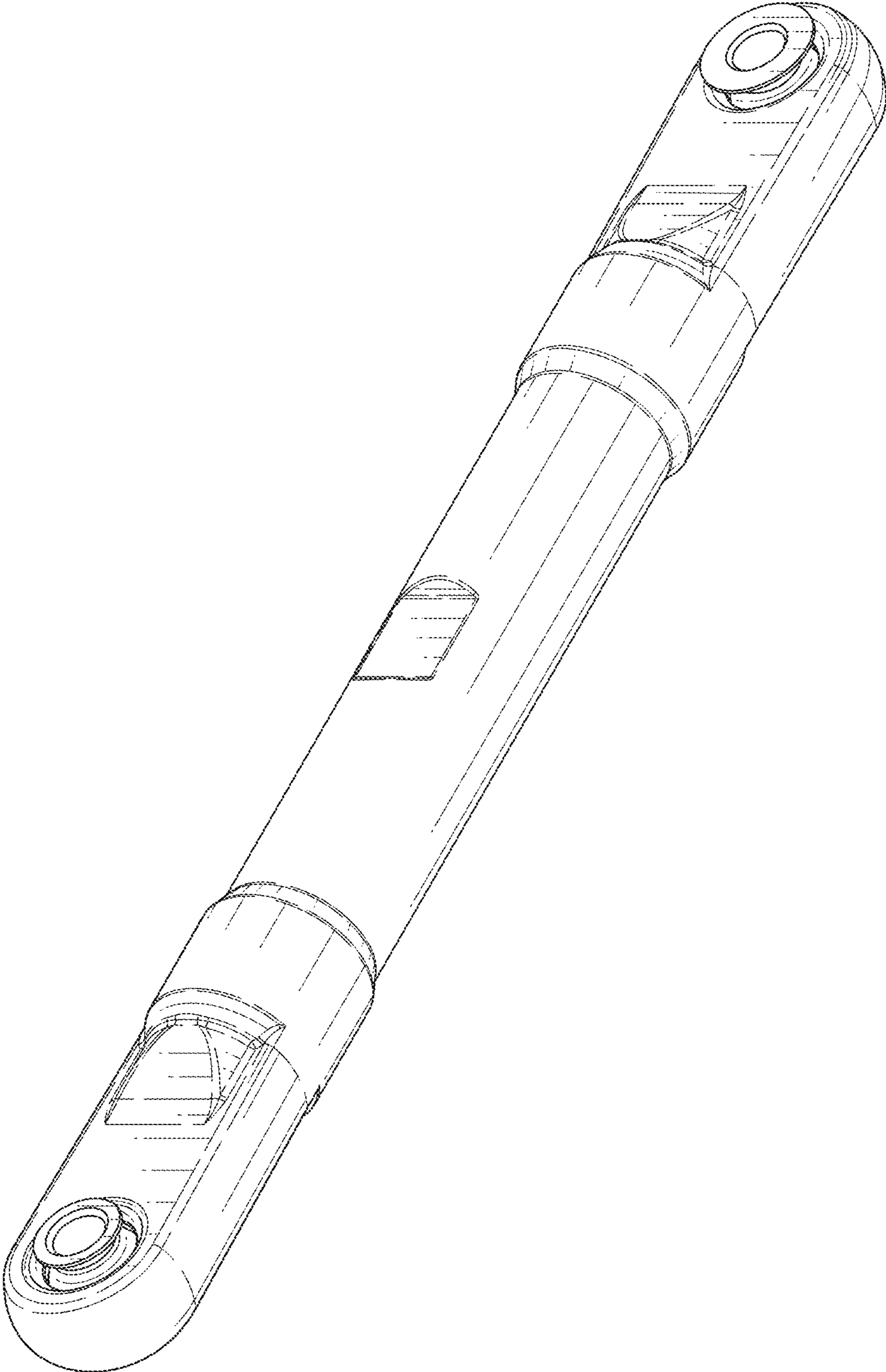


FIG. 3

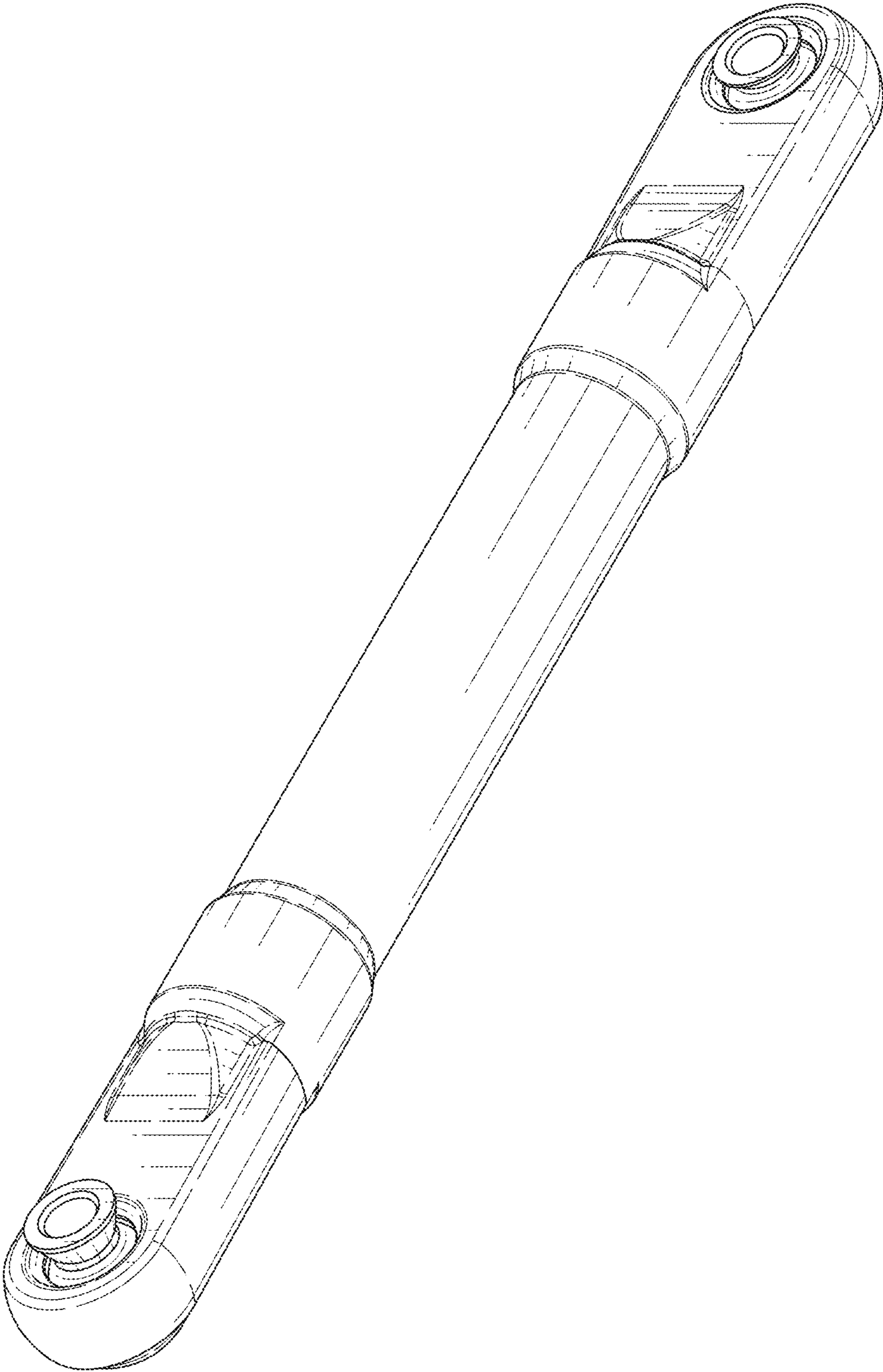


FIG. 4

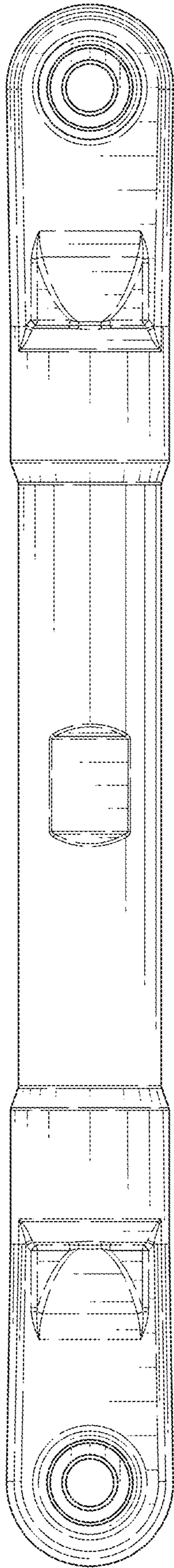


FIG. 5

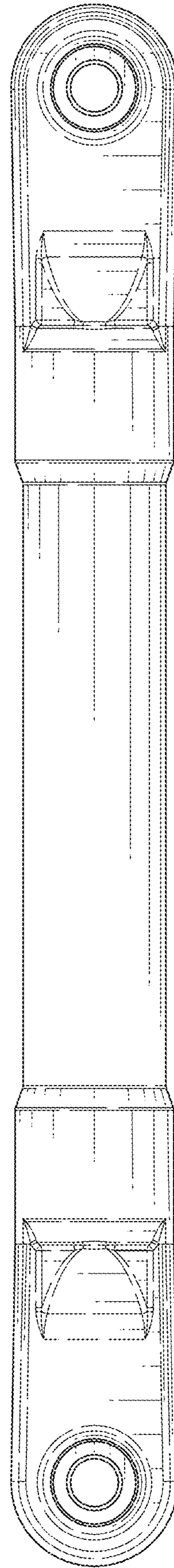


FIG. 6

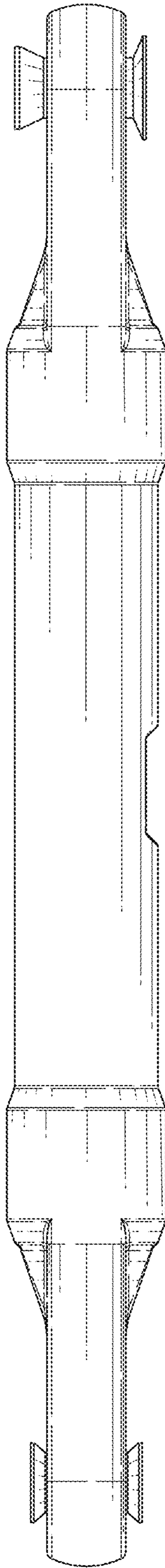


FIG. 7

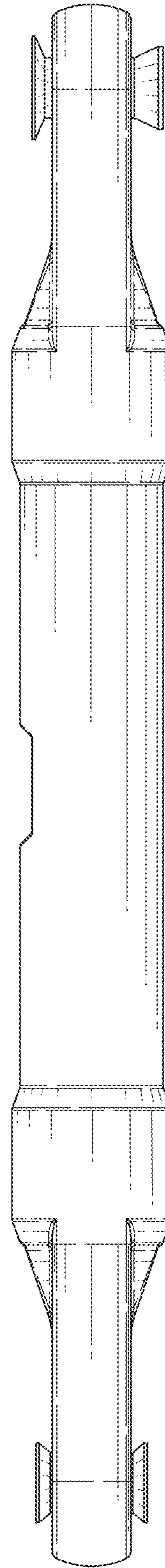


FIG. 8

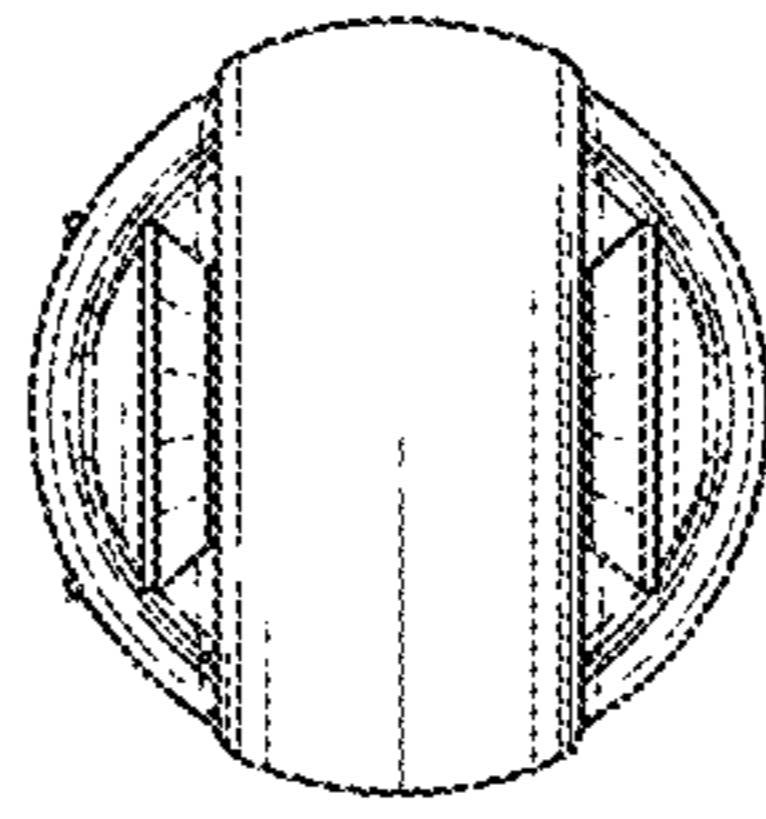


FIG. 9

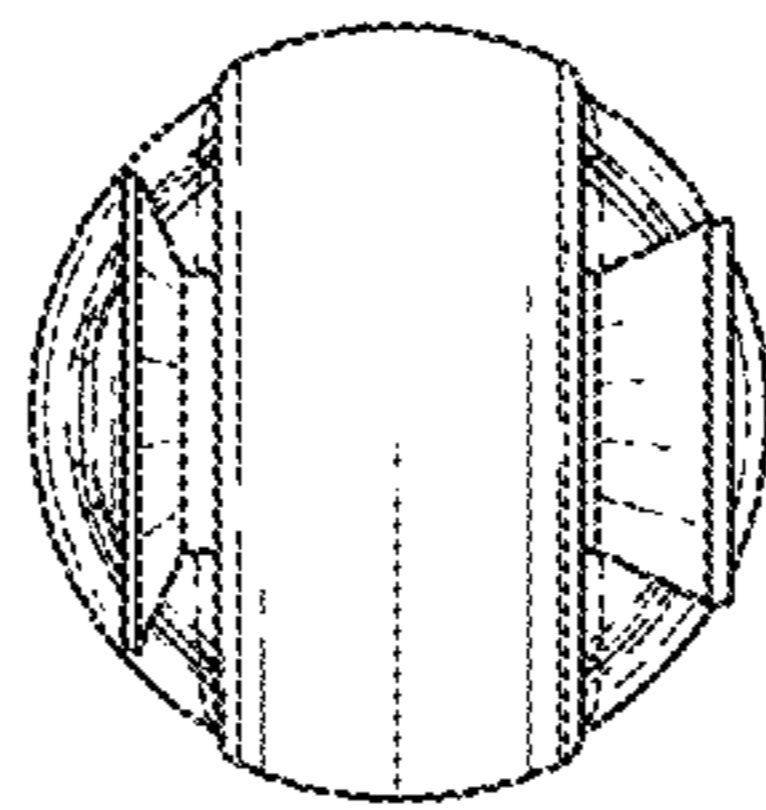


FIG. 10