



US0D1124164S

(12) **United States Design Patent** (10) **Patent No.:** **US D1,124,164 S**  
**Christensen et al.** (45) **Date of Patent:** **\*\* Apr. 28, 2026**

(54) **MODEL VEHICLE BRAKE HEX**  
(71) Applicant: **TRAXXAS, L.P.**, McKinney, TX (US)  
(72) Inventors: **Casey Christen Jens Christensen**,  
Trenton, TX (US); **Jory Sprowl**, Howe,  
TX (US); **Skylar Hagler**, Anna, TX  
(US); **Randy Perez**, McKinney, TX  
(US); **Terry Soward**, Van Alstyne, TX  
(US); **Otto Karl Allmendinger**,  
Rowlett, TX (US); **Adam Cole Ewing**,  
McKinney, TX (US); **Kent Poteet**,  
Lucas, TX (US)

(73) Assignee: **TRAXXAS, L.P.**, McKinney, TX (US)  
(\*\*) Term: **15 Years**

(21) Appl. No.: **29/989,497**

(22) Filed: **Feb. 13, 2025**

(51) **LOC (15) Cl.** ..... **21-01**

(52) **U.S. Cl.**  
USPC ..... **D21/561**; D8/29

(58) **Field of Classification Search**  
USPC ..... D21/484, 495, 561, 562; D12/159, 160,  
D12/161, 169, 172, 180; D8/29, 86  
CPC ..... A63H 17/00; A63H 17/002; A63H 17/26;  
A63H 17/262; A63H 17/36; A63H 17/42;  
B25B 13/065

See application file for complete search history.

(56) **References Cited**

**U.S. PATENT DOCUMENTS**

D214,745 S \* 7/1969 Walker ..... D21/488  
D308,708 S \* 6/1990 Poulsen ..... D21/495

D550,050 S \* 9/2007 Peng ..... D8/29  
D669,941 S \* 10/2012 Kim ..... D8/382  
D807,795 S \* 1/2018 Guse ..... D12/159  
10,064,721 B2 \* 9/2018 Lim ..... A61F 2/95  
D894,055 S \* 8/2020 George ..... D12/160  
11,478,905 B1 \* 10/2022 Janzen, III ..... B25B 13/065  
D1,084,805 S \* 7/2025 Ichim ..... D8/29  
2010/0275738 A1 \* 11/2010 Taylor, Jr. .... B25B 13/107  
81/121.1  
2017/0036324 A1 \* 2/2017 Taylor, Jr. .... B25B 13/107  
2020/0282527 A1 \* 9/2020 Shih ..... B25B 13/065  
2022/0331935 A1 \* 10/2022 Dugan ..... B25B 23/0021  
2025/0073607 A1 \* 3/2025 Yang ..... A63H 17/262

\* cited by examiner

*Primary Examiner* — Cynthia M. Chin

(74) *Attorney, Agent, or Firm* — Daryl R. Wright; Greg Carr

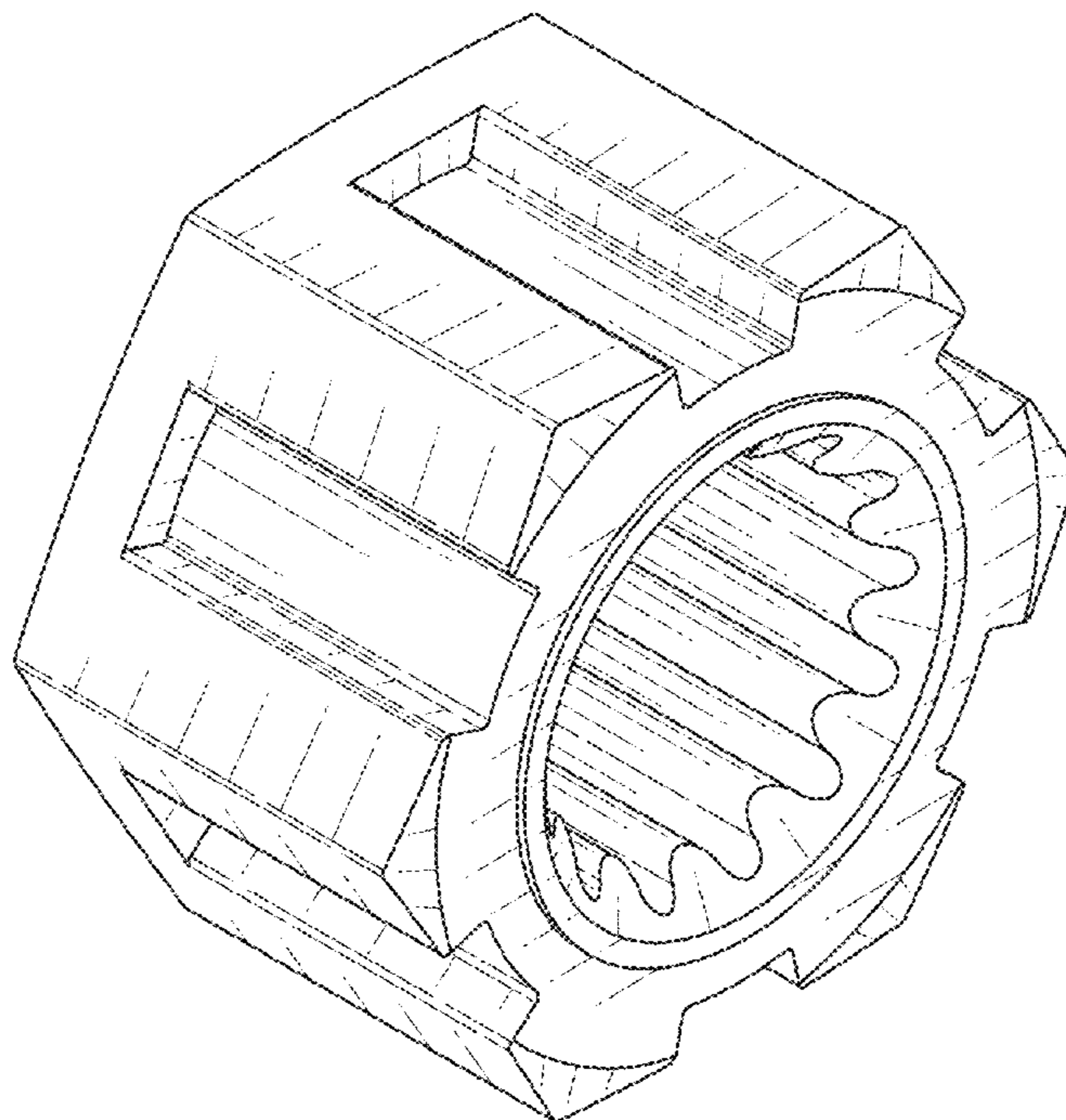
(57) **CLAIM**

The ornamental design for a model vehicle brake hex as shown and described.

**DESCRIPTION**

FIG. 1 is an upper, left, front perspective view of a model vehicle brake hex showing our new design; FIG. 2 is an upper, right, rear perspective view thereof; FIG. 3 is a lower, right, front perspective view thereof; FIG. 4 is a lower, left, rear perspective view thereof; FIG. 5 is a front elevation view thereof; FIG. 6 is a rear elevation view thereof; FIG. 7 is an upper plan view thereof; FIG. 8 is a lower plan view thereof; FIG. 9 is a right-side elevation view thereof; and, FIG. 10 is a left-side elevation view of a model vehicle brake hex.

**1 Claim, 7 Drawing Sheets**



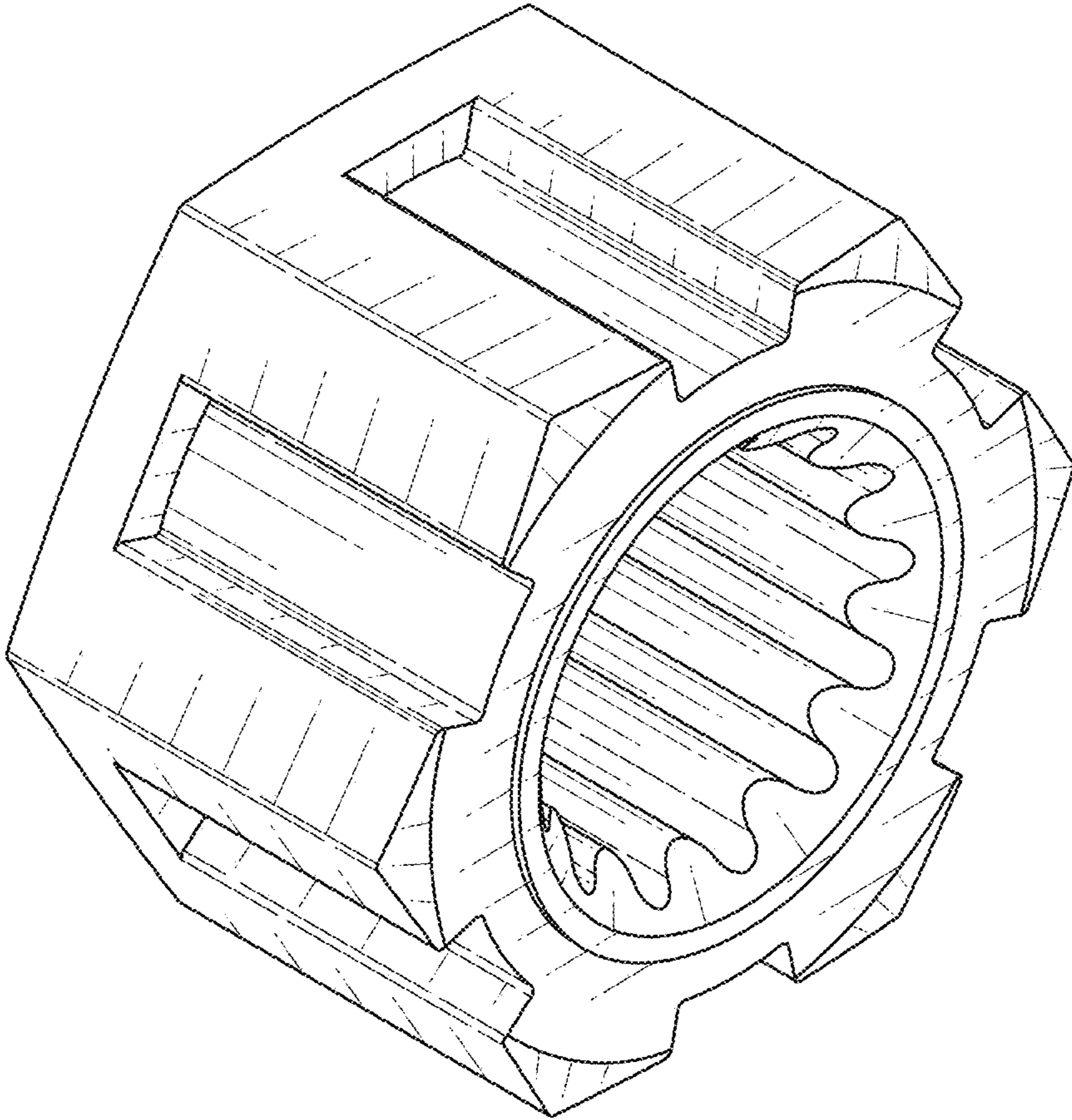


FIG. 1

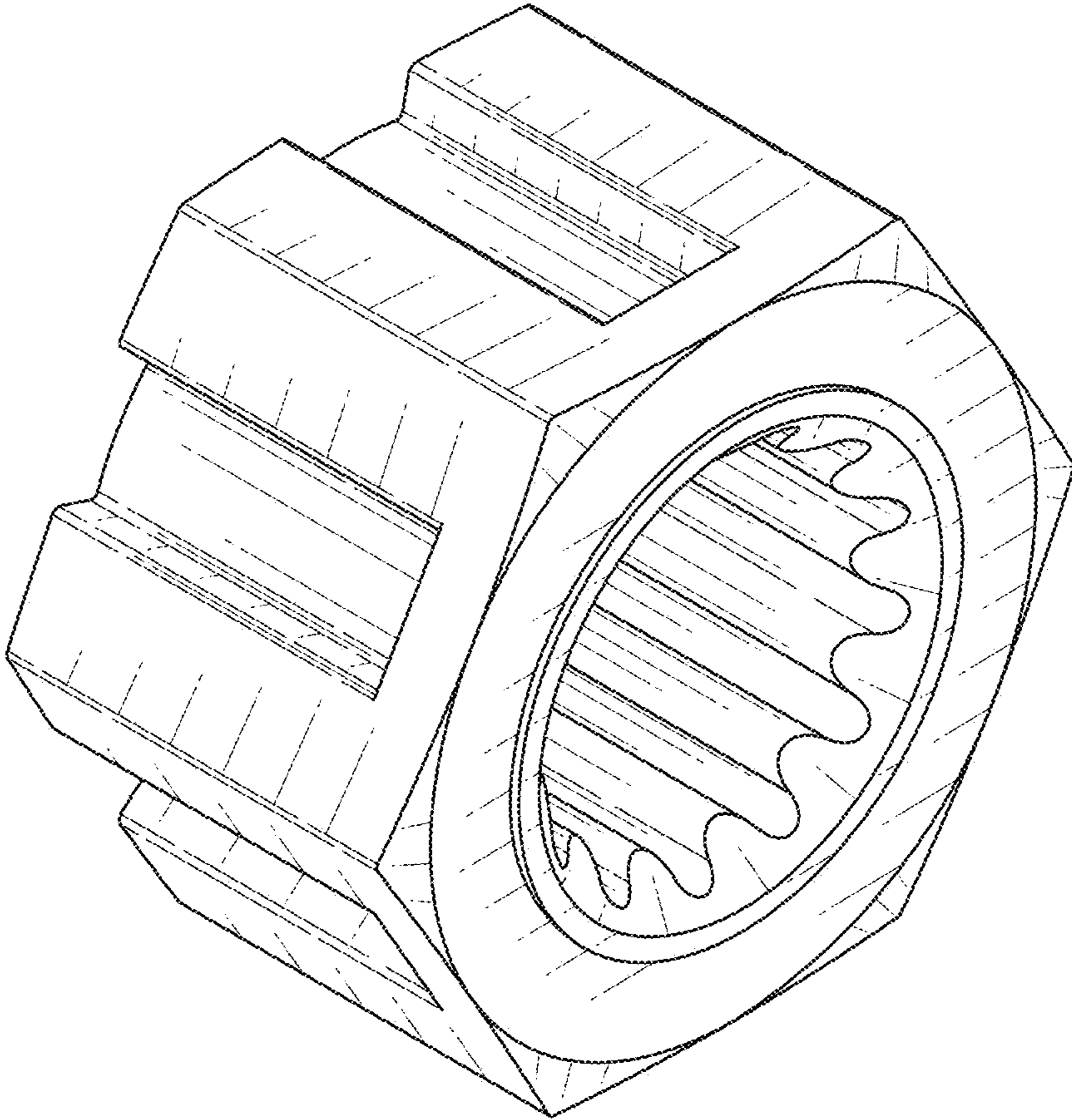


FIG. 2

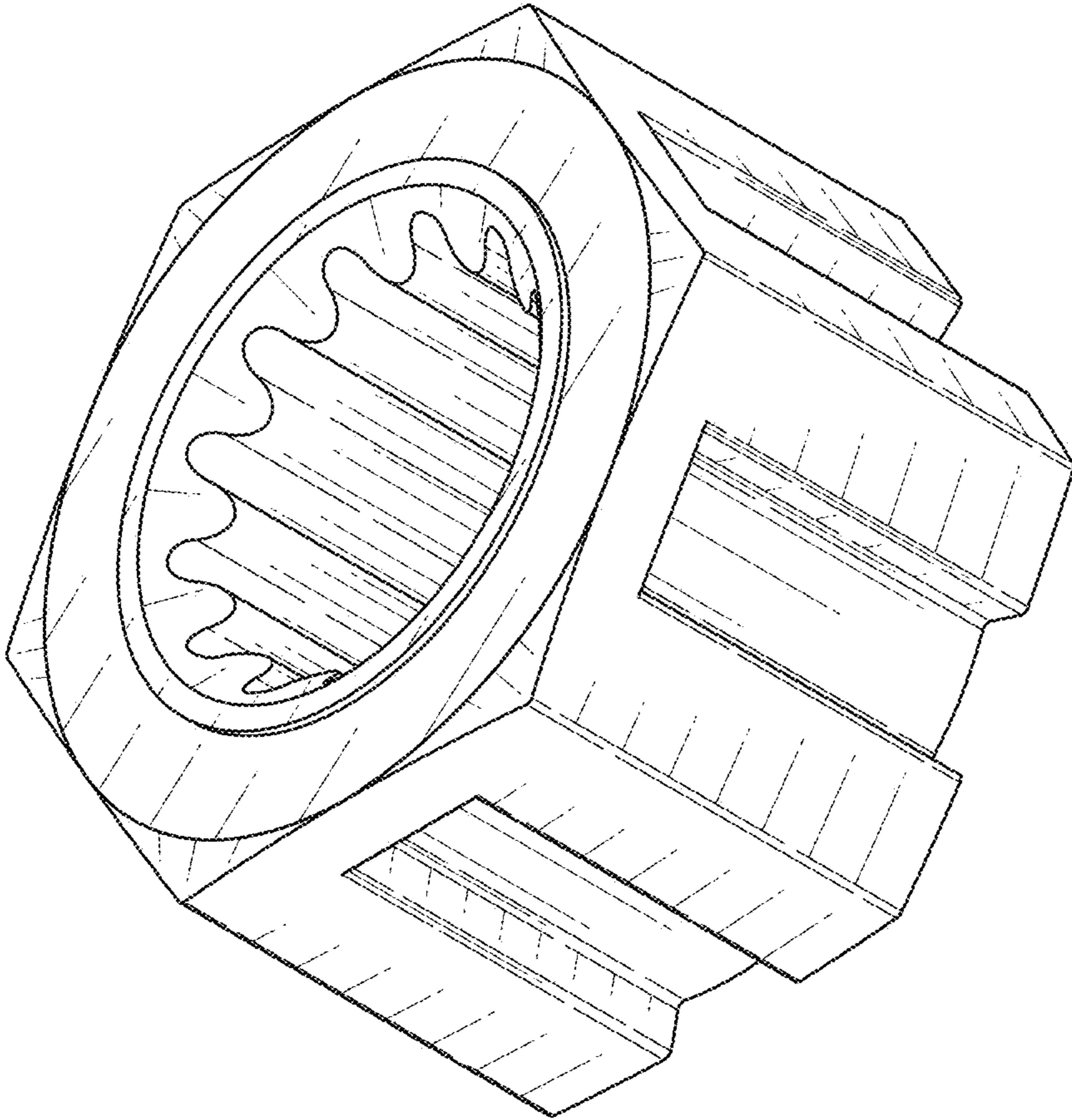


FIG. 3

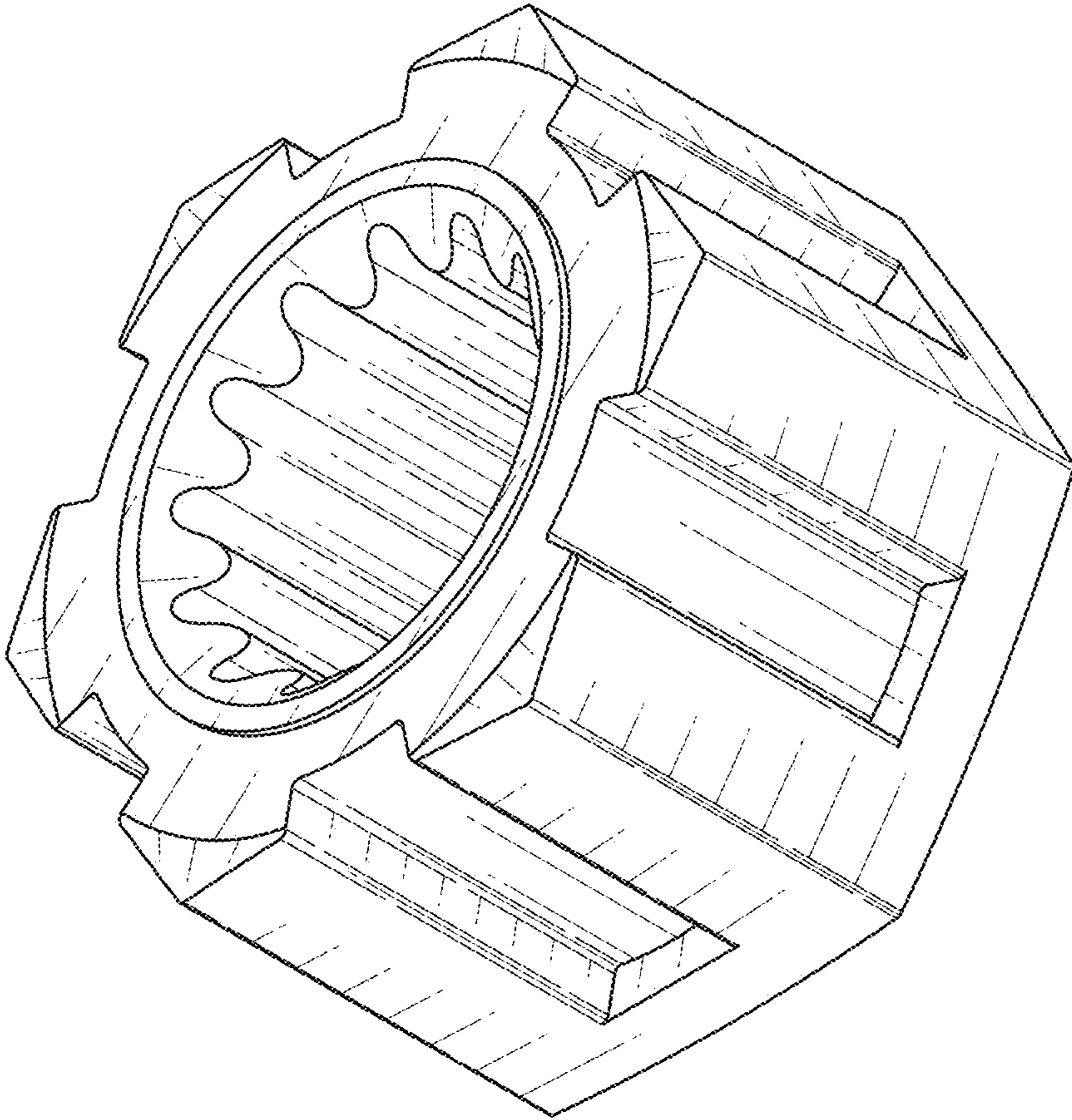


FIG. 4

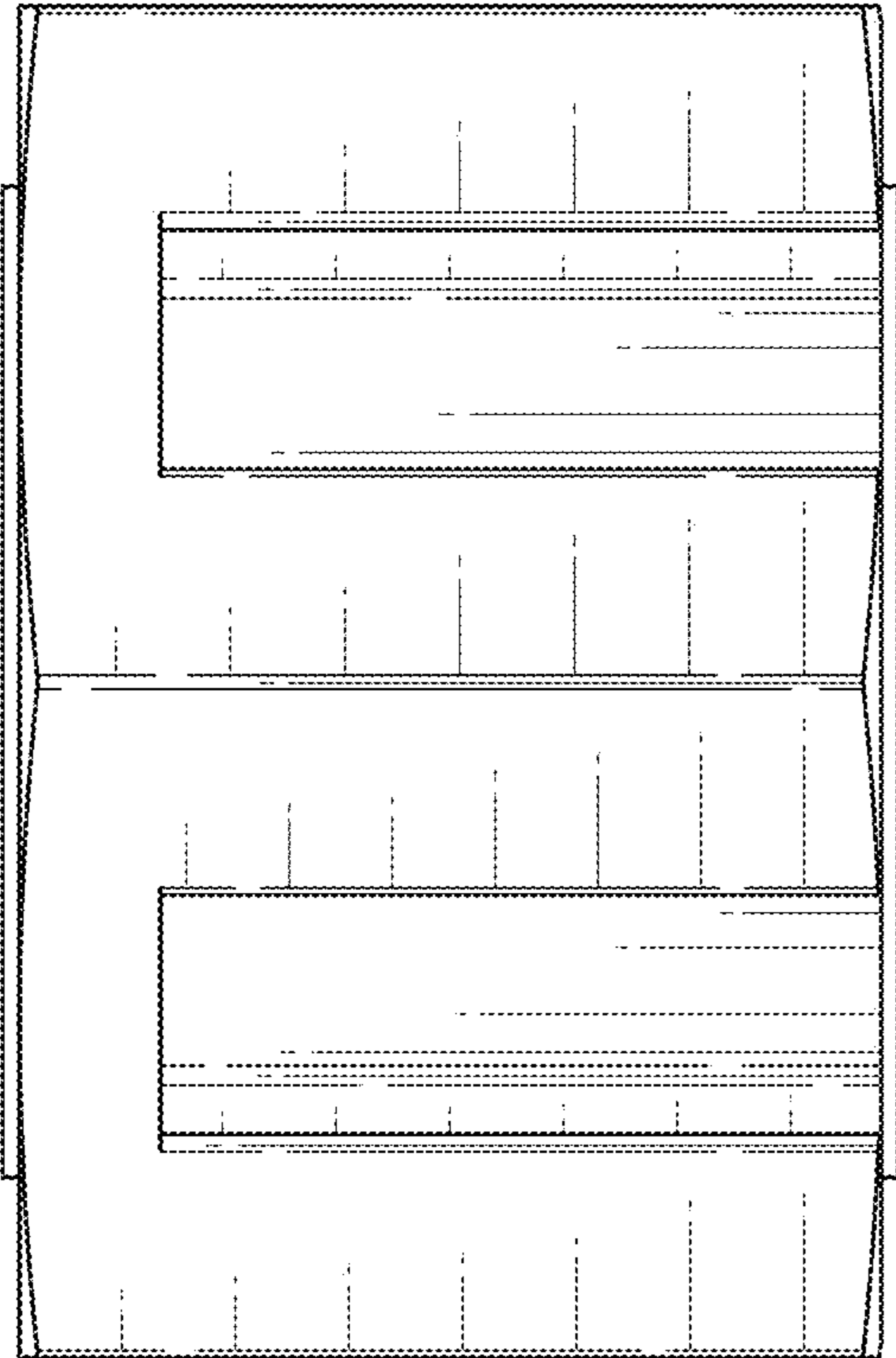


FIG. 5

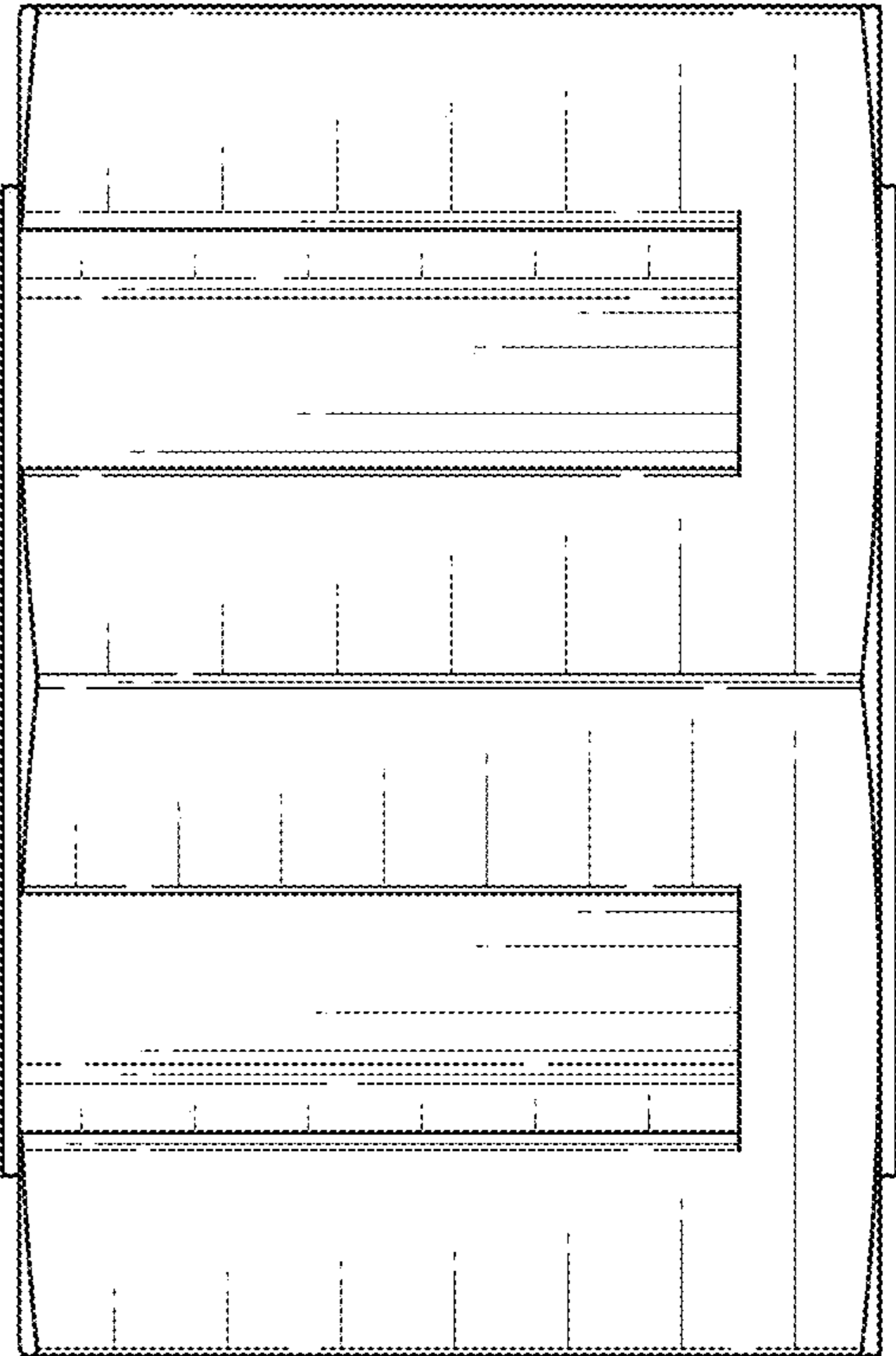


FIG. 6

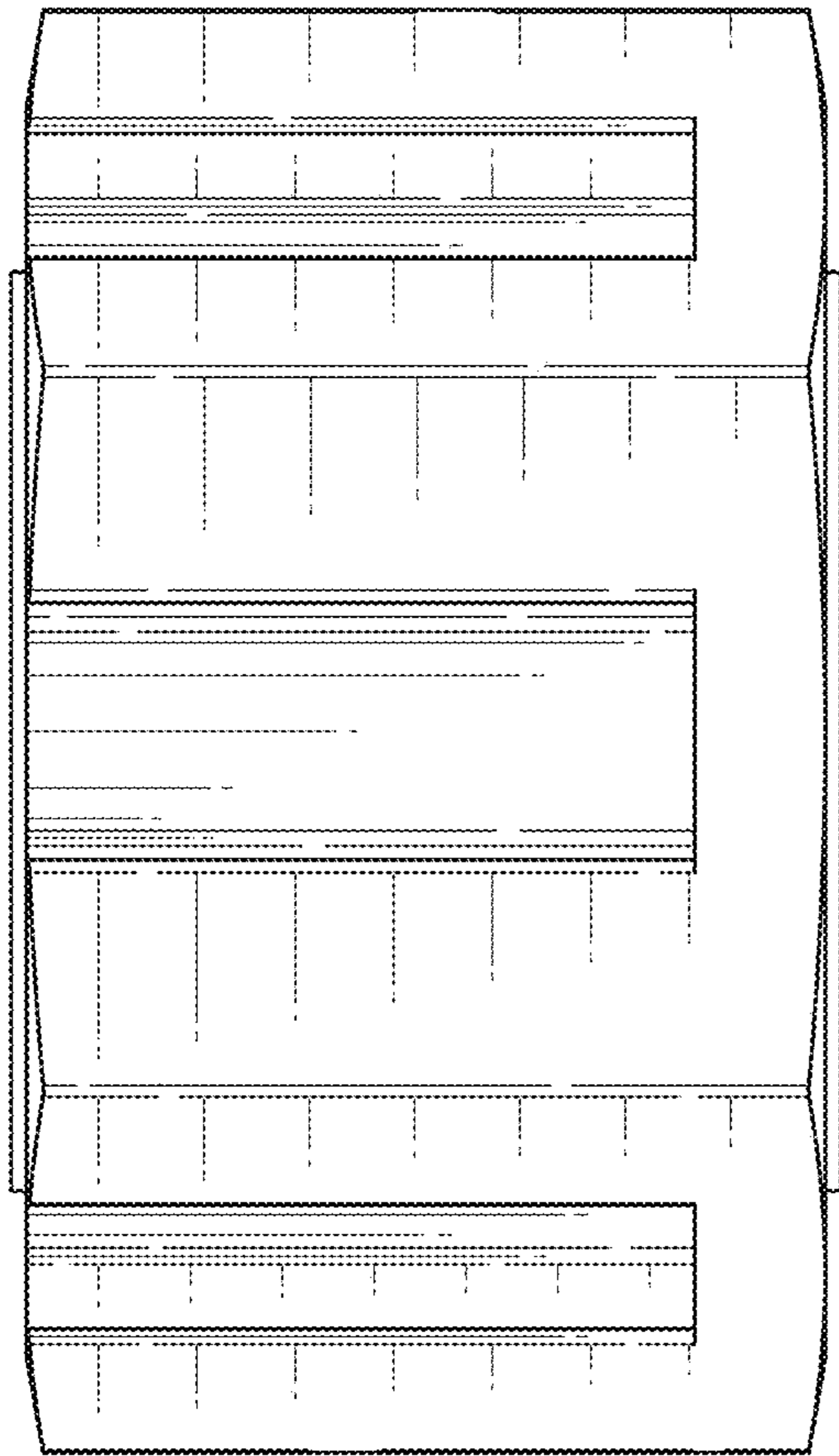


FIG. 7

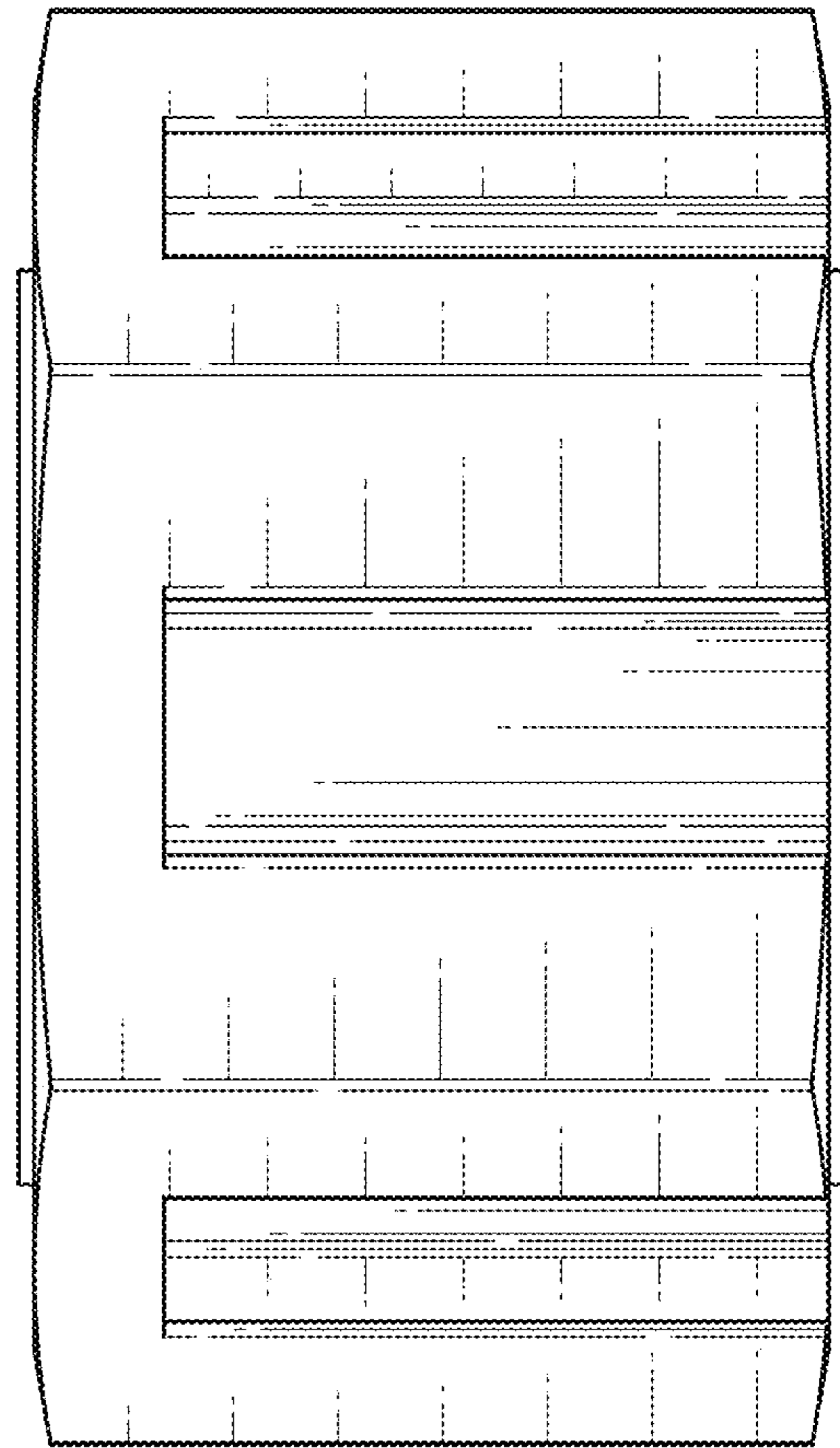


FIG. 8

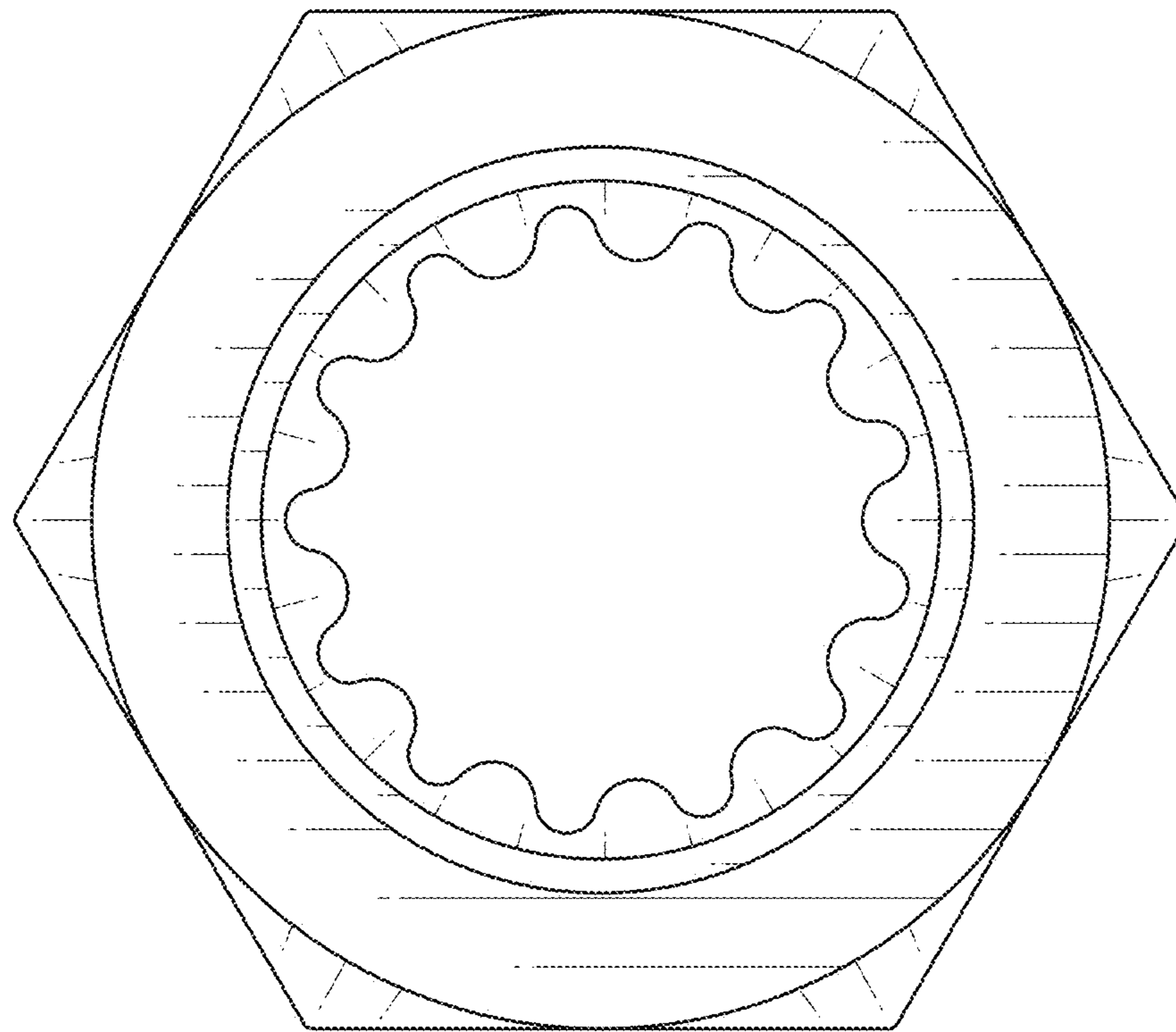


FIG. 9

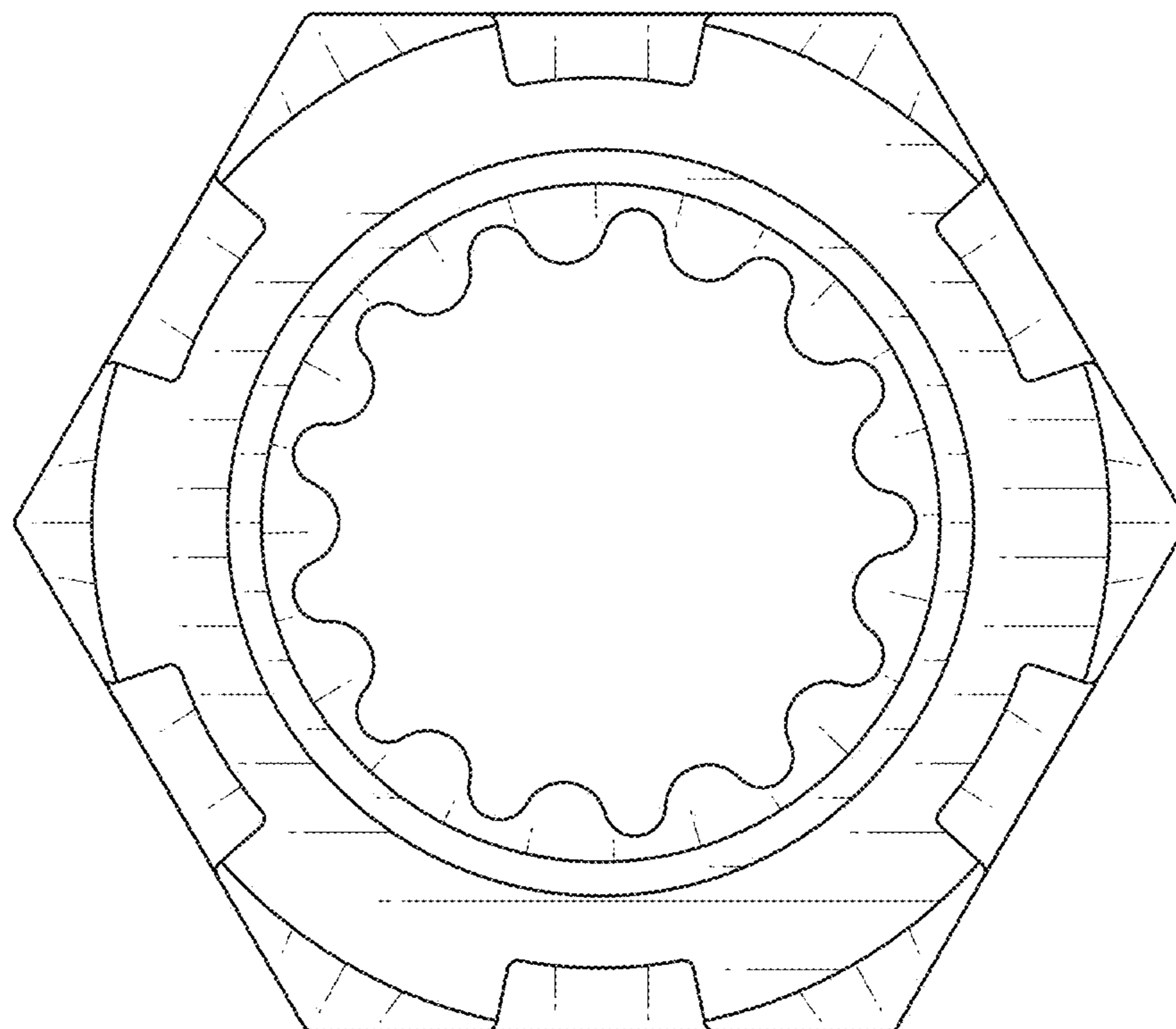


FIG. 10