



US0D1123714S

(12) **United States Design Patent**
Hix et al.

(10) **Patent No.:** **US D1,123,714 S**

(45) **Date of Patent:** **** Apr. 28, 2026**

(54) **MOTOR CLAMP FOR A MODEL VEHICLE**

(71) Applicant: **TRAXXAS, L.P.**, McKinney, TX (US)

(72) Inventors: **Caleb Hix**, McKinney, TX (US); **Adam Cole Ewing**, McKinney, TX (US); **Ross Martin**, Roanoke, TX (US)

(73) Assignee: **TRAXXAS, L.P.**, McKinney, TX (US)

(**) Term: **15 Years**

(21) Appl. No.: **29/925,157**

(22) Filed: **Jan. 23, 2024**

(51) **LOC (15) Cl.** **12-16**

(52) **U.S. Cl.**
USPC **D12/159**

(58) **Field of Classification Search**
USPC D12/51, 223; D21/533, 537, 431, 548,
D21/551, 554, 539, 552, 560, 561, 562,
D21/495
CPC .. B60R 1/074; B60R 2001/1253; B60R 1/072
See application file for complete search history.

(56) **References Cited**

U.S. PATENT DOCUMENTS

875,019	A *	12/1907	Wahlert	F16L 33/04
					24/284
3,477,106	A *	11/1969	Tetzlaff	F16L 33/02
					285/253
6,035,495	A *	3/2000	Andersen	F16L 33/04
					24/20 LS
D546,666	S *	7/2007	Mohlin	D8/396
2002/0038495	A1 *	4/2002	Anthes	F16L 33/04
					24/279
2009/0100647	A1 *	4/2009	Mohlin	F16L 33/04
					24/282
2022/0299054	A1 *	9/2022	Gallegos de la Peña	F16B 5/08

OTHER PUBLICATIONS

Traxxas Motor Mount, Posted Date Unknown [online], [Retrieved Jul. 7, 2025], Retrieved from internet <https://www.ebay.com/itm/114829057380> (Year: 2025).*

Billet Machined Motor Mount for Traxxas 1/10 Maxx 4S 8960 C31295Grey, as shown in www.integy.com, no date listed, date found Sep. 5, 2025 (Year: 2025).

Traxxas Maxx Motor Mounts, Part #TRA8960, as shown in www.hobbytown.com, Jan. 2, 2020 (Year: 2020).

Traxxas Maxx Aluminum Motor Mount (Grey), Part # TRA10261-Gray, as shown in www.hobbytown.com, Dec. 19, 2024 (Year: 2024).

* cited by examiner

Primary Examiner — Calvin E Vansant

Assistant Examiner — Michelle D Mccord

(74) *Attorney, Agent, or Firm* — Daryl R. Wright; Greg Carr

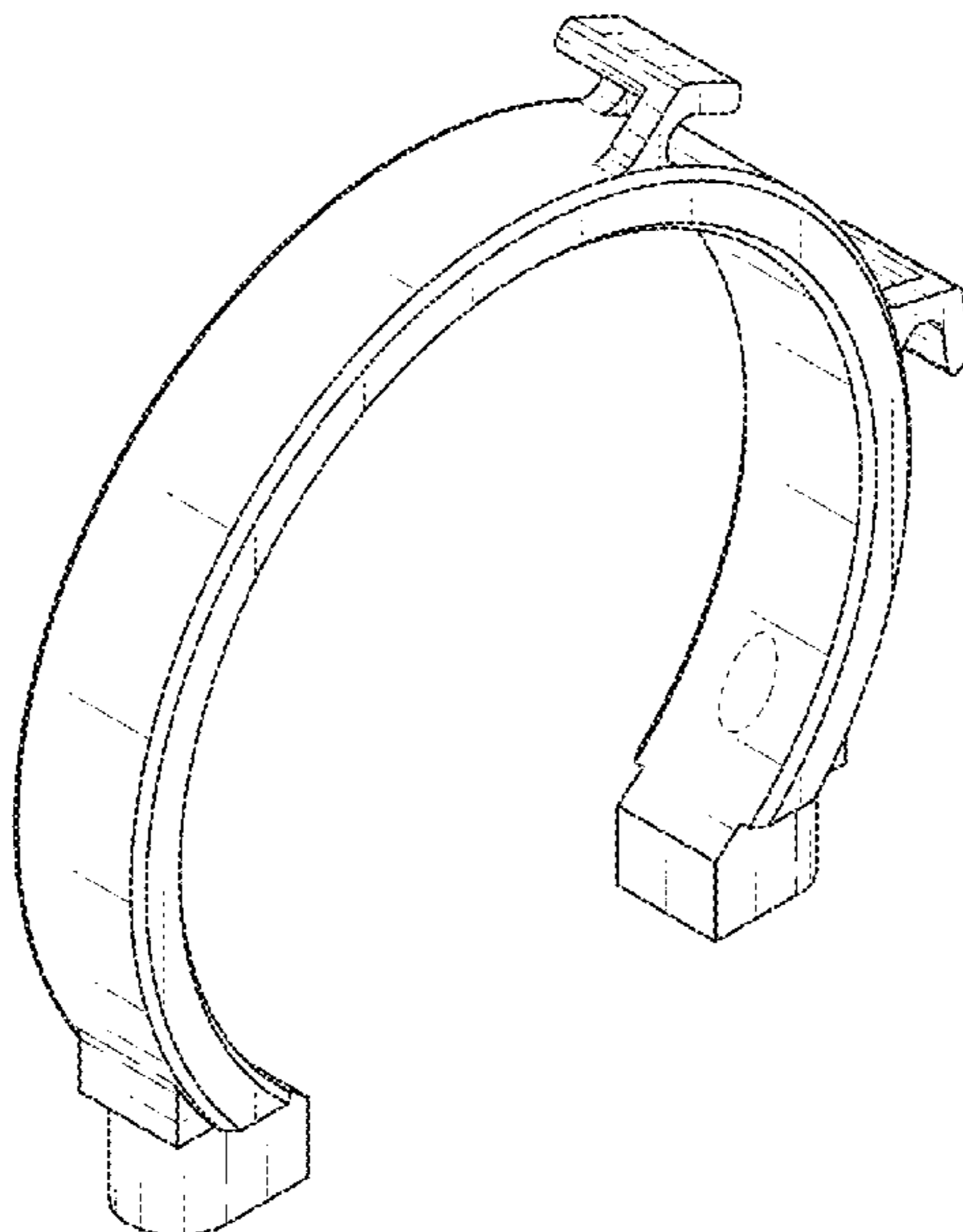
(57) **CLAIM**

The ornamental design for a motor clamp for a model vehicle as shown and described.

DESCRIPTION

FIG. 1 is a top, right, front perspective view of a motor clamp for a model vehicle showing our new design; FIG. 2 is a front elevation view thereof; FIG. 3 is a rear elevation view thereof; FIG. 4 is a right-side elevation view thereof; FIG. 5 is a left-side elevation view thereof; FIG. 6 is a top plan view thereof; FIG. 7 is a bottom plan view thereof; FIG. 8 is a bottom, right, front perspective view thereof; FIG. 9 is a top, left, rear perspective view thereof; and, FIG. 10 is a bottom, left, rear perspective view thereof. The broken lines illustrate portions of the motor clamp for a model vehicle which forms no part of the claimed design.

1 Claim, 7 Drawing Sheets



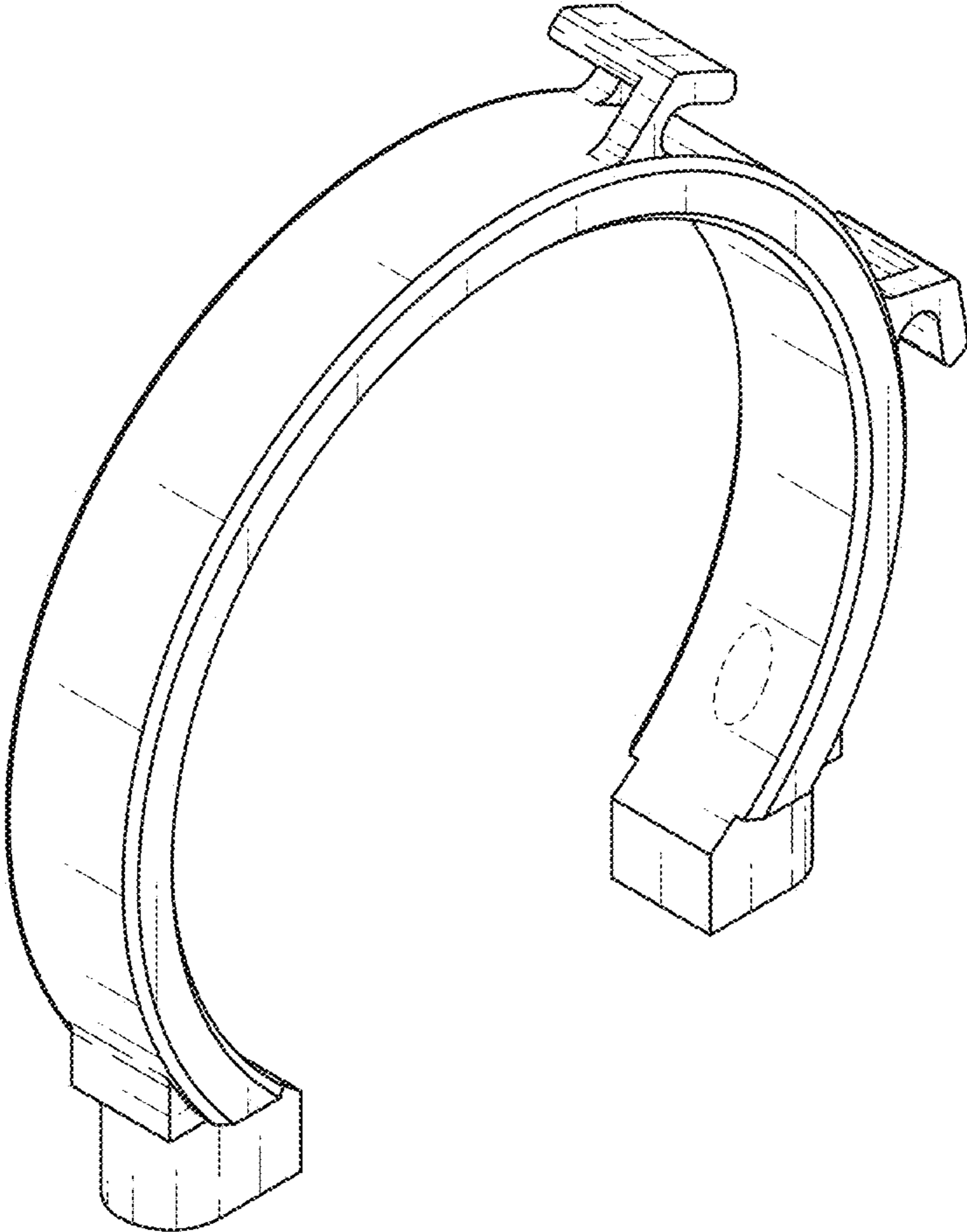


FIG. 1

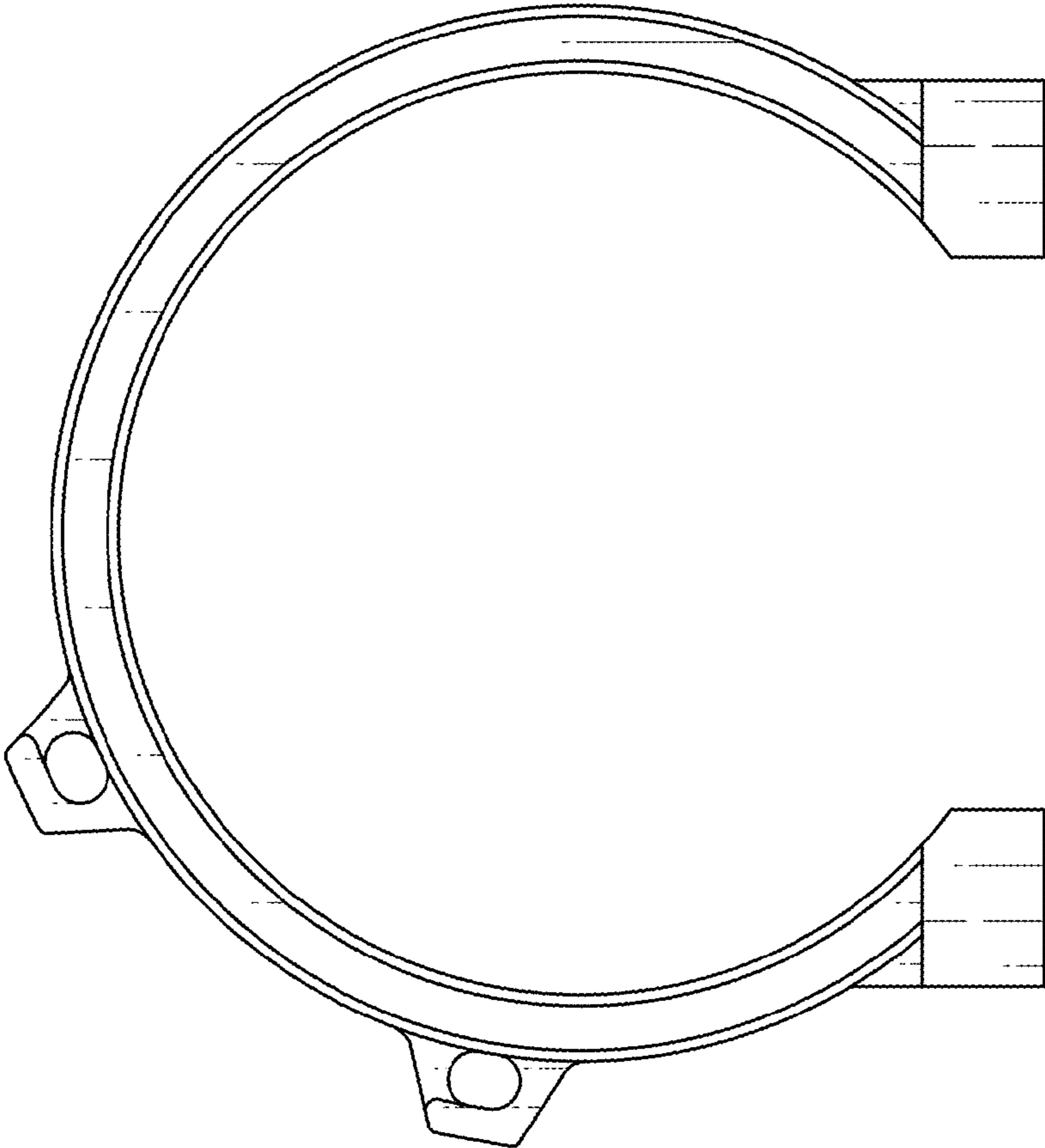


FIG. 3

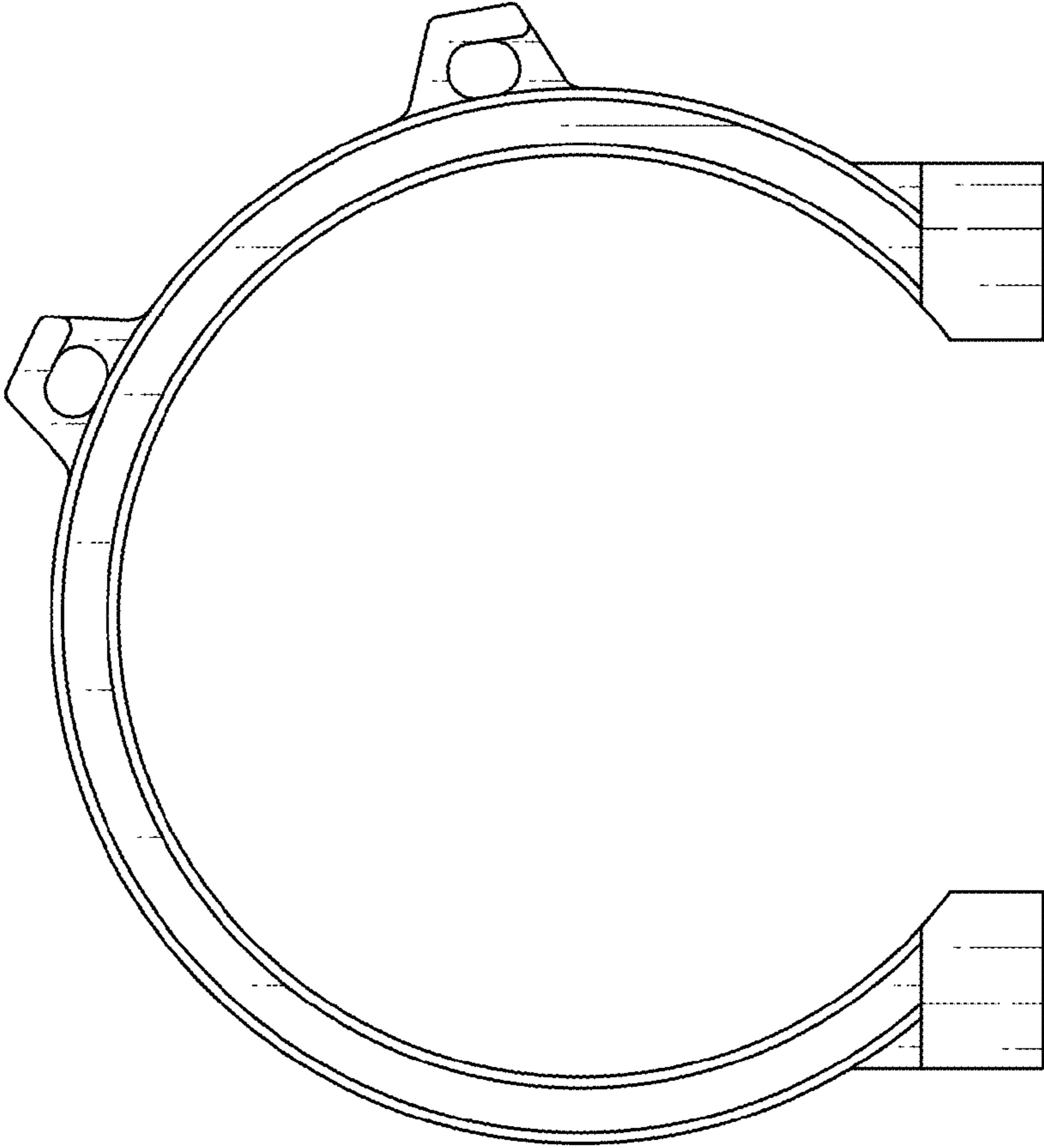


FIG. 2

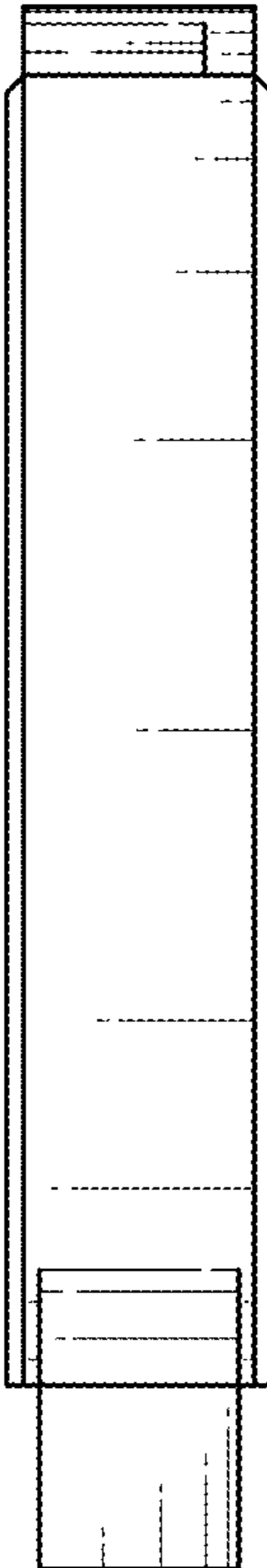


FIG. 4

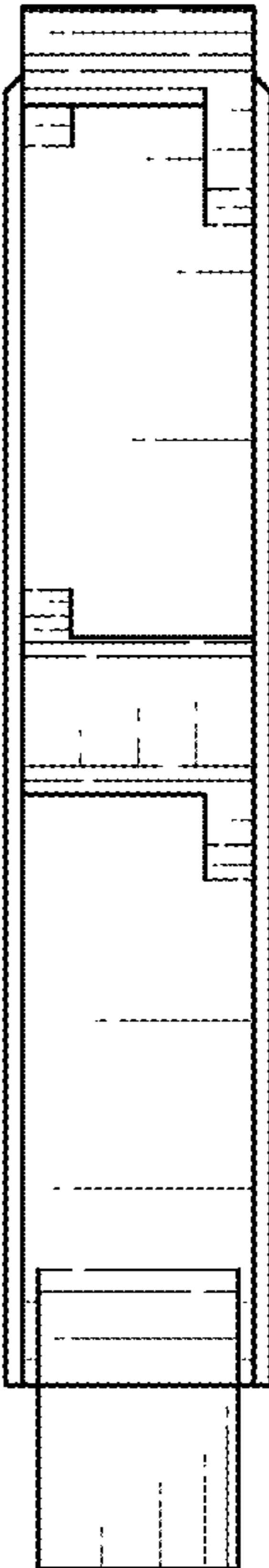


FIG. 5

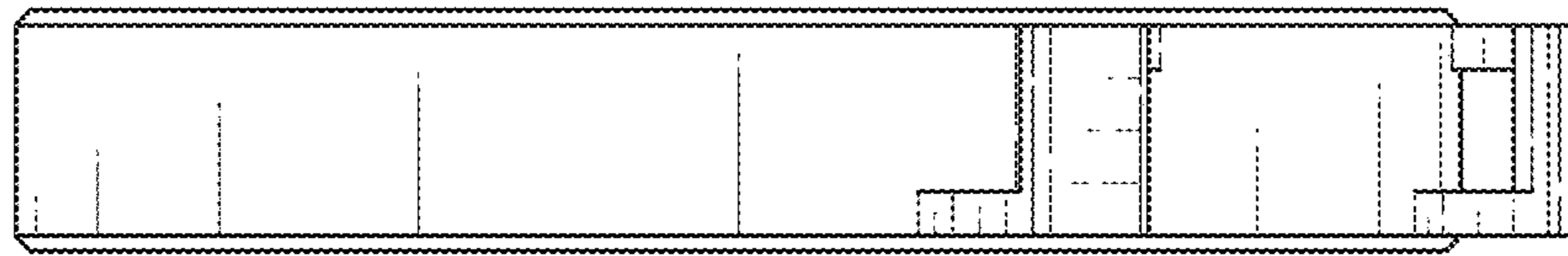


FIG. 6



FIG. 7

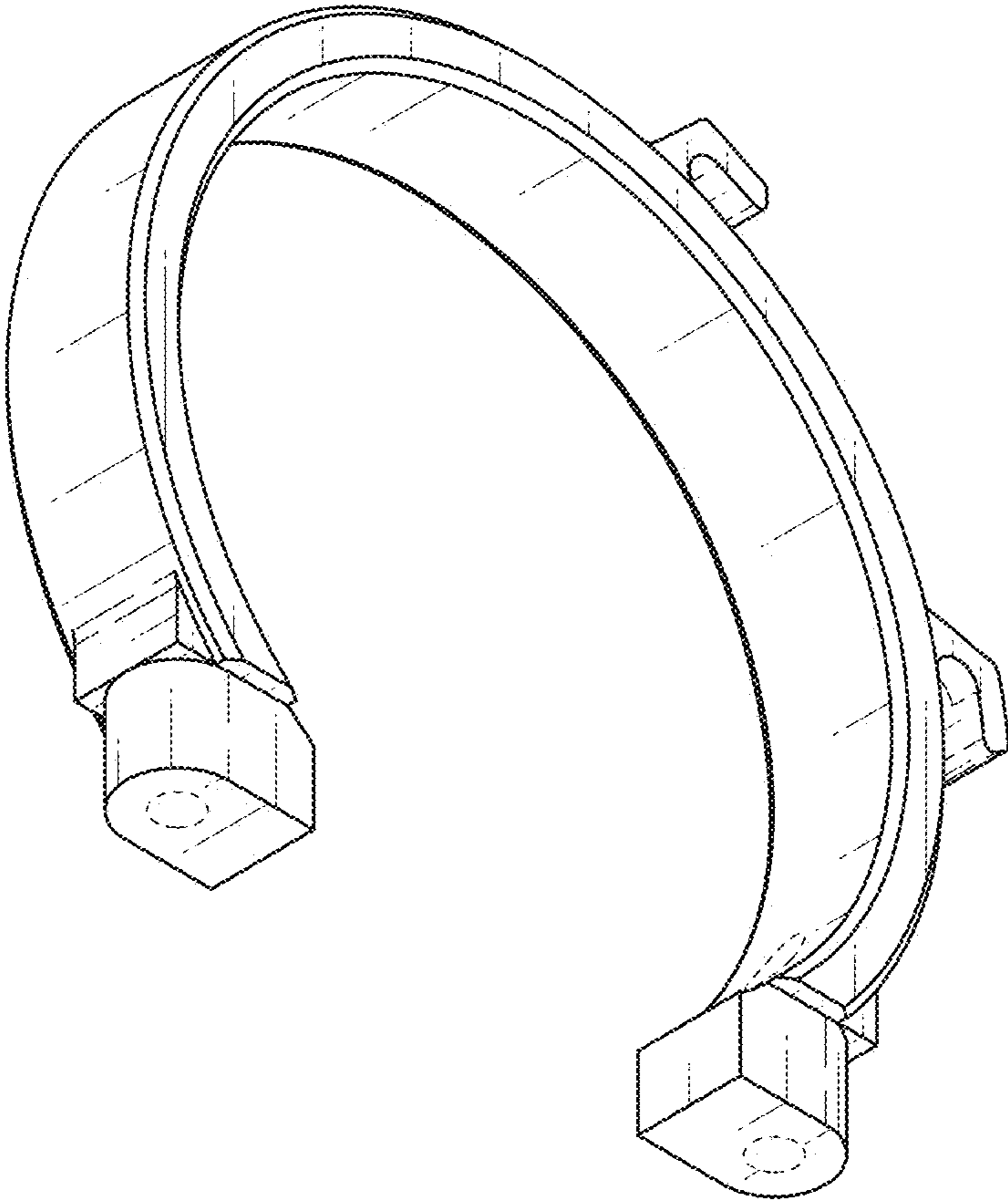


FIG. 8

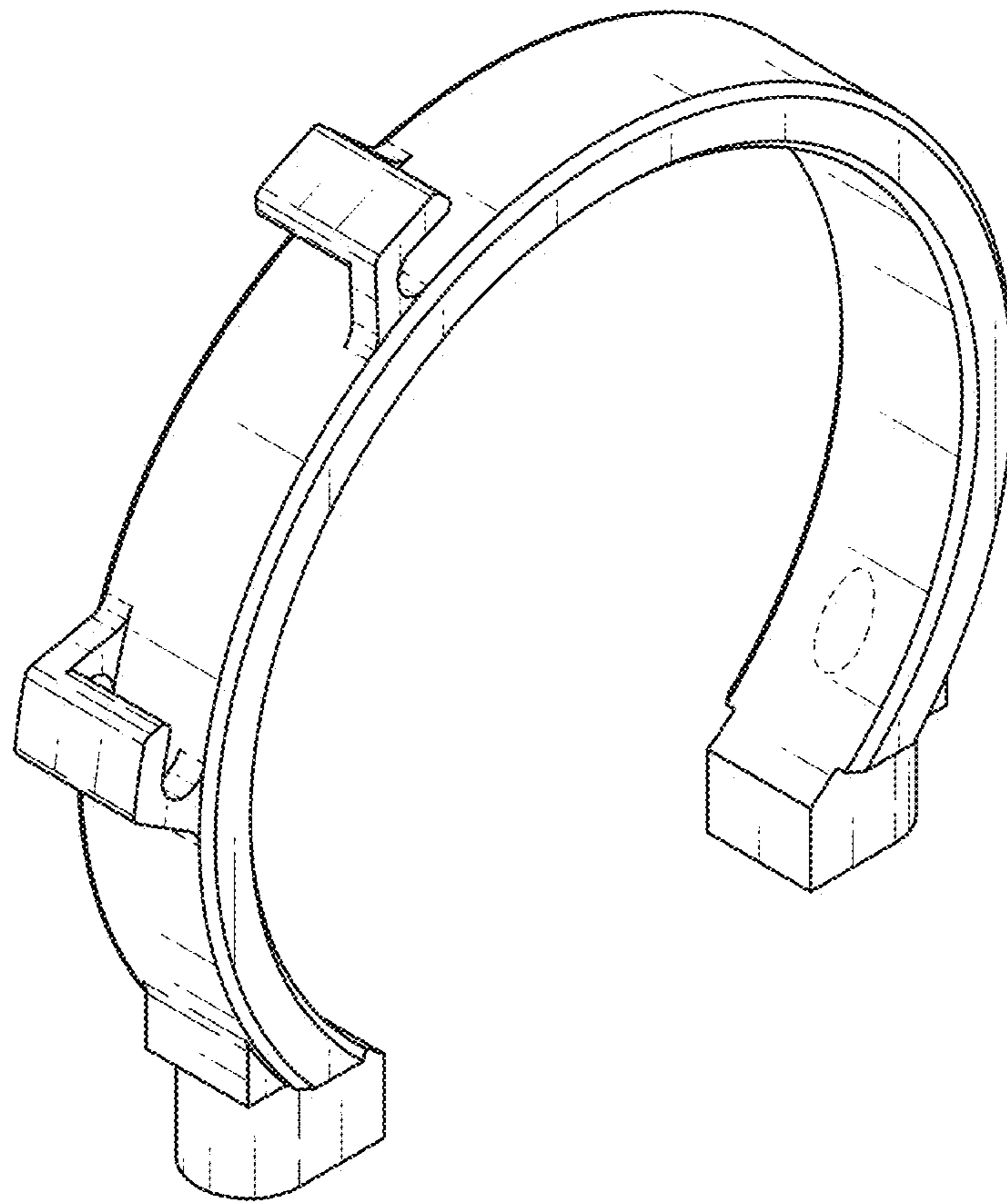


FIG. 9

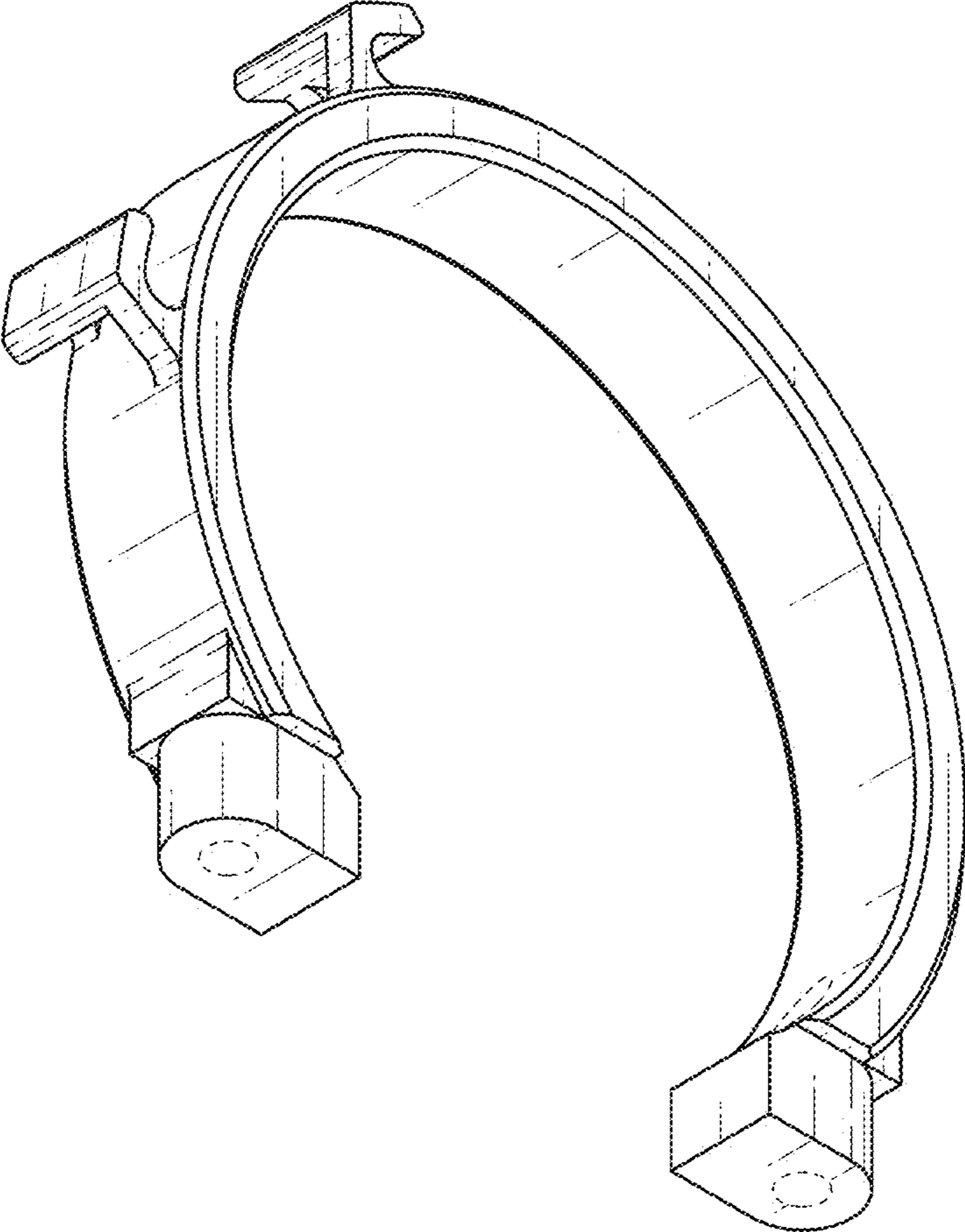


FIG. 10