



US0D1123608S

(12) **United States Design Patent**
Hernandez Blade et al.

(10) **Patent No.:** **US D1,123,608 S**

(45) **Date of Patent:** **** Apr. 28, 2026**

(54) **CORNER PROTECTOR**

(71) Applicant: **Smurfit Kappa North America LLC**,
Irving, TX (US)

(72) Inventors: **Juan Carlos Hernandez Blade**, San
Nicolas de los Garza (MX); **Lo Yat
Sing**, Guangzhou (CN); **Luis Roberto
Cantu Cantu**, General Escobedo (MX)

(73) Assignee: **Smurfit Kappa North America, LLC**,
Irving, TX (US)

(**) Term: **15 Years**

(21) Appl. No.: **29/987,071**

(22) Filed: **Jan. 21, 2025**

(51) **LOC (15) Cl.** **08-09**

(52) **U.S. Cl.**
USPC **D8/403**

(58) **Field of Classification Search**
USPC D8/354, 373, 374, 382, 402, 403, 400,
D8/499; D9/434

CPC B65D 81/057; B65D 2581/053; B65D
71/0096; B65D 81/055; B65D 5/50

See application file for complete search history.

(56) **References Cited**

U.S. PATENT DOCUMENTS

3,137,087 A * 6/1964 Shroyer B65D 81/056
217/53
3,762,626 A * 10/1973 Dorsey B65D 81/056
206/326

4,742,916 A * 5/1988 Galea B65D 81/054
217/53
4,838,427 A * 6/1989 Hurley B29C 61/02
206/326
5,678,692 A * 10/1997 Gratz B65D 81/058
206/592
D653,104 S * 1/2012 Heyting D8/403
D777,436 S * 1/2017 Kinskey D3/318
D1,001,504 S * 10/2023 Liu D3/905
12,325,573 B1 * 6/2025 Yuan B65D 81/056
2003/0038054 A1 * 2/2003 Hurley B65D 81/056
206/453

* cited by examiner

Primary Examiner — Barbara Fox

Assistant Examiner — Harold E Blackwell, II

(74) *Attorney, Agent, or Firm* — Neil G. Cohen; Rohini
K. Garg

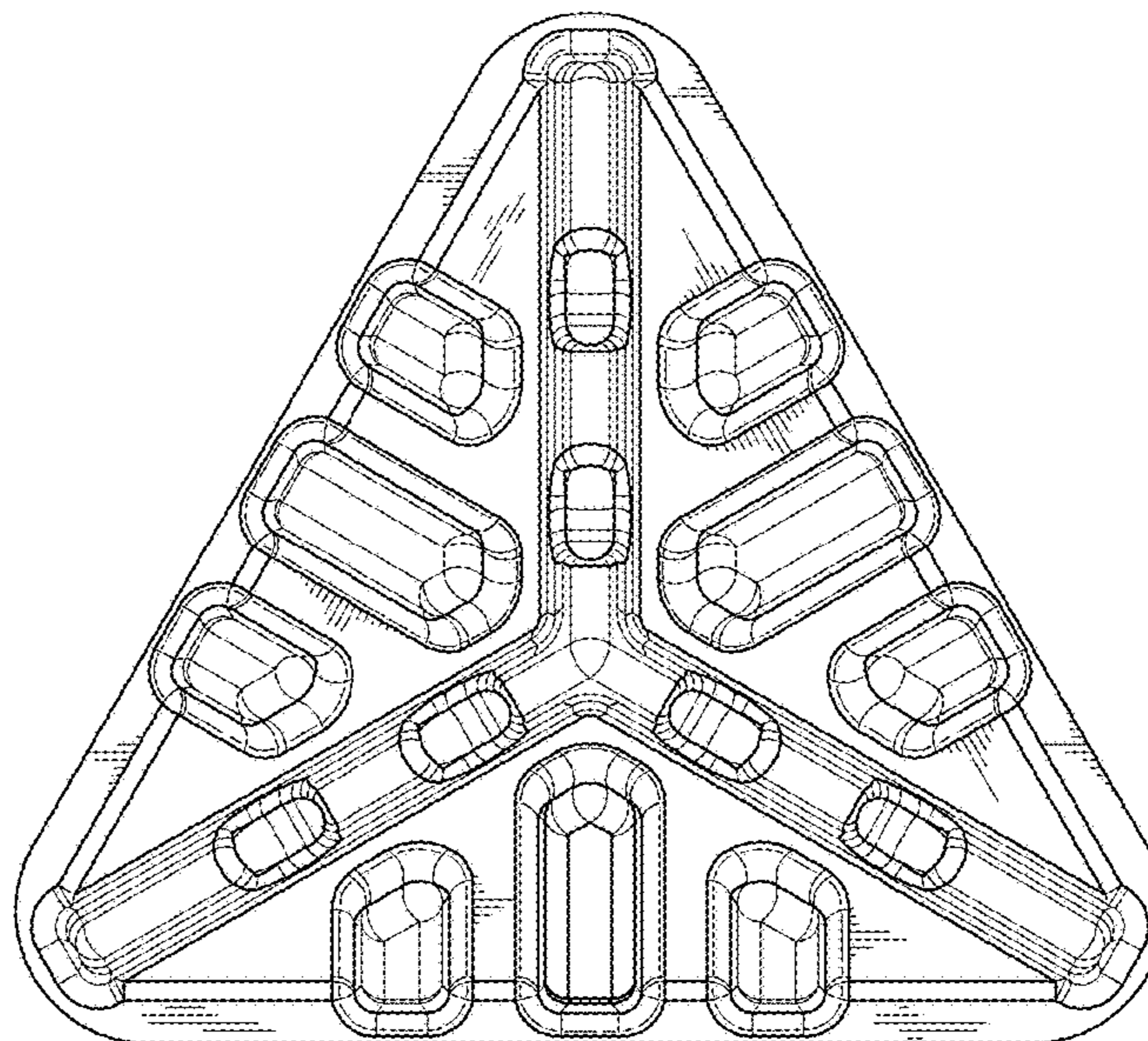
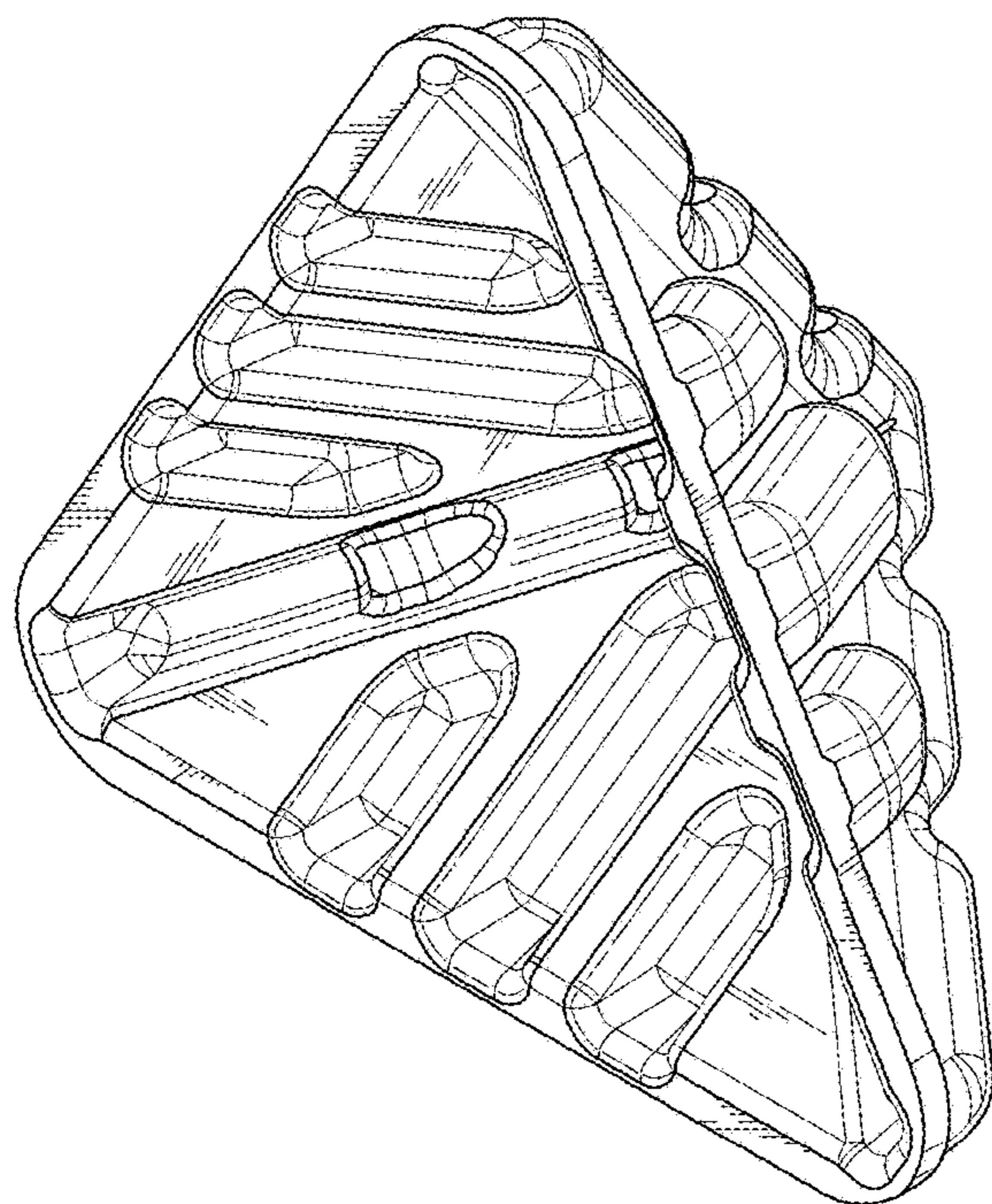
(57) **CLAIM**

The ornamental design for a corner protector, as shown and
described.

DESCRIPTION

FIG. 1 is a bottom perspective view of the corner protector;
FIG. 2 is a front elevation view of the corner protector;
FIG. 3 is rear elevation view of the corner protector;
FIG. 4 is a right side view of the corner protector;
FIG. 5 is a left side view of the corner protector;
FIG. 6 is a top plan view of the corner protector; and,
FIG. 7 is a bottom plan view of the corner protector.

1 Claim, 5 Drawing Sheets



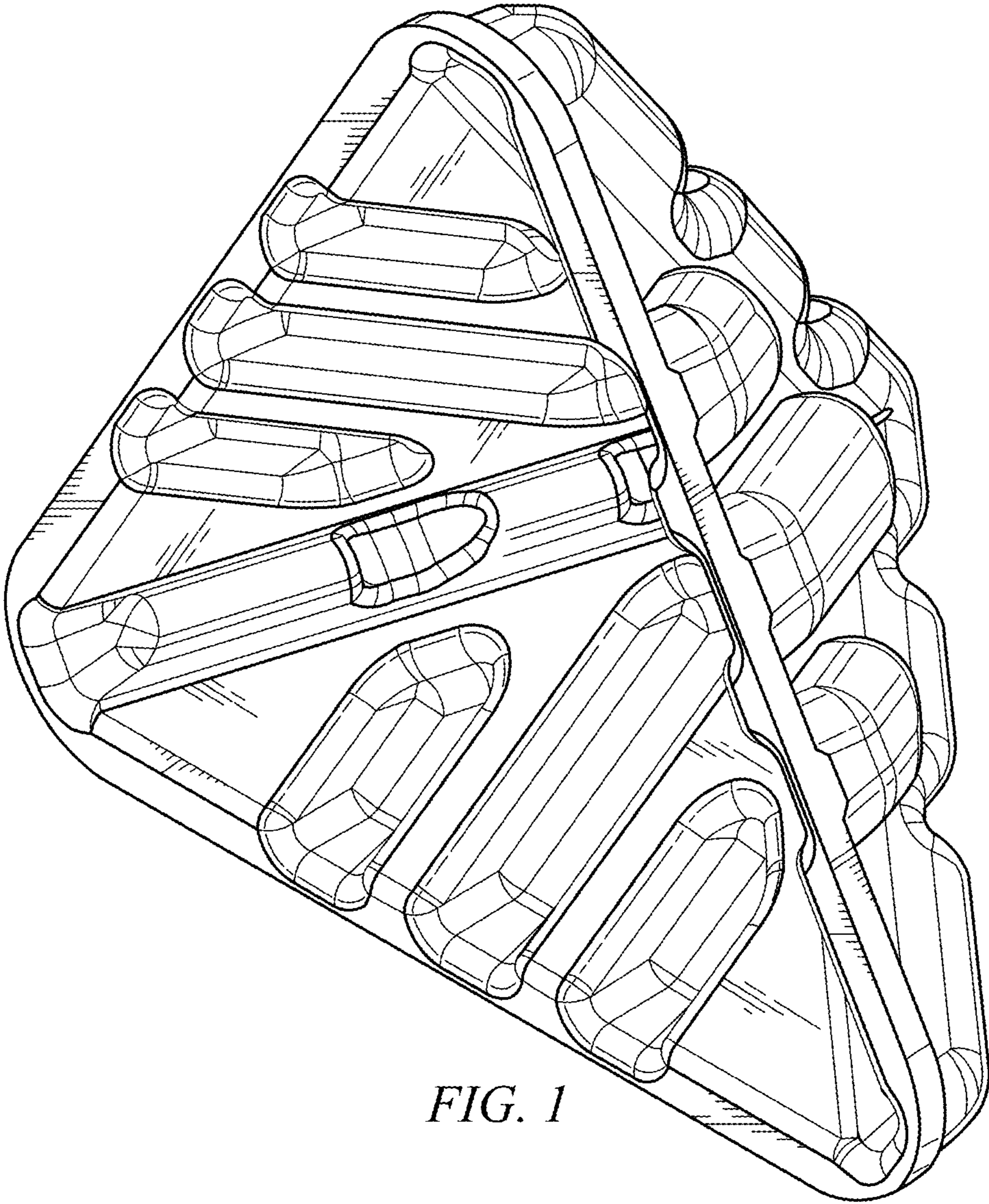


FIG. 1

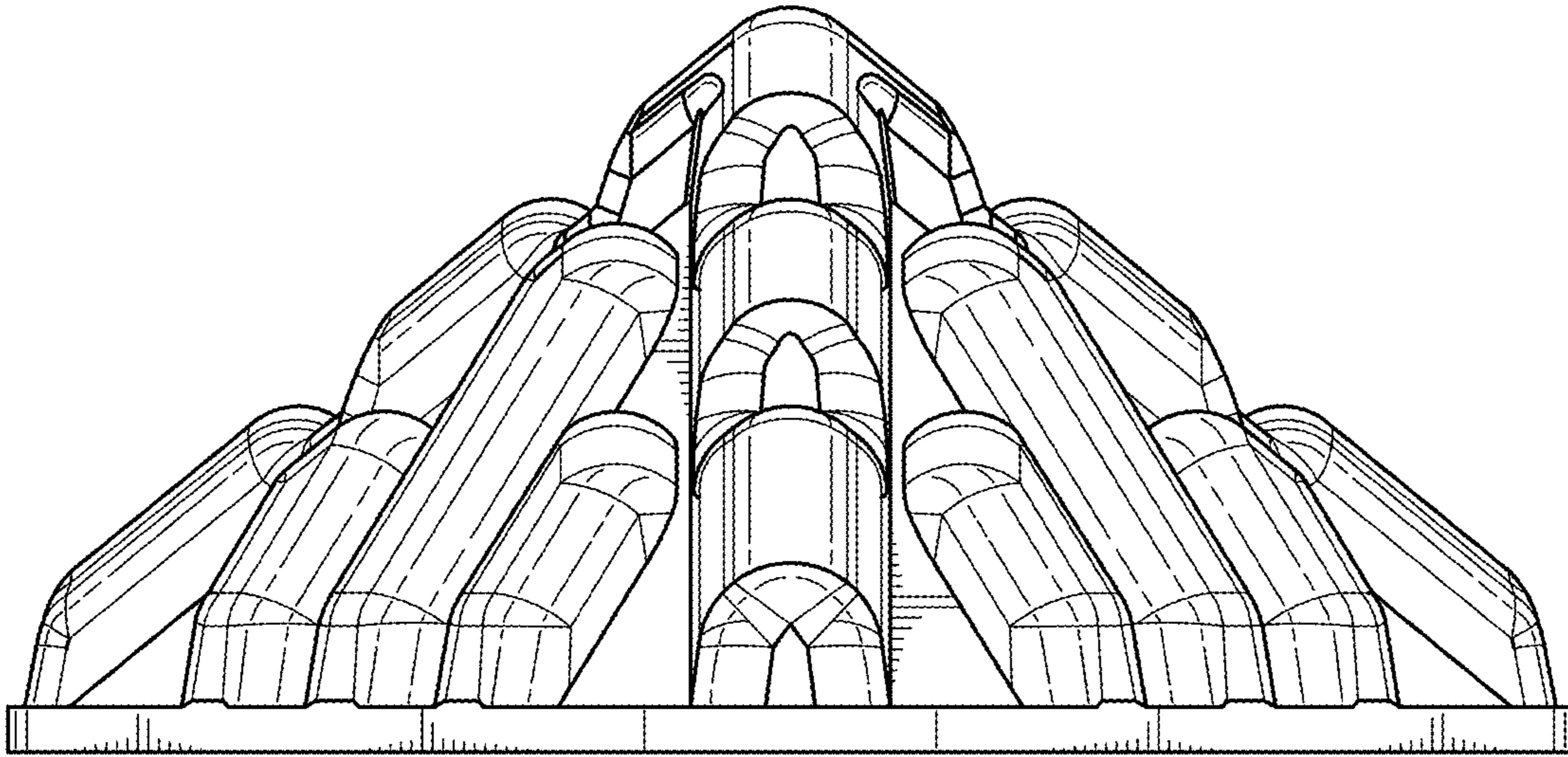


FIG. 2

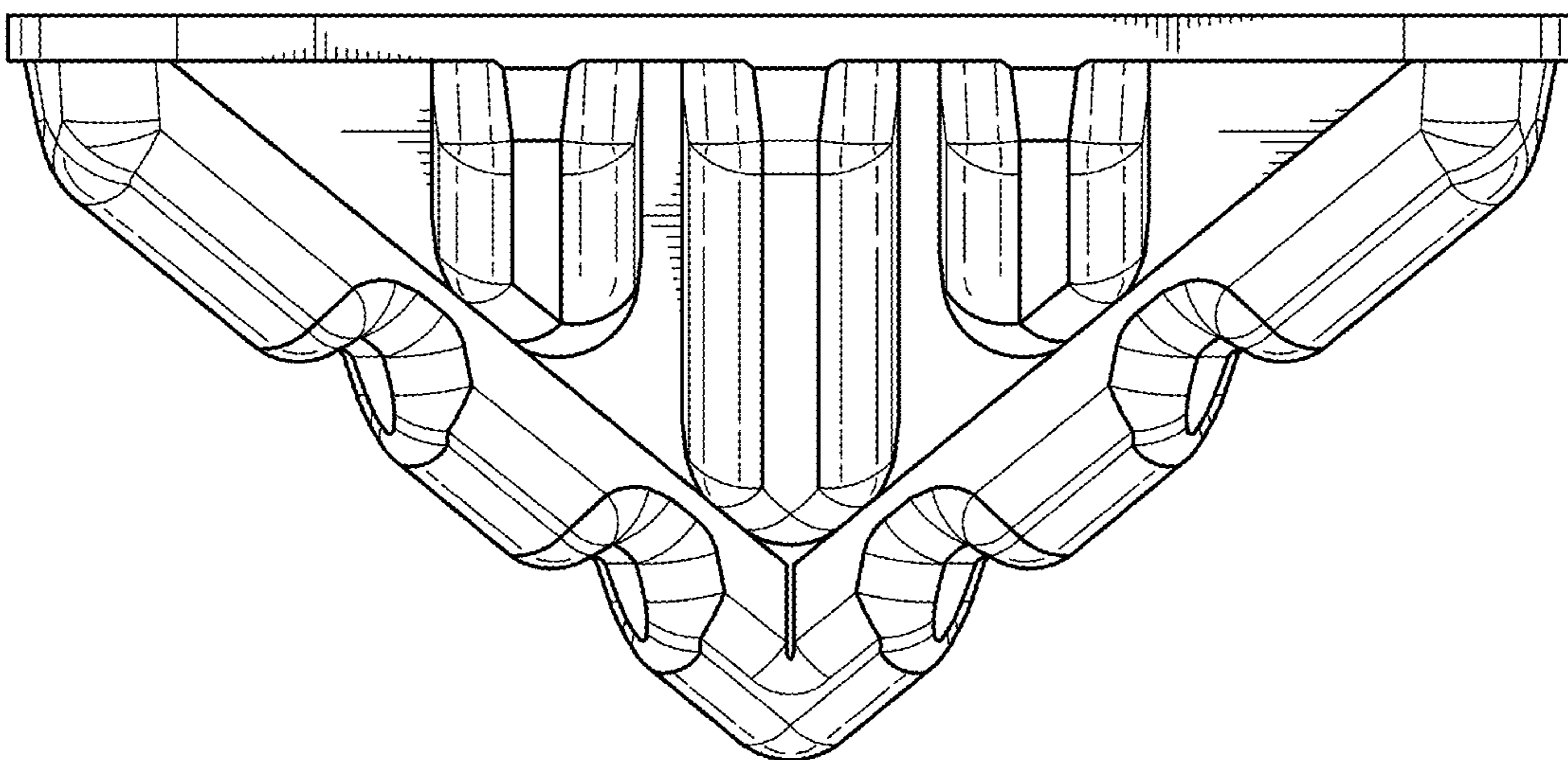
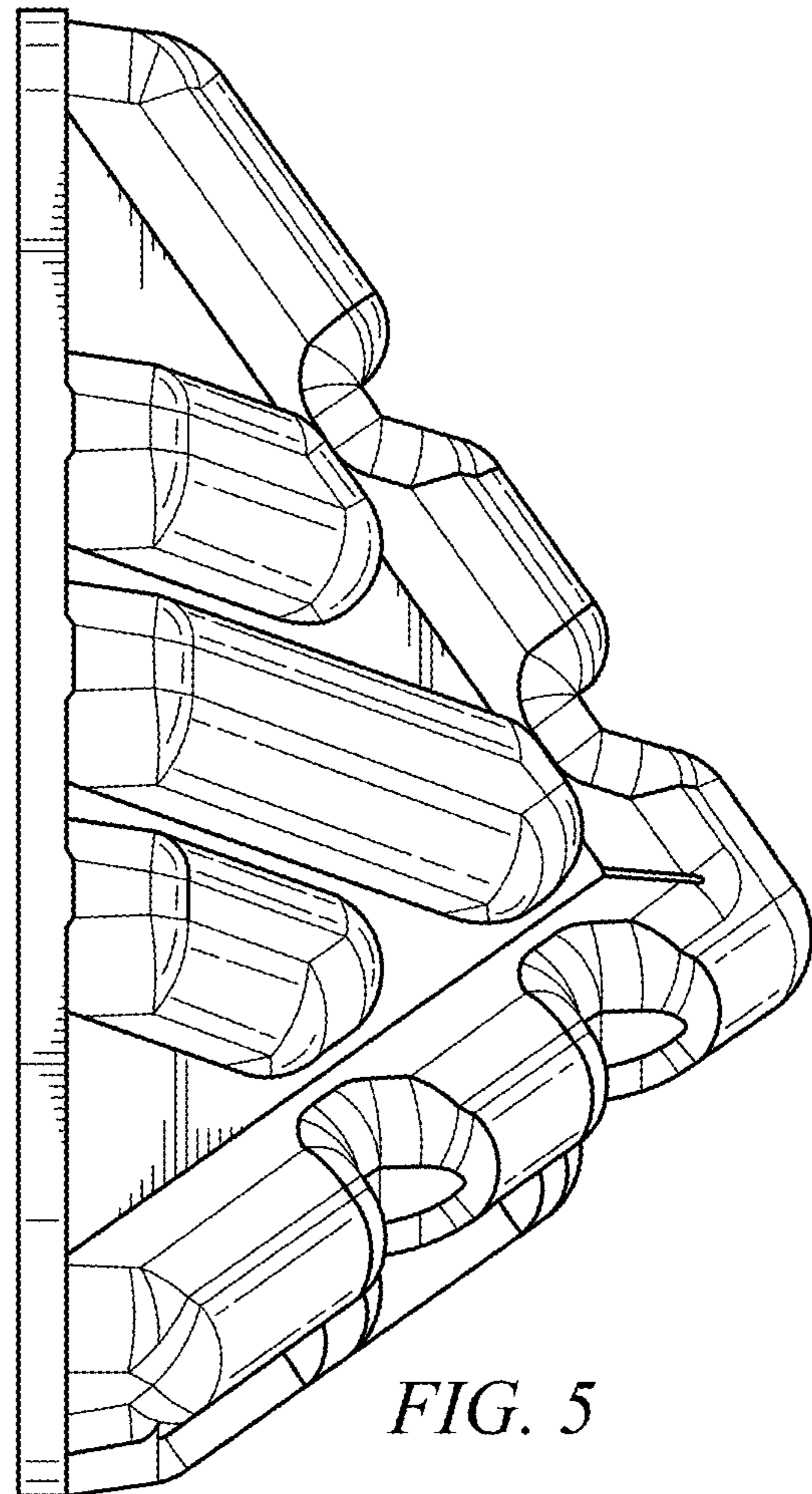
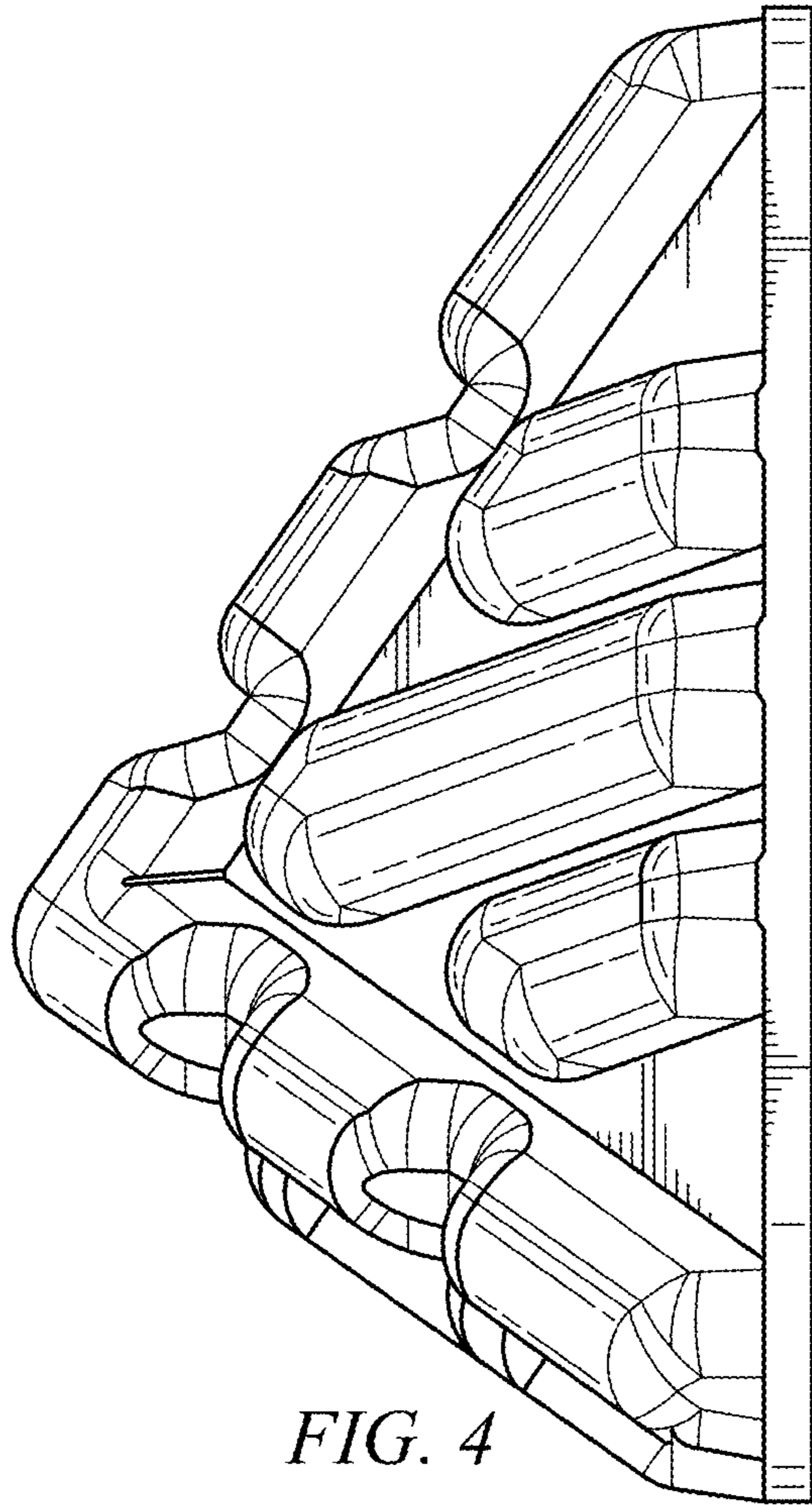


FIG. 3



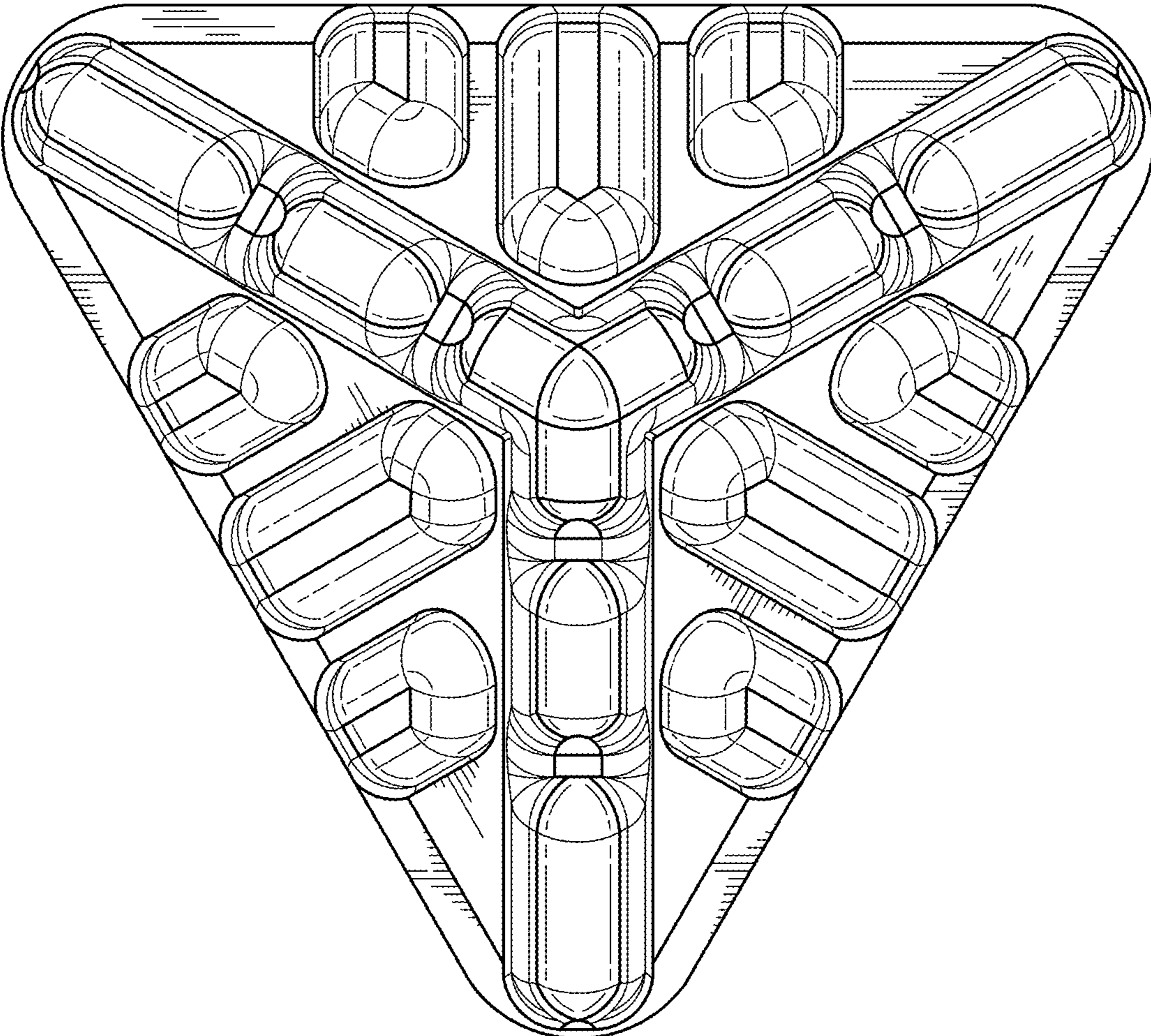


FIG. 6

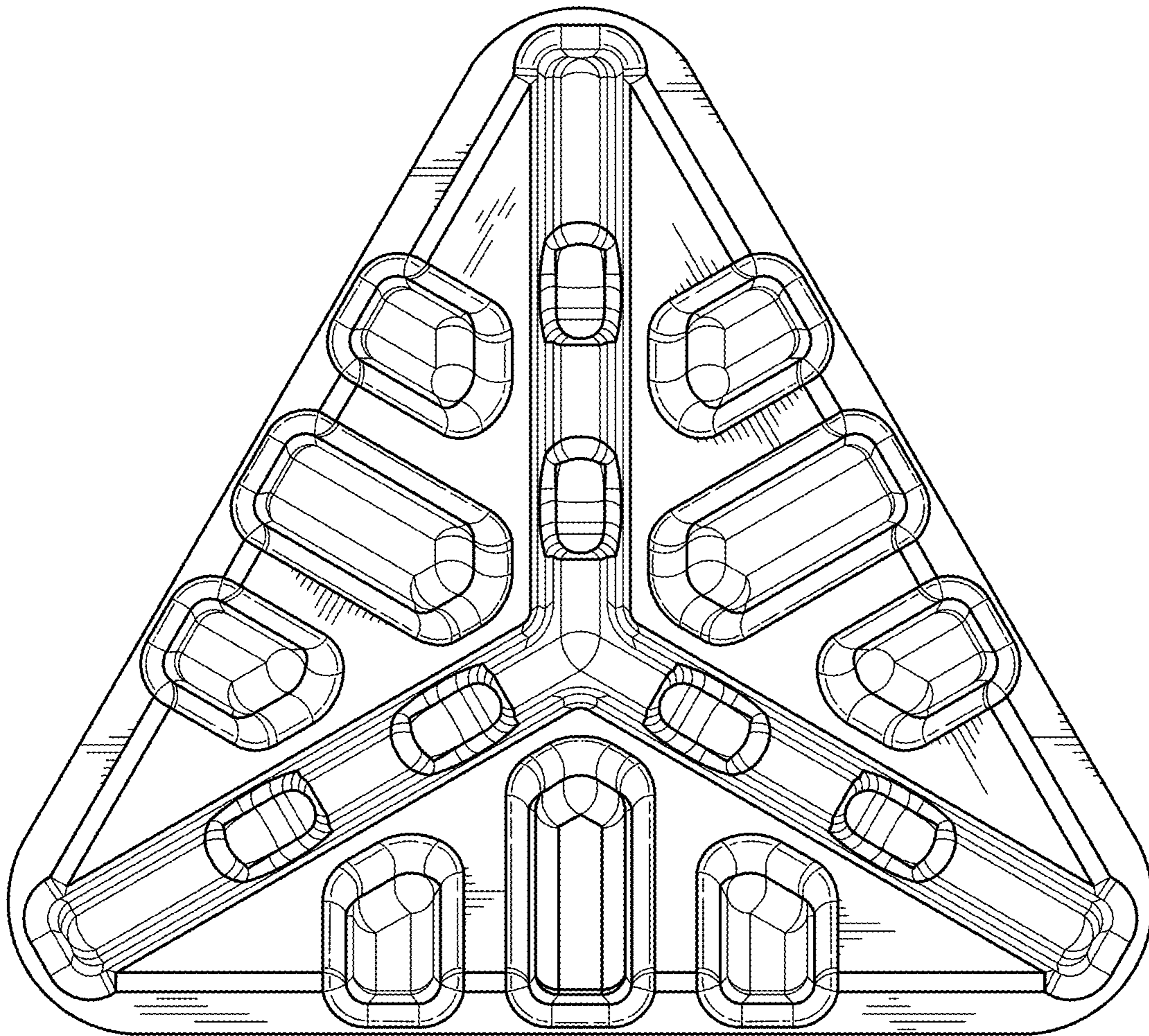


FIG. 7