



US0D1123580S

(12) **United States Design Patent**  
**Dickson et al.**

(10) **Patent No.:** **US D1,123,580 S**  
(45) **Date of Patent:** **\*\* Apr. 28, 2026**

- (54) **ELECTRICAL DEVICE MOUNT**
- (71) Applicant: **Rigid Concepts, LLC**, Van Alstyne, TX (US)
- (72) Inventors: **Johnny Dickson**, Van Alstyne, TX (US); **Catherine Dickson**, Van Alstyne, TX (US)
- (73) Assignee: **Rigid Concepts, LLC**, Van Alstyne, TX (US)
- (\*\*) Term: **15 Years**
- (21) Appl. No.: **29/946,147**
- (22) Filed: **Jun. 6, 2024**
- (51) **LOC (15) Cl.** ..... **11-05**
- (52) **U.S. Cl.**  
USPC ..... **D8/353**
- (58) **Field of Classification Search**  
USPC ..... D8/349, 354, 382, 373, 380, 384, 385, D8/353; D14/434  
CPC ..... F16M 13/02; F24S 25/60; F16B 2/241; H02G 3/12; G06F 1/1632  
See application file for complete search history.

(56) **References Cited**

U.S. PATENT DOCUMENTS

D229,384 S *	11/1973	Groce et al.	.....	D8/382
D437,772 S *	2/2001	Erwin	.....	D8/354
D650,784 S *	12/2011	Feldstein	.....	D14/434
D720,358 S *	12/2014	Ginsterblum	.....	D14/447
D782,281 S *	3/2017	Kuo	.....	D8/349
D810,463 S *	2/2018	Kuo	.....	D8/349
D879,501 S *	3/2020	Illouz	.....	D6/553
D880,189 S *	4/2020	Illouz	.....	D6/553
D902,694 S *	11/2020	Freeman	.....	D8/349
D947,003 S *	3/2022	Johnson	.....	D26/26

D1,090,544 S *	8/2025	Jhun	.....	D14/434
D1,104,711 S *	12/2025	Harper	.....	D8/349
2011/0056743 A1 *	3/2011	Solan	.....	H02G 1/00 174/502

\* cited by examiner

*Primary Examiner* — Sheryl Lane

(74) *Attorney, Agent, or Firm* — Ryan D. Jenlink; Conley Rose, P.C.

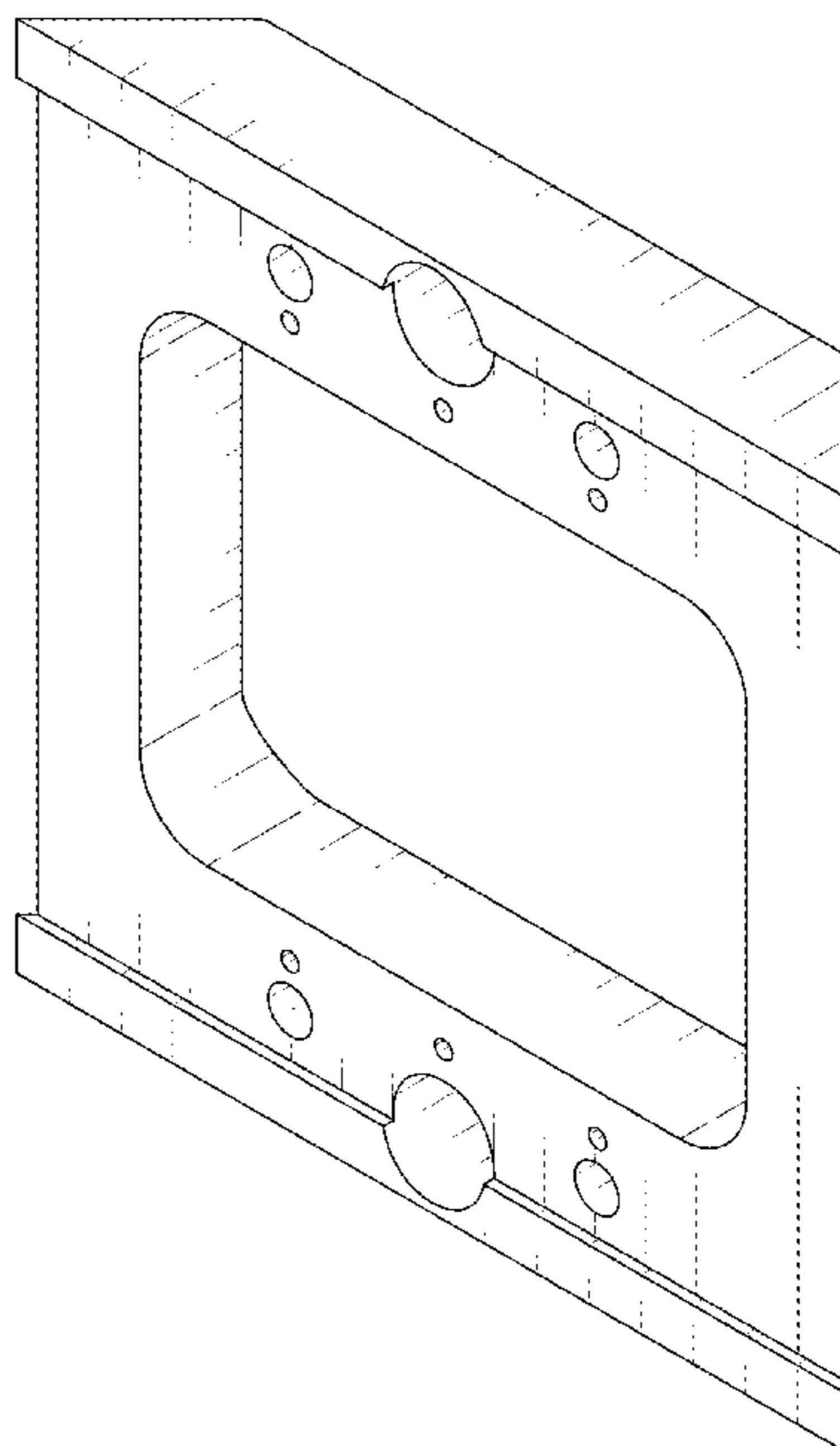
(57) **CLAIM**

The ornamental design for an electrical device mount, as shown and described.

**DESCRIPTION**

FIG. 1 is a first perspective view of an electrical device mount;  
 FIG. 2 is a front view of the electrical device mount;  
 FIG. 3 is a back view of the electrical device mount;  
 FIG. 4 is a first side view of the electrical device mount;  
 FIG. 5 is a second side view of the electrical device mount;  
 FIG. 6 is a top view of the electrical device mount;  
 FIG. 7 is a bottom view of the electrical device mount;  
 FIG. 8 is a second perspective view of the electrical device mount;  
 FIG. 9 is a third perspective view of the electrical device mount;  
 FIG. 10 is a fourth perspective view of the electrical device mount;  
 FIG. 11 is a fifth perspective view showing the electrical device mount disposed in an environment;  
 FIG. 12 is an exploded, perspective view showing the electrical device mount in the environment; and,  
 FIG. 13 is a cross-sectional view of the electrical device indicated in FIG. 2.  
 The broken lines shown in FIGS. 11-12 indicate environment only and form no part of the claimed design.

**1 Claim, 9 Drawing Sheets**



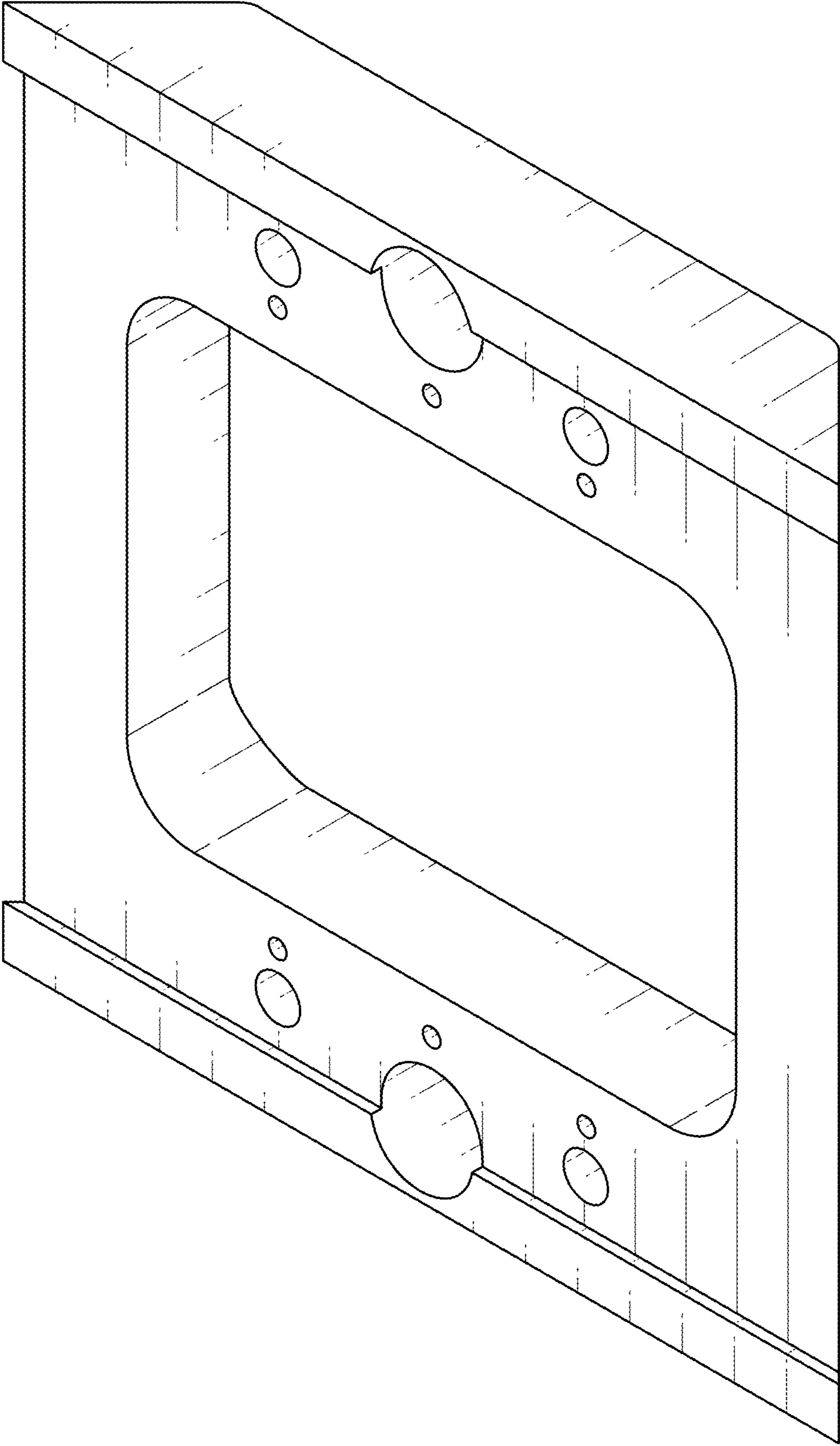


FIG. 1

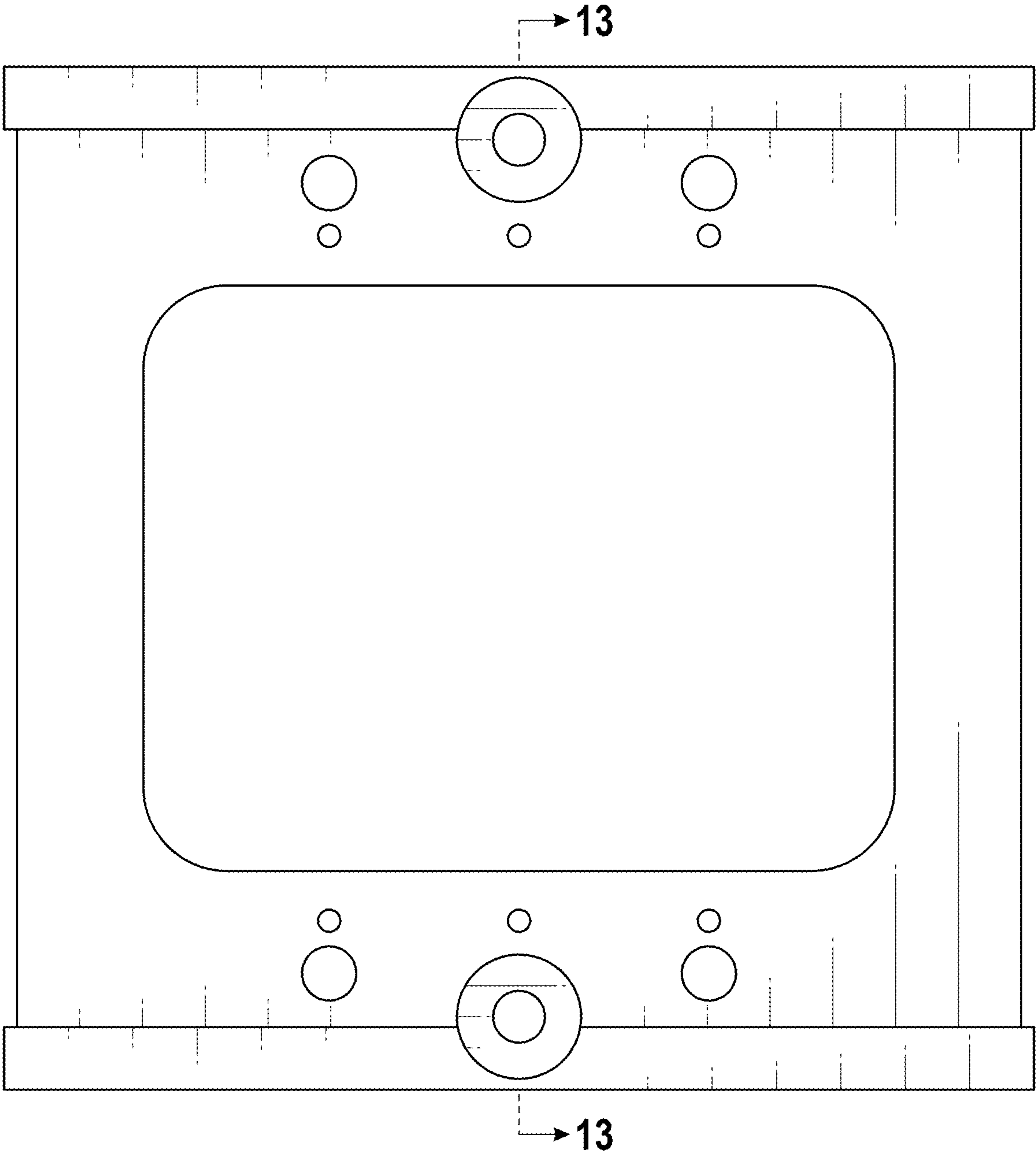


FIG. 2

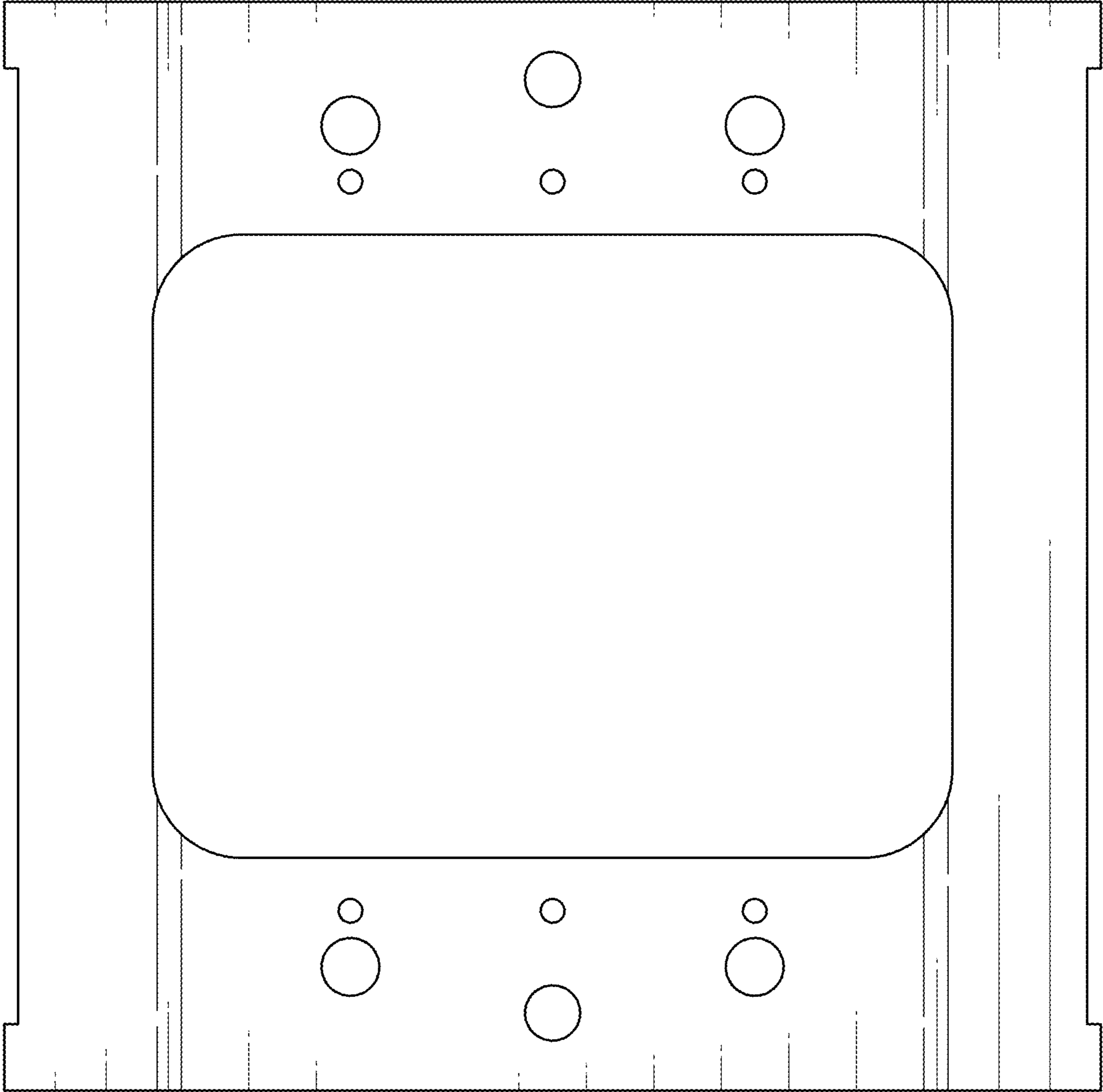


FIG. 3

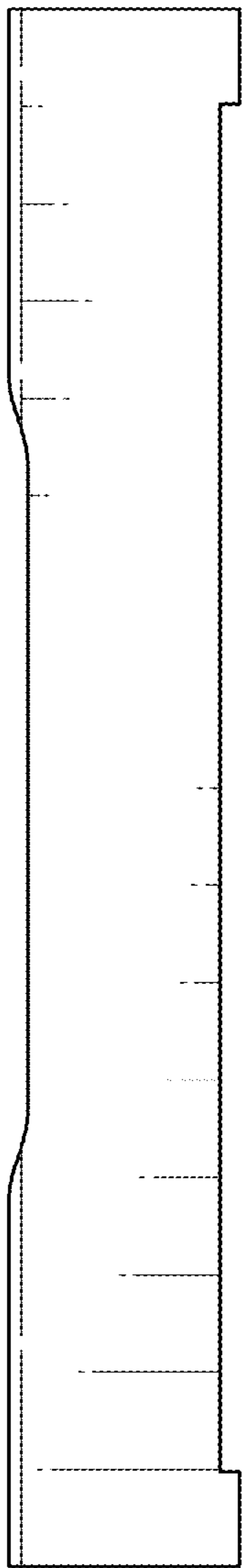


FIG. 4

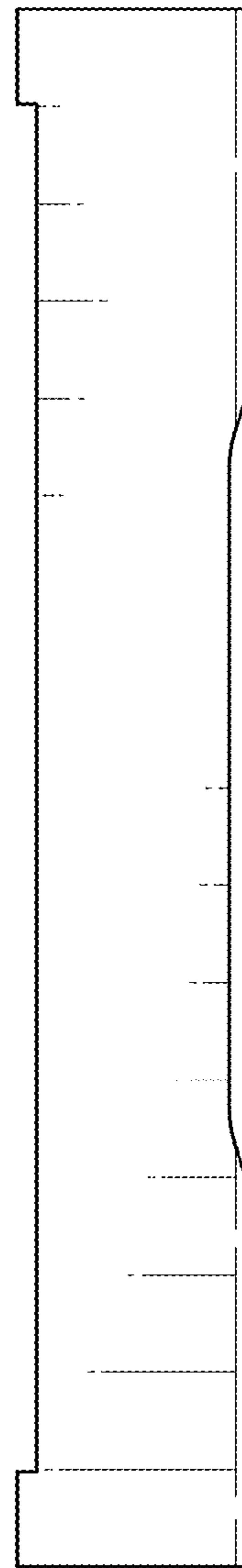


FIG. 5

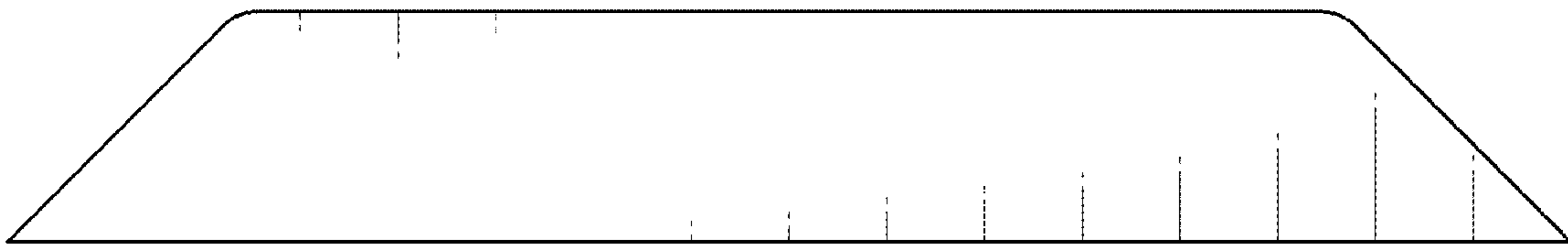


FIG. 6

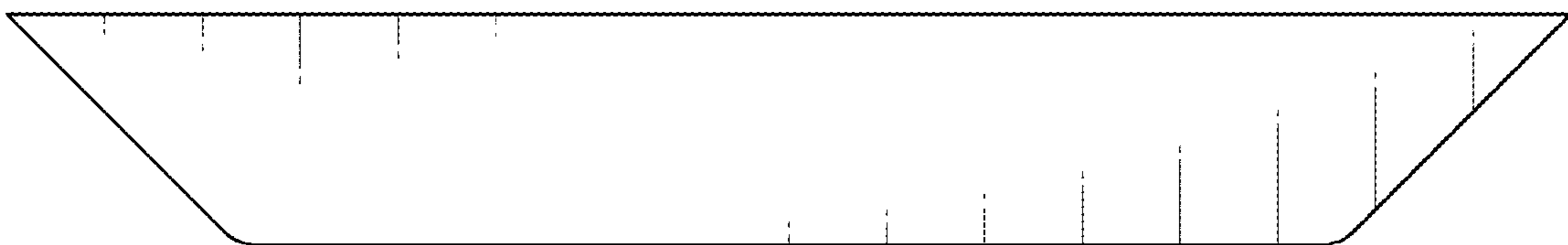


FIG. 7

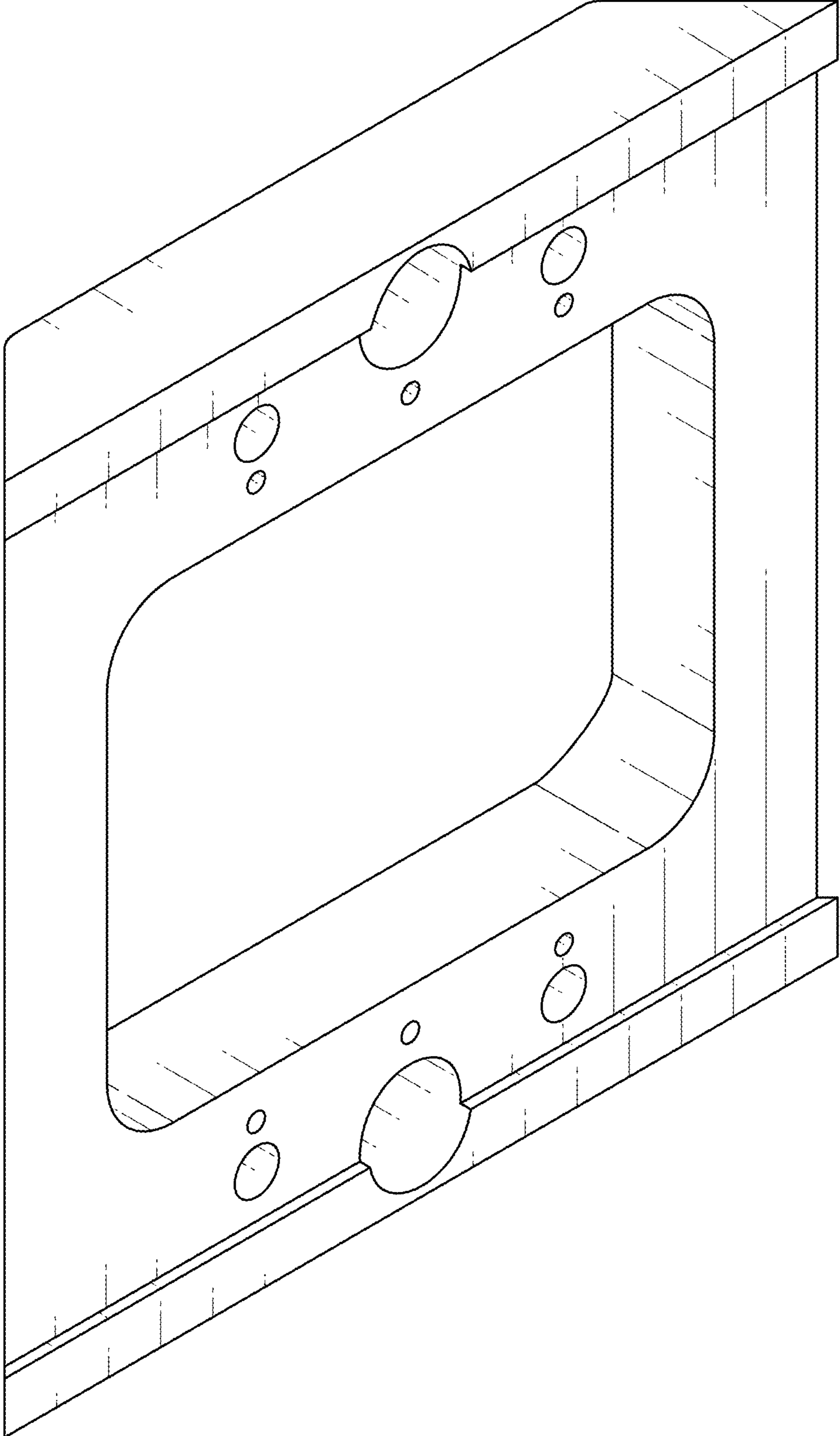


FIG. 8

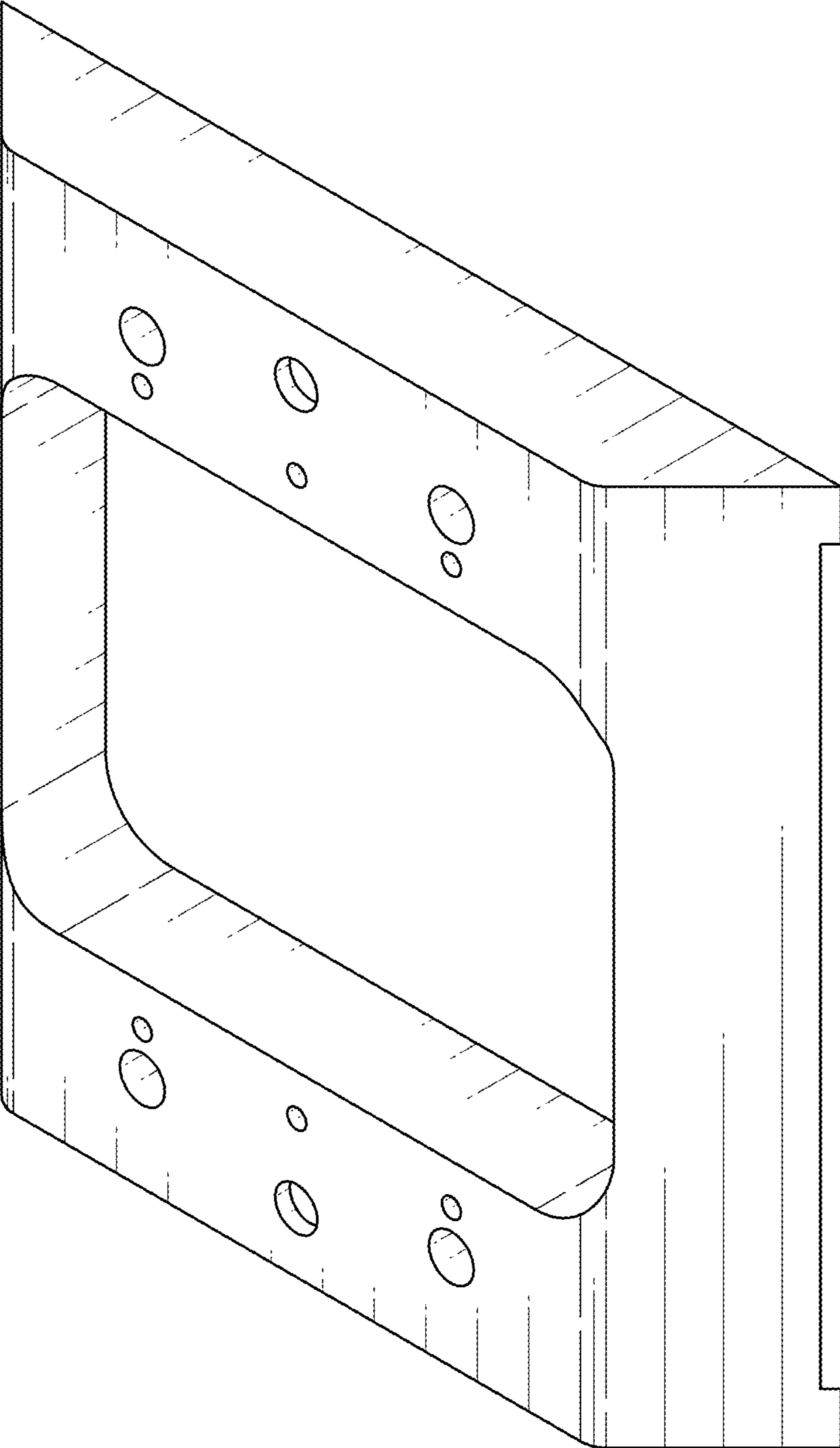


FIG. 9

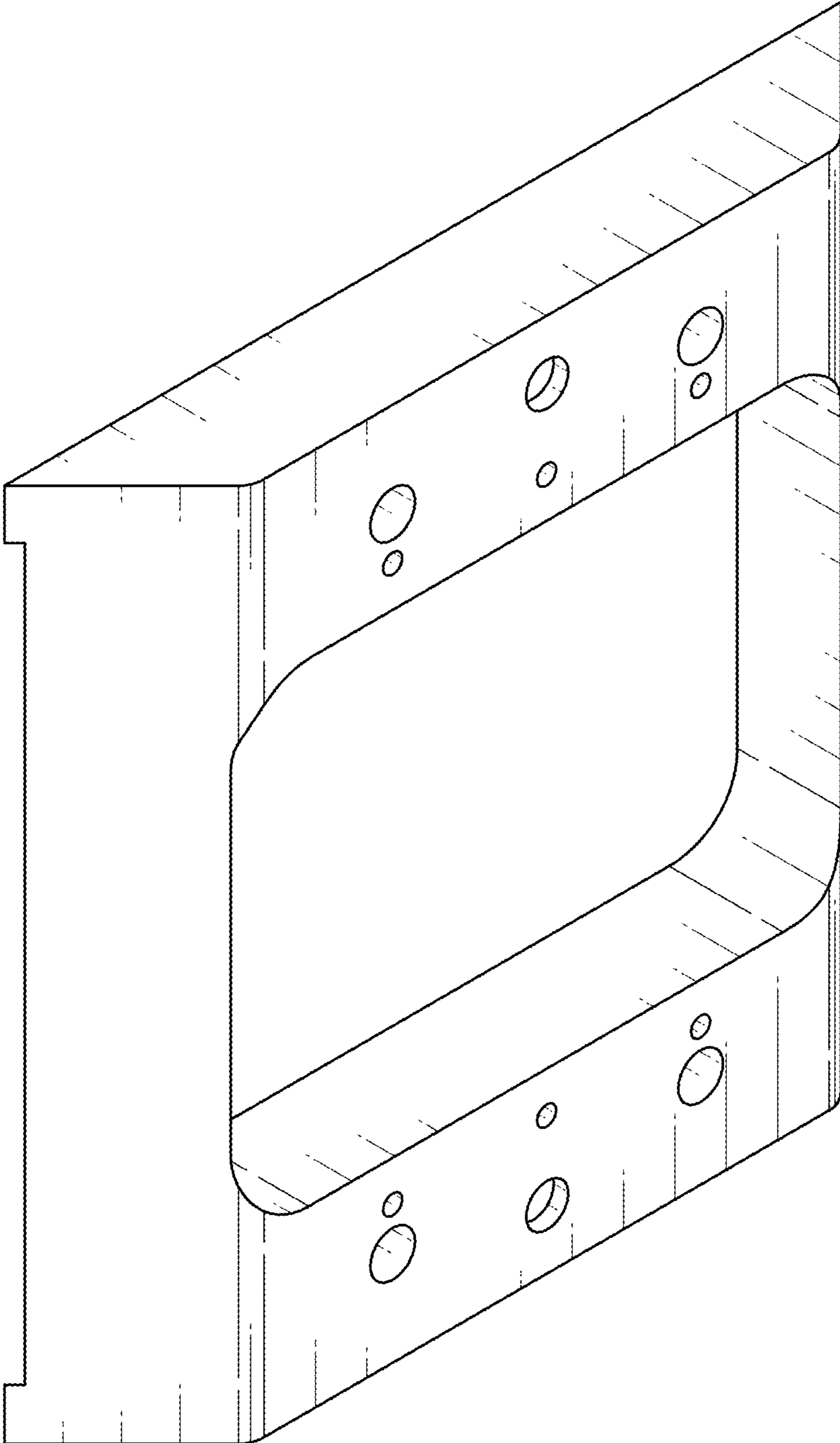


FIG. 10

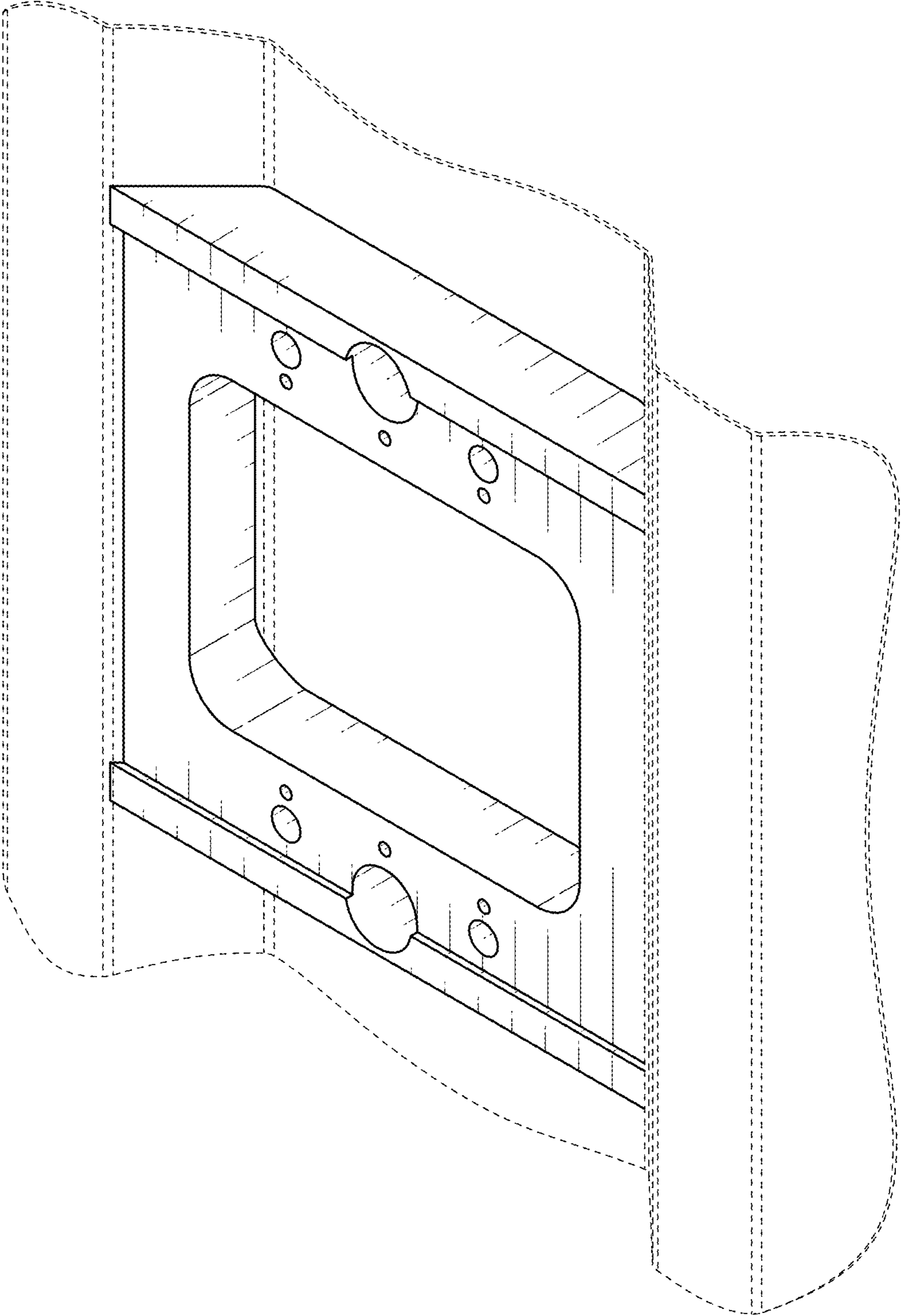


FIG. 11

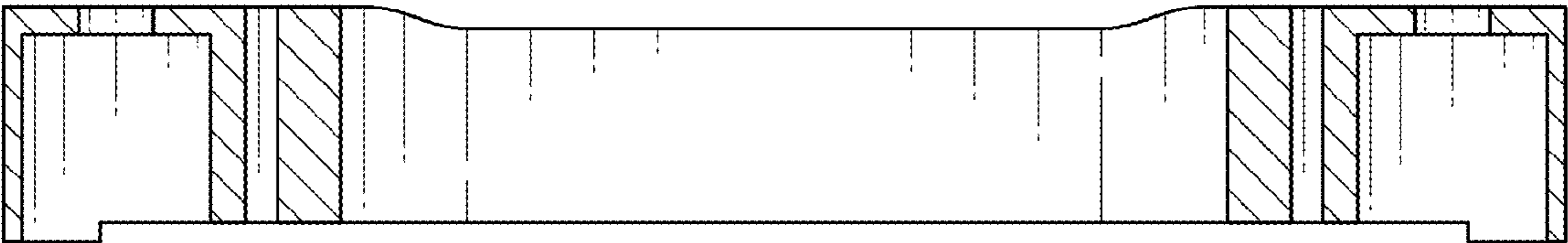


FIG. 13

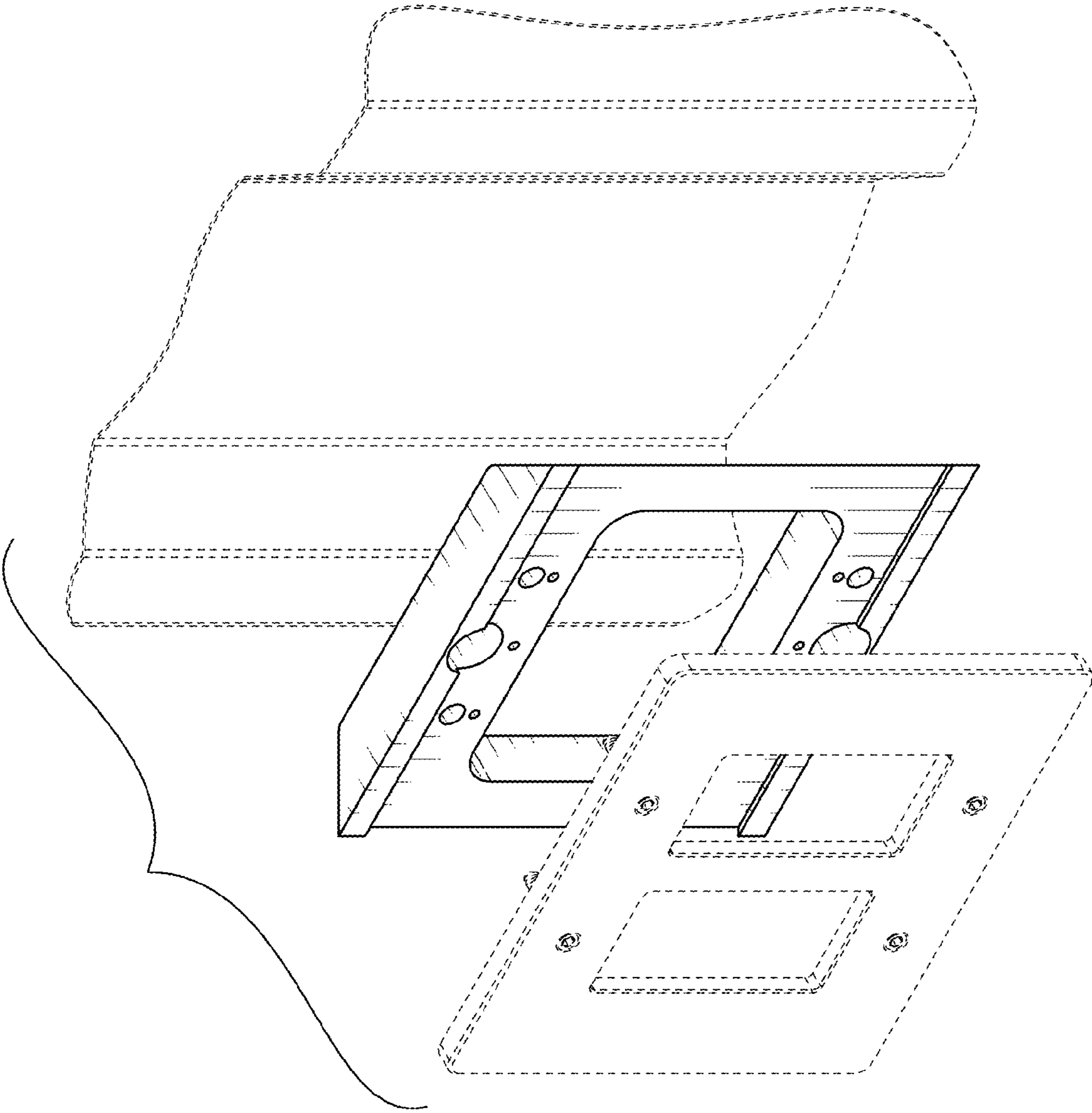


FIG. 12