



US0D1123555S

(12) **United States Design Patent**
Carr

(10) **Patent No.:** **US D1,123,555 S**

(45) **Date of Patent:** **** *Apr. 28, 2026**

(54) **EDGE BEVELER**

(71) Applicant: **TANDY LEATHER FACTORY, INC.**,
Fort Worth, TX (US)

(72) Inventor: **Janet Carr**, Fort Worth, TX (US)

(73) Assignee: **TANDY LEATHER FACTORY, INC.**,
Fort Worth, TX (US)

(*) Notice: This patent is subject to a terminal disclaimer.

(**) Term: **15 Years**

(21) Appl. No.: **29/937,798**

(22) Filed: **Apr. 17, 2024**

Related U.S. Application Data

(63) Continuation of application No. 29/867,156, filed on Oct. 12, 2022, now Pat. No. Des. 1,028,669.

(51) **LOC (15) Cl.** **08-05**

(52) **U.S. Cl.**
USPC **D8/98**

(58) **Field of Classification Search**
USPC D8/14, 51, 98, 101
CPC B26D 3/02; B26D 1/015; B26D 7/025
See application file for complete search history.

(56) **References Cited**

U.S. PATENT DOCUMENTS

- | | | | | |
|-------------------|---------|-----------|-------|-----------|
| 1,472,094 A * | 10/1923 | Friedrich | | C14B 1/14 |
| | | | | 69/11 |
| 1,699,348 A * | 1/1929 | Cook | | C14B 5/04 |
| | | | | 428/167 |
| D1,028,669 S * | 5/2024 | Carr | | D8/98 |
| 2016/0230238 A1 * | 8/2016 | Nettles | | B26D 3/02 |

OTHER PUBLICATIONS

Master Tool EZ Edge Strap Beveler, Video review from Weaverleathersupply.com, reviewed on or before Sep. 6, 2020.*

* cited by examiner

Primary Examiner — Philip S Hyder

(74) *Attorney, Agent, or Firm* — HAYNES AND BOONE, LLP

(57) **CLAIM**

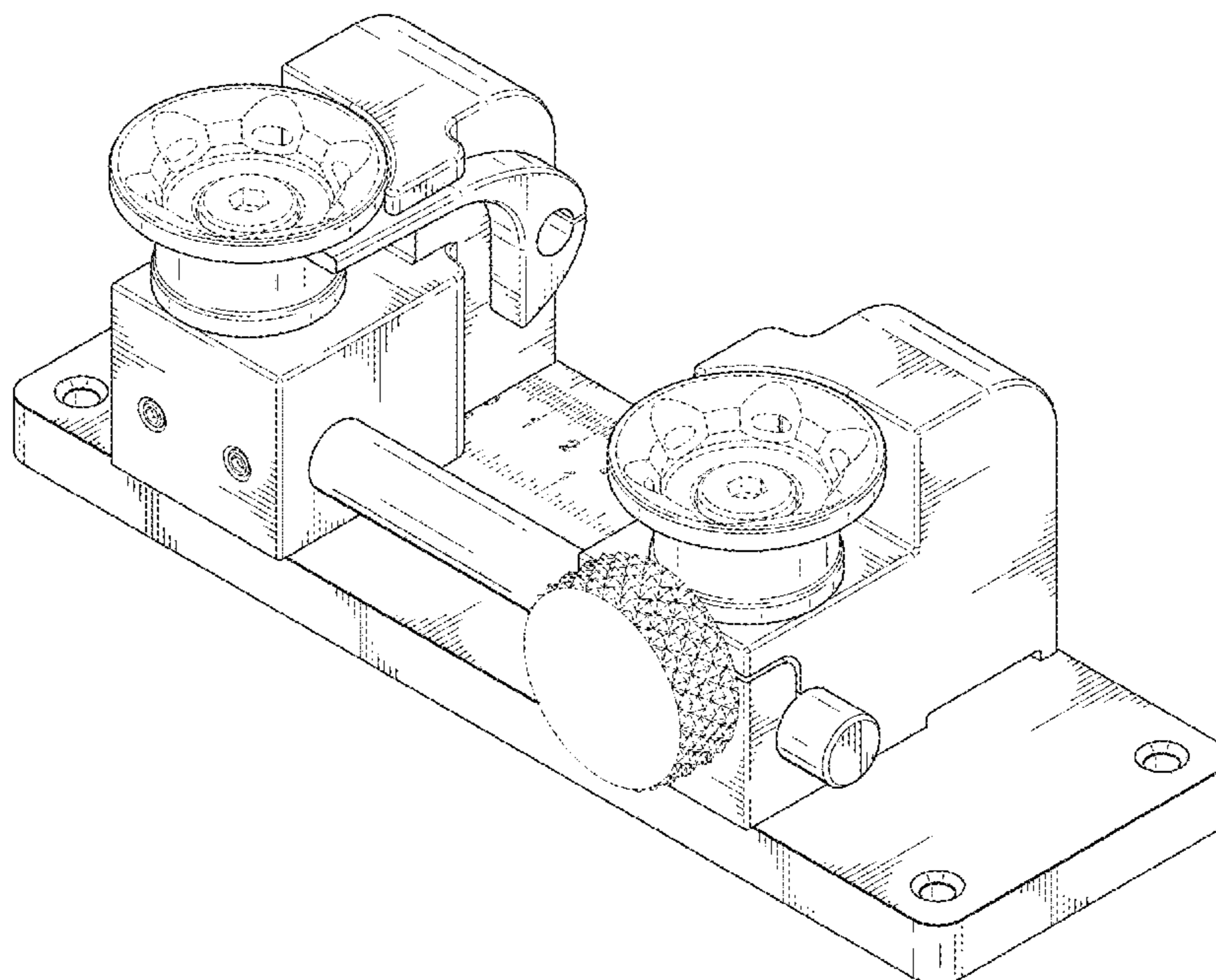
The ornamental design for an edge beveler as shown and described.

DESCRIPTION

FIG. 1 is a front perspective view of an edge beveler showing my new design;
 FIG. 2 is a front view thereof;
 FIG. 3 is a rear view thereof;
 FIG. 4 is a right side view thereof;
 FIG. 5 is a left side view thereof;
 FIG. 6 is a top view thereof;
 FIG. 7 is a bottom view thereof; and,
 FIG. 8 is a rear perspective view thereof.

The broken lines depict portions of the edge beveler in which the design is embodied that form no part of the claimed design.

1 Claim, 7 Drawing Sheets



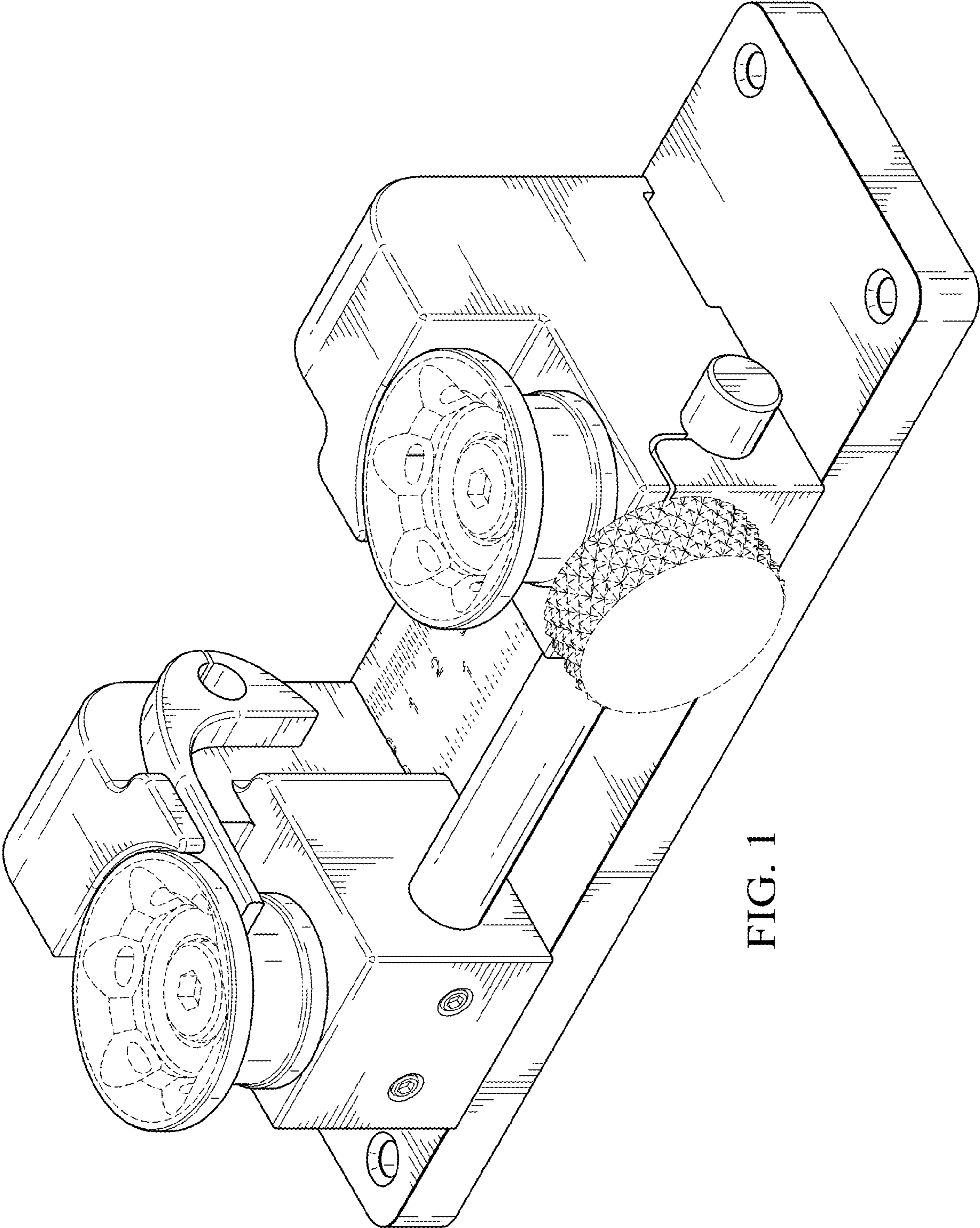


FIG. 1

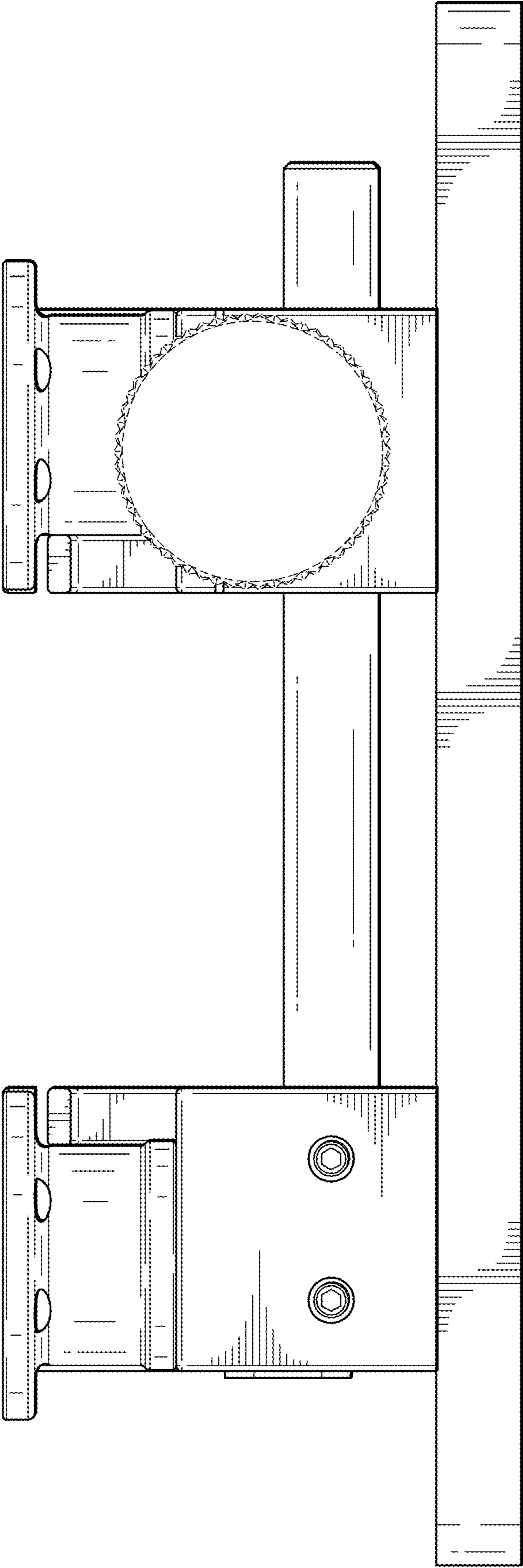


FIG. 2

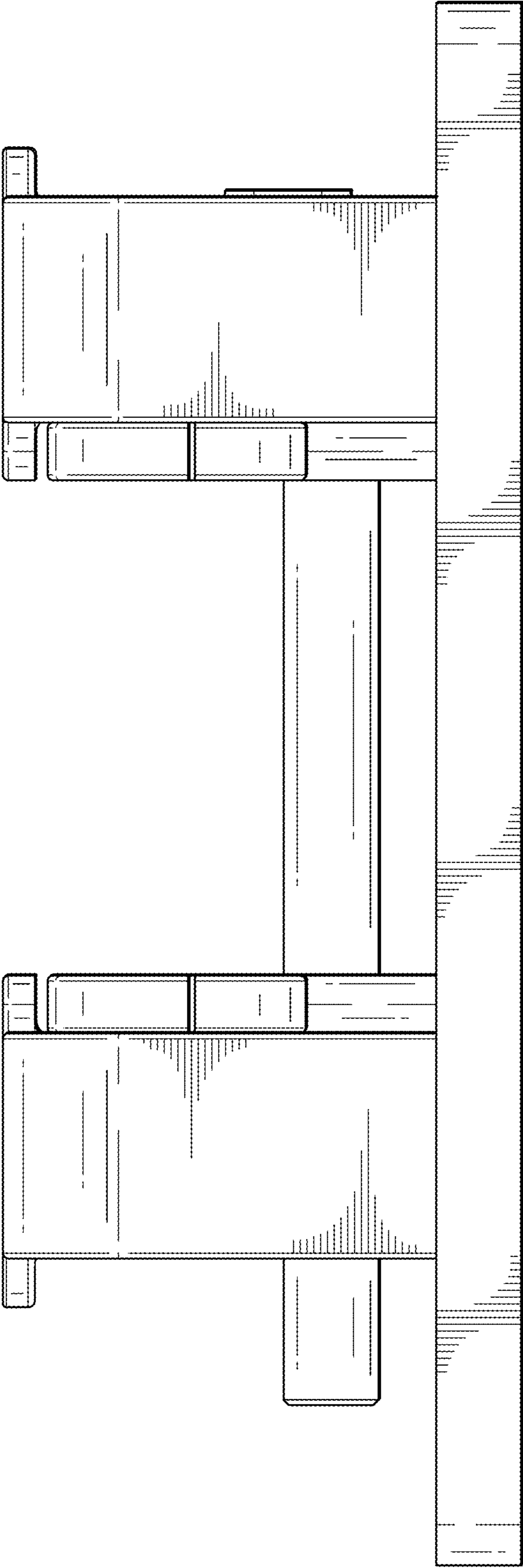


FIG. 3

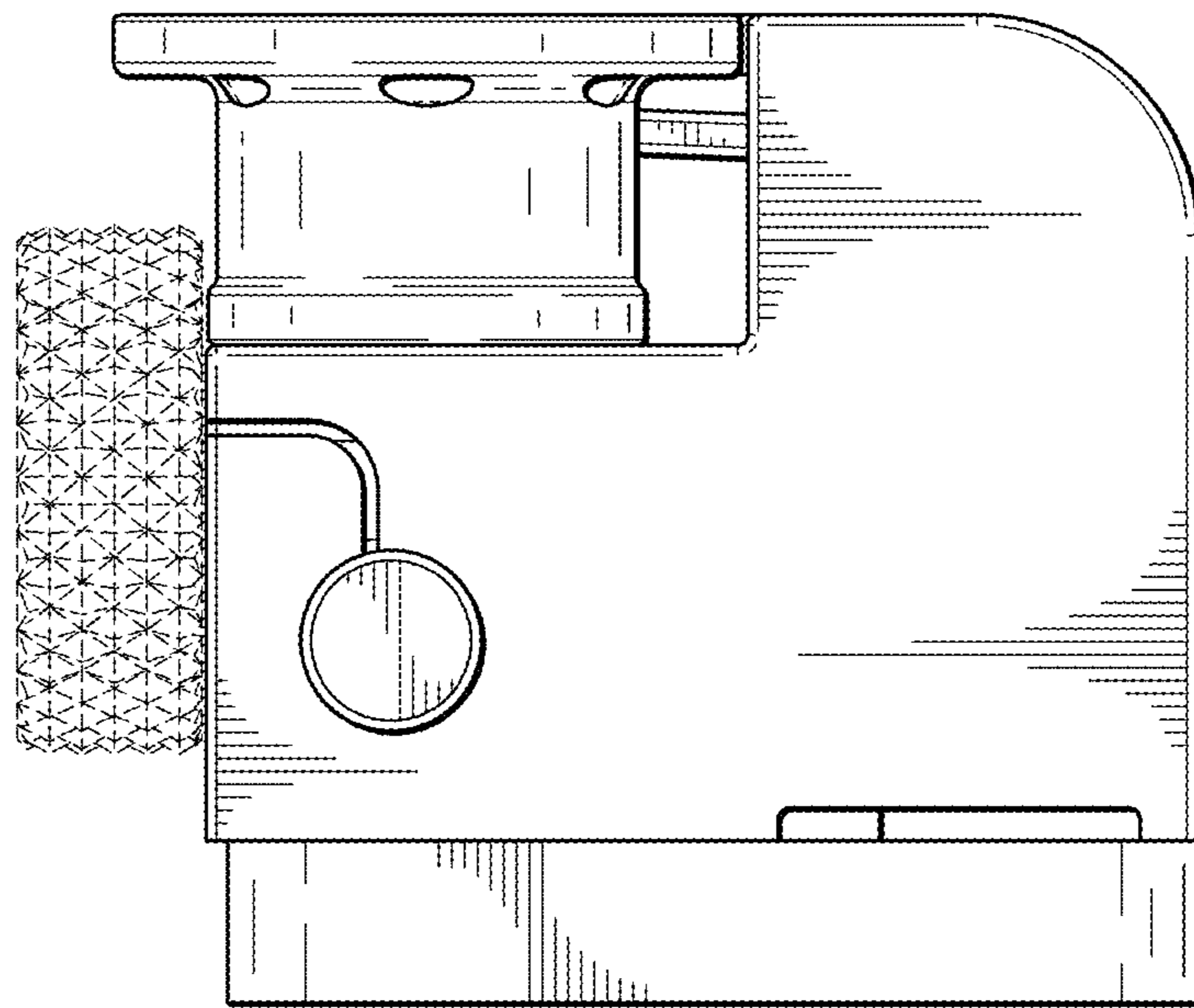


FIG. 4

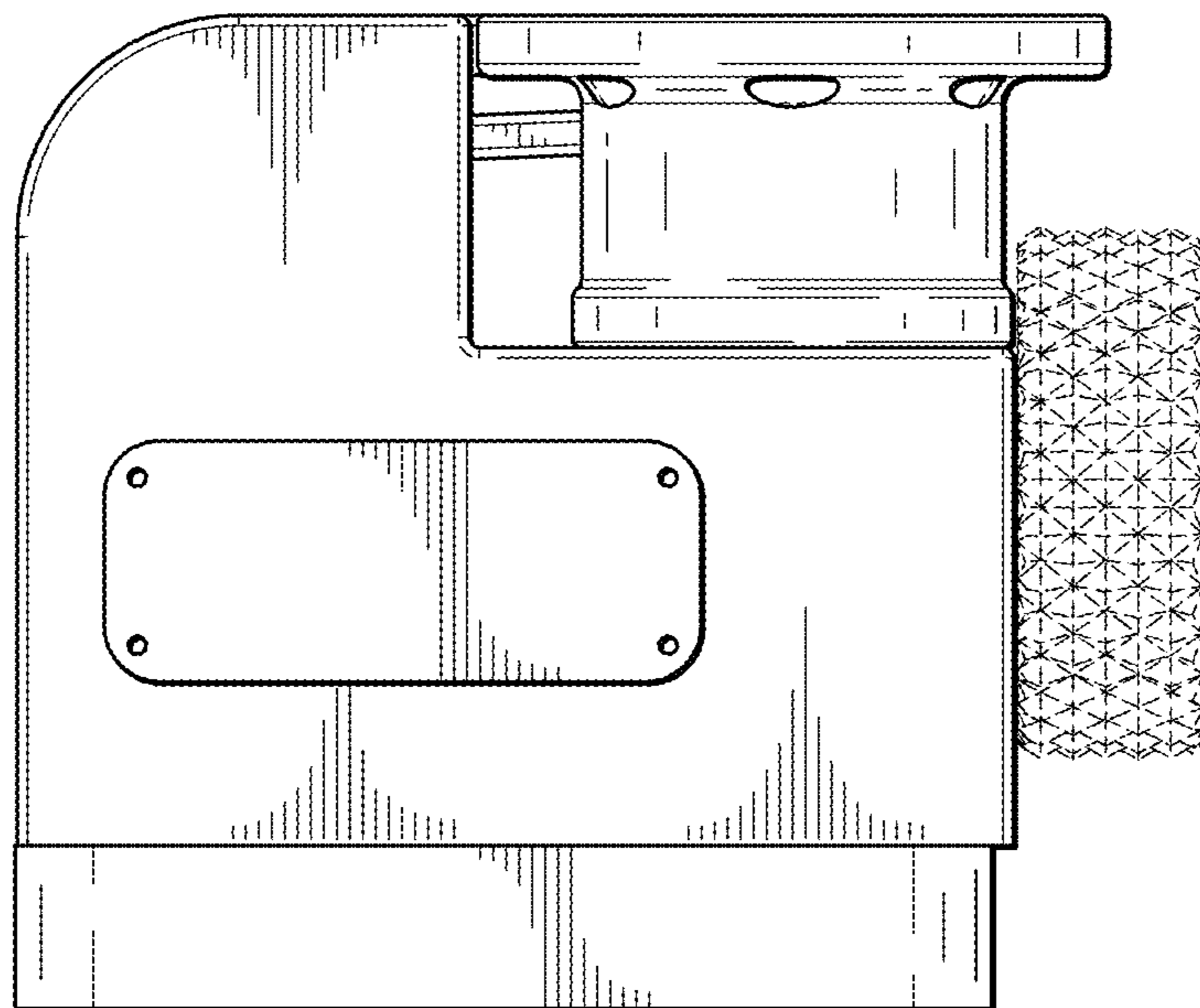


FIG. 5

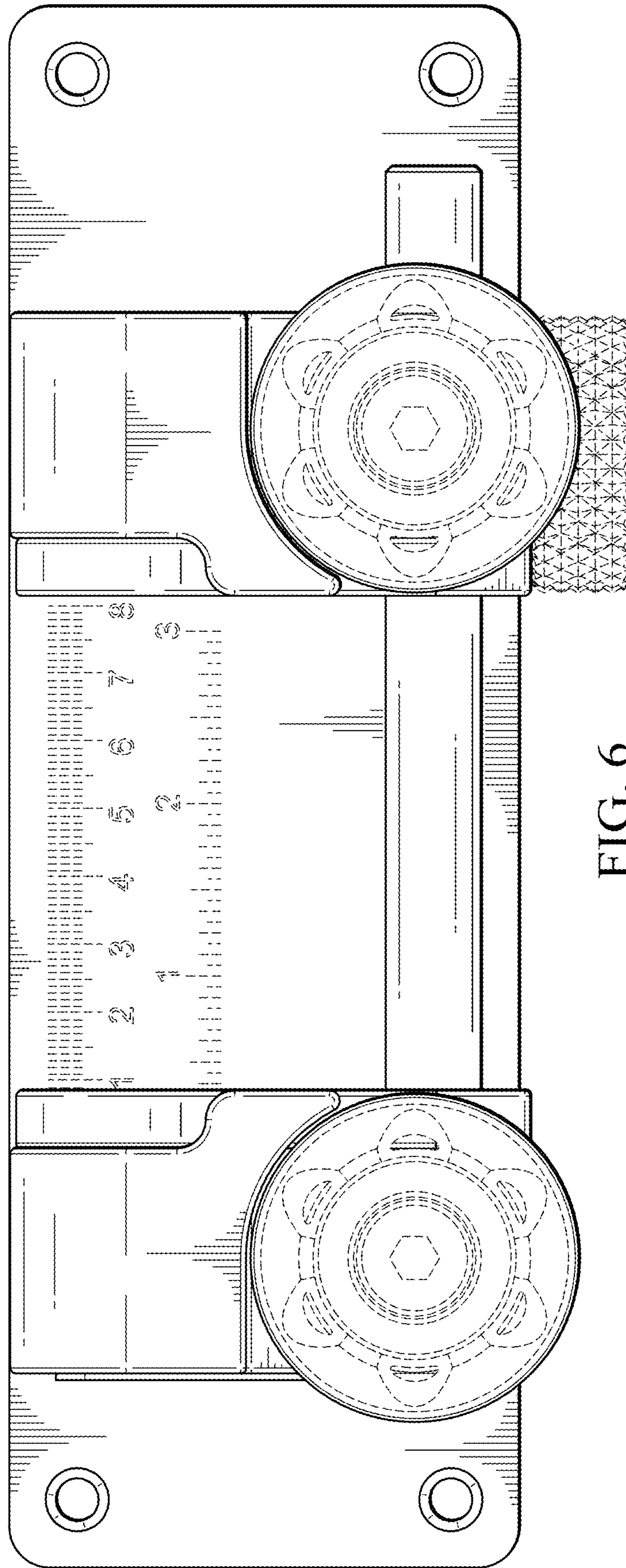


FIG. 6

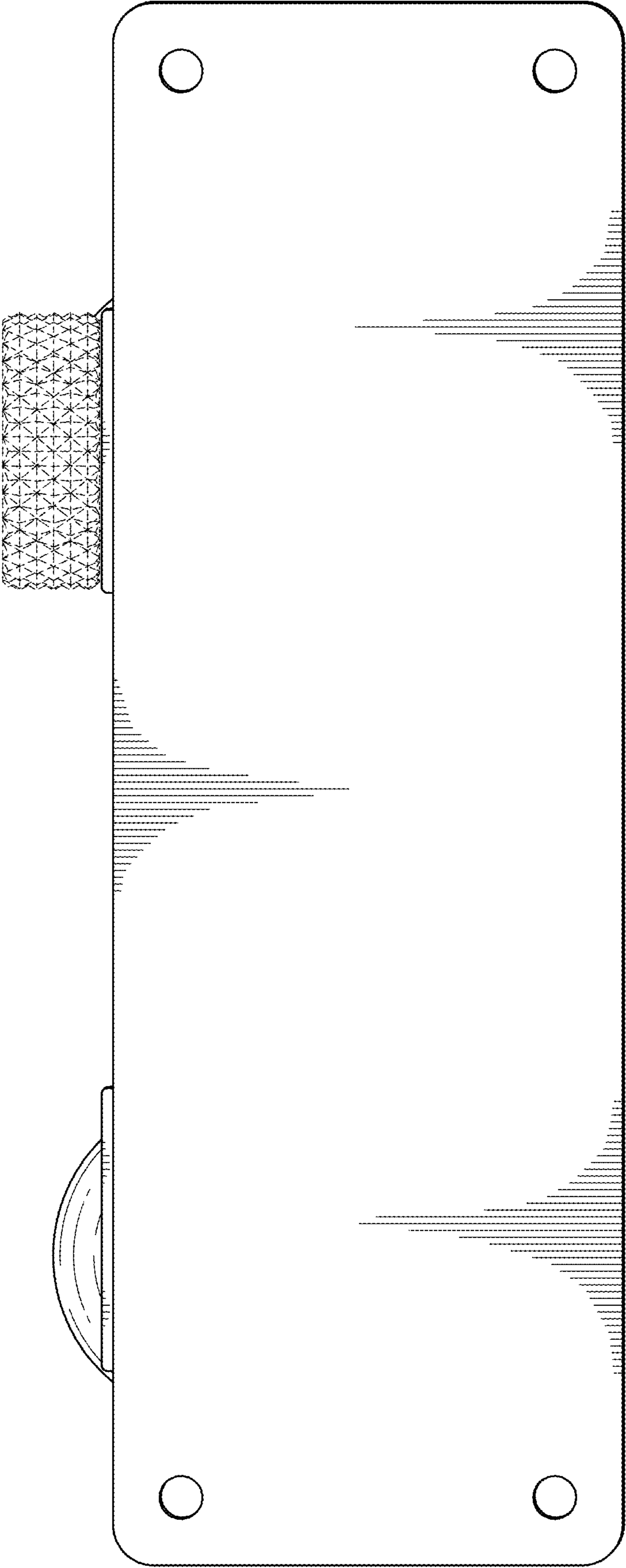


FIG. 7

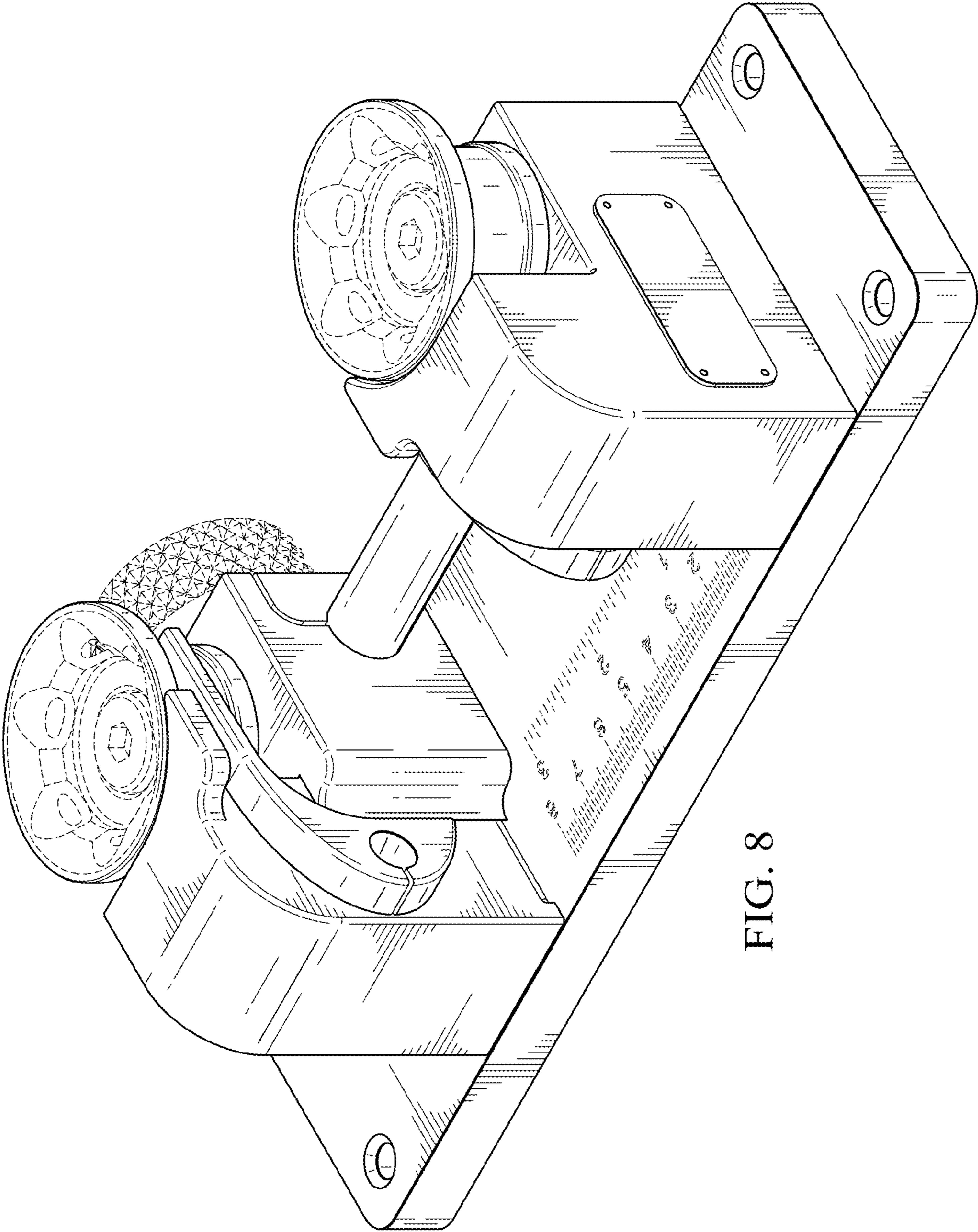


FIG. 8