



US0D1123457S

(12) **United States Design Patent** (10) **Patent No.:** **US D1,123,457 S**  
**Hutfilz et al.** (45) **Date of Patent:** **\*\* Apr. 28, 2026**

(54) **JEWELRY VIEWING STAND**  
(71) Applicant: **STERLING JEWELERS INC.,**  
Akron, OH (US)  
(72) Inventors: **Stephen Hutfilz,** Akron, OH (US);  
**Sean Kelley,** Parma, OH (US); **Stephen**  
**Maillard,** Copley, OH (US); **Tenielle**  
**Mccarron,** Massillon, OH (US);  
**Natalie R. Mallinak,** Akron, OH (US);  
**Richard Smith,** Medina, OH (US);  
**Brad Yarris,** Medina, OH (US); **Rachel**  
**Weber,** Cuyahoga Falls, OH (US);  
**Maie Amer-Guerrera,** Southlake, TX  
(US)

(73) Assignee: **STERLING JEWELERS INC.**

(\*\*) Term: **15 Years**

(21) Appl. No.: **29/993,744**

(22) Filed: **Mar. 17, 2025**

**Related U.S. Application Data**

(63) Continuation of application No. 29/857,955, filed on  
Oct. 26, 2022, now Pat. No. Des. 1,068,338.

(51) **LOC (15) Cl.** ..... **06-04**

(52) **U.S. Cl.**  
USPC ..... **D6/657**

(58) **Field of Classification Search**  
USPC ..... D6/657, 662, 662.1, 663, 669, 672, 675,  
D6/675.3, 678.2  
CPC .. A47F 7/02; A47F 7/021; A47F 7/022; A47F  
7/024; A47F 7/0243; A47F 7/0246; A47F  
7/03

See application file for complete search history.

(56) **References Cited**

**U.S. PATENT DOCUMENTS**

D171,871 S \* 3/1954 Swigert ..... D19/78  
2,738,250 A \* 3/1956 Mele ..... A45C 11/16  
312/276

2,755,154 A \* 7/1956 Mele ..... A45C 11/16  
312/274  
D248,705 S \* 8/1978 Thomas ..... D19/76  
D417,783 S \* 12/1999 Wolf ..... D3/276  
D434,579 S \* 12/2000 Rabb ..... D6/663  
D835,436 S \* 12/2018 Reister ..... D6/662  
D922,800 S \* 6/2021 Reister ..... D6/662  
D922,801 S \* 6/2021 Reister ..... D6/662

(Continued)

**OTHER PUBLICATIONS**

Amazon.co.uk. <https://www.amazon.co.uk/Jewelry-Organizer-Exquisite-Transparent-Capacity/dp/B0CFQ775JT>. "Jewelry Case Jewelry Box Jewelry Display Storage . . ." Aug. 2023 (Year: 2023).\*  
(Continued)

Primary Examiner — R. Johnson

(74) Attorney, Agent, or Firm — Quarles & Brady LLP

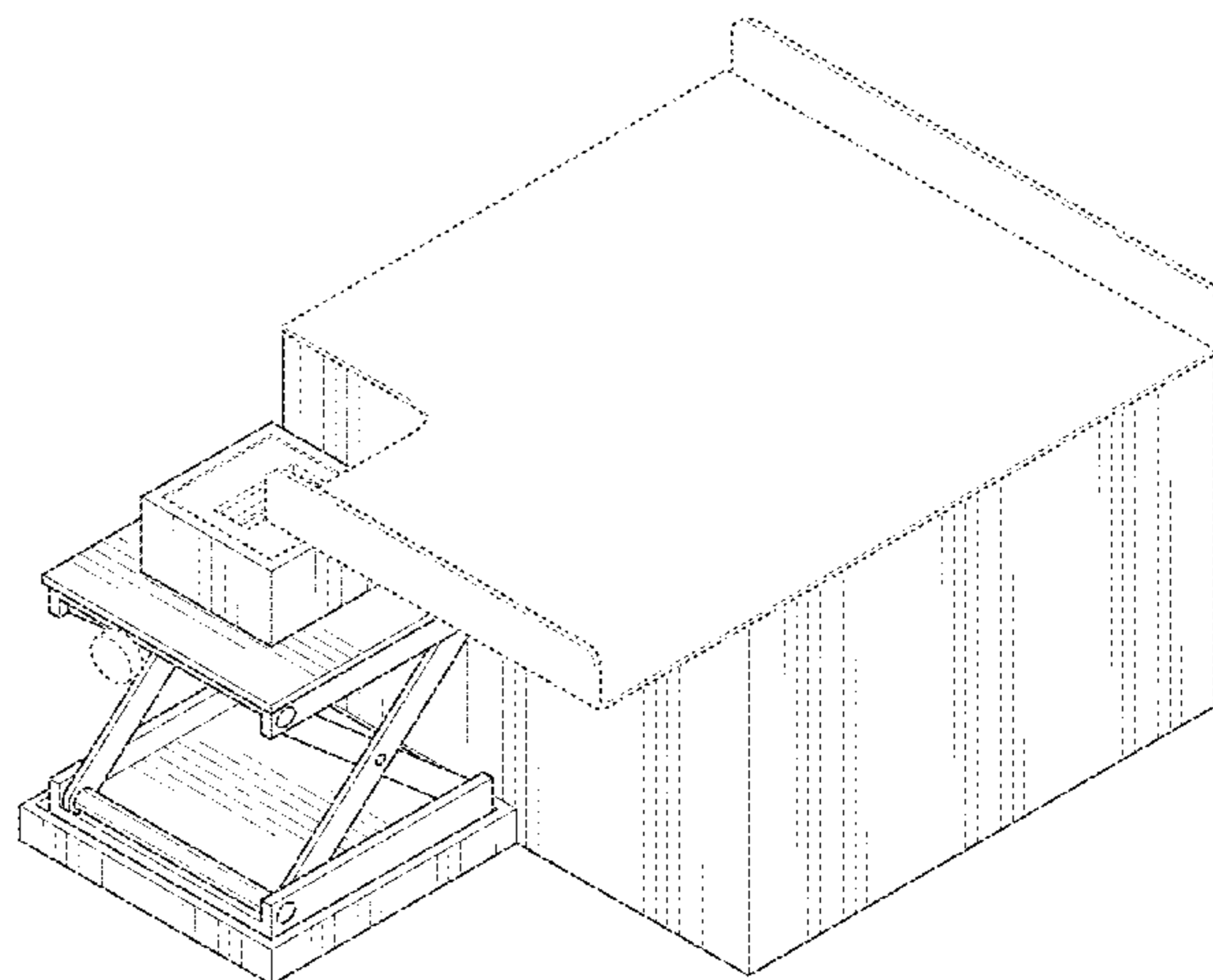
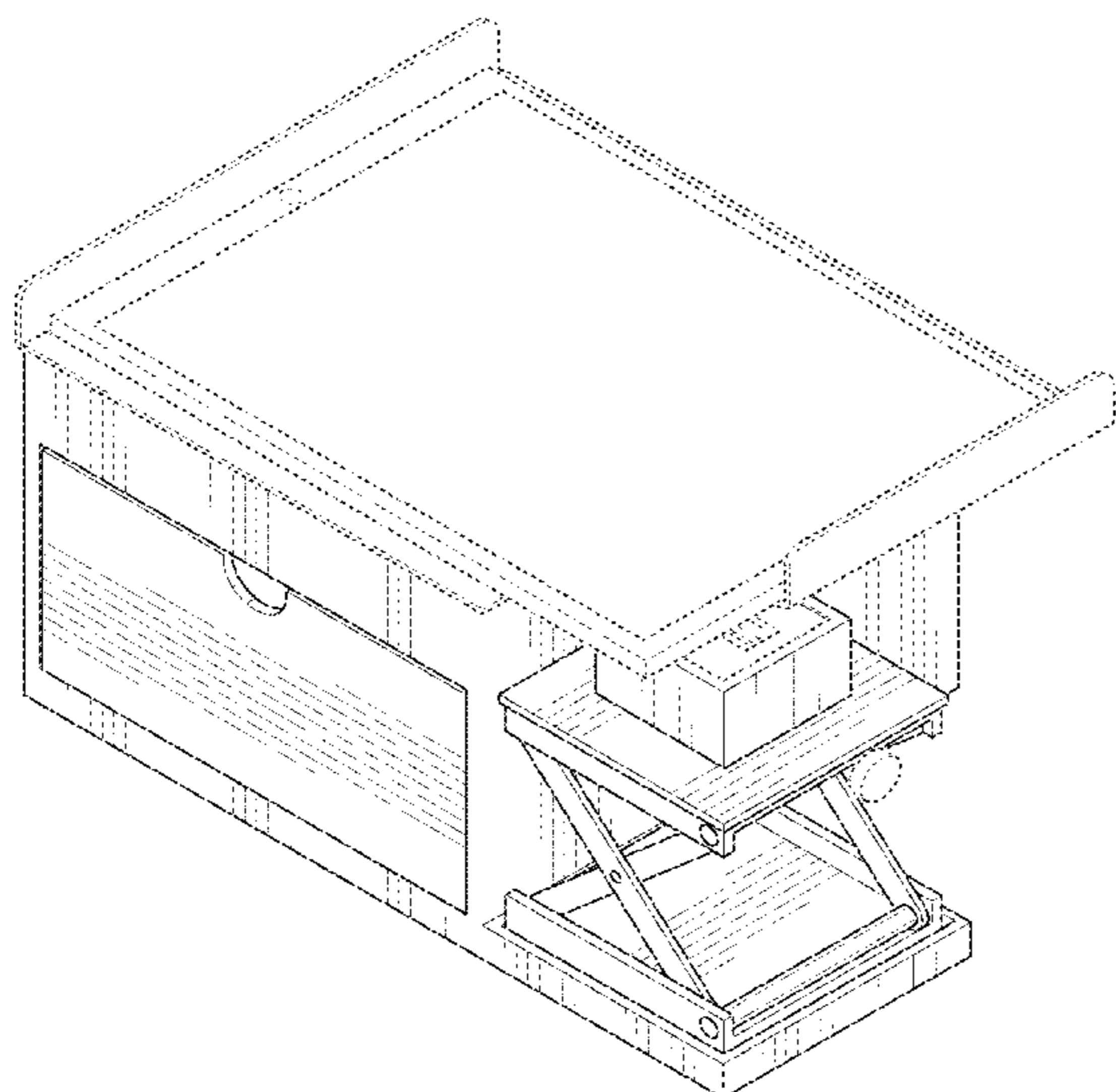
(57) **CLAIM**

The ornamental design for a jewelry viewing stand, as shown and described.

**DESCRIPTION**

FIG. 1 is a top front perspective view of the jewelry viewing stand, showing our new design;  
FIG. 2 is a top back perspective view, thereof;  
FIG. 3 is a front view, thereof;  
FIG. 4 is a back view, thereof;  
FIG. 5 is a right view, thereof;  
FIG. 6 is a left view, thereof;  
FIG. 7 is a top view, thereof; and,  
FIG. 8 is a bottom view, thereof.  
The broken lines shown in the drawings illustrate portions of the jewelry viewing stand that form no part of the claimed design.

**1 Claim, 6 Drawing Sheets**



(56)

**References Cited**

U.S. PATENT DOCUMENTS

D923,978 S \* 7/2021 Reister ..... D6/662  
D1,068,338 S \* 4/2025 Hutfilz ..... D6/657  
2024/0142385 A1 \* 5/2024 Hutfilz ..... G01N 21/87

OTHER PUBLICATIONS

Shop LC. <https://www.shoplc.com/tan-velvet-2-layer-anti-tarnish-jewelry-box-with-lock-and-key/p/6274985.html>. "Tan Velvet 2 Layer Anti Tarnish Jewelry Box with Lock and Key." Date Unknown: Viewed Aug. 2025 (Year: 2025).\*

Sterling Place. <https://sterlingplace.com/products/bubinga-w-mapaburl-inlay-jjb367>. "Large Burlwood (Mapa) Bubinga Inlay Jewelry Box". Date Unknown: Viewed Aug. 2025 (Year: 2025).\*

\* cited by examiner

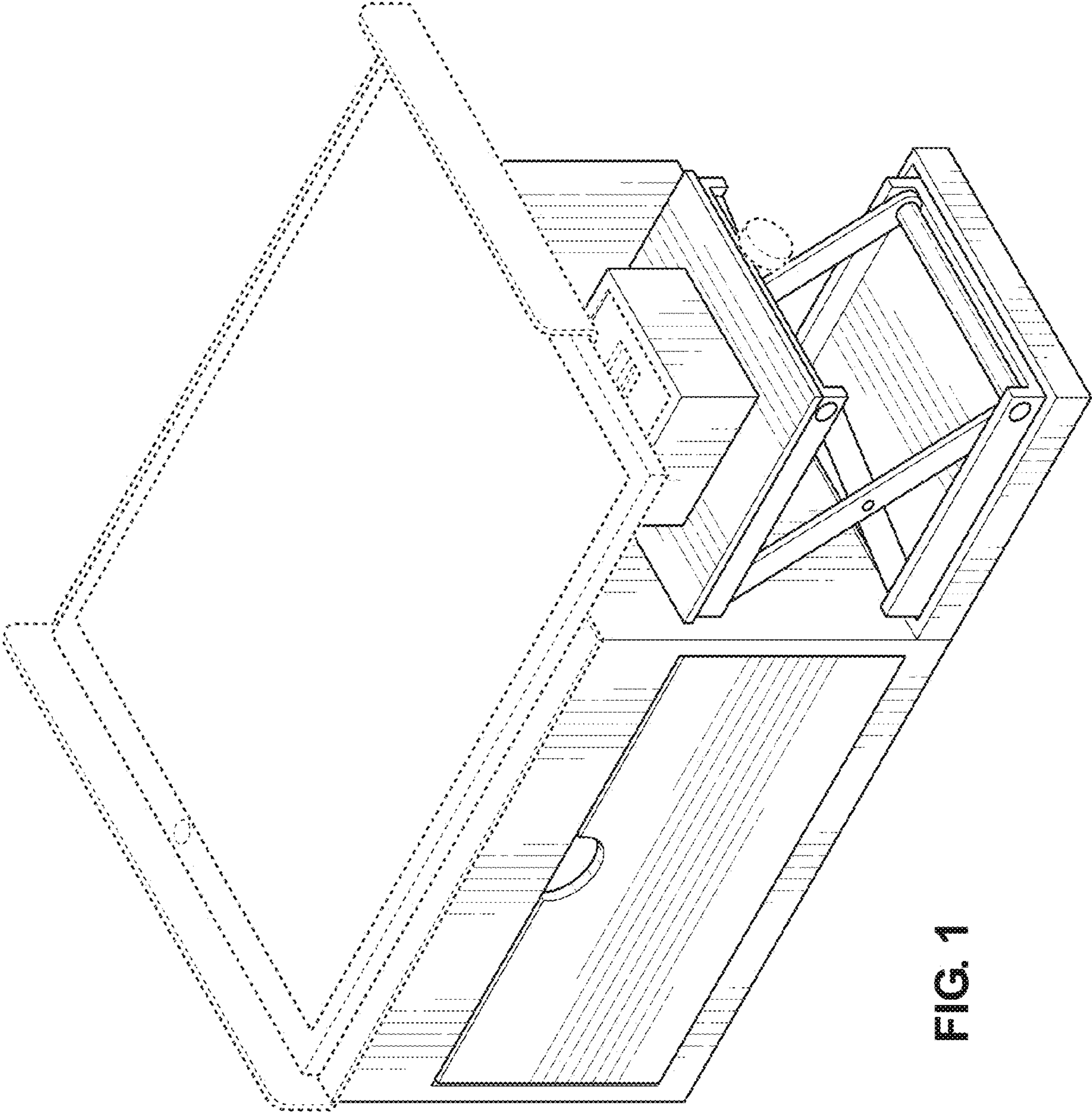


FIG. 1

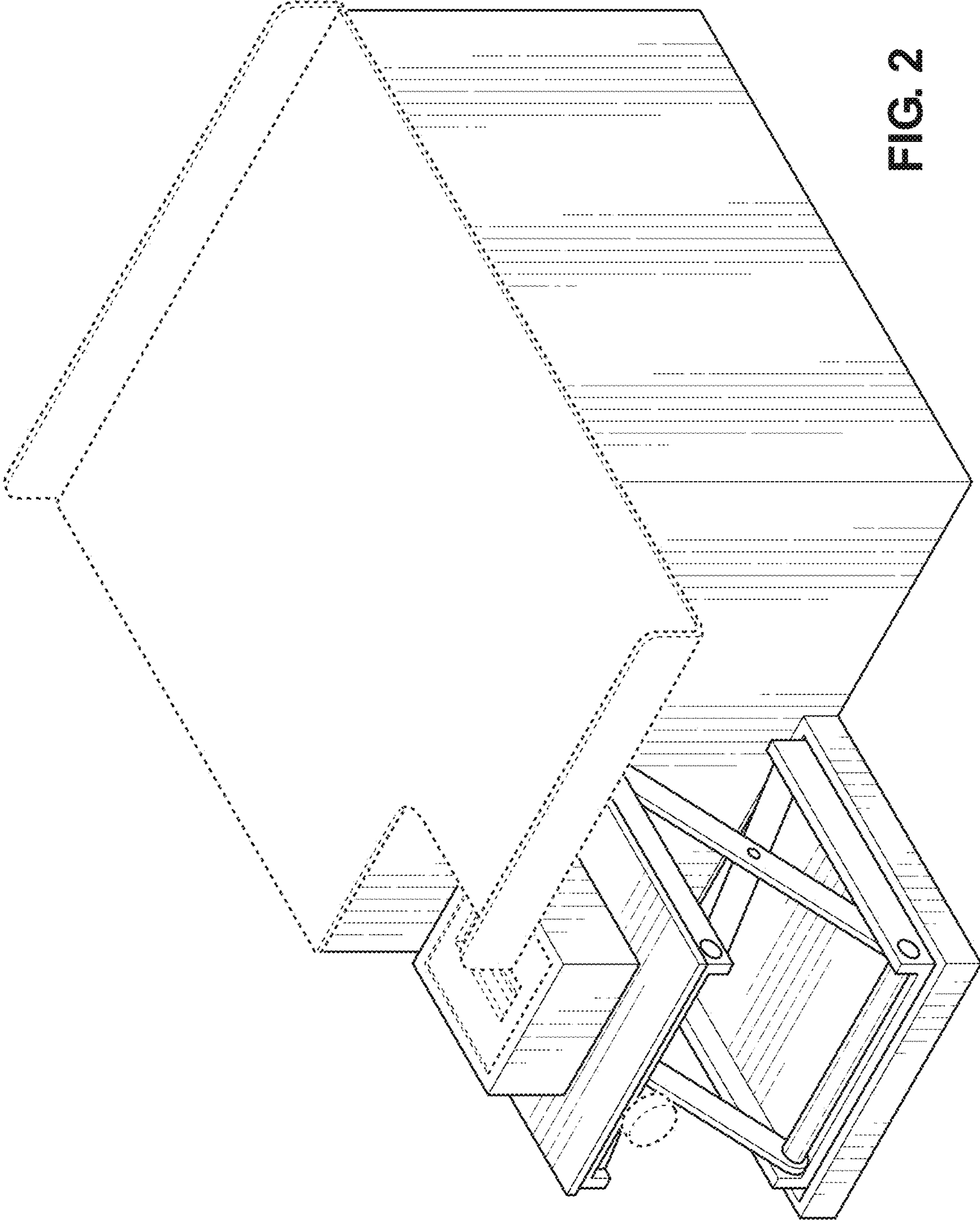


FIG. 2

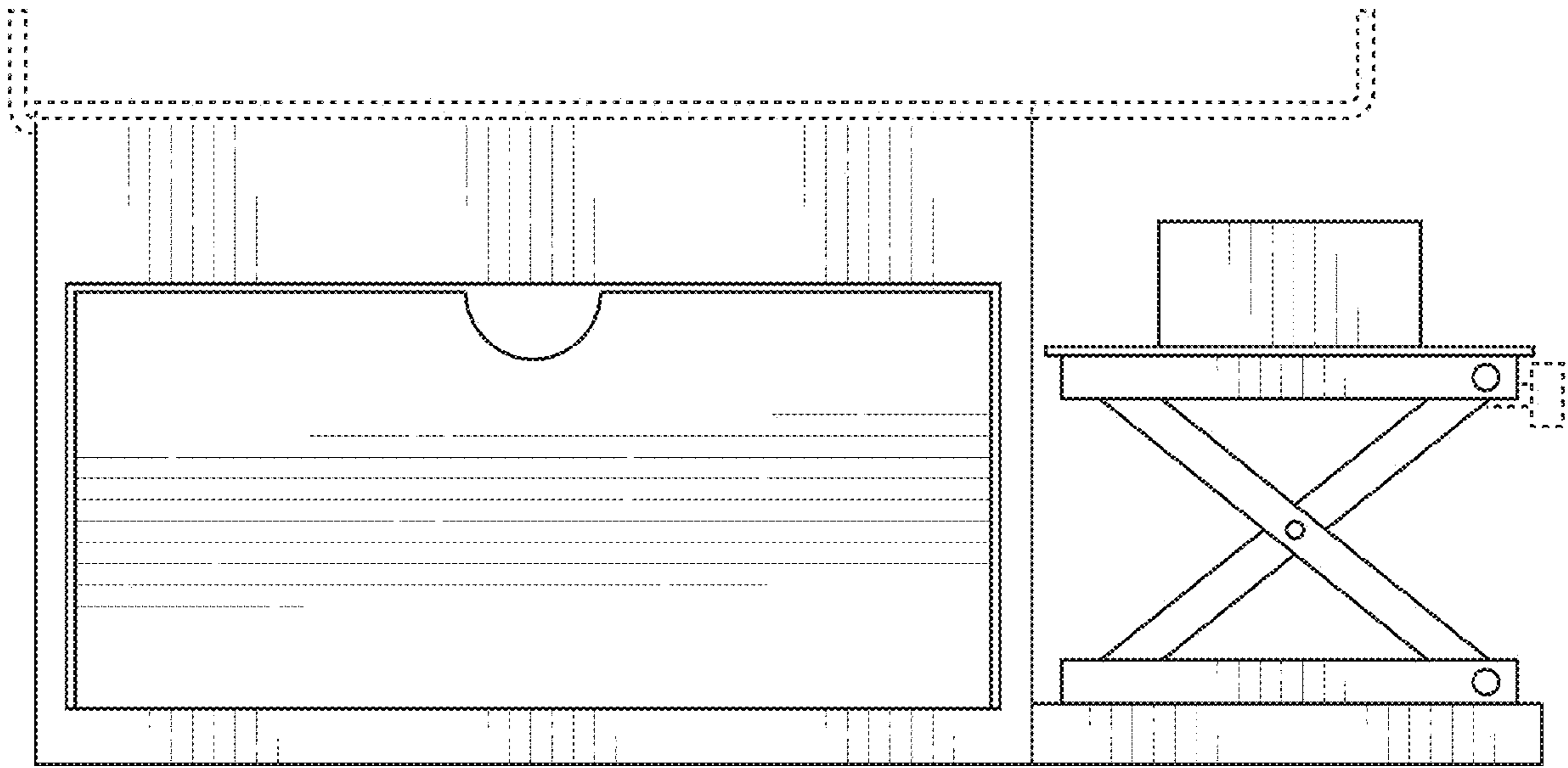


FIG. 3

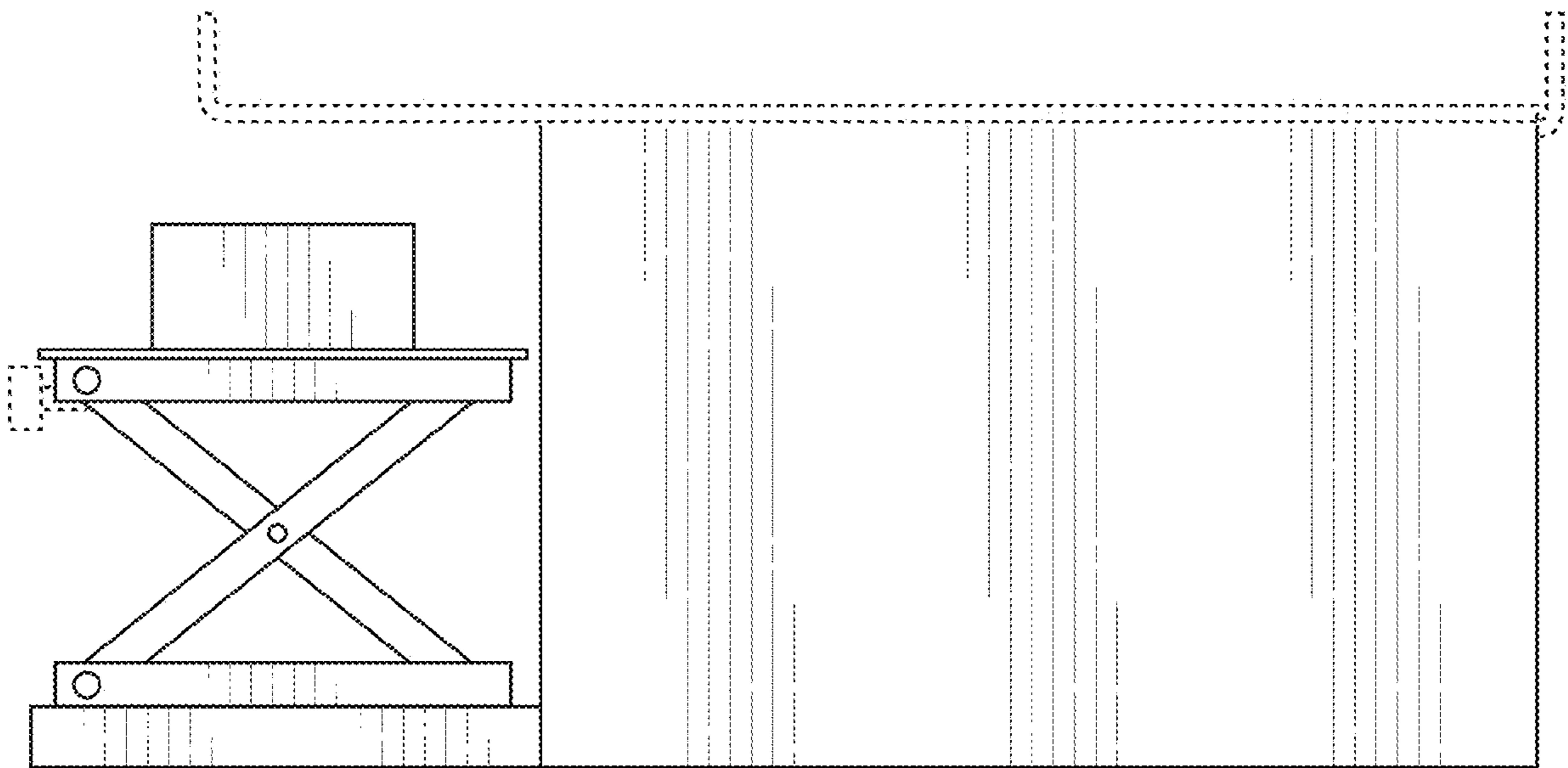
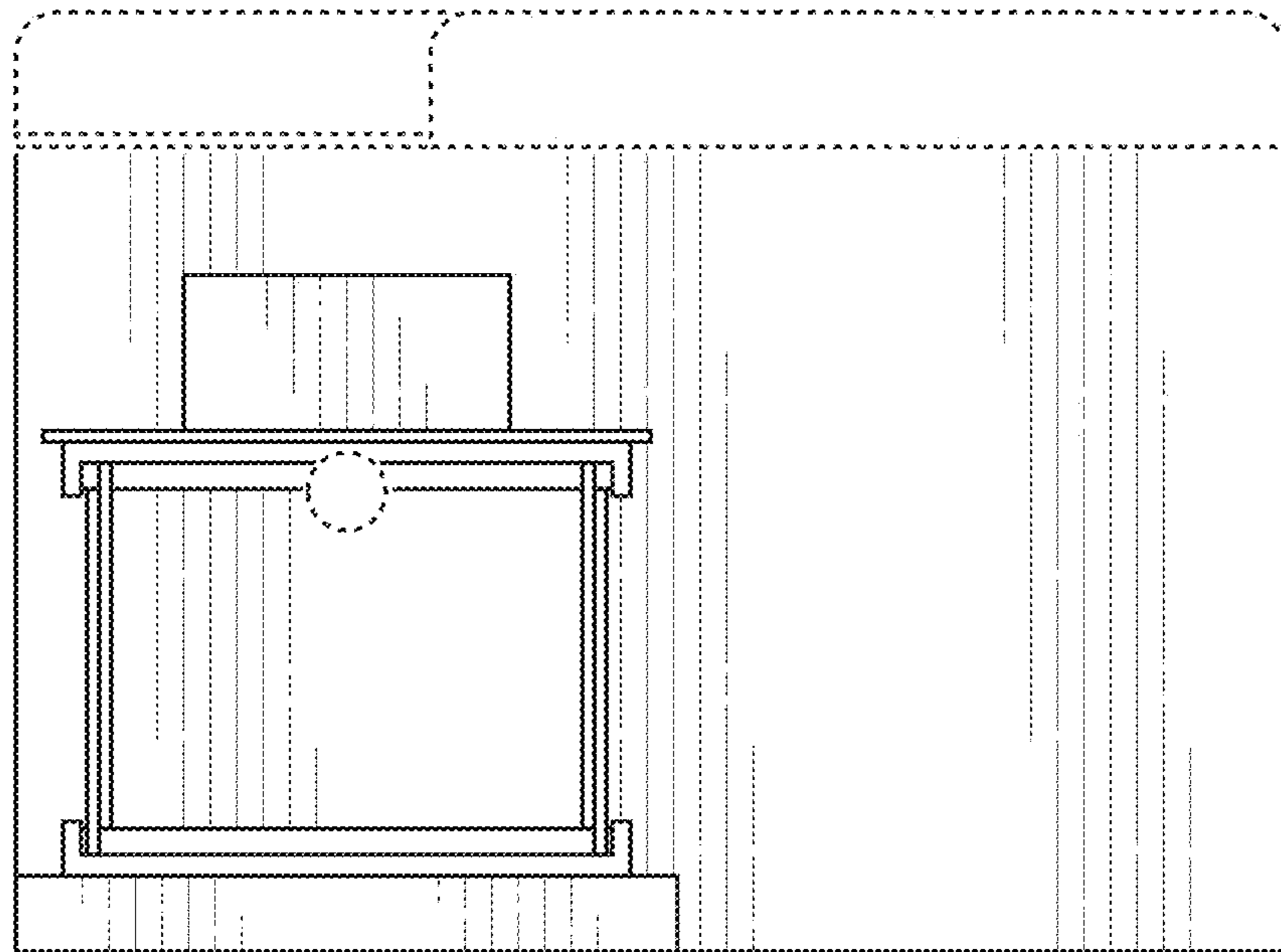
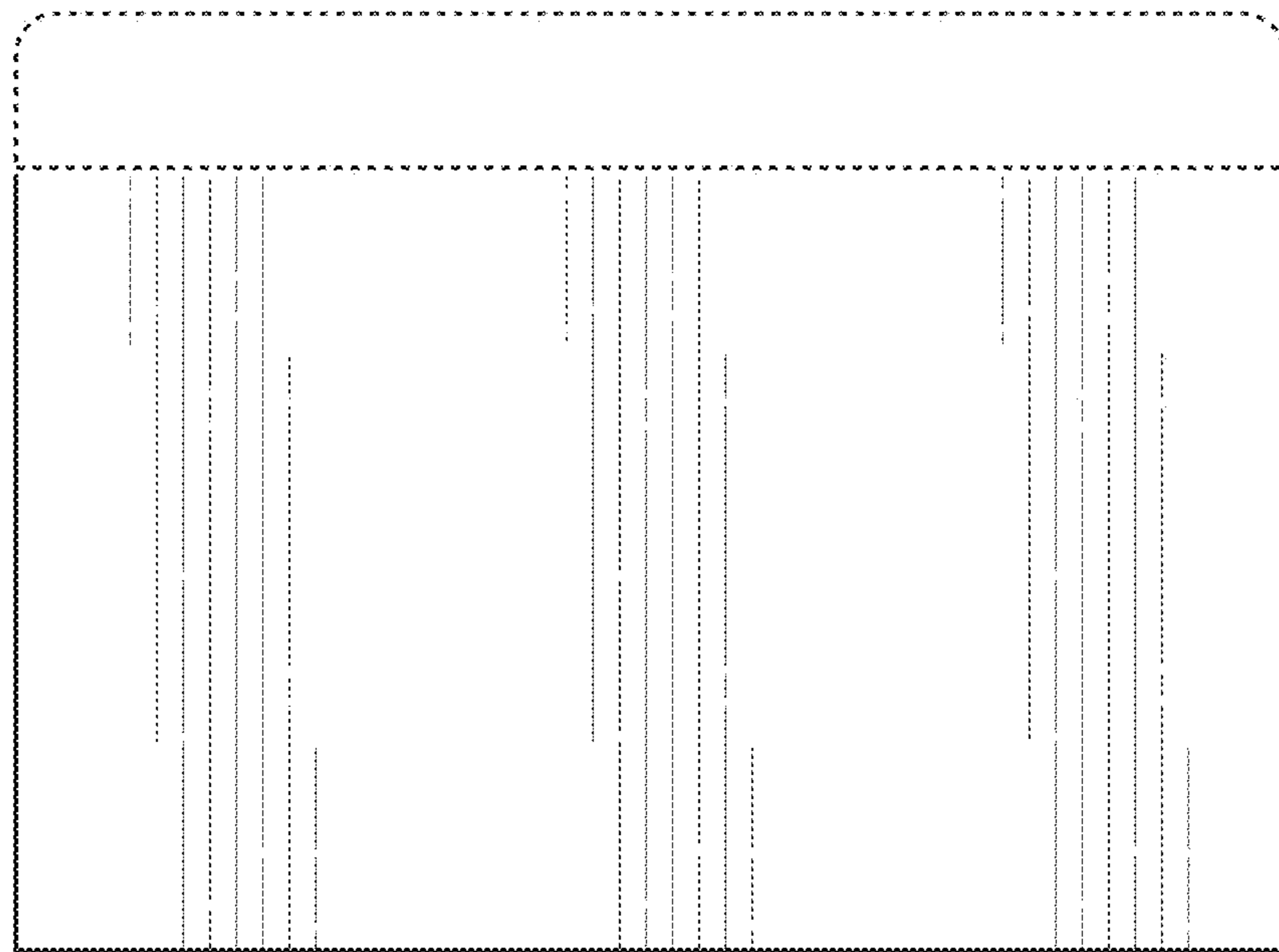


FIG. 4



**FIG. 5**



**FIG. 6**

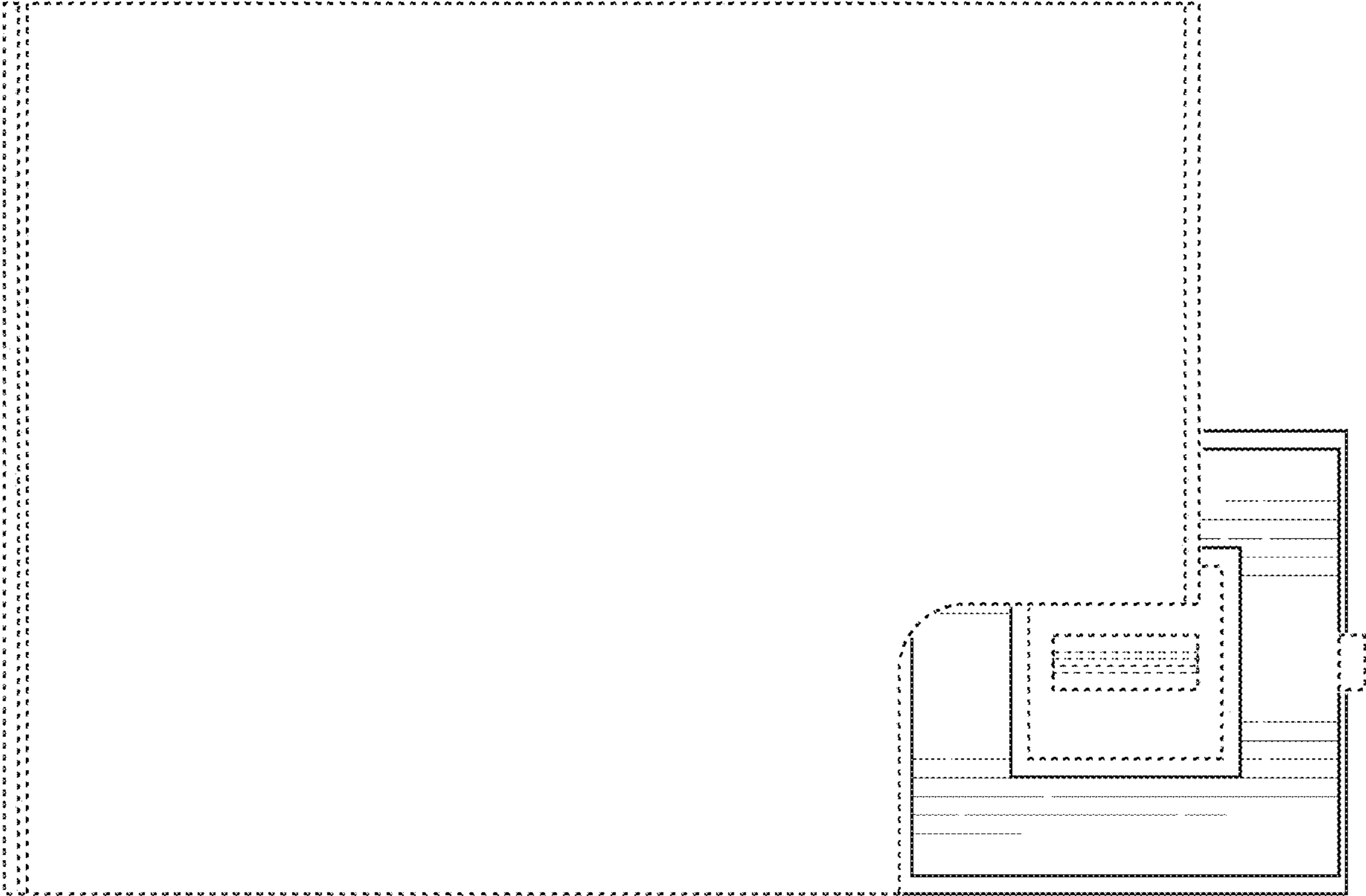


FIG. 7

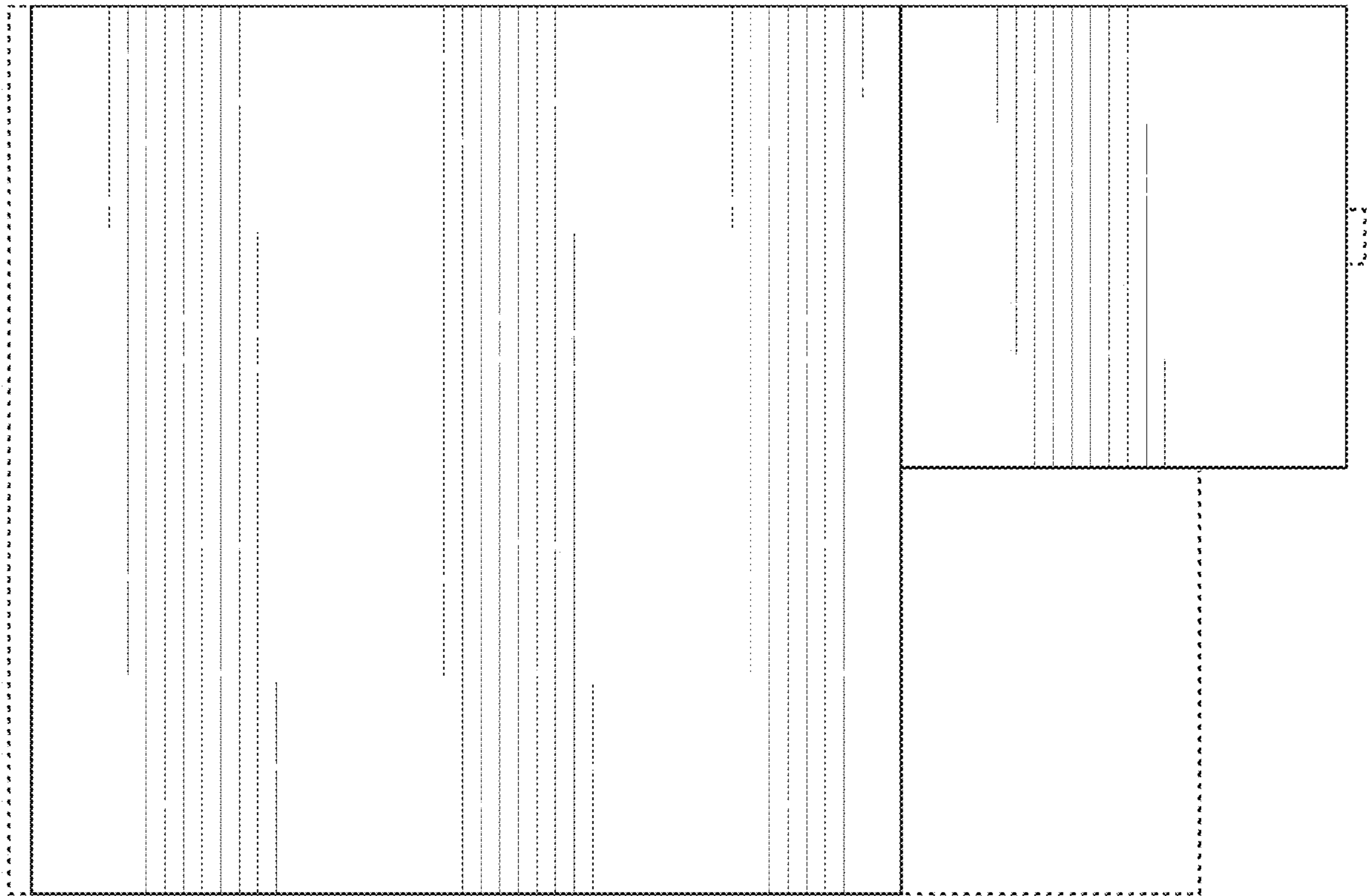


FIG. 8