



US0D1123406S

(12) **United States Design Patent** (10) **Patent No.:** **US D1,123,406 S**  
**Barragan** (45) **Date of Patent:** **\*\* Apr. 28, 2026**

(54) **TOOTHBRUSH HEAD**

(71) Applicant: **Social Medical Supply LLC**,  
Carrollton, TX (US)

(72) Inventor: **Javier Barragan**, Carrollton, TX (US)

(73) Assignee: **Social Medical Supply LLC**,  
Carrollton, TX (US)

(\*\*) Term: **15 Years**

(21) Appl. No.: **29/961,258**

(22) Filed: **Sep. 5, 2024**

(51) **LOC (15) Cl.** ..... **04-02**

(52) **U.S. Cl.**  
USPC ..... **D4/110**

(58) **Field of Classification Search**  
USPC ..... D4/100, 101, 103, 104, 105, 106, 110,  
D4/111, 112, 113; D24/176, 181, 152;  
D29/108  
CPC .... A46B 2200/1066; A46B 2200/1073; A46B  
2200/1086; A46B 2200/3093; A46B  
13/023; A46B 9/04; A46B 17/02; A46B  
15/0002; A46B 5/00; A46B 5/021; A46B  
5/0095; A61C 15/00; A61C 17/16; A61C  
17/222

See application file for complete search history.

(56) **References Cited**

U.S. PATENT DOCUMENTS

D696,020	S	*	12/2013	Hegemann	.....	D4/106
D696,021	S	*	12/2013	Hegemann	.....	D4/106
D885,061	S	*	5/2020	Yang	.....	D4/101
D909,760	S	*	2/2021	Peng	.....	D4/105
D917,174	S	*	4/2021	Clark	.....	D4/106
D988,003	S	*	6/2023	Lin	.....	D4/110
2022/0273407	A1	*	9/2022	Zhou	.....	A46B 9/04

\* cited by examiner

*Primary Examiner* — Tamara L Hahn

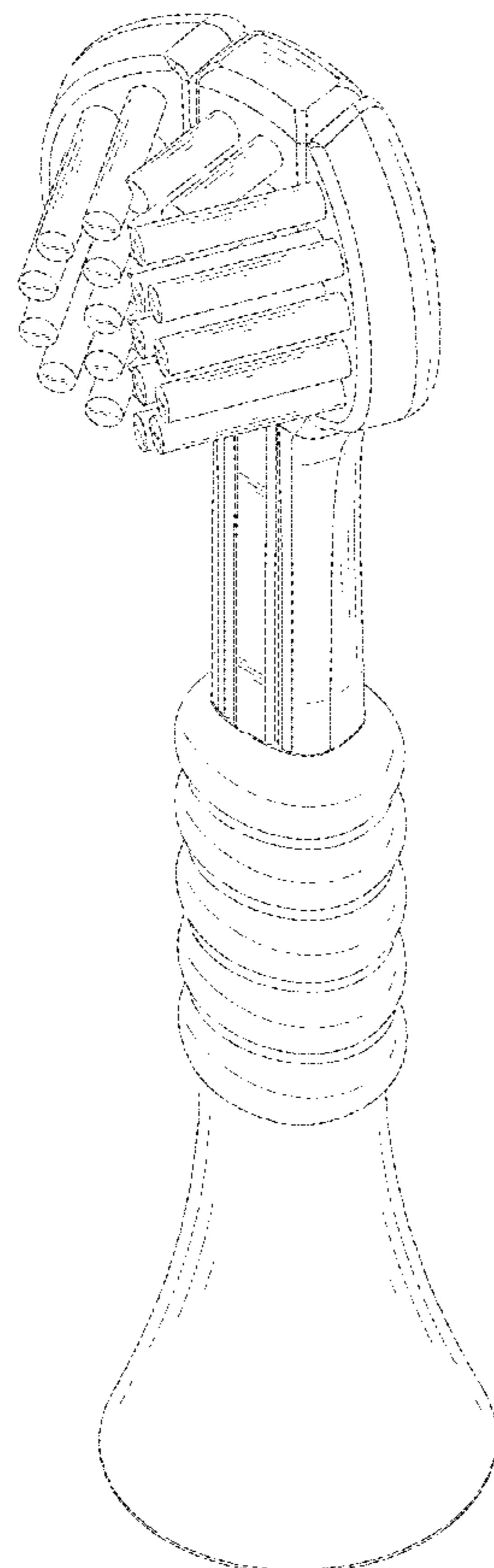
(57) **CLAIM**

The ornamental design for a toothbrush head, as shown and described.

**DESCRIPTION**

FIG. 1 is a front perspective view of a toothbrush head, showing my new design;  
FIG. 2 is a rear perspective view thereof;  
FIG. 3 is a front view thereof;  
FIG. 4 is a rear view thereof;  
FIG. 5 is a left side view thereof;  
FIG. 6 is a right side view thereof;  
FIG. 7 is an enlarged top plan view; and,  
FIG. 8 is an enlarged bottom plan view.  
The broken lines in the drawings illustrate the portions of the toothbrush head, which form no part of the claimed design.

**1 Claim, 8 Drawing Sheets**



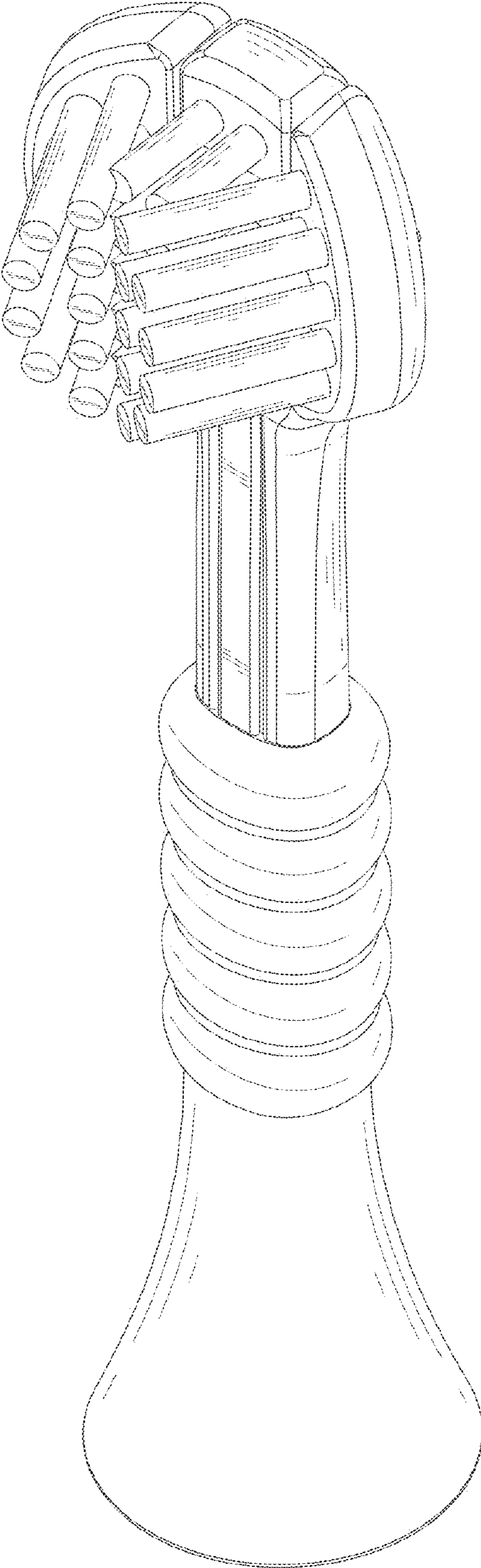


FIG. 1

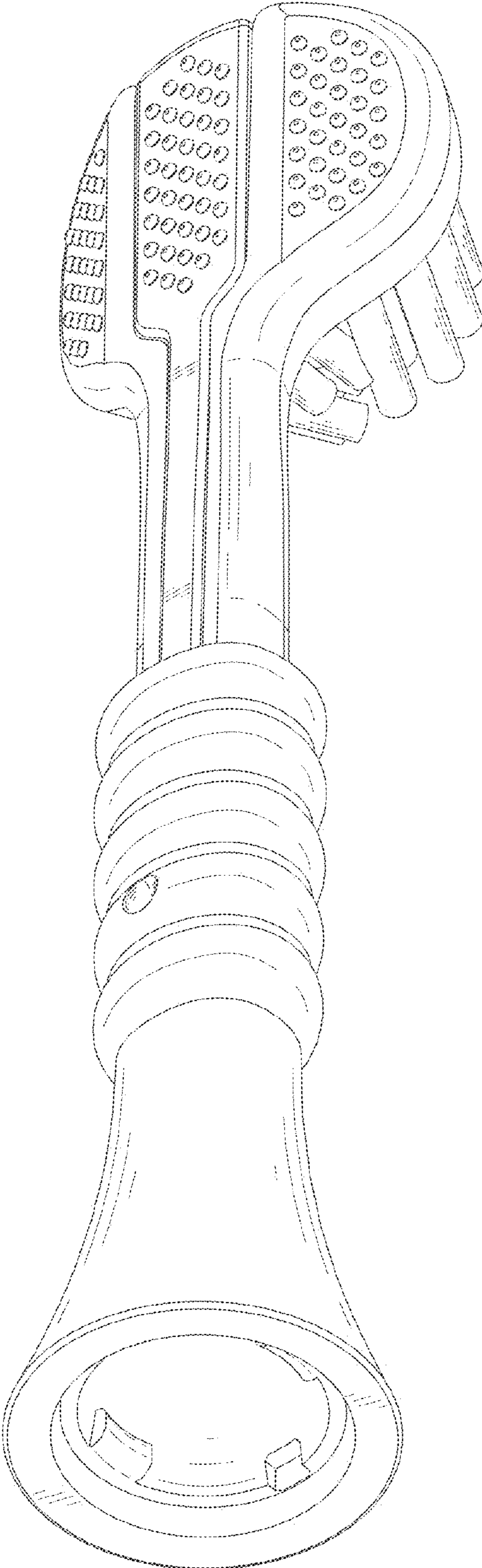


FIG. 2

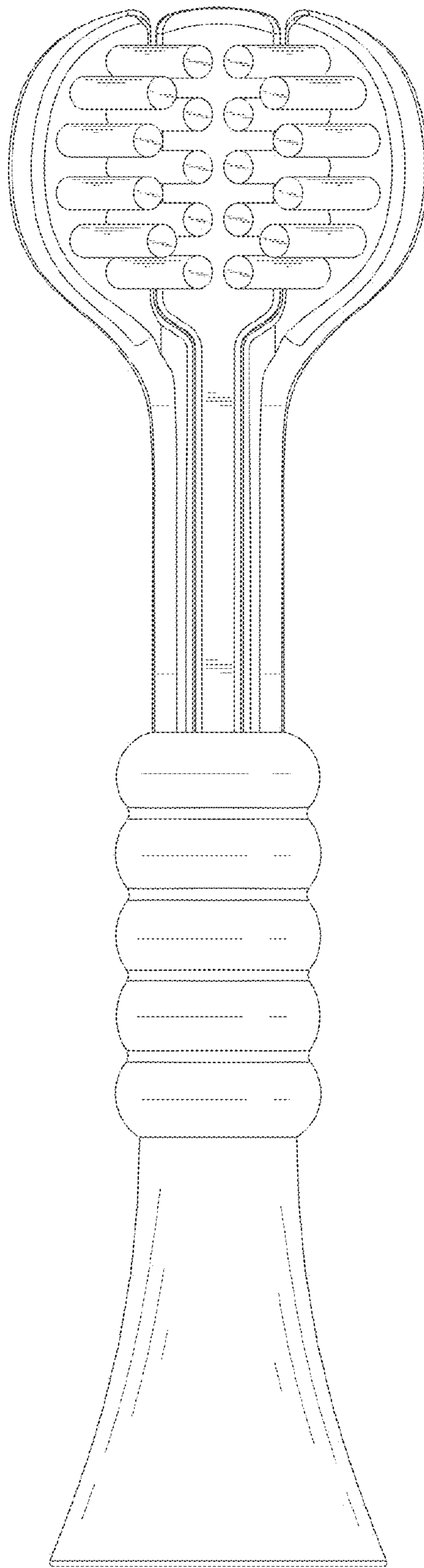


FIG. 3

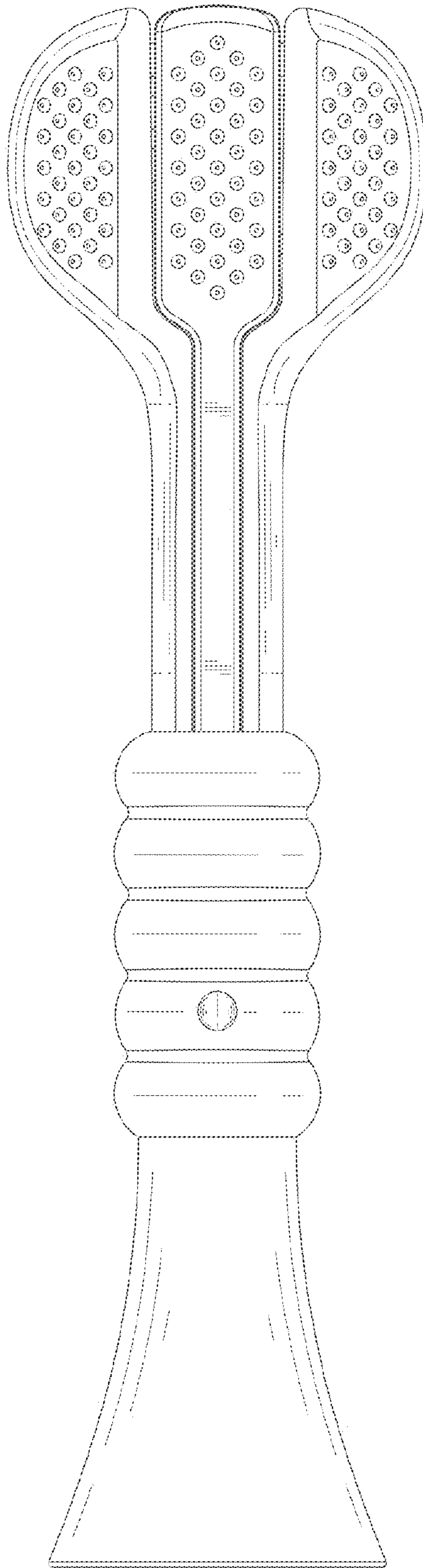


FIG. 4

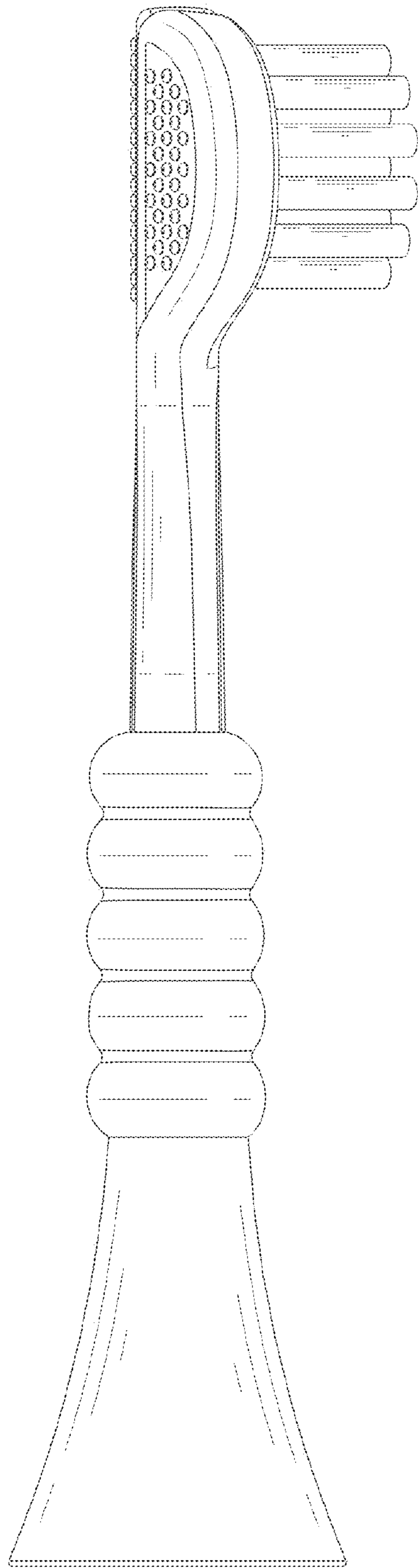


FIG. 5

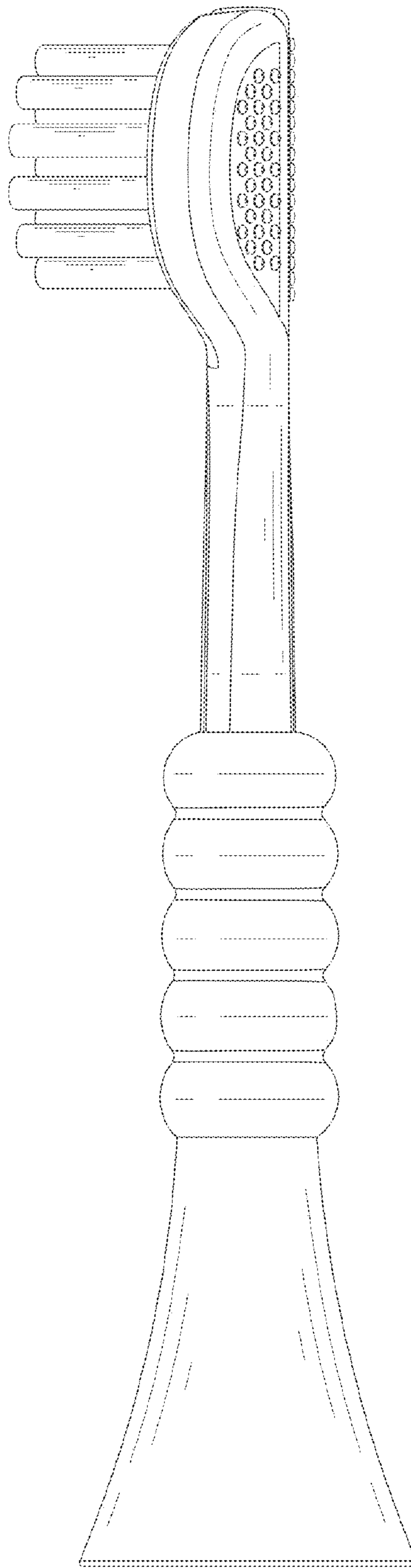


FIG. 6

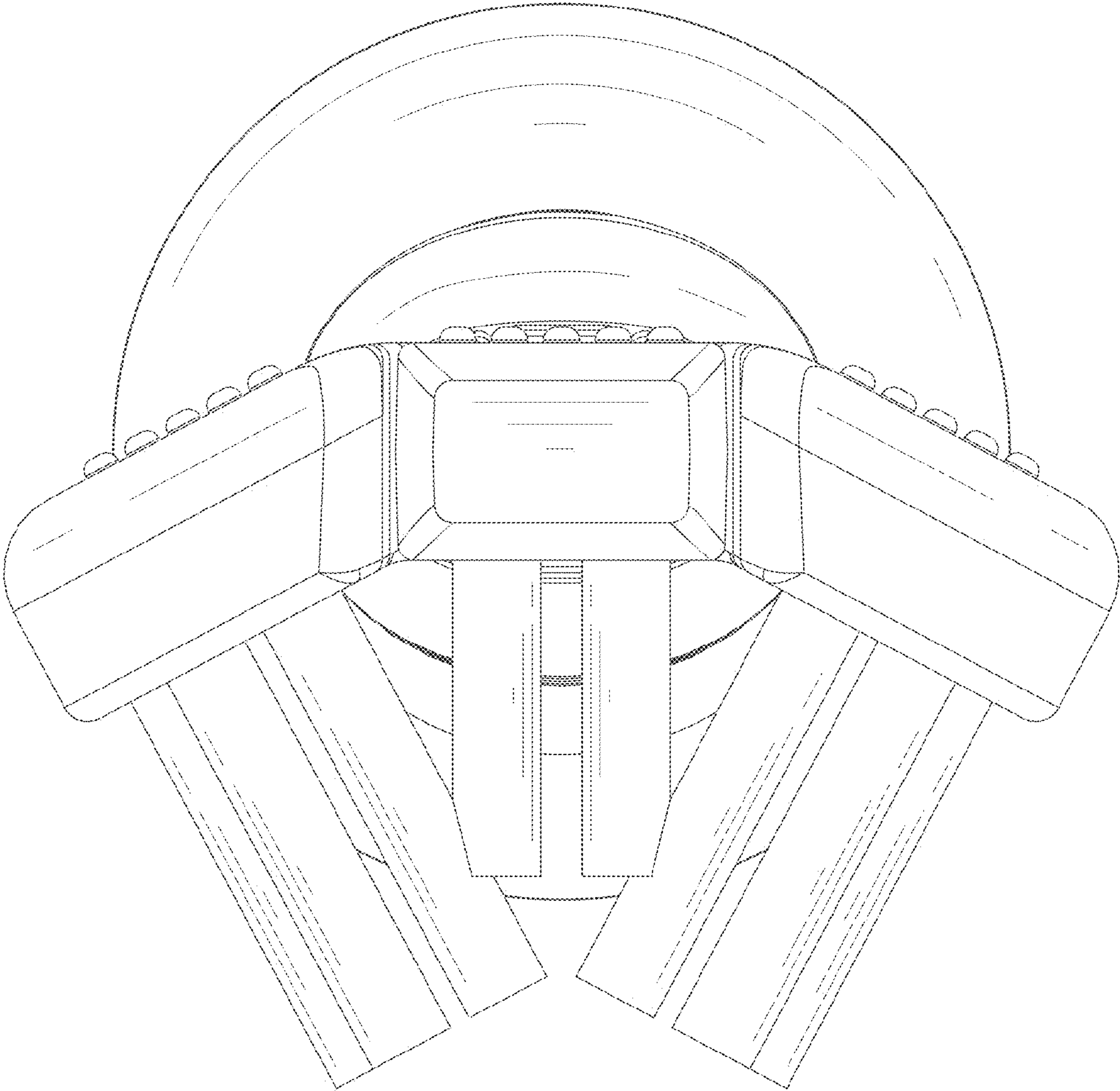


FIG. 7

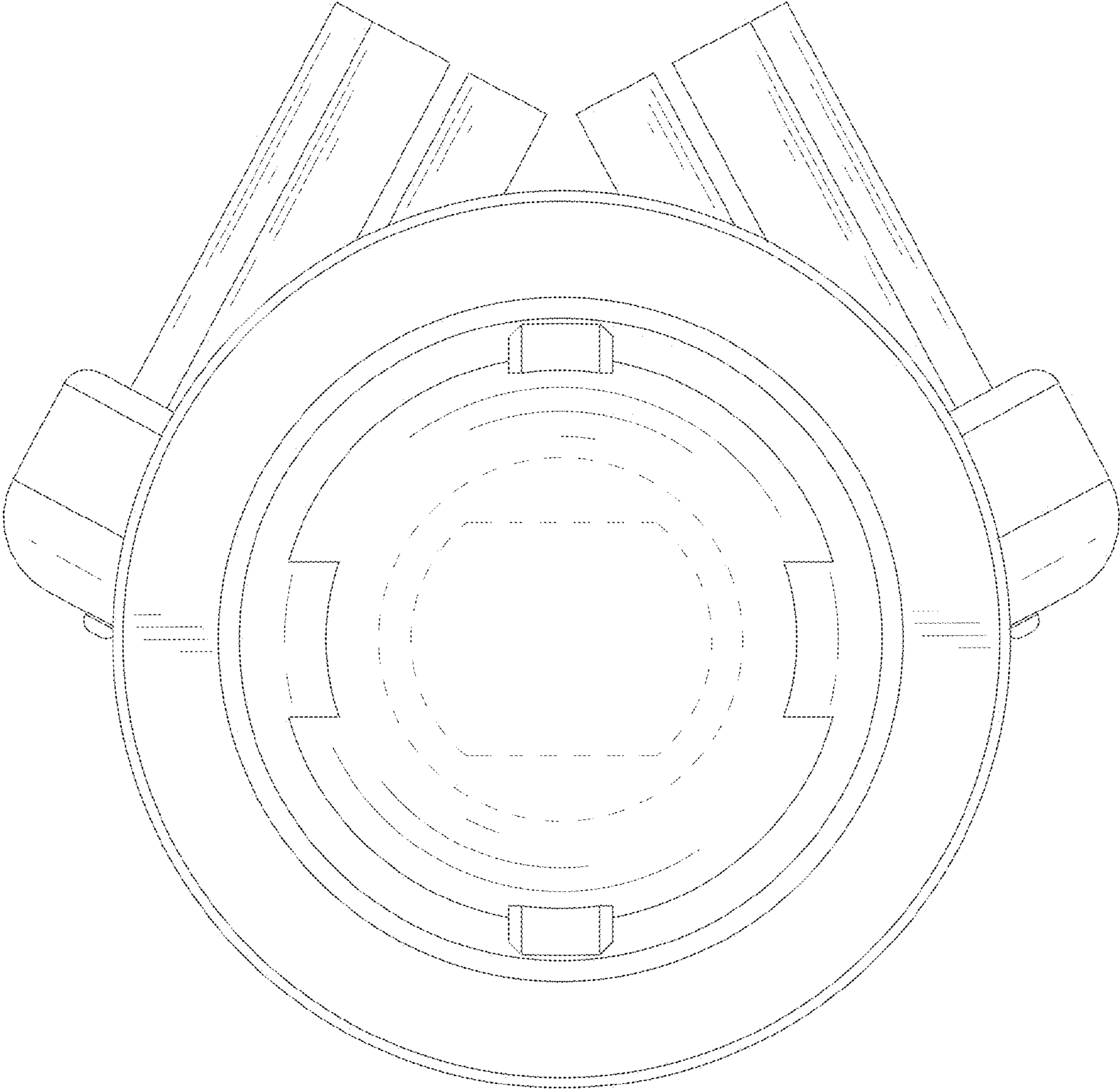


FIG. 8