



US0D1122412S

(12) **United States Design Patent** (10) **Patent No.:** **US D1,122,412 S**  
**Hartis** (45) **Date of Patent:** **\*\* Apr. 14, 2026**

(54) **FAUCET SPOUT**  
(71) Applicant: **DELTA FAUCET COMPANY,**  
Indianapolis, IN (US)  
(72) Inventor: **Peyton Michele Hartis,** Sachse, TX  
(US)  
(73) Assignee: **DELTA FAUCET COMPANY,**  
Indianapolis, IN (US)

D635,220 S \* 3/2011 Rubin ..... D23/238  
D635,648 S \* 4/2011 Schoenherr ..... D23/255  
D639,394 S \* 6/2011 Citterio ..... D23/238  
D652,899 S \* 1/2012 Citterio ..... D23/255  
D691,704 S \* 10/2013 Flowers ..... D23/238  
D713,016 S \* 9/2014 Citterio ..... D23/255  
D734,433 S \* 7/2015 Sieger ..... D23/238  
D734,837 S \* 7/2015 Sieger ..... D23/242  
D754,296 S \* 4/2016 Lord ..... D23/238  
D754,825 S \* 4/2016 Lord ..... D23/255  
D803,987 S \* 11/2017 Ruzza ..... D23/238  
D813,354 S \* 3/2018 Garland ..... D23/255

(Continued)

(\*\*) Term: **15 Years**

(21) Appl. No.: **29/972,876**

(22) Filed: **Nov. 13, 2024**

(51) **LOC (15) Cl.** ..... **23-01**

(52) **U.S. Cl.**  
USPC ..... **D23/238**

(58) **Field of Classification Search**  
USPC ..... D23/238–258, 213, 223, 224, 226  
CPC ..... E03C 1/0404; E03C 1/08; E03C 1/021;  
E03C 1/04; E03C 2001/0415; E03C  
2001/0414; E03C 2201/30; E03C 1/042;  
E03C 1/057; E03C 1/182; E03C 2201/50;  
Y10T 137/9464; B05B 1/22  
See application file for complete search history.

(56) **References Cited**

**U.S. PATENT DOCUMENTS**

D366,099 S \* 1/1996 Hill ..... D23/255  
D368,958 S \* 4/1996 Hill ..... D23/255  
D472,308 S \* 3/2003 Hundley ..... D23/257  
D524,426 S \* 7/2006 Sallick ..... D23/255  
D534,245 S \* 12/2006 Egli ..... D23/238  
D574,063 S \* 7/2008 Tsai ..... D23/255  
D580,527 S \* 11/2008 Zhang ..... D23/255  
D582,525 S \* 12/2008 Downey ..... D23/255  
D589,120 S \* 3/2009 Tsai ..... D23/238  
D603,019 S \* 10/2009 Flowers ..... D23/238  
D603,020 S \* 10/2009 Flowers ..... D23/238  
D607,974 S \* 1/2010 Flowers ..... D23/255

**OTHER PUBLICATIONS**

Gessi—Inciso collection highlight, announced in YouTube on Jul. 8, 2021[online], frame(s) [0:01/5:26] [site visited Nov. 12, 2025], Available from the internet URL: <https://www.youtube.com/watch?v=XQkFL9bVwOY> (Year: 2021).\*

*Primary Examiner* — George J Ulsh  
*Assistant Examiner* — Kathryn Elizabeth Zieno  
(74) *Attorney, Agent, or Firm* — Jeffrey L. Doyle

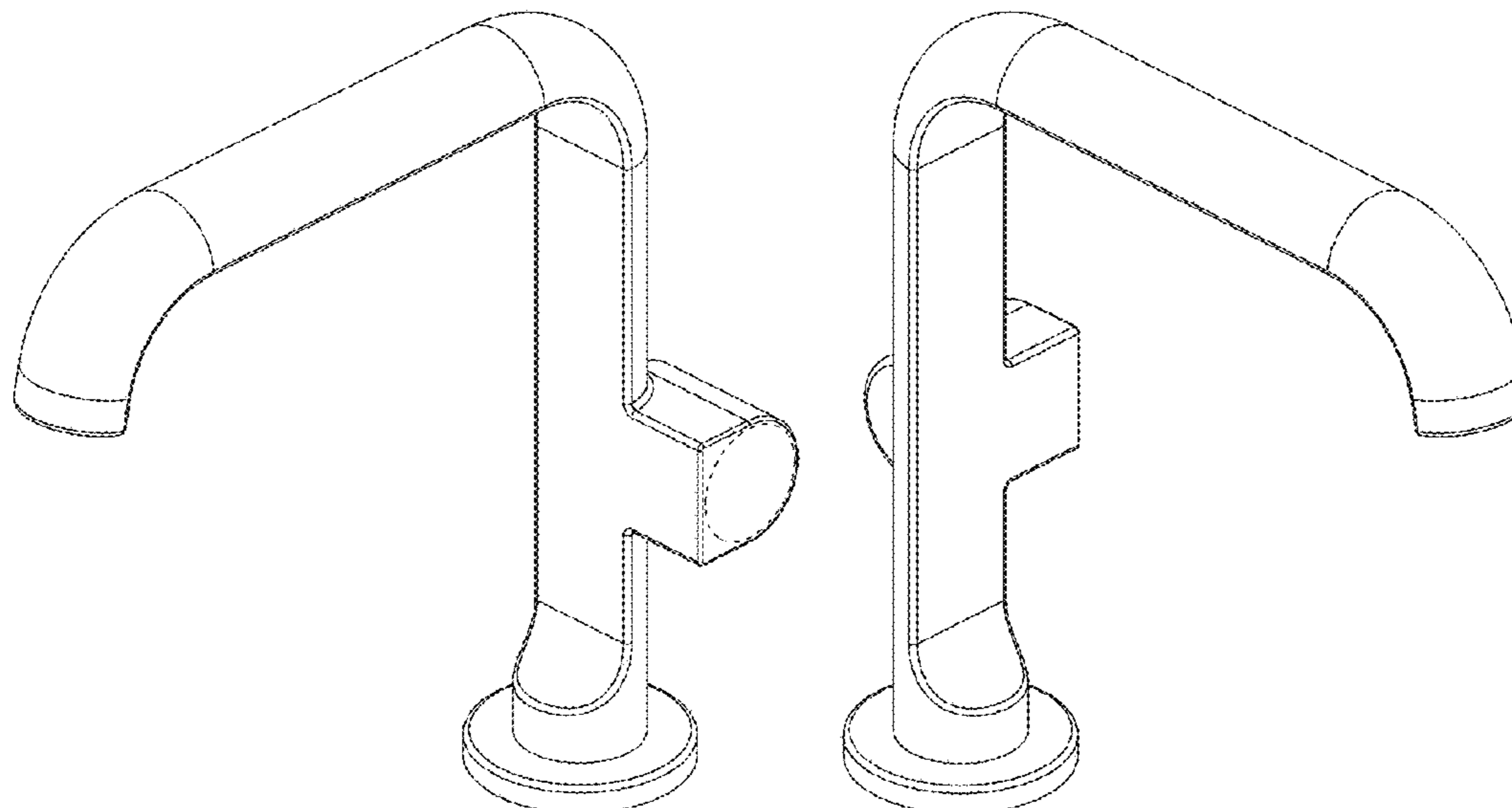
(57) **CLAIM**

The ornamental design for a faucet spout as shown and described.

**DESCRIPTION**

FIG. 1 is a front perspective view of a faucet spout showing my new design;  
FIG. 2 is another front perspective view thereof;  
FIG. 3 is a front elevational view thereof;  
FIG. 4 is a rear view thereof;  
FIG. 5 is a right side view thereof;  
FIG. 6 is a left side view thereof;  
FIG. 7 is a bottom view thereof; and,  
FIG. 8 is a top plan view thereof.  
The broken lines in the drawings denote the boundaries of the claim and form no part thereof.

**1 Claim, 4 Drawing Sheets**



(56)

References Cited

U.S. PATENT DOCUMENTS

D846,077	S	*	4/2019	Liu	.....	D23/238
D870,865	S	*	12/2019	Eads	.....	D23/255
D877,863	S	*	3/2020	Rockwell	.....	D23/255
D883,441	S	*	5/2020	Carr	.....	D23/242
D890,303	S	*	7/2020	Potter	.....	D23/238
D905,202	S	*	12/2020	Zhang	.....	D23/238
D914,147	S	*	3/2021	Flaig	.....	D23/238
D915,553	S	*	4/2021	Seum	.....	D23/238
D915,562	S	*	4/2021	Seum	.....	D23/255
D944,935	S	*	3/2022	Park	.....	D23/242
D954,191	S	*	6/2022	Park	.....	D23/238
D969,977	S	*	11/2022	Garland	.....	D23/255
D982,724	S	*	4/2023	Stoler	.....	D23/255
D986,385	S	*	5/2023	Garland	.....	D23/238
D991,409	S	*	7/2023	Garland	.....	D23/255
D993,364	S	*	7/2023	Stoler	.....	D23/255
D994,079	S	*	8/2023	Garland	.....	D23/242
D994,080	S	*	8/2023	Garland	.....	D23/242
D994,085	S	*	8/2023	Garland	.....	D23/255
D996,573	S	*	8/2023	Garland	.....	D23/238
D1,012,540	S	*	1/2024	Stoler	.....	D23/255
D1,013,124	S	*	1/2024	Garland	.....	D23/255
D1,019,900	S	*	3/2024	Laczak	.....	D23/242
D1,029,199	S	*	5/2024	Laczak	.....	D23/242
D1,066,588	S	*	3/2025	Hartis	.....	D23/242
D1,067,380	S	*	3/2025	Hartis	.....	D23/238
D1,067,381	S	*	3/2025	Hartis	.....	D23/238
D1,068,035	S	*	3/2025	Hartis	.....	D23/255
D1,070,018	S	*	4/2025	Park Borris	.....	D23/255
D1,073,872	S	*	5/2025	Hartis	.....	D23/242
2009/0200794	A1	*	8/2009	Esche	.....	E03C 1/0404 285/148.6

\* cited by examiner

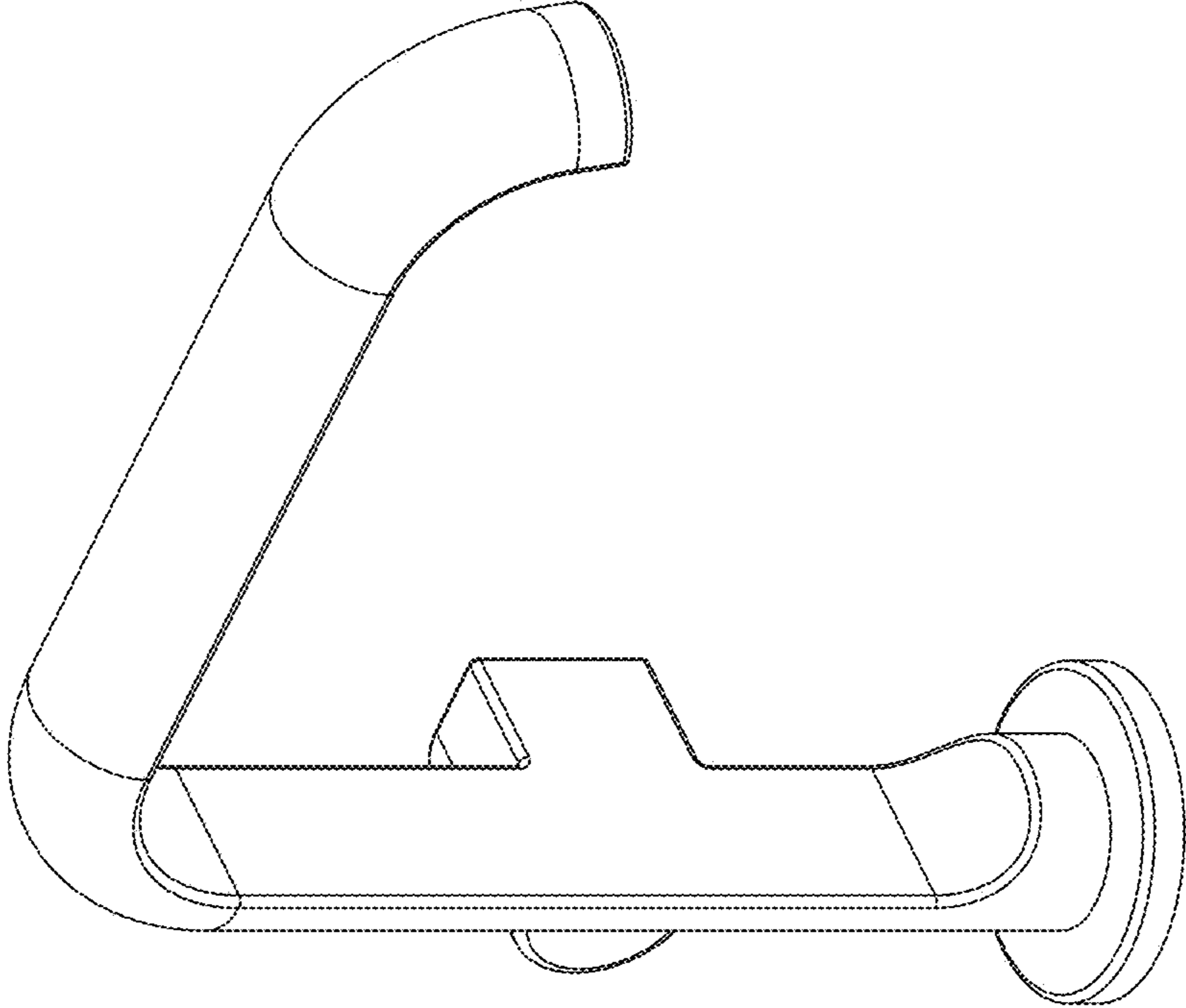


FIG. 1

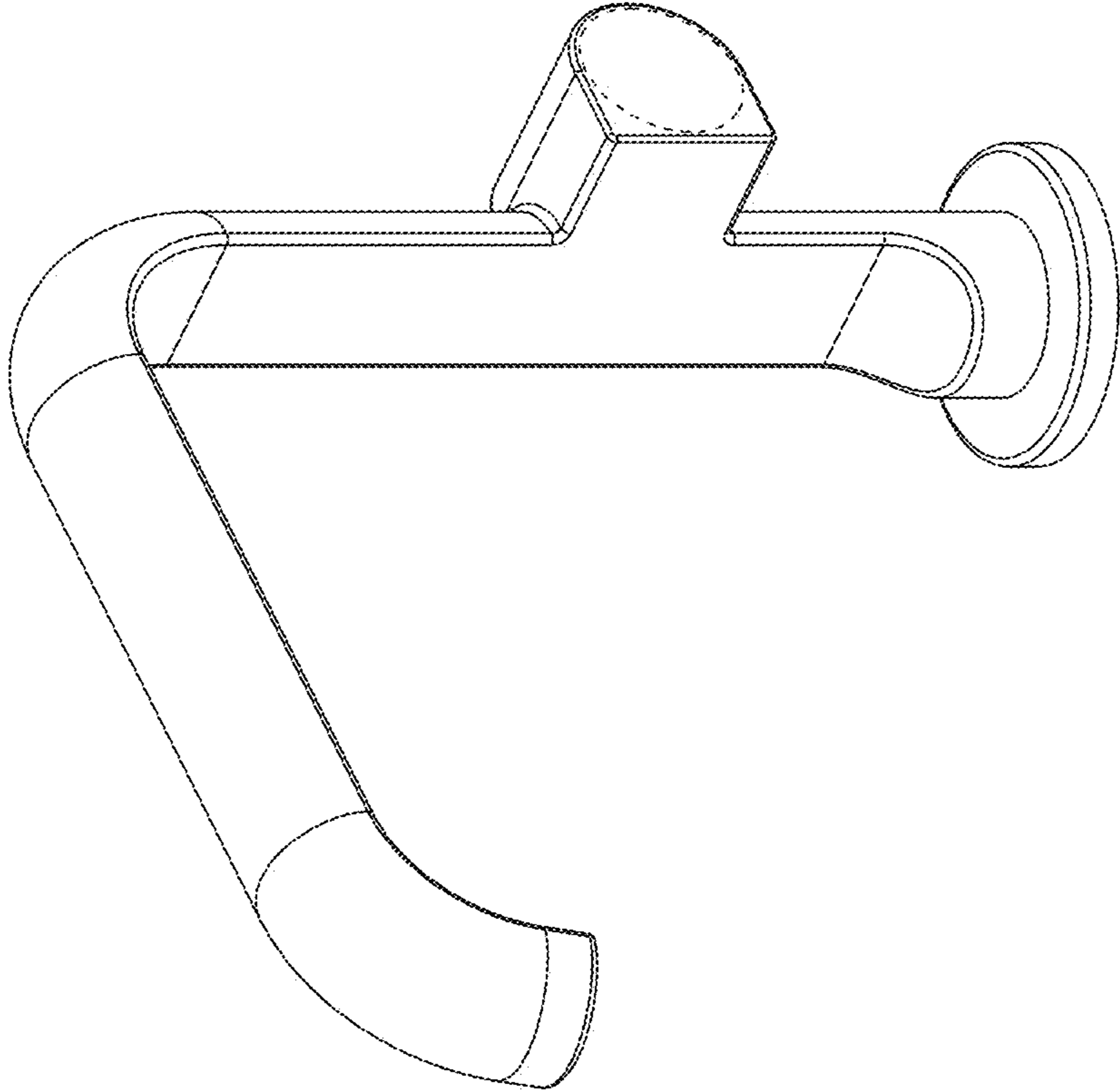


FIG. 2

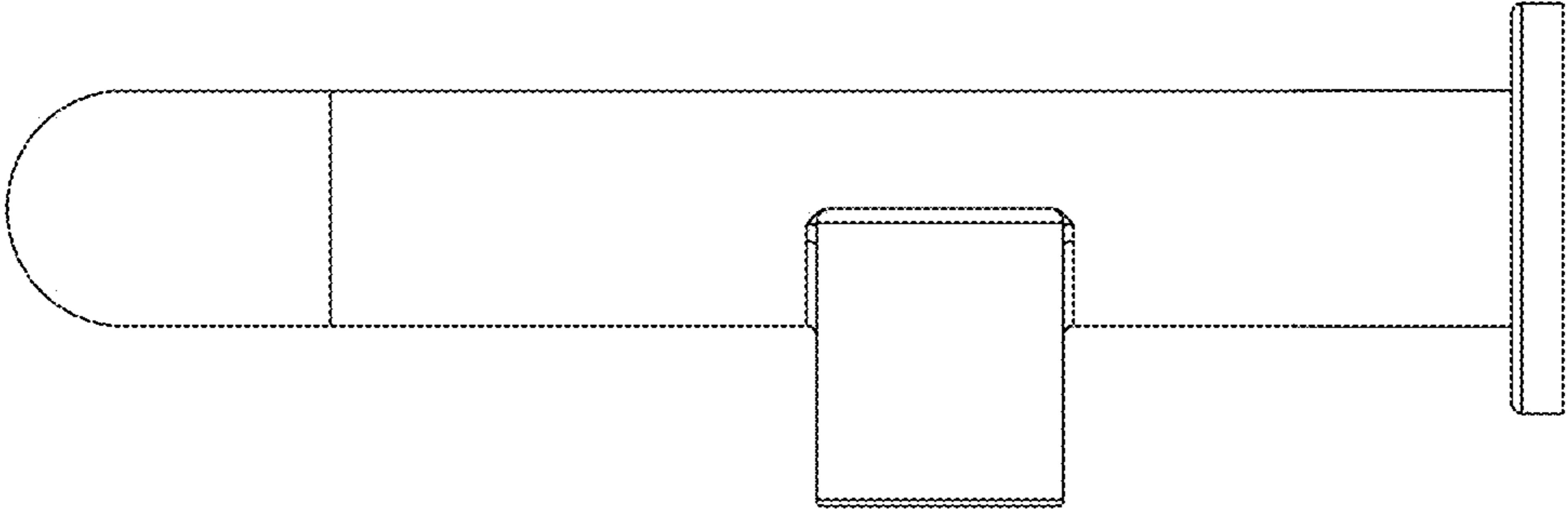


FIG. 4

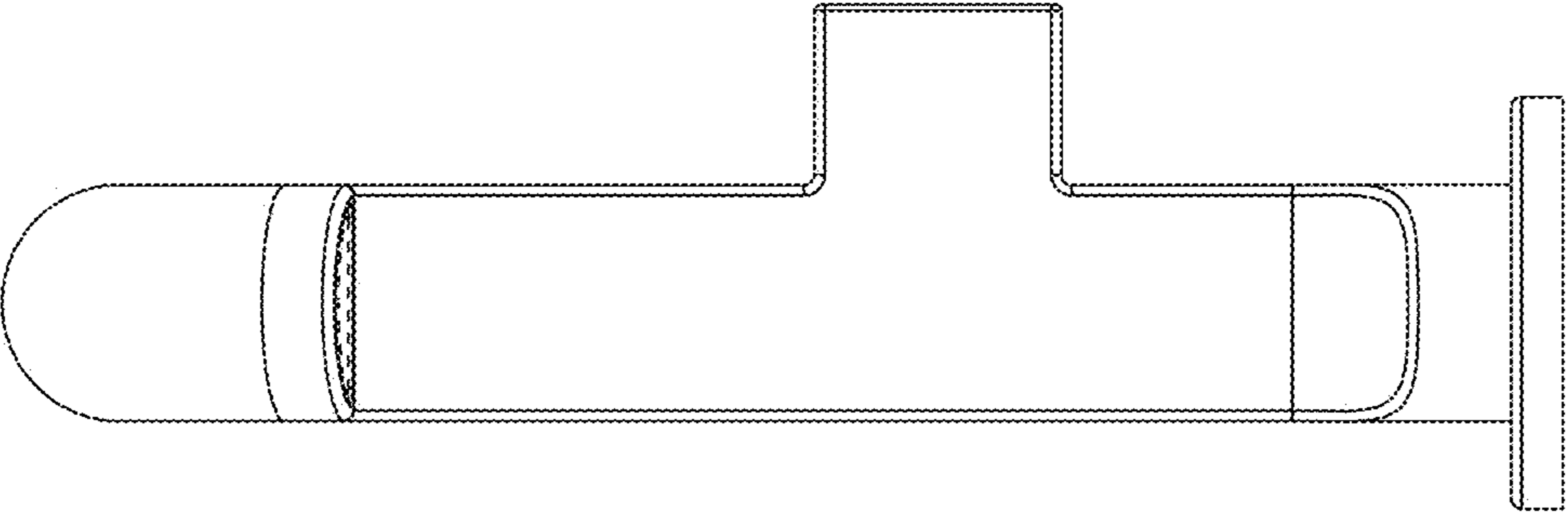


FIG. 3

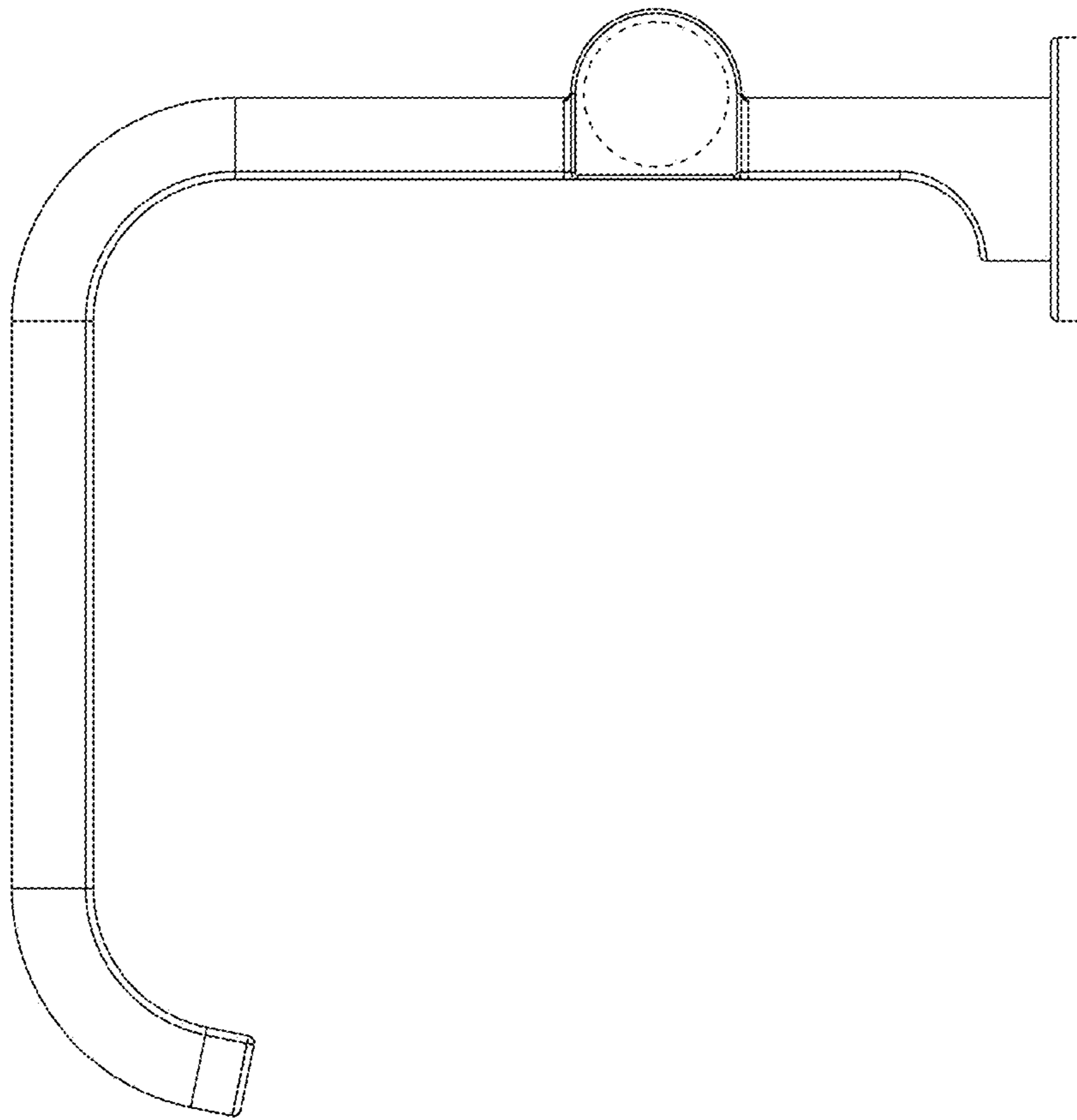


FIG. 6

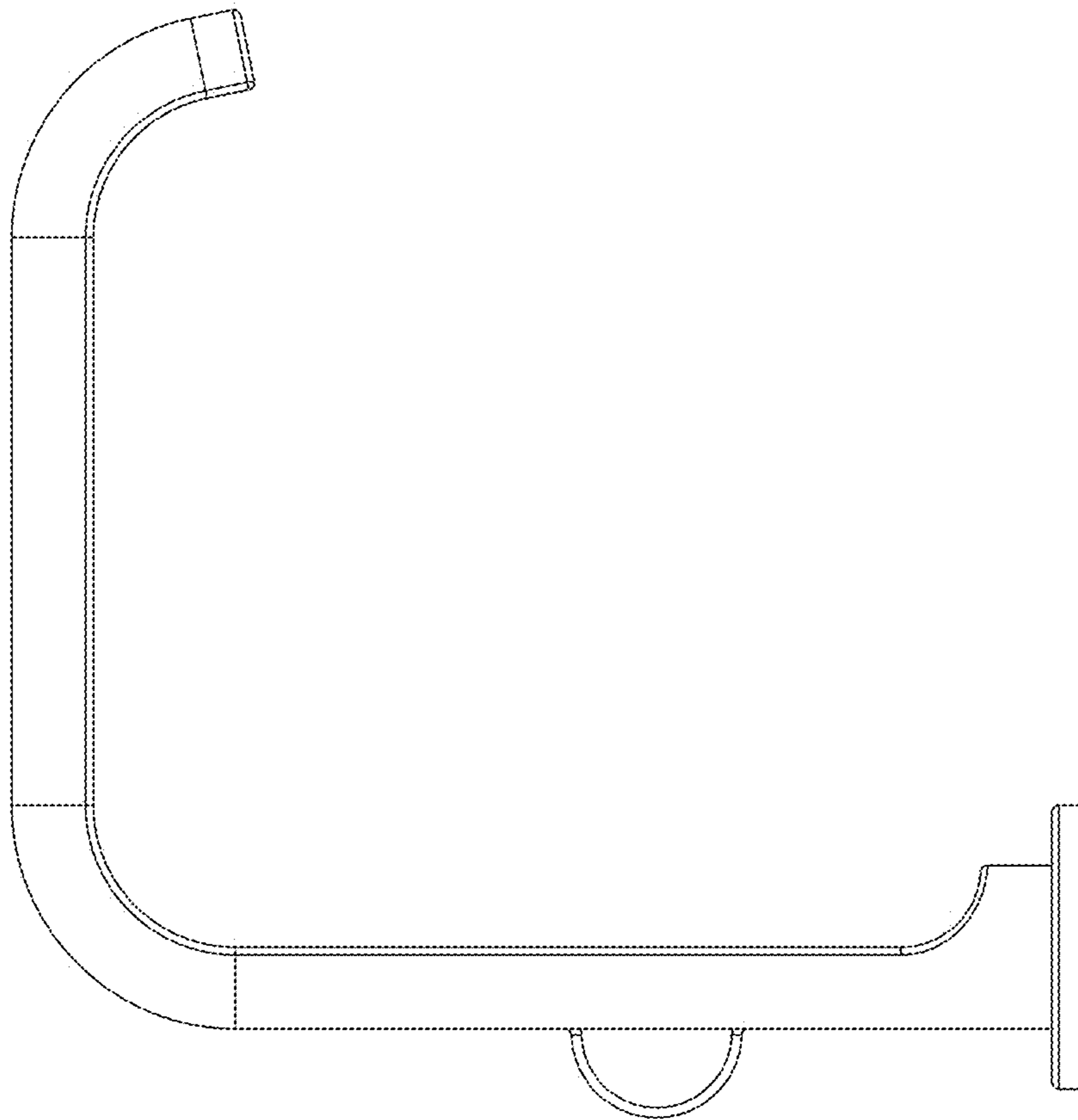


FIG. 5

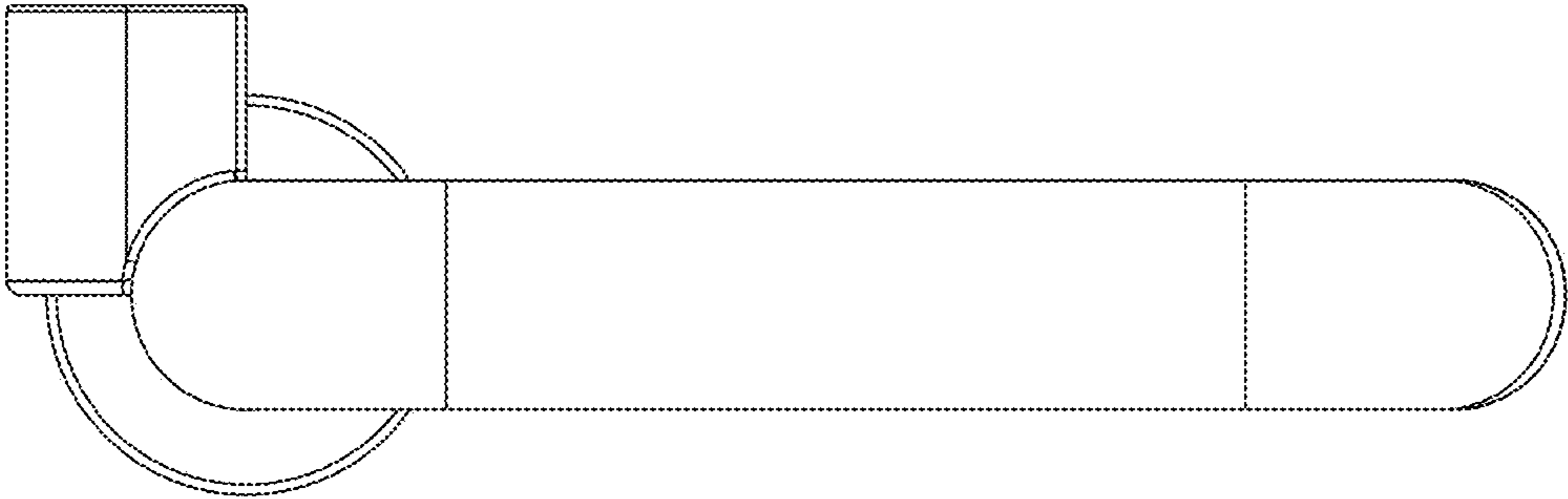


FIG. 8

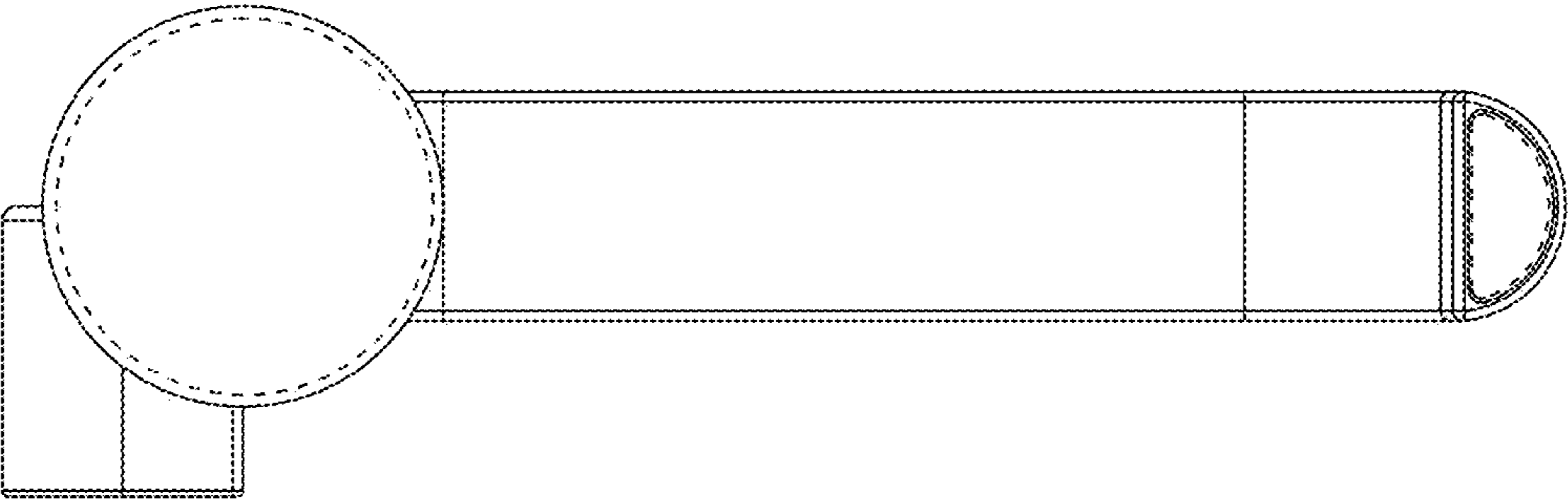


FIG. 7