



US0D1122364S

(12) **United States Design Patent** (10) **Patent No.:** **US D1,122,364 S**
Christensen et al. (45) **Date of Patent:** **** Apr. 14, 2026**

(54) **MODEL VEHICLE STEERING BLOCK**

FOREIGN PATENT DOCUMENTS

(71) Applicant: **TRAXXAS, L.P.**, McKinney, TX (US)

CN 303934573 11/2016
GB 6307609 9/2023

(72) Inventors: **Casey Christen Jens Christensen**,
Trenton, TX (US); **Jory Sprowl**, Howe,
TX (US); **Skylar Hagler**, Anna, TX
(US); **Randy Perez**, McKinney, TX
(US); **Otto Karl Allmendinger**,
Rowlett, TX (US); **Adam Cole Ewing**,
McKinney, TX (US); **Kent Poteet**,
Lucas, TX (US)

(Continued)

OTHER PUBLICATIONS

Arma Steering Block, posted Oct. 3, 2018 [online], [retrieved Feb. 18, 2026]. Retrieved from internet, <https://www.amazon.com/Arma-AR330523-Steering-Block-BLX/dp/B07HZ45K3S> (Year: 2018).*

(Continued)

(73) Assignee: **TRAXXAS, L.P.**, McKinney, TX (US)

Primary Examiner — Erich G Herbermann

(**) Term: **15 Years**

Assistant Examiner — Alisha K Miles

(21) Appl. No.: **29/988,035**

(74) *Attorney, Agent, or Firm* — Daryl R. Wright; Greg Carr

(22) Filed: **Jan. 29, 2025**

(51) **LOC (15) Cl.** **21-01**

(57) **CLAIM**

(52) **U.S. Cl.**
USPC **D21/561**; D21/495

The ornamental design for a model vehicle steering block as shown and described.

(58) **Field of Classification Search**
USPC D21/561, 495, 483, 562, 533; D12/169,
D12/177, 160, 317, 159
CPC A63H 17/262; A63H 17/14; A63H 17/266;
A63H 18/08; B60G 2300/20; B60G
2300/07; B60G 2206/124; B60G 7/001;
B60G 2200/144

DESCRIPTION

See application file for complete search history.

FIG. 1 is an upper, left, front perspective view of a model vehicle steering block showing our new design; FIG. 2 is an upper, right, rear perspective view thereof; FIG. 3 is a lower, right, front perspective view thereof; FIG. 4 is a lower, left, rear perspective view thereof; FIG. 5 is a front elevation view thereof; FIG. 6 is a rear elevation view thereof; FIG. 7 is an upper plan view thereof; FIG. 8 is a lower plan view thereof; FIG. 9 is a right-side elevation view thereof; and, FIG. 10 is a left-side elevation view thereof.

Only the left-side model vehicle steering block is shown. The right-side model vehicle steering block is a mirror image of the shown model vehicle steering block.

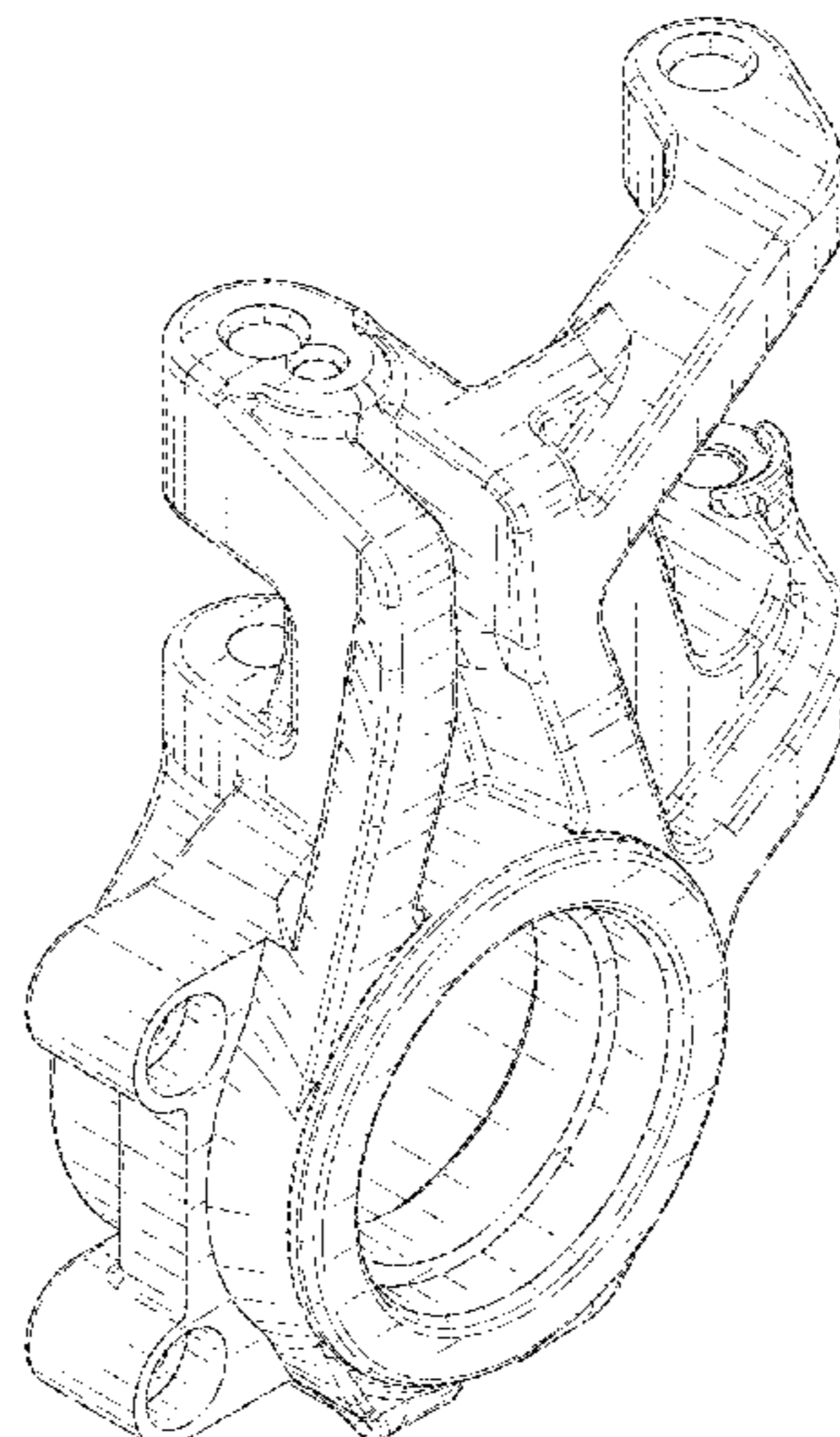
(56) **References Cited**

U.S. PATENT DOCUMENTS

D304,473 S 11/1989 Poulsen
D605,985 S 12/2009 Pennala
D686,952 S 7/2013 Rau et al.
D772,126 S * 11/2016 Sun D12/177
D822,125 S * 7/2018 Ewing D21/561
D868,171 S 11/2019 Wood
D891,998 S 8/2020 Smith
D900,160 S 10/2020 Hudnall et al.

(Continued)

1 Claim, 8 Drawing Sheets



(56)

References Cited

U.S. PATENT DOCUMENTS

D902,091	S	11/2020	Ewing et al.	
D923,115	S	6/2021	Ewing et al.	
D923,722	S *	6/2021	Ewing	D21/562
D947,290	S *	3/2022	Christensen	D12/159
D947,958	S *	4/2022	Christensen	D12/159
D947,959	S	4/2022	Christensen et al.	
D996,528	S *	8/2023	Christensen	D21/562
D1,014,657	S *	2/2024	Christensen	D21/562
D1,051,245	S *	11/2024	Ewing	D21/562
D1,053,277	S *	12/2024	Poteet	D21/562
D1,059,500	S	1/2025	Collins et al.	
D1,060,527	S *	2/2025	Ewing	D21/562
D1,074,857	S	5/2025	Wood et al.	
D1,094,587	S *	9/2025	Perez	D21/562
2008/0238015	A1 *	10/2008	Duddling	B60G 7/001 280/124.116
2009/0230650	A1 *	9/2009	Mayen	B60G 7/001 280/124.1
2023/0234438	A1 *	7/2023	Lee	B60G 3/20 180/6.48
2024/0124058	A1 *	4/2024	Jeon	B62D 7/1545

FOREIGN PATENT DOCUMENTS

GB	6408543	12/2024
WO	D095551-013	4/2017

OTHER PUBLICATIONS

Gpm Front Steering Blocks, posted unknown [online], [retrieved Feb. 18, 2026]. Retrieved from internet, <https://islandhobbynut.com/products/gpm-racing-7075-alloy-front-oversized-steering-blocks-for-traxxas-1-6-funco-pro-scale-2wd-sand-car-8s?variant=50630537642280> (Year: 2026).*

Treal Front Steering Knuckles, posted Dec. 10, 2025 [online], [retrieved Feb. 18, 2026]. Retrieved from internet, <https://www.>

[amaishobbies.com/treal-hobby-aluminum-front-steering-knuckles-for-traxxas-funco-pro-scale-tlhandcar-02/p1785086?abid=718369697891&abcampid=18971073973&abgro%](https://www.amaishobbies.com/treal-hobby-aluminum-front-steering-knuckles-for-traxxas-funco-pro-scale-tlhandcar-02/p1785086?abid=718369697891&abcampid=18971073973&abgro%) (Year: 2025).*

Xray; "T1R Raycer-Instruction Manual;" Xray Model Racing Cars, Trencin, Slovak Republic, Europe (admitted prior art).

Traxxas Sledge Left & Right Steering Blocks, as shown in www.hobbytown.com, Jul. 27, 2022, Part # TRA9537. (Year: 2022).

Traxxas Xrt Steering Blocks (2), as shown in www.hobbytown.com, May 16, 2023, Part # TRA7836. (Year: 2023).

Arrma 4S Blx Steering Block (2), as shown in www.hobbytown.com, Jul. 16, 2019, Part # ARA330523. (Year: 2019).

Aluminum Alloy Front Hubs Steering Blocks for Traxxas X-Maxx 1/5 Scale RC Car Upgrade Parts (Red), Zxyrc Store, as shown in www.amazon.com, Apr. 10, 2022. (Year: 2022).

Traxxas 7836-Gray Steering Blocks Alum Gray, as shown in www.rc-powerhouse.com, no date listed, date found Jun. 18, 2024. (Year: 2024).

Zxyrc Aluminum Alloy Front Hubs Steering Blocks for Traxxas X-Maxx 1/5 Scale RC Car Upgrade Parts (Black), Amazon Website, Earliest Comment Date: Oct. 23, 2023 [Website Visited Oct. 3, 2024], Available on the internet URL: <https://www.amazon.com/dp/B09HGMLF6K?th=1> (Year: 2023).

Aluminum Steering Blocks, Traxxas Website, No Available Date [Website Visited Oct. 3, 2024], Available on the Internet URL: <https://traxxas.com/products/parts/7836-GRAY> (Year: 2024).

Traxxas TRX-4M Aluminum Steering Blocks (Grey) (2), Part#: TRA9737-Blue, as shown in www.amaishobbies.com, May 17, 2023. (Year: 2023).

Yokomo YZ-4 Steering Block Set, Part#: YOKZ4-415SA, as shown in www.amaishobbies.com, Nov. 19, 2015. (Year: 2015).

Element RC Enduro Ifs 2 Steering Blocks, Part#: ASC42342, as shown in www.amaishobbies.com, Jul. 17, 2023. (Year: 2023).

Blue Aluminum Steering Blocks (L&R), Traxxas Website, No Available Date [Website Visited Sep. 4, 2025] Available on the Internet, URL <https://traxxas.com/10537-blue-blue-aluminum-steering-blocks-lr> (Year: 2025).

* cited by examiner

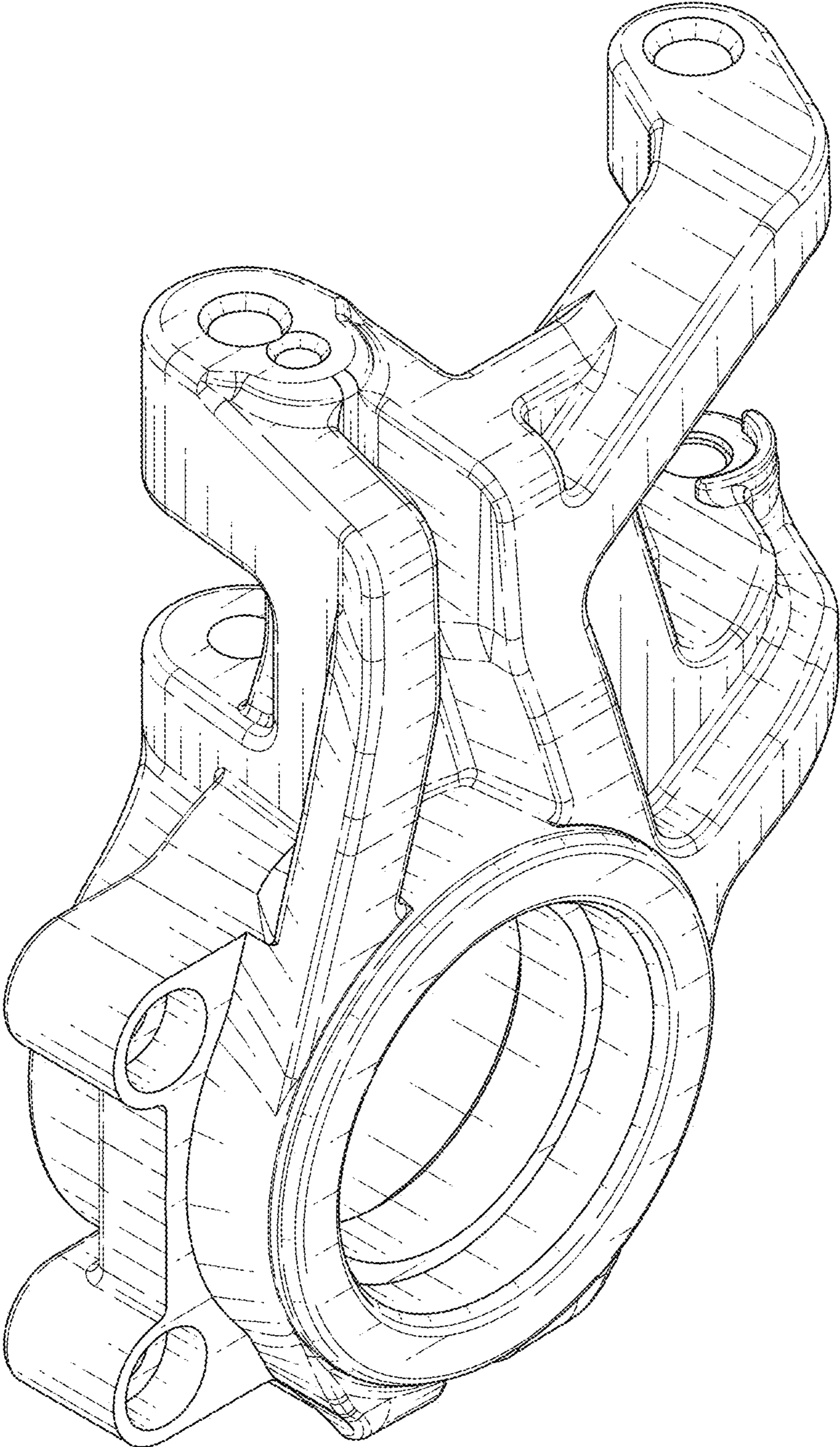


FIG. 1

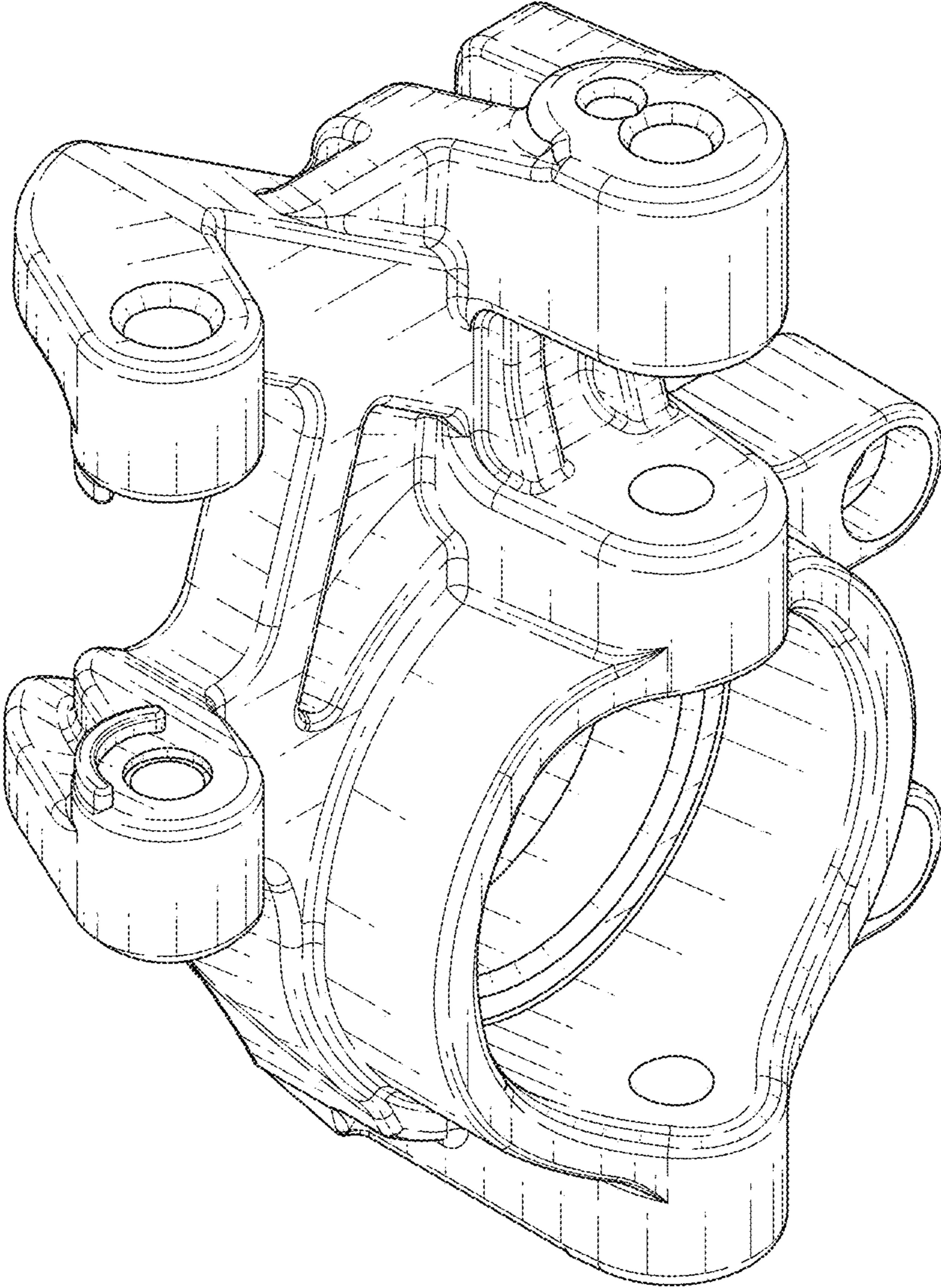


FIG. 2

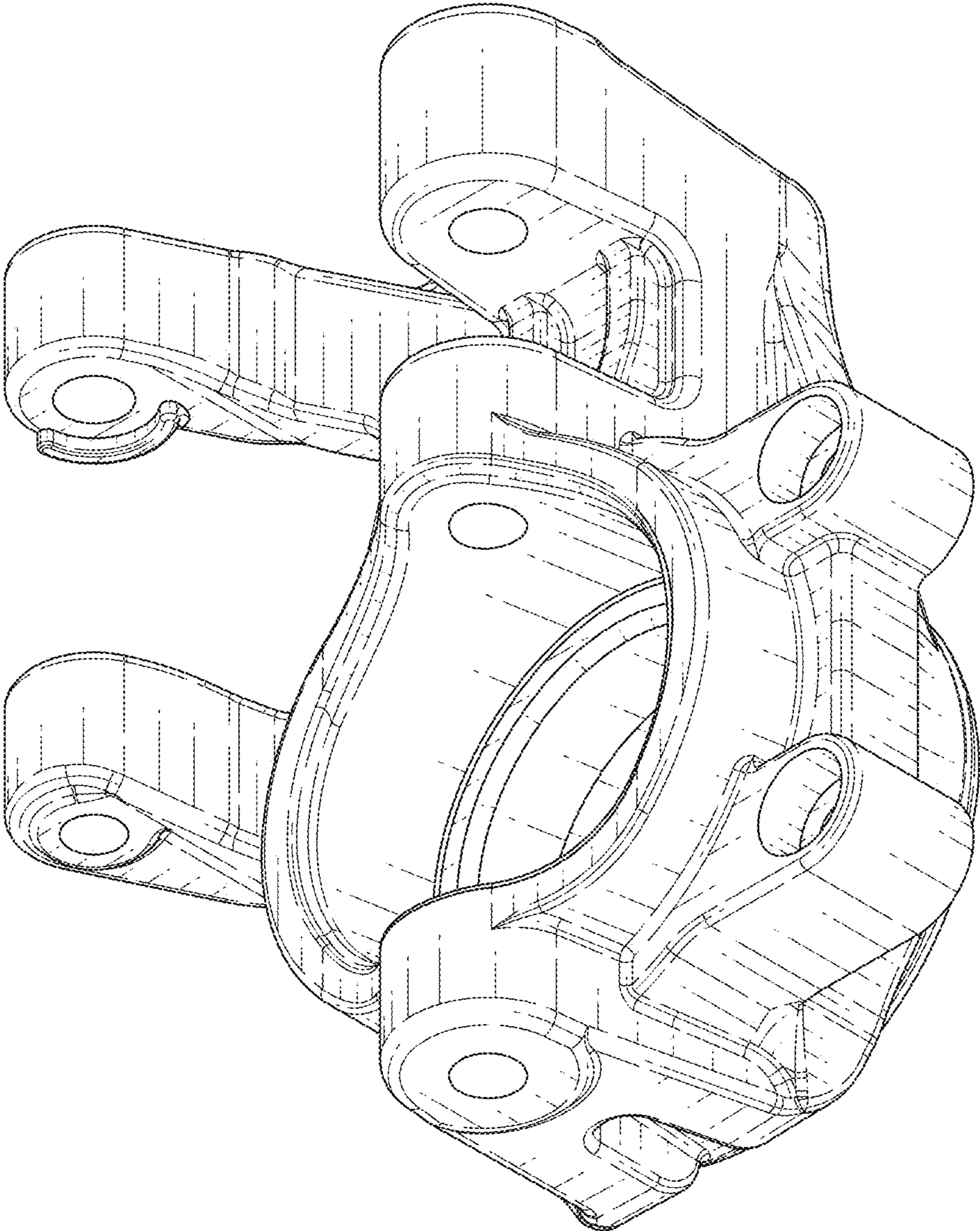


FIG. 3

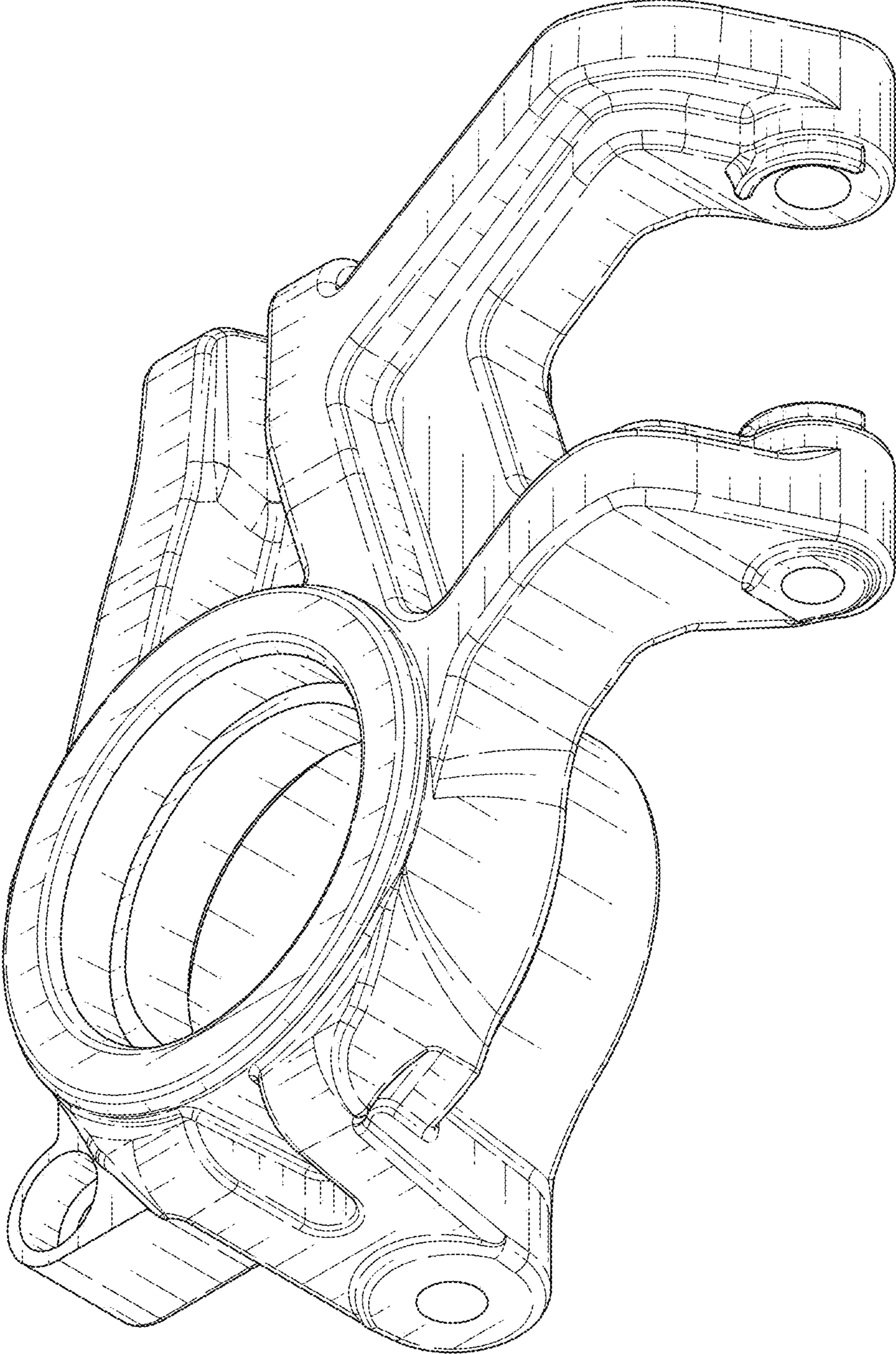


FIG. 4

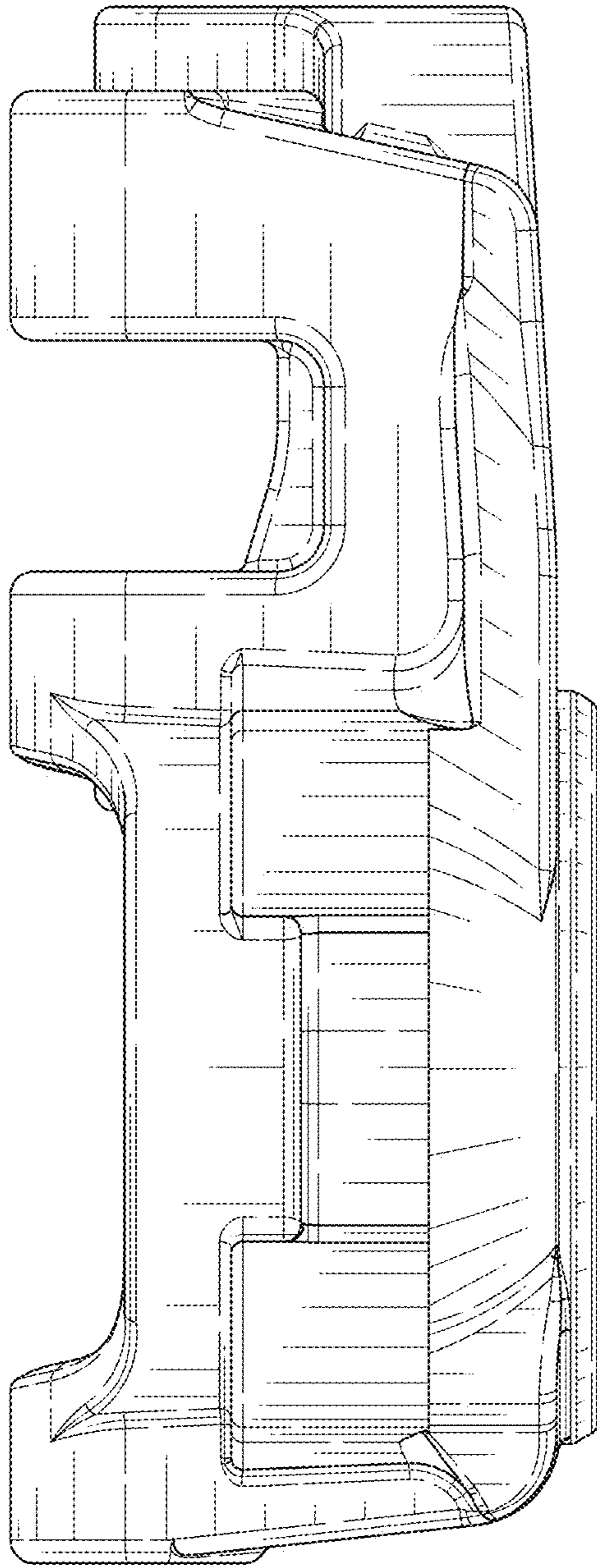


FIG. 5

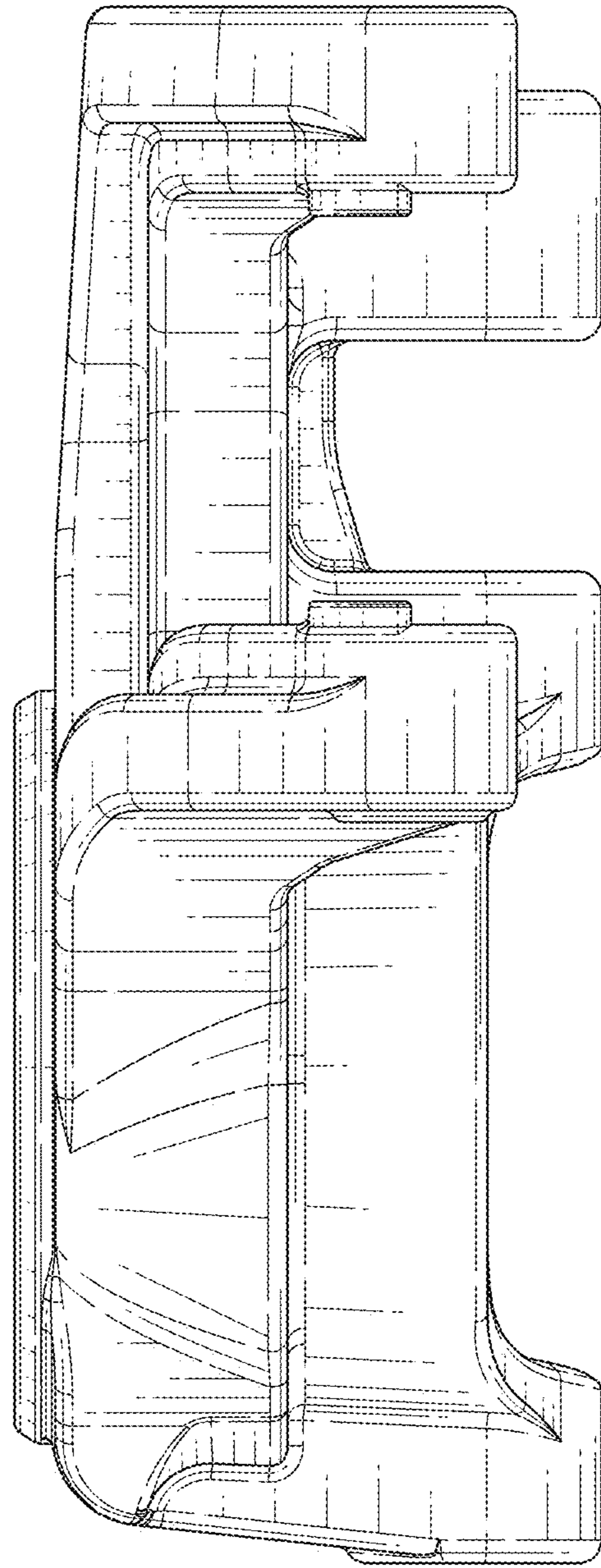


FIG. 6

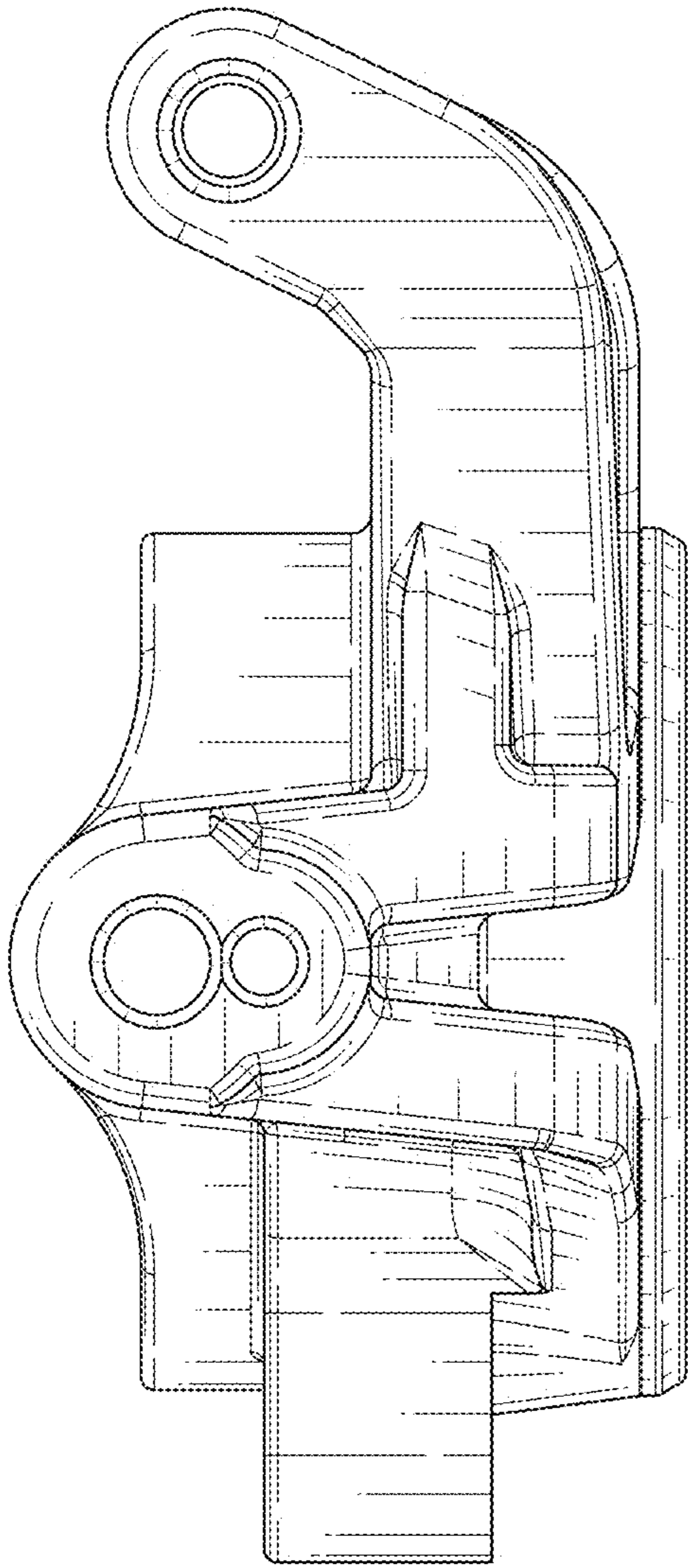


FIG. 7

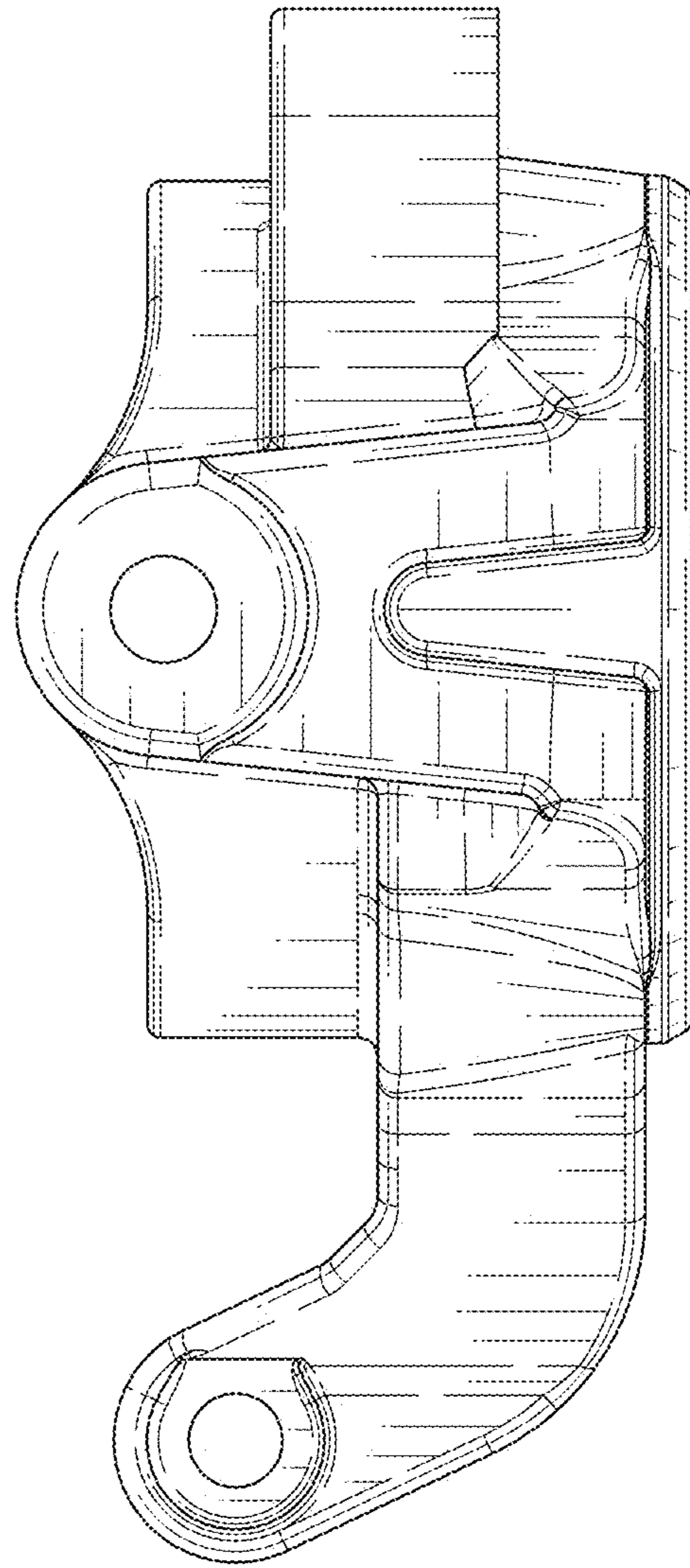


FIG. 8

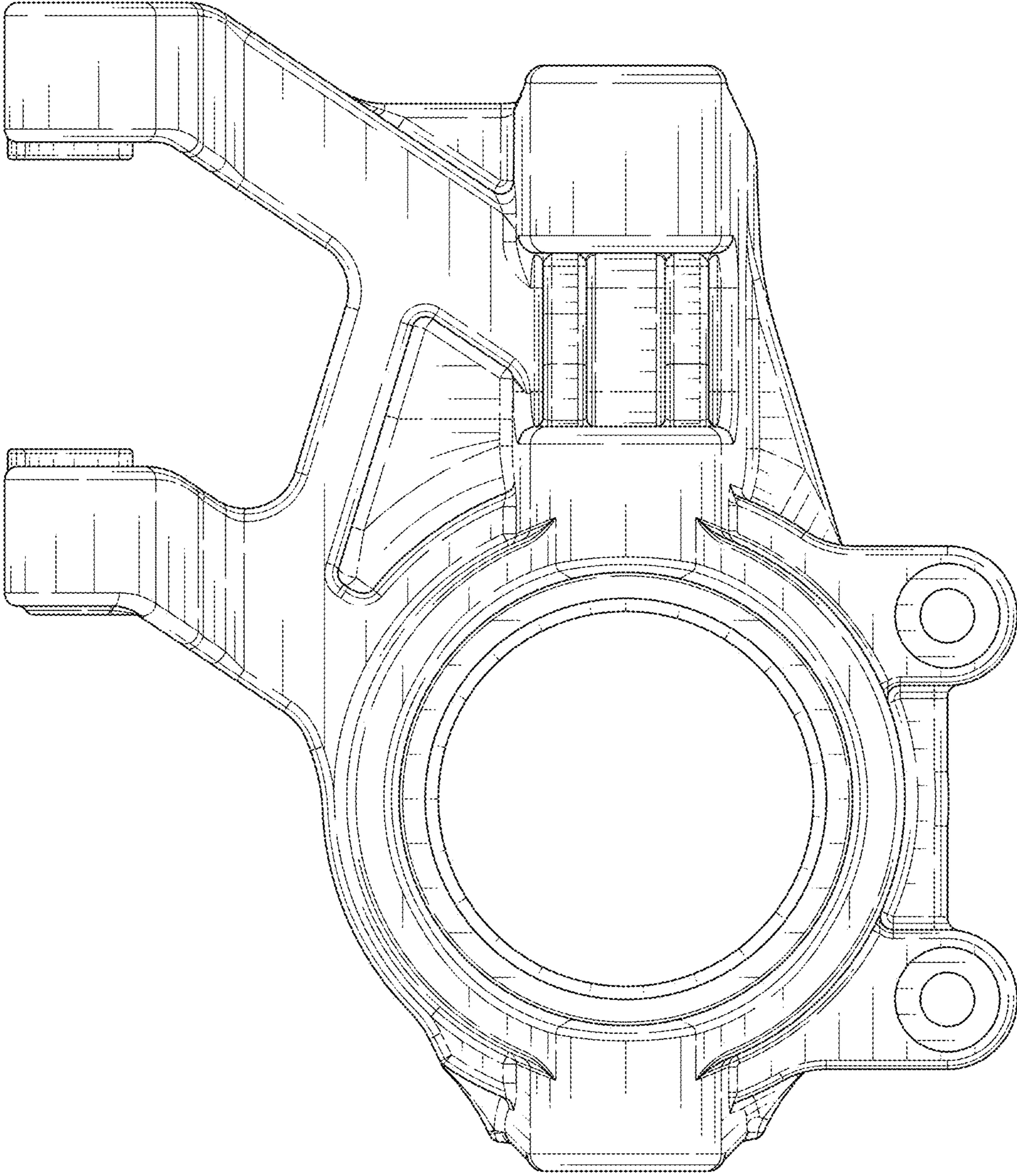


FIG. 9

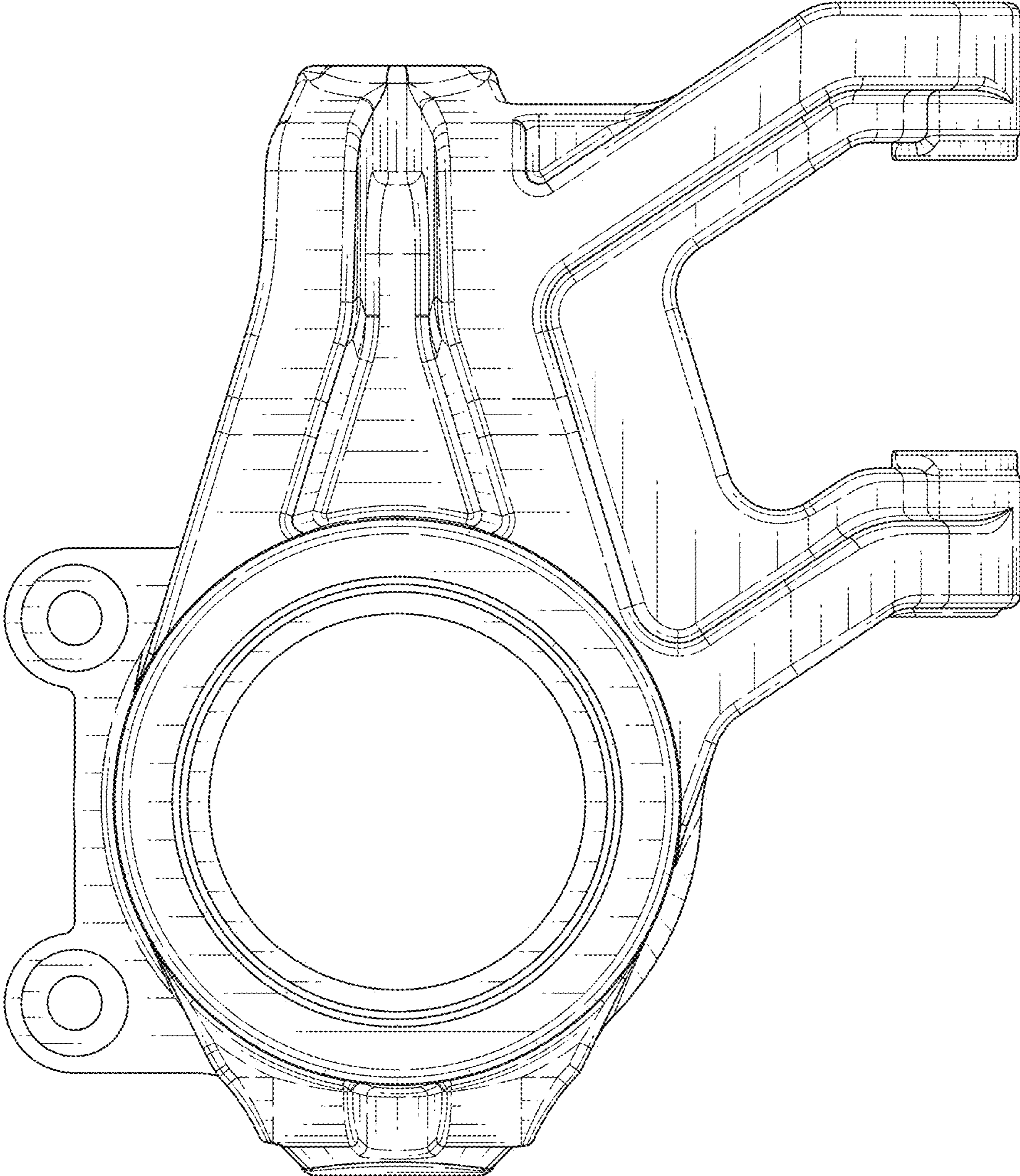


FIG. 10