



US0D1122363S

(12) **United States Design Patent** (10) **Patent No.:** **US D1,122,363 S**
Martin et al. (45) **Date of Patent:** **** Apr. 14, 2026**

(54) **MODEL VEHICLE C-HUB SET**

FOREIGN PATENT DOCUMENTS

(71) Applicant: **TRAXXAS, L.P.**, McKinney, TX (US)

EM 007721154-0004 3/2020
EM 009162605-0003 9/2022

(72) Inventors: **Ross Martin**, North Richland Hills, TX (US); **Otto Karl Allmendinger**, Rowlett, TX (US); **Adam Cole Ewing**, McKinney, TX (US); **Caleb Hix**, McKinney, TX (US)

(Continued)

(73) Assignee: **TRAXXAS, L.P.**, McKinney, TX (US)

OTHER PUBLICATIONS

(**) Term: **15 Years**

Primary Examiner — Lauren D Mcvey

(21) Appl. No.: **29/962,988**

Assistant Examiner — James T Tyree

(22) Filed: **Sep. 13, 2024**

(74) *Attorney, Agent, or Firm* — Daryl R. Wright; Greg Carr

(51) **LOC (15) Cl.** **21-01**

(52) **U.S. Cl.**

USPC **D21/562**; D21/533

(58) **Field of Classification Search**

USPC D21/561, 533, 562, 565, 424, 595, 495, D21/489, 491; D12/159

CPC A63H 17/262; A63H 18/08

See application file for complete search history.

Amazon Website, GPM Aluminum C Hub, No Available Date [Website Visited Aug. 4, 2025] Available on the Internet URL <https://www.amazon.com/dp/B0F9PMWFWC> (Year: 2025).*

(Continued)

(57) **CLAIM**

The ornamental design for a model vehicle c-hub set as shown and described.

DESCRIPTION

(56) **References Cited**

U.S. PATENT DOCUMENTS

4,690,656	A	9/1987	Friedman et al.	
6,416,136	B1	7/2002	Smith	
D605,985	S	12/2009	Pennala	
7,810,604	B2	10/2010	Byers et al.	
D661,713	S	6/2012	Marchesan	
8,574,022	B2	11/2013	Grisolia et al.	
D822,125	S *	7/2018	Ewing	D21/561
D826,340	S *	8/2018	Ewing	D21/561
D843,273	S	3/2019	Audley-Coote	
D880,279	S	4/2020	Marchesan	
D891,998	S	8/2020	Smith	

(Continued)

FIG. 1 is an upper, left front perspective view of the first left component of a model vehicle c-hub set showing our new design;

FIG. 2 is an upper, right, rear perspective view thereof;

FIG. 3 is a lower, right, front perspective view thereof;

FIG. 4 is a lower, left, rear perspective view thereof;

FIG. 5 is a front elevation view thereof;

FIG. 6 is a rear elevation view thereof;

FIG. 7 is an upper plan view thereof;

FIG. 8 is a lower plan view thereof;

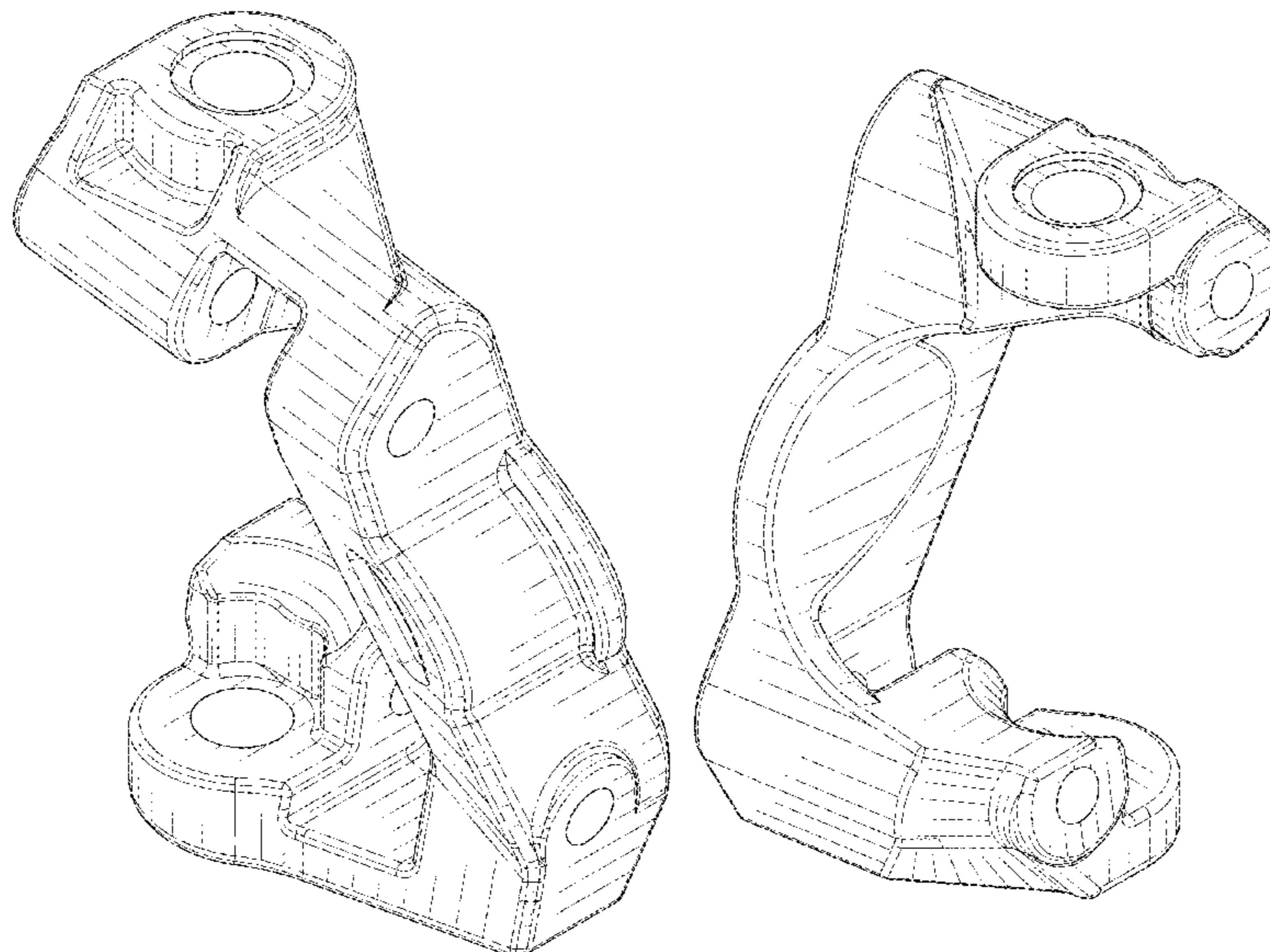
FIG. 9 is a right-side elevation view thereof; and,

FIG. 10 is a left-side elevation view of a model vehicle c-hub set.

In the drawings, the broken lines illustrate portions of the model vehicle c-hub set that form no part of the claimed design.

A second right component, which is a mirror of the first component, also forms a part of the claimed design.

1 Claim, 8 Drawing Sheets



(56)

References Cited

U.S. PATENT DOCUMENTS

D900,250	S	*	10/2020	Ewing	D21/561
D902,091	S		11/2020	Ewing et al.		
D913,166	S		3/2021	Kiska		
D923,115	S		6/2021	Ewing et al.		
D923,116	S	*	6/2021	Ewing	D21/562
D947,290	S	*	3/2022	Christensen	D12/159
D947,958	S		4/2022	Christensen et al.		
D947,959	S	*	4/2022	Christensen	D12/159
D996,528	S	*	8/2023	Christensen	D21/562
D1,014,658	S		2/2024	Christensen et al.		
D1,051,244	S	*	11/2024	Ewing	D21/562
D1,051,245	S	*	11/2024	Ewing	D21/562
D1,053,278	S		12/2024	Poteet et al.		
D1,058,702	S	*	1/2025	Poteet	D21/562
D1,060,180	S		2/2025	Collins et al.		
D1,074,849	S	*	5/2025	Hix	D12/159
D1,074,858	S	*	5/2025	Wood	D21/562
2002/0077025	A1		6/2002	Wu		
2007/0256659	A1		11/2007	Anderson et al.		
2011/0079978	A1		4/2011	Schreiner et al.		

FOREIGN PATENT DOCUMENTS

EM	015066882-0003		7/2024
GB	90077211540004	*	3/2020
GB	6379193		7/2024
GB	6379200		7/2024
GB	6394975	*	10/2024
GB	6429716	*	3/2025

OTHER PUBLICATIONS

Amazon Website, Meus Racing C-Hub, Earliest Comment Date: Jul. 23, 2025 [Website Visited Aug. 4, 2025] Available on the Internet URL <https://www.amazon.com/dp/B0F9FDS995/> (Year: 2025).*

Traxxas Website, Traxxas Black Caster Blocks, No Available Date [Website Visited Aug. 4, 2025] Available on the Internet URL <https://traxxas.com/10732-blk-black-caster-blocks-Ir> (Year: 2025).*

Traxxas Maxx Aluminum Caster Blocks (Orange) Part# TRA8932A, Amain Hobbies Website, as shown in www.amainhobbies.com, Mar. 17, 2020 (Year: 2020).

Traxxas 8932R Caster Blocks 6061-T6 Alum (Red-Anodized), Left & Right, ASIN: B081LP7RQ8, as shown in www.amazon.com, earliest customer review, Feb. 25, 2021 (Year: 2021).

Reid Racing Azle Products; Aug. 2016.

Traxxas; "T-Maxx Assemblies-Front Assembly;" Traxxas LP, Plano, Texas.

Traxxas C-Hubs, Published date unavailable [online], [retrieved on Feb. 5, 2022]. Retrieved from the Internet: <https://www.rcsuperstore.com/traxxas-caster-blocks-c-hubs-left-right-slash-4x4/> (Year: 2022).

Traxxas Sledge Caster Blocks L/R w/ Kingpin Bushings, as shown in www.hobbytown.com, Jul. 5, 2022, Part # TRA9532. (Year: 2022).

Traxxas XRT Caster Blocks (2), as shown in www.hobbytown.com, May 16, 2023, Part # TRA7832. (Year: 2023).

Hot Racing Aluminum C-Hub Caster Blocks for Traxxas Maxx (Black) (2), as shown in www.hobbytown.com, May 4, 2021, Part # HRAMXX1901. (Year: 2021).

Globact Brass LCG Heavy Weight Caster Blocks Portal Drive C-Hubs 84g Counterweight for 1/10 TRX4 TRX6 RC Crawler Car Upgrades Parts (2PCS), as shown in www.amazon.com, Aug. 9, 2023, ASIN B0C9SWT276. (Year: 2023).

Rcarmumb RC Upgrades Part for 1/10 Maxx WideMaxx, Aluminum Caster Blocks, Amazon Website, Earliest Comment Date: Jan. 30, 2023 [Website Visited Oct. 1, 2024], Available on the Internet URL: <https://www.amazon.com/dp/B0BBN892JJ/> (Year: 2023).

Traxxas X-Maxx Caster Blocks, Amazon Website, Earliest Comment Date: Sep. 9, 2016 [Website Visited Oct. 2, 2024], Available on the Internet URL: <https://www.amazon.com/Traxxas-7732-X-Maxx-Caster-Blocks/dp/B01A6YD1XC> (Year: 2016).

2pcs Alloy Front C Hub Carrier Caster Blocks 7732 for RC Hobby Car 1/5 1/6 X-MAXX (Red), Amazon Website, Earliest Comment Date: Oct. 21, 2021 [Website Visited Oct. 2, 2024], Available on the Internet URL: <https://www.amazon.com/dp/B092M9XJYW/> (Year: 2021).

Aluminum Caster Blocks, Traxxas Website, No Available Date [Website Visited Oct. 2, 2024], Available on the Internet URL: <https://traxxas.com/products/parts/7832-RED> (Year: 2024).

Traxxas TRX-4M Front Steering Blocks & Caster Blocks, Part#: TRA9732, as shown in www.amainhobbies.com, May 22, 2023. (Year: 2023).

Steering blocks, left & right/ caster blocks (c-hubs), left or right (2), Traxxas website, posted date unknown [online], [retrieved Nov. 25, 2024]. Retrieved from internet, <https://traxxas.com/products/parts/9732> (Year: 2024).

OGRC 5g Brass Caster Blocks C-Hubs for Traxxas TRX4M 1/18 Bronco/Defender, Amazon website, posted date unknown [online], [retrieved Nov. 25, 2024]. Retrieved from internet, <https://www.amazon.com/Caster-Blocks-Traxxas-Defender-Upgrade/dp/B0BWQ8WRCJ/> (Year: 2024).

Injora Black Brass Caster Blocks C-Hubs 4g Front Counterweight for 1/18 RC Crawler, posted date unknown [online], [retrieved Nov. 25, 2024]. Retrieved from internet, <https://www.amazon.com/dp/B0BQDD4HGZ> (Year: 2024).

Traxxas Sledge Aluminum Caster Blocks Left & Right (Dark Titanium) (2), Part# TRA9532A, as shown in www.hobbytown.com, Aug. 9, 2022. (Year: 2022).

* cited by examiner

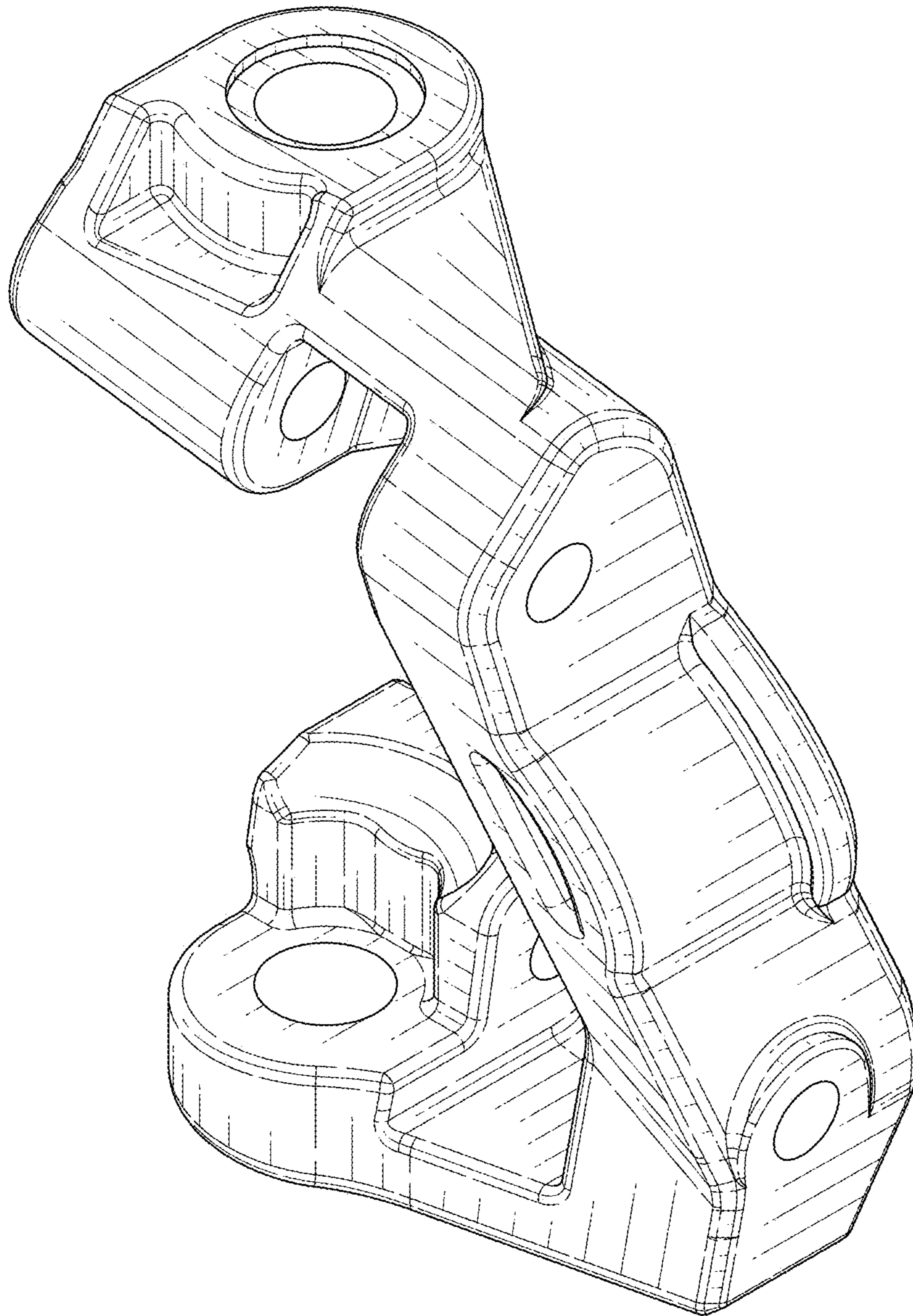


FIG. 1

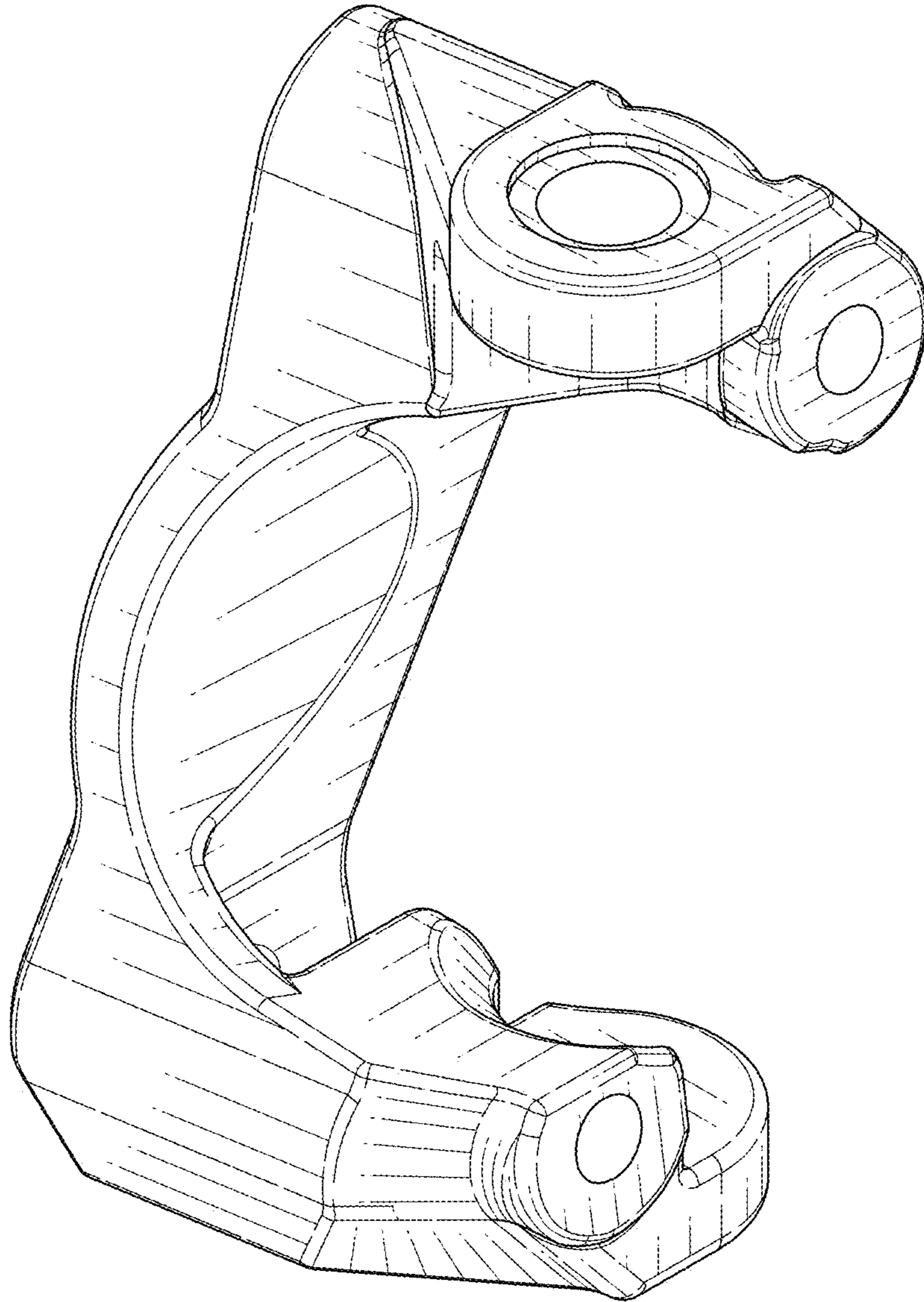


FIG. 2

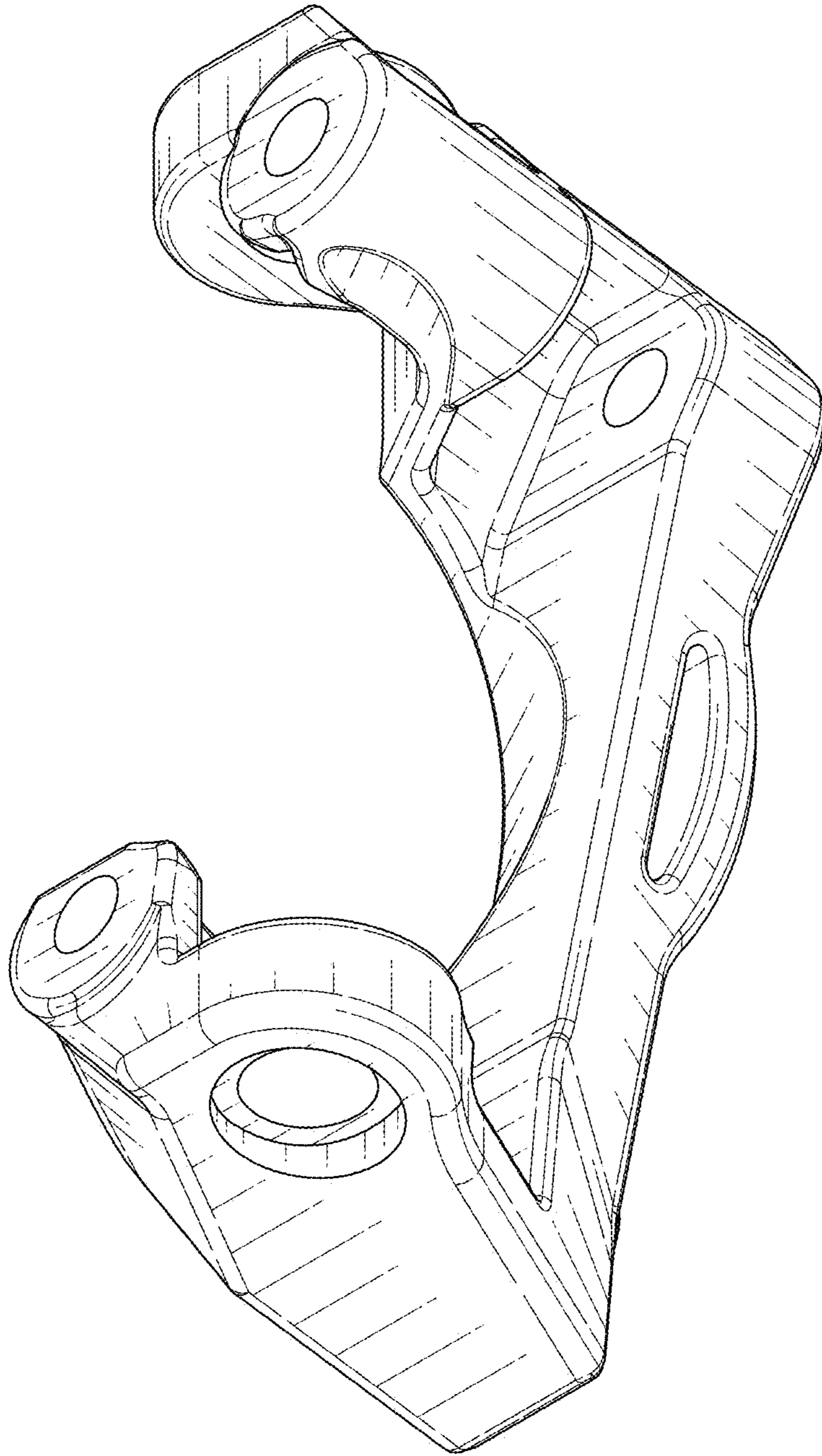


FIG. 3

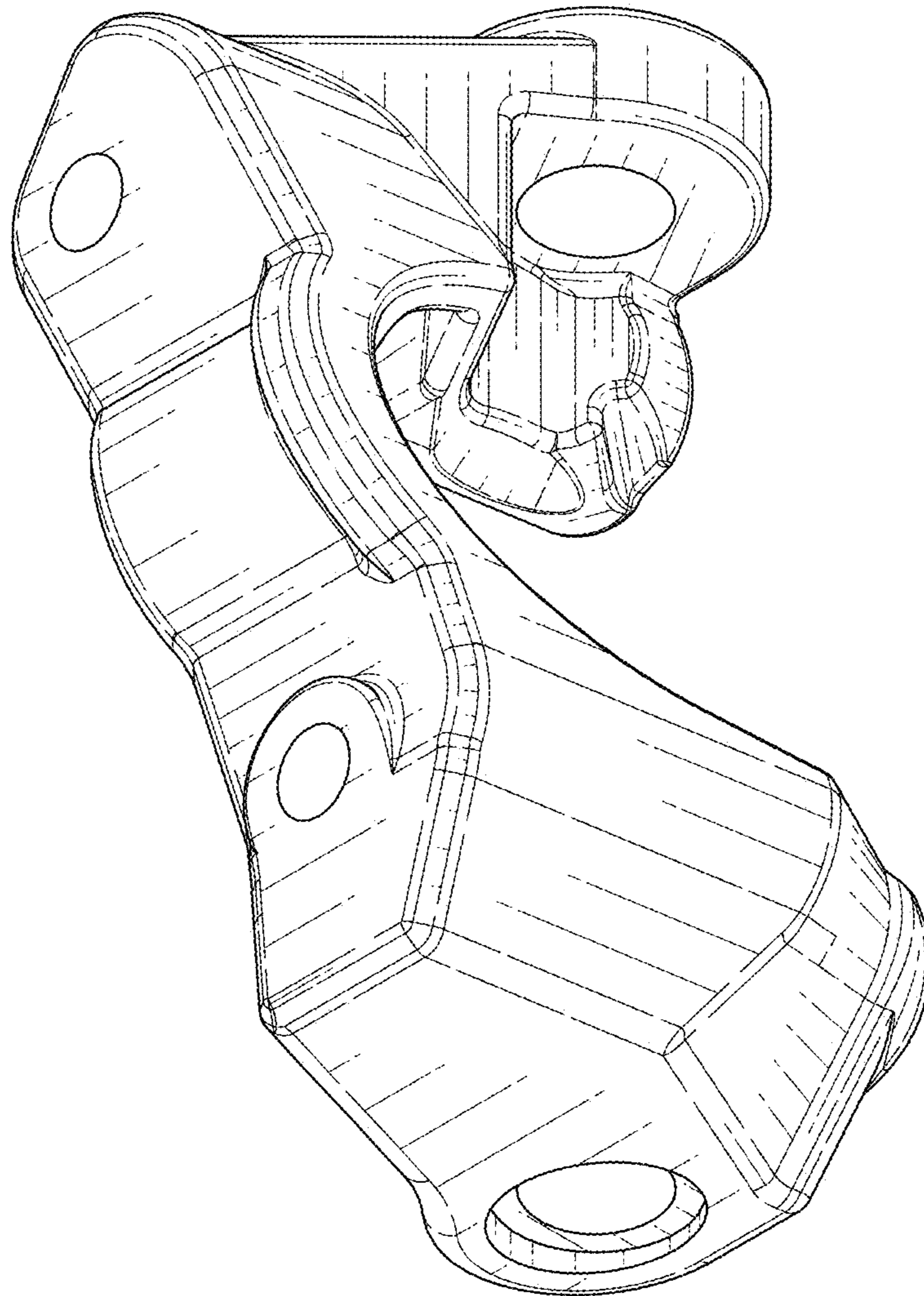


FIG. 4

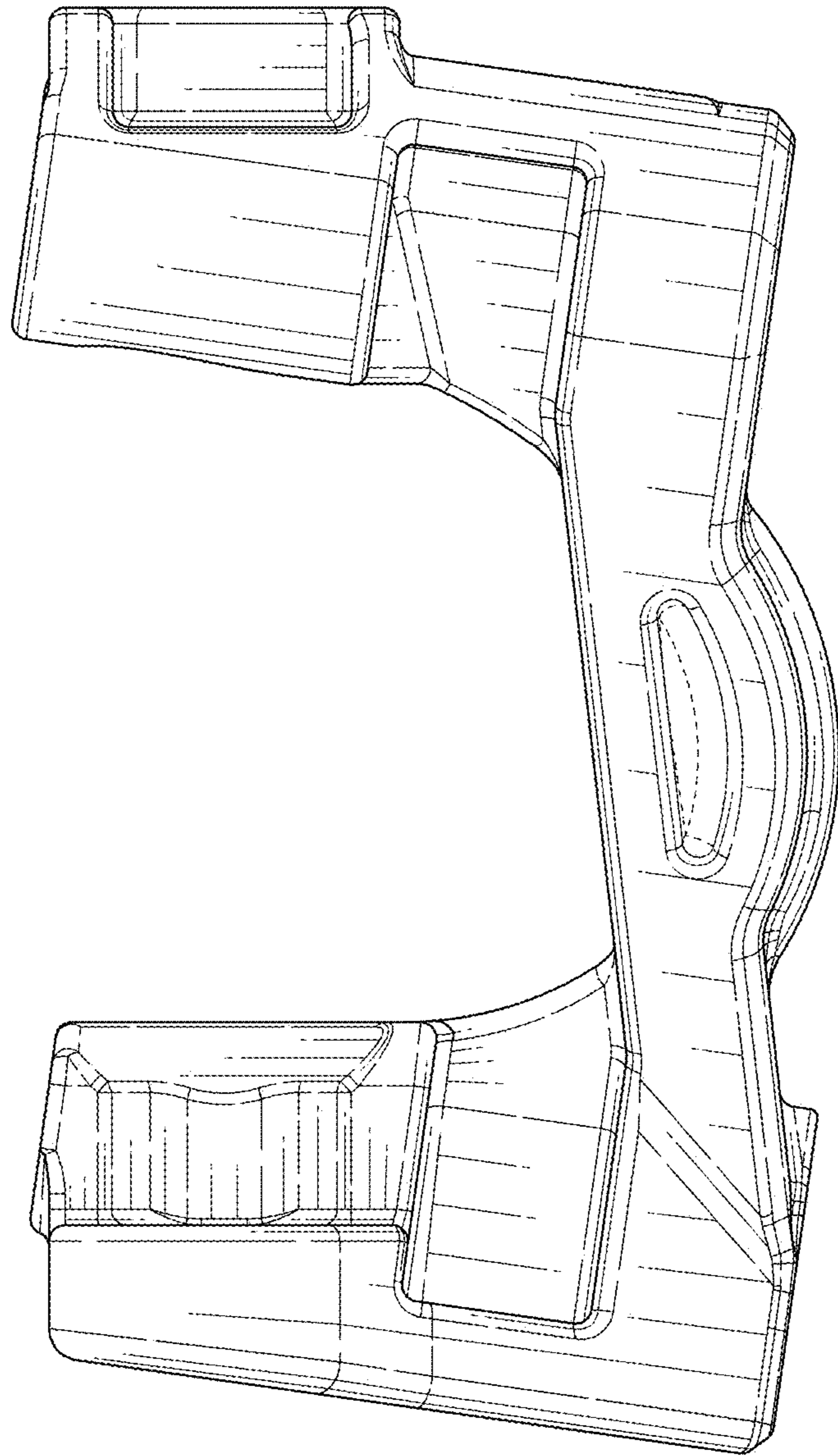


FIG. 5

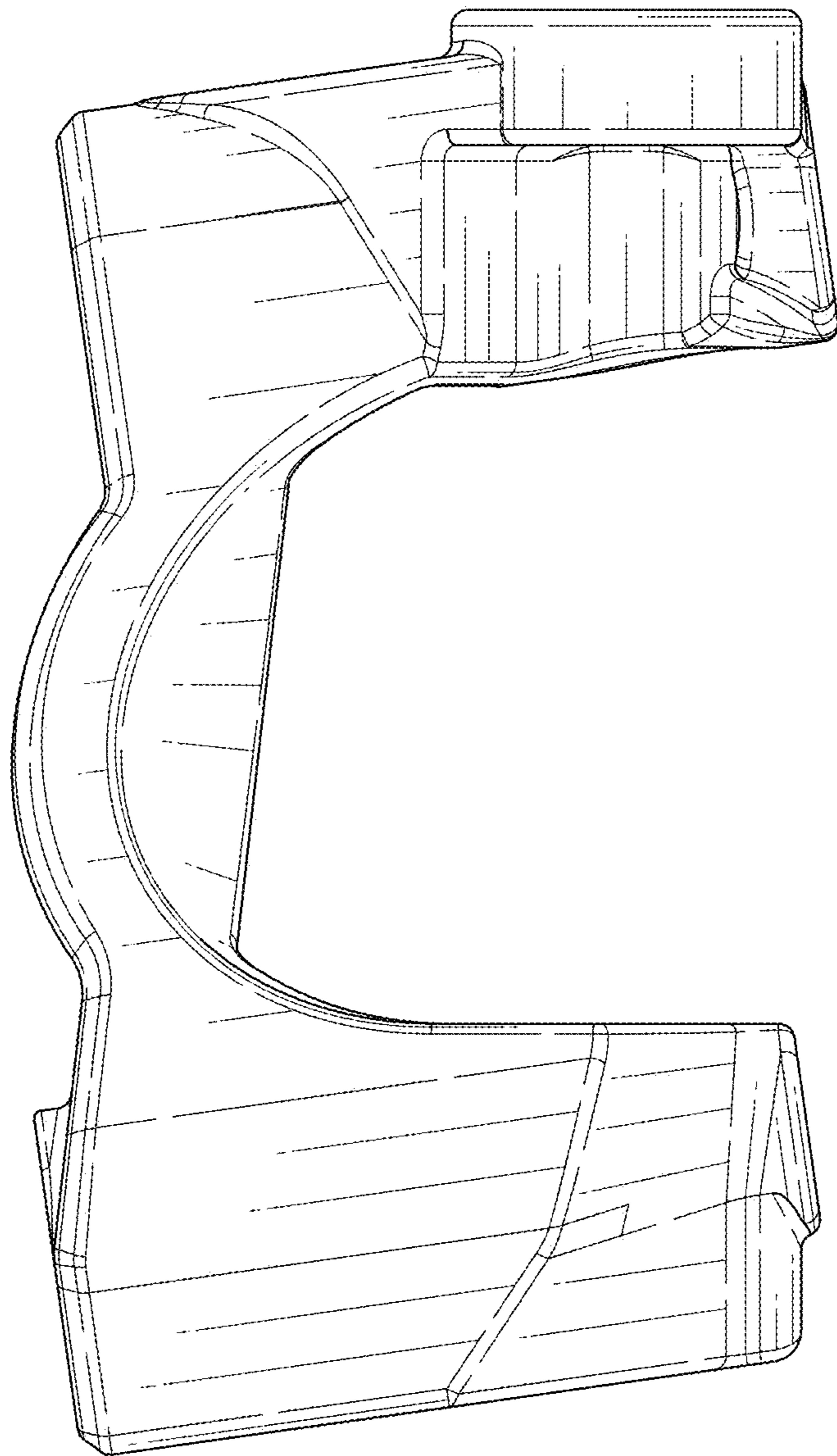


FIG. 6

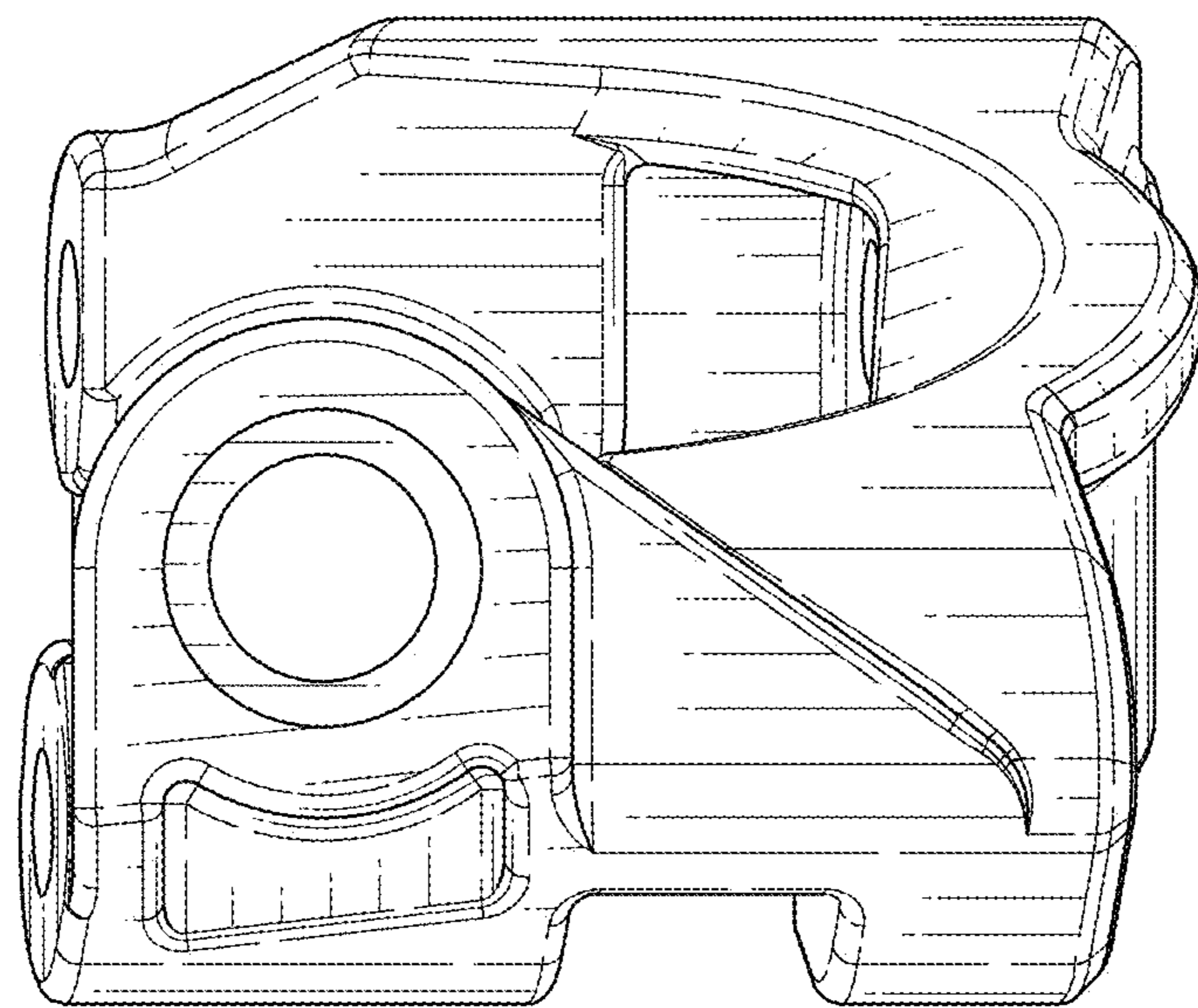


FIG. 7

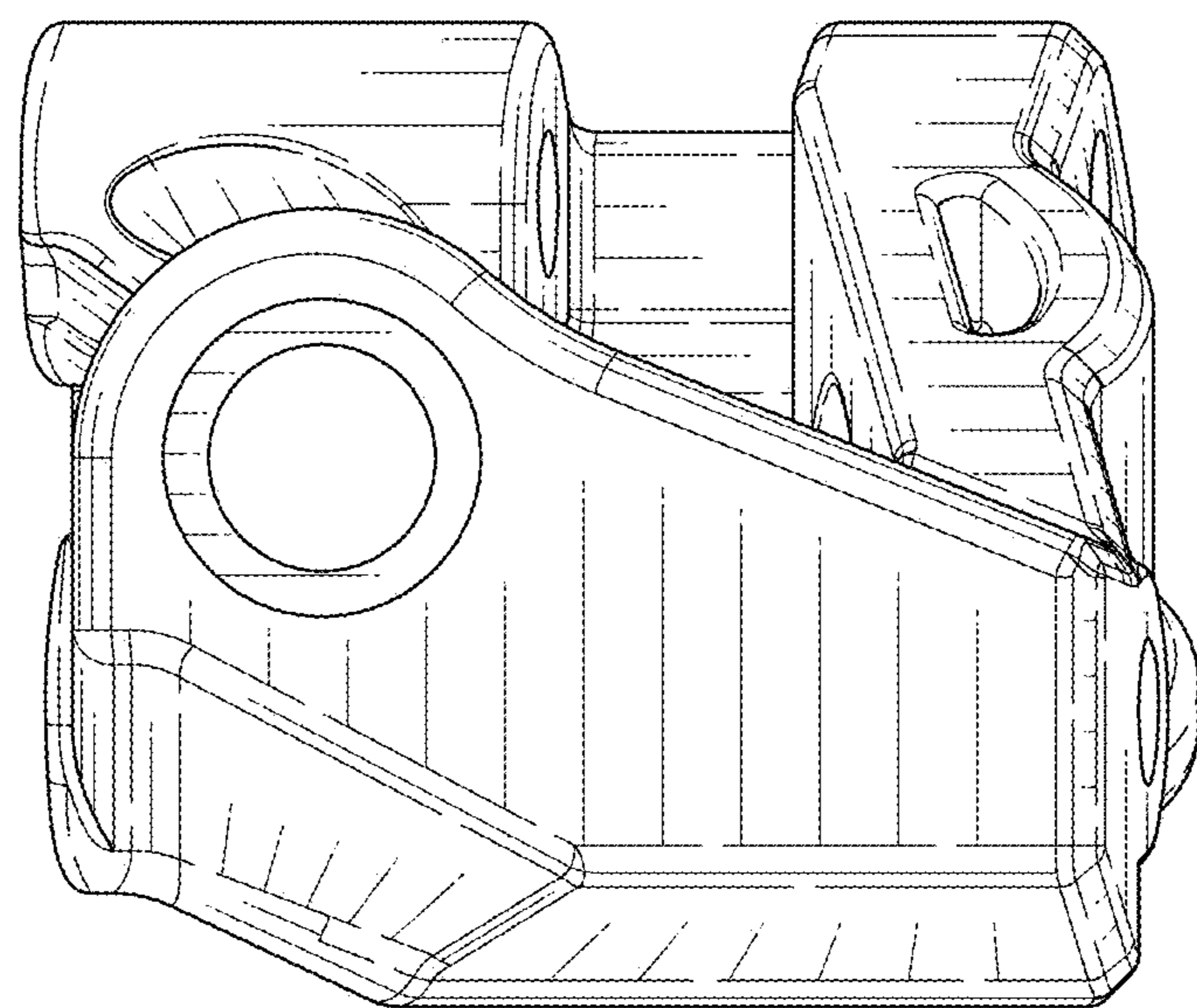


FIG. 8

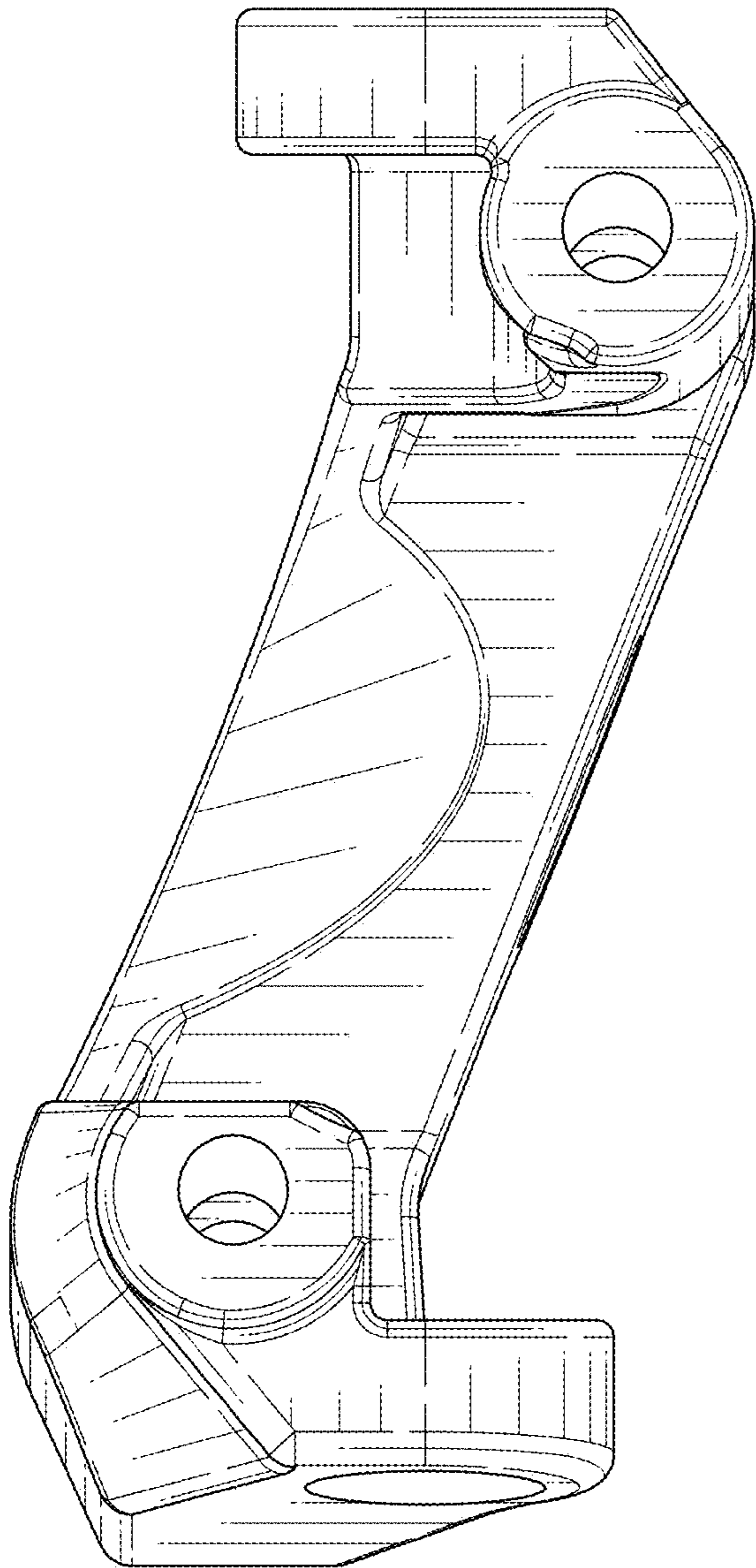


FIG. 9

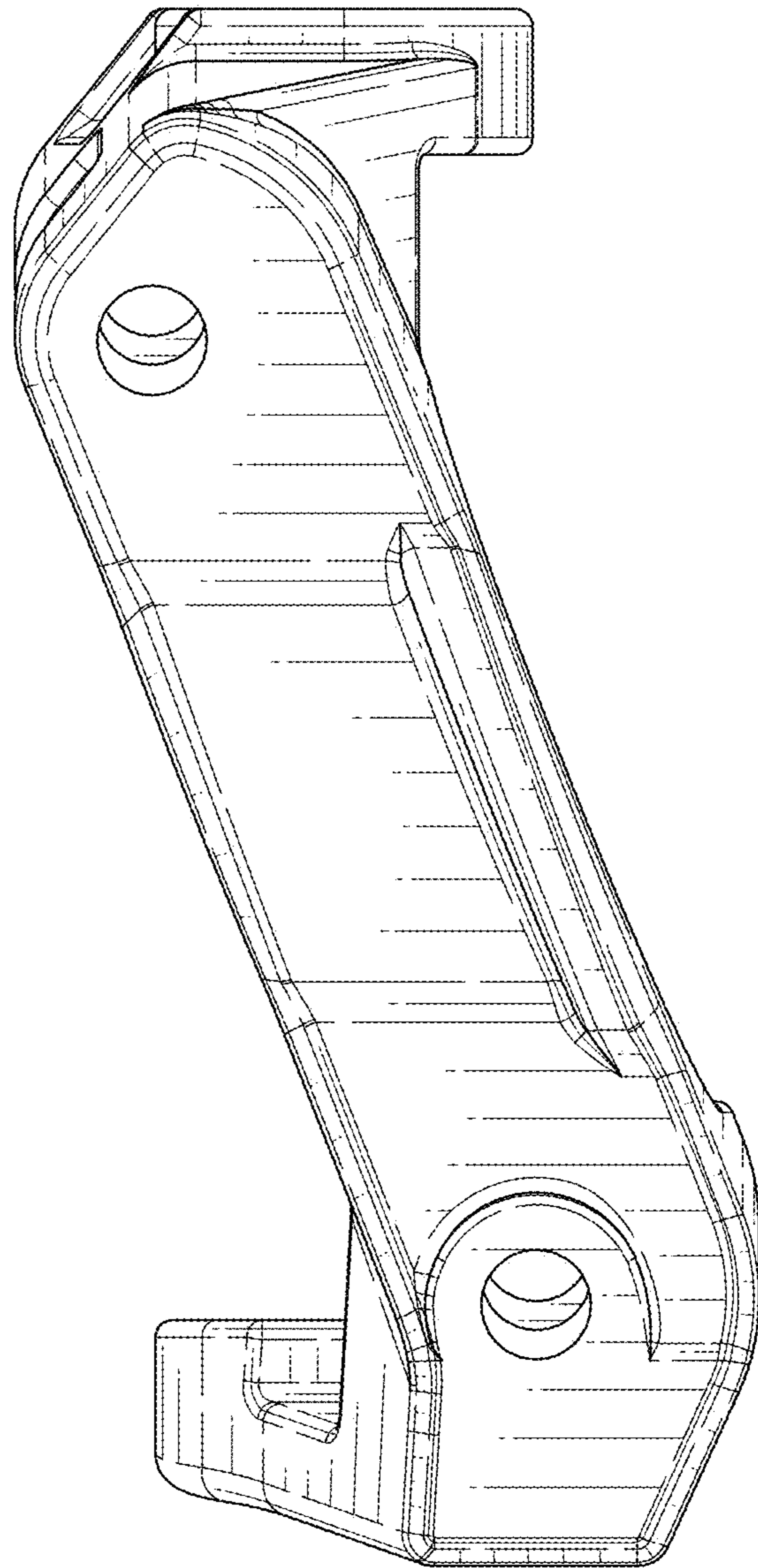


FIG. 10