



US0D1122331S

(12) **United States Design Patent** (10) **Patent No.:** **US D1,122,331 S**
Laube (45) **Date of Patent:** **** Apr. 14, 2026**

(54) **CAMERA HOUSING**

(71) Applicant: **Biamp Systems, LLC**, Beaverton, OR (US)
(72) Inventor: **Douglas Laube**, Plano, TX (US)
(73) Assignee: **Biamp Systems, LLC**, Beaverton, OR (US)

(**) Term: **15 Years**

(21) Appl. No.: **29/945,268**

(22) Filed: **Jun. 2, 2024**

(51) **LOC (15) Cl.** **16-01**

(52) **U.S. Cl.**
USPC **D16/219**

(58) **Field of Classification Search**
USPC D10/104.1; D14/496, 125; D16/200, D16/202, 203, 214, 218, 219
CPC H04N 2201/0084; G03B 15/00; G03B 17/00; G03B 2215/056; G03B 2215/0517
See application file for complete search history.

(56) **References Cited**

U.S. PATENT DOCUMENTS

D315,742 S	*	3/1991	Matsumoto	D16/208
D624,109 S	*	9/2010	Wang	D16/242
D905,780 S	*	12/2020	Zhu	D16/202
D944,880 S	*	3/2022	Chen	D16/202
D1,006,860 S	*	12/2023	Yan	D16/202
D1,032,690 S	*	6/2024	Luo	D16/202
D1,059,460 S	*	1/2025	Ding	D16/214

FOREIGN PATENT DOCUMENTS

EM	015062440-0001	*	6/2024
JP	D1683204	*	4/2021

OTHER PUBLICATIONS

PCMag Jabra Pana Cast 20, earliest pictured Apr. 13, 2022, [online], [site visited Aug. 20, 2025]. Available via Internet, <URL:https://www.pcmag.com/reviews/jabra-panacast-20> (Year: 2022).*
Chicago Athenaeum Biamp Vidi, earliest pictured 2021, [online], [site visited Aug. 15, 2025]. Available via Internet, <URL:https://www.chi-athenaeum.org/good-design-awards-electronics-2022/2022/12/13/biamp-vidi-250-2021-2022/> (Year: 2021).*
Office Supply Logitech Webcam, earliest pictured Nov. 27, 2022, [online], [site visited Aug. 15, 2025]. Available via Internet, <URL:https://www.officesupply.com/technology/cameras-scanners/cameras/pc-web-cameras/logitech-webcam-megapixel-graphite/p958664.html> (Year: 2022).*

* cited by examiner

Primary Examiner — Joseph Kukella
Assistant Examiner — Breana Copeland

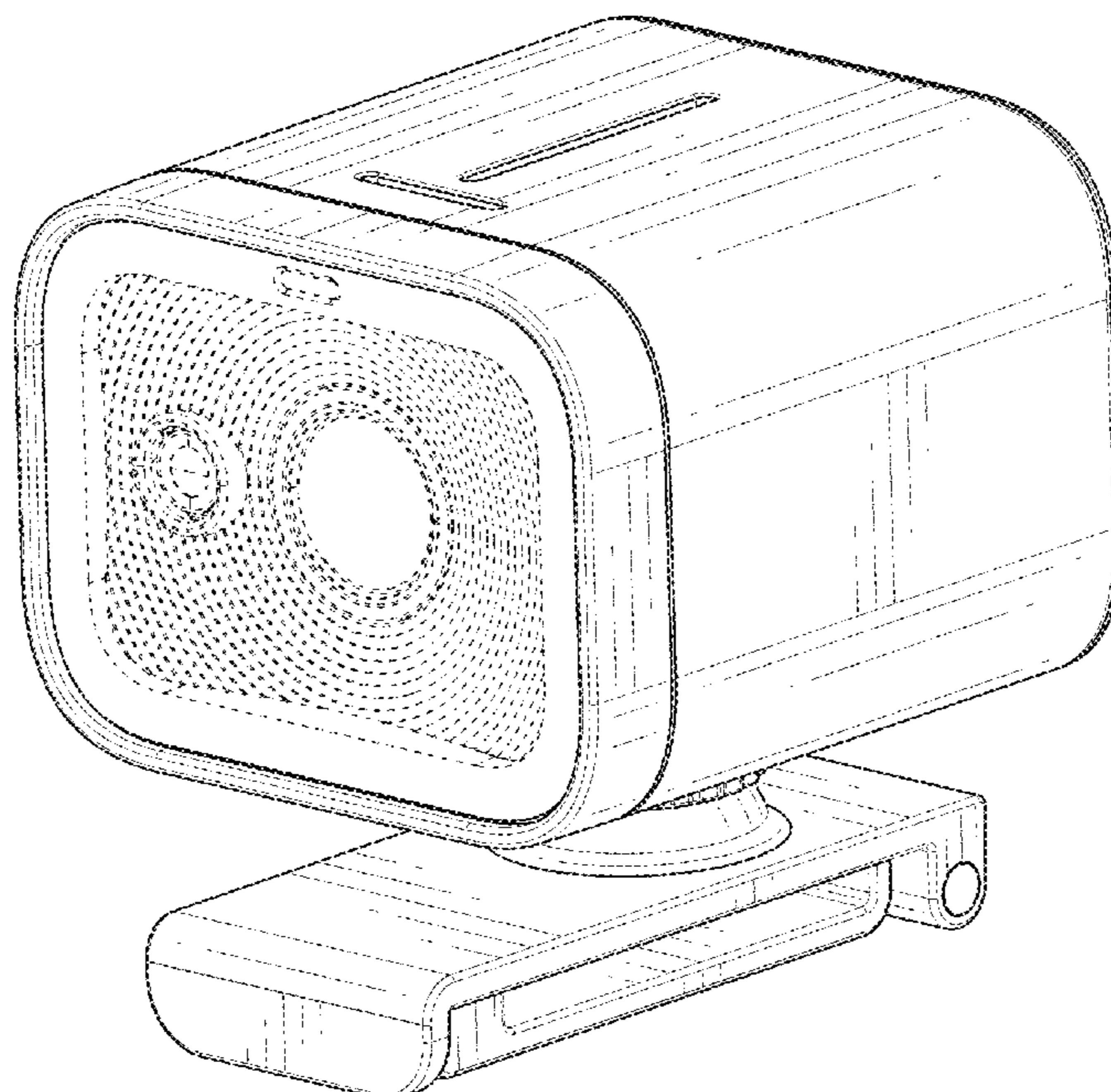
(57) **CLAIM**

The ornamental design for a camera housing, as shown and described.

DESCRIPTION

FIG. 1 is a front perspective view of a camera housing depicting our new design.
FIG. 2 is a front view thereof.
FIG. 3 is a rear view thereof.
FIG. 4 is a left side view thereof.
FIG. 5 is a right side view thereof.
FIG. 6 is a top view thereof; and,
FIG. 7 is a bottom view thereof.
The broken lines illustrate structure or features which form no part of the claimed design.

1 Claim, 7 Drawing Sheets



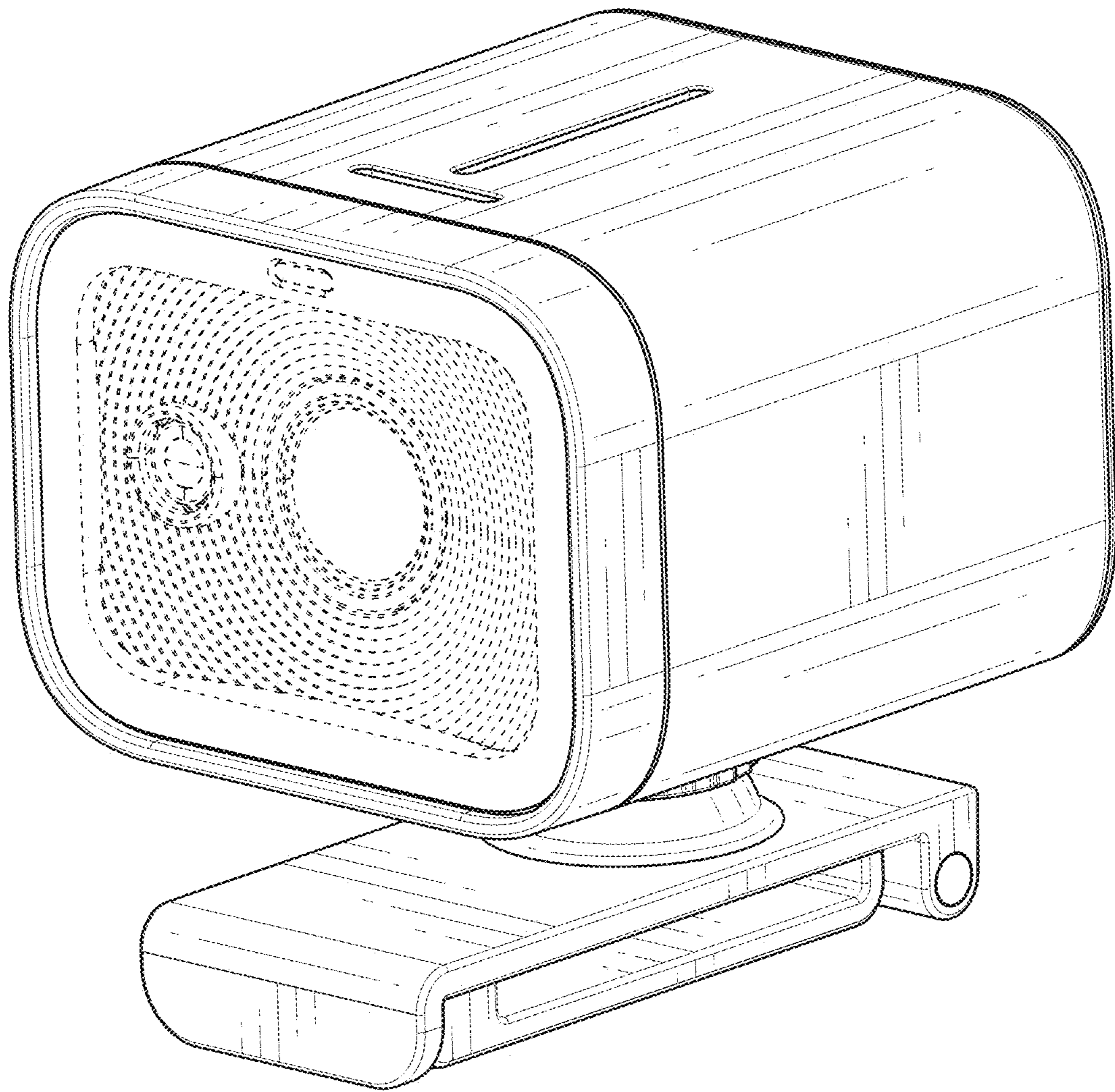


FIG. 1

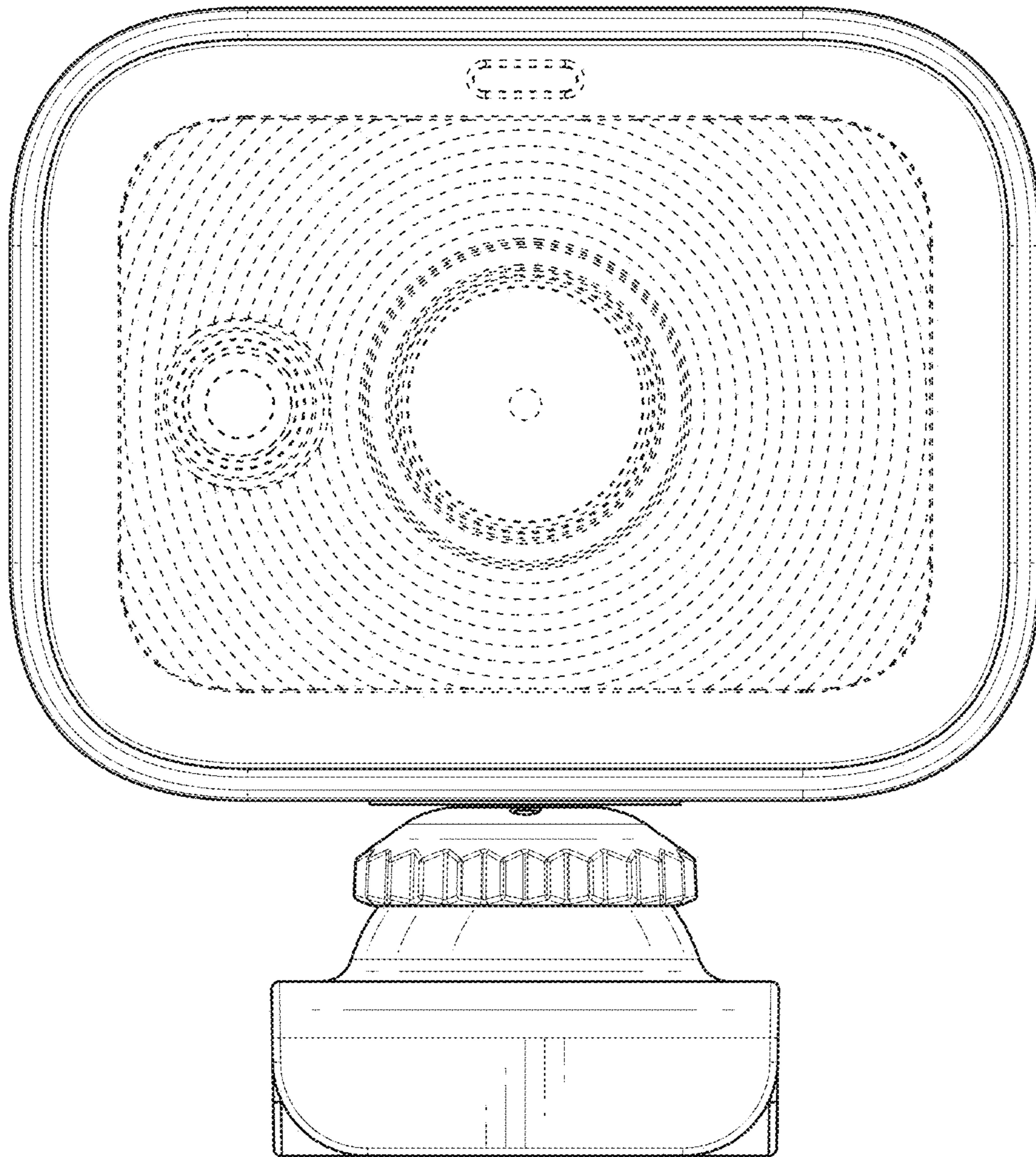


FIG. 2

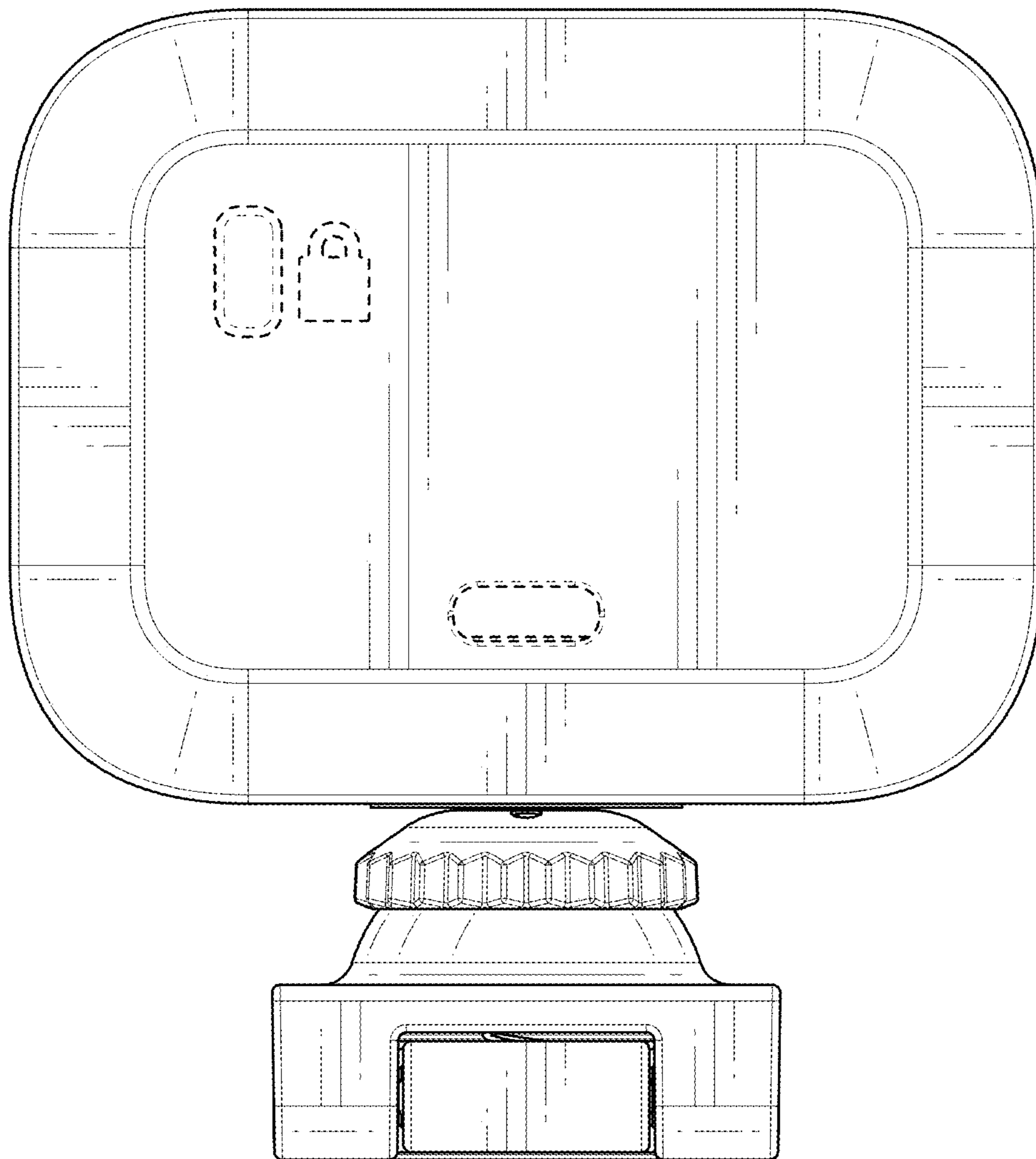


FIG. 3

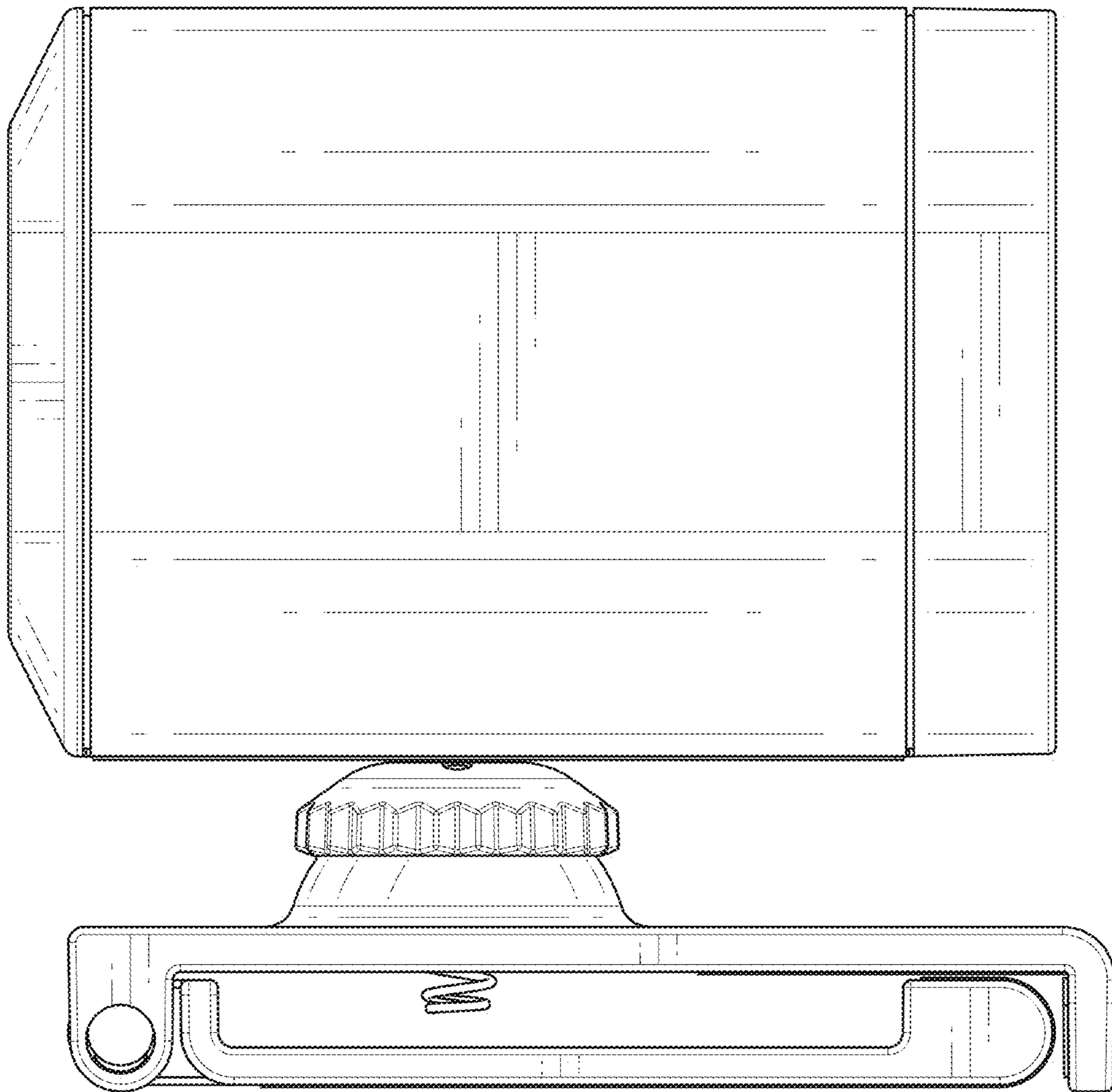


FIG. 4

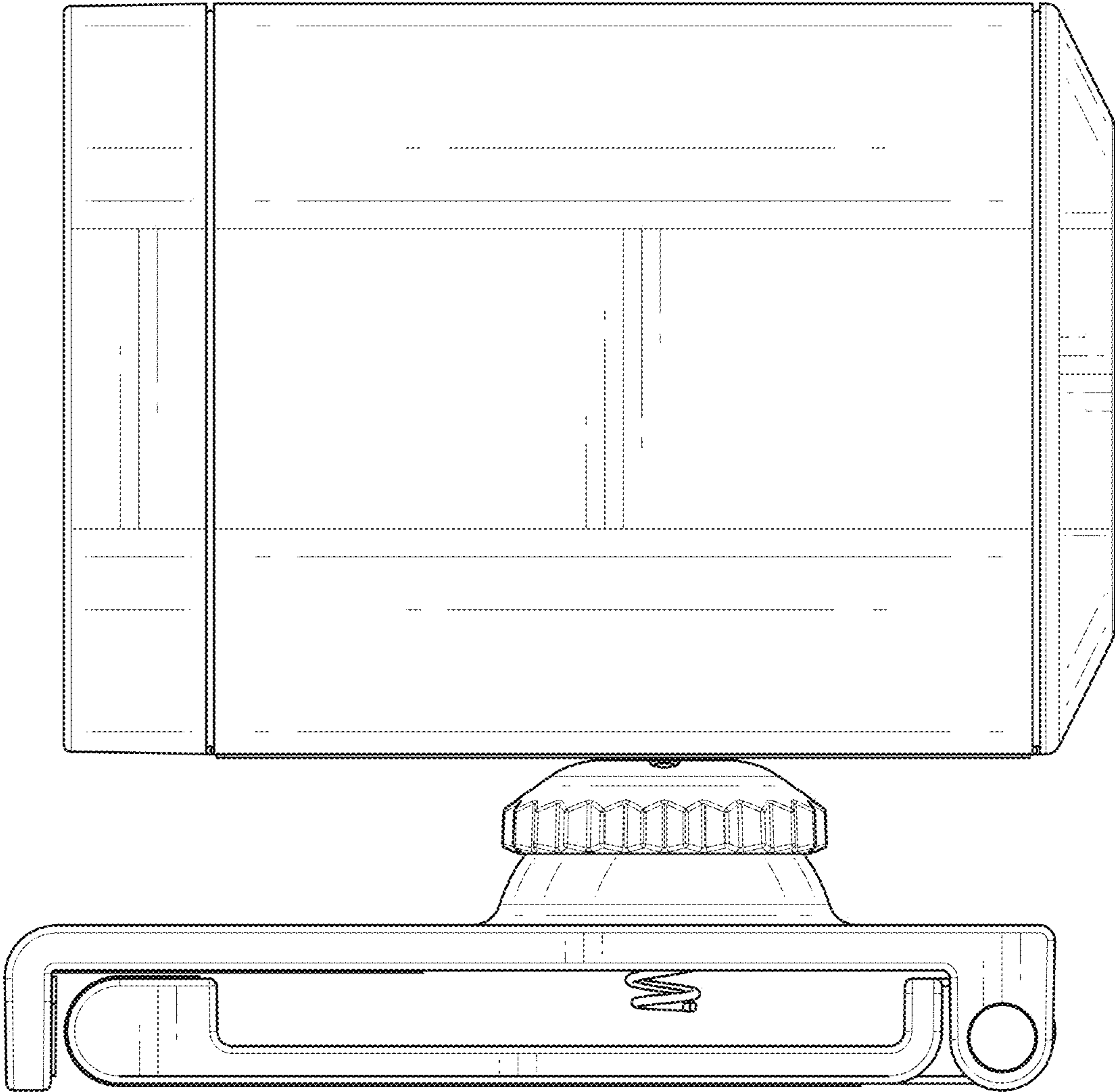


FIG. 5

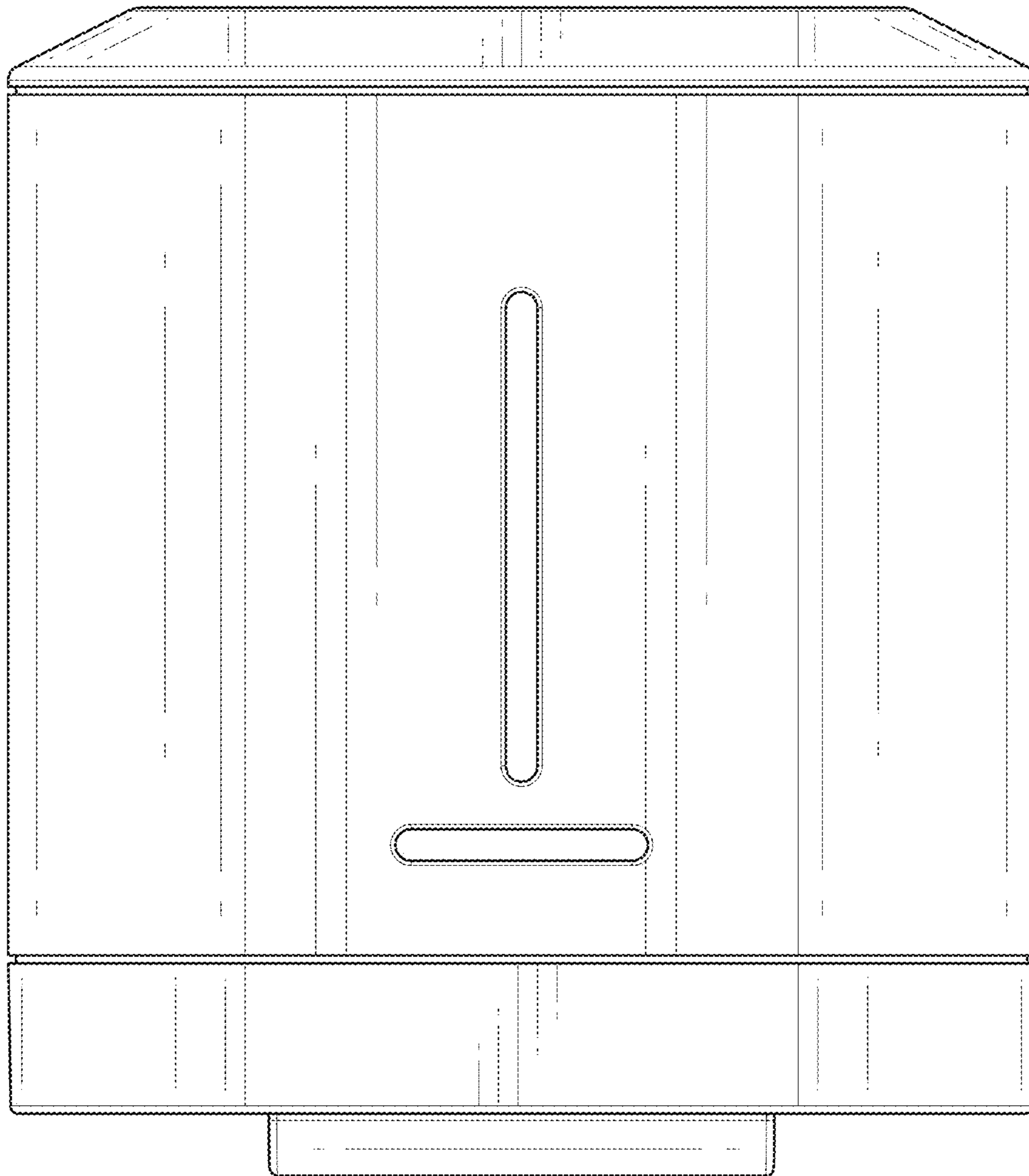


FIG. 6

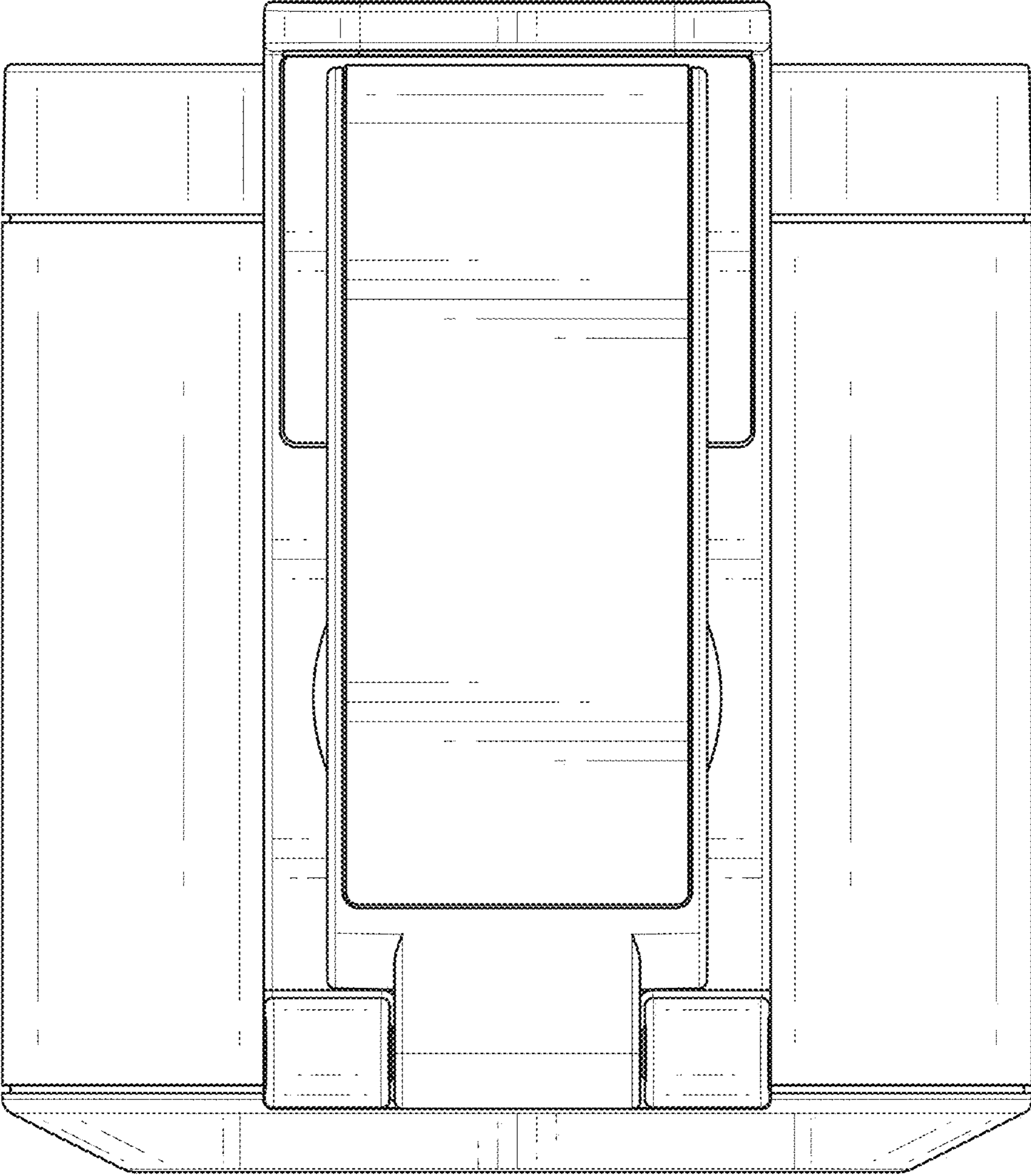


FIG. 7