



US0D1122172S

(12) **United States Design Patent** (10) **Patent No.:** **US D1,122,172 S**
Voss (45) **Date of Patent:** **** Apr. 14, 2026**

(54) **CANOPY FOR A VEHICLE, TRUCK, LIGHT DELIVERY VEHICLE OR SIMILAR VEHICLE**

D1,015,989 S * 2/2024 Voss D12/404
D1,015,991 S * 2/2024 Voss D12/404
D1,017,516 S * 3/2024 Voss D12/404
D1,040,730 S * 9/2024 Watts D12/404
D1,083,742 S * 7/2025 Voss D12/404
2020/0398644 A1* 12/2020 Voss B60H 1/30

(Continued)

(71) Applicant: **RSI North America, Inc.**, Dayton, NV (US)

(72) Inventor: **Michael Voss**, Aledo, TX (US)

FOREIGN PATENT DOCUMENTS

(73) Assignee: **RSI North America, Inc.**, Fort Worth, TX (US)

AU 201913690 8/2019
CA 194195 8/2022

(Continued)

(**) Term: **15 Years**

OTHER PUBLICATIONS

(21) Appl. No.: **29/900,156**

Youtube.com. "Smartcap assembly/installation at All Out Offroad" Uploaded Jun. 27, 2023. Retrieved Jan. 11, 2025. (https://www.youtube.com/watch?v=a56SOvIxR_g) (Year: 2023).*

(22) Filed: **Aug. 17, 2023**

(51) **LOC (15) Cl.** **12-16**

(52) **U.S. Cl.**

USPC **D12/404**; D12/401

(58) **Field of Classification Search**

USPC D7/332, 334-337; D6/610, 611, D6/601-603, 615, 617, 621, 596; D12/400-414, 401-405, 181-183
CPC . B60R 9/058; B60R 9/045; B60J 11/04; B60J 7/19; B60J 7/0435; B60J 7/024; B60J 7/11; B60J 5/0498; B60H 1/30

See application file for complete search history.

Primary Examiner — Jerry Shiuan-Hua Hsu

(74) *Attorney, Agent, or Firm* — K&L Gates LLP

(57) **CLAIM**

The ornamental design for a canopy for a vehicle, truck, light delivery vehicle or similar vehicle as shown and described.

DESCRIPTION

(56) **References Cited**

U.S. PATENT DOCUMENTS

D299,223 S * 1/1989 Galvin D12/404
D326,441 S * 5/1992 Rogers D12/404
D489,673 S * 5/2004 Block D12/404
D924,120 S * 7/2021 Voss D12/401
D930,551 S * 9/2021 Suckling D12/401
D961,490 S * 8/2022 Voss D12/404
D961,491 S * 8/2022 Voss D12/404
D961,492 S * 8/2022 Voss D12/404
D964,253 S * 9/2022 Voss D12/404
D969,058 S * 11/2022 Voss D12/404
D979,483 S * 2/2023 Voss D12/401
D998,534 S * 9/2023 Voss D12/412

FIG. 1 is a perspective view of a canopy for a vehicle, truck, light delivery vehicle or similar vehicle according to the present disclosure;

FIG. 2 is a rear elevation view thereof;

FIG. 3 is a front elevation view thereof;

FIG. 4 is a right side elevation view thereof;

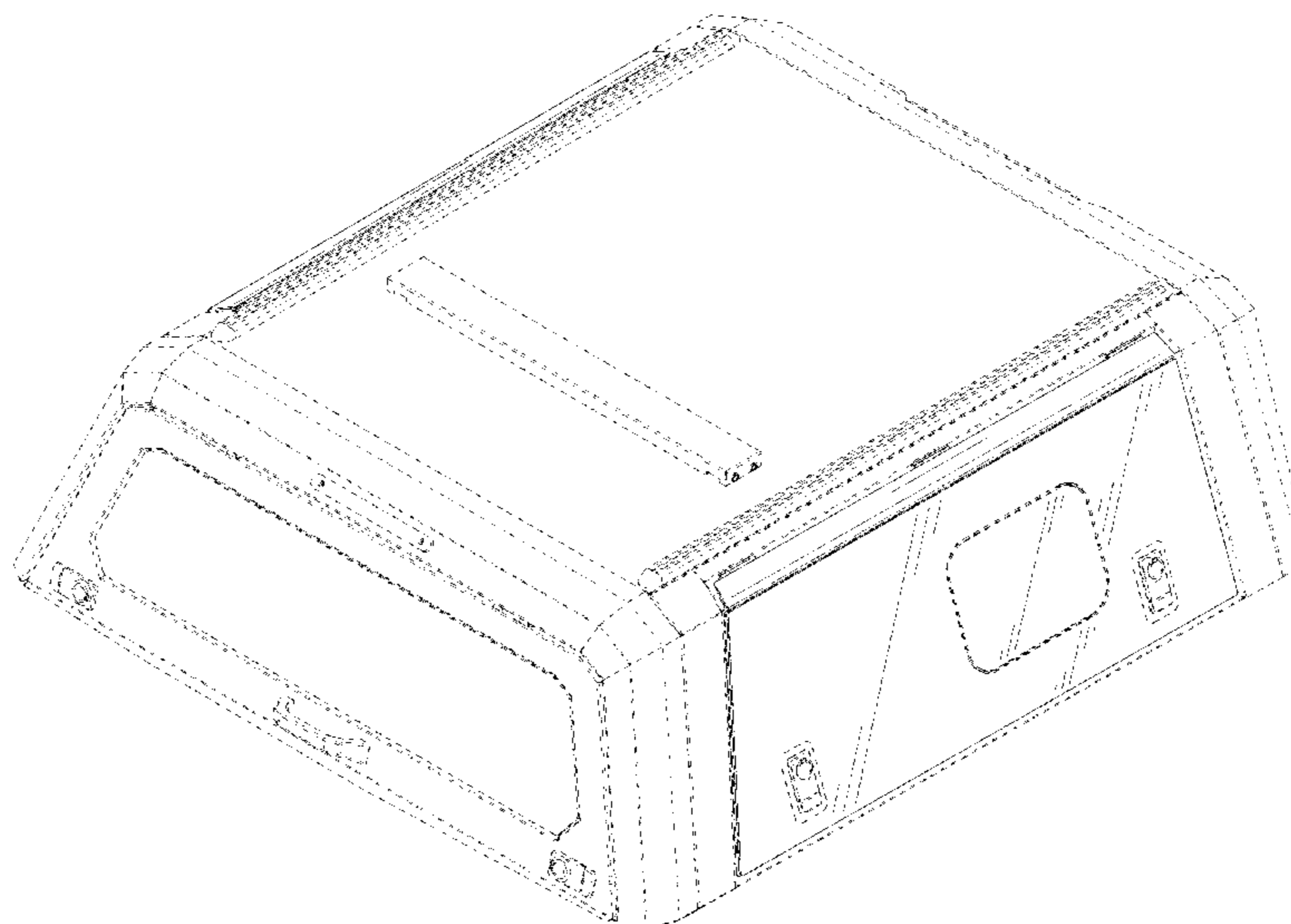
FIG. 5 is a left side elevation view thereof;

FIG. 6 is a top plan view thereof; and,

FIG. 7 is a bottom plan view thereof.

The broken lines illustrate portions of the canopy that form no part of the claimed design.

1 Claim, 7 Drawing Sheets



(56)

References Cited

U.S. PATENT DOCUMENTS

2024/0278730 A1* 8/2024 Voss B60R 9/058
2024/0343097 A1* 10/2024 Dreyer B60J 5/0498
2025/0178541 A1* 6/2025 Voss B60R 9/045

FOREIGN PATENT DOCUMENTS

CA 194196 8/2022
CA 201937 3/2023
ZA A2013/01824 7/2015
ZA A2019/00017 2/2020
ZA A2019/00018 2/2020

* cited by examiner

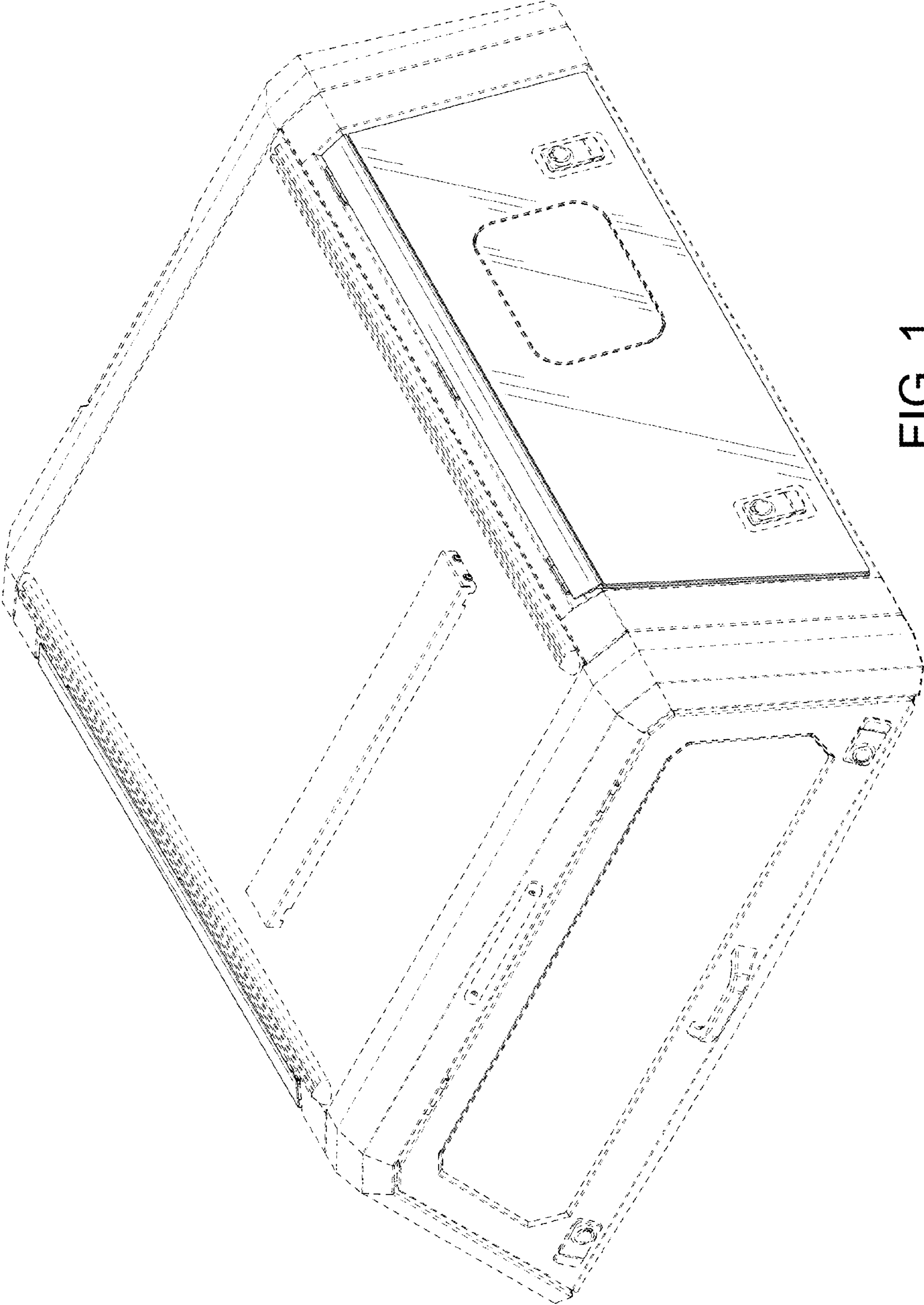


FIG. 1

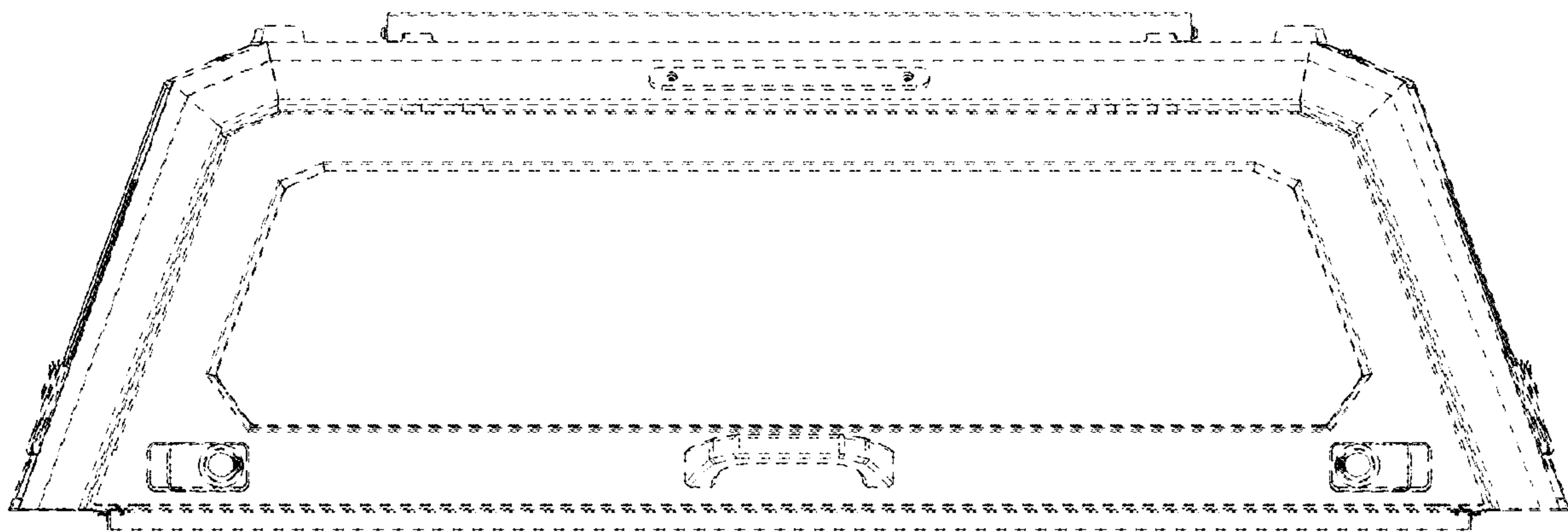


FIG. 2

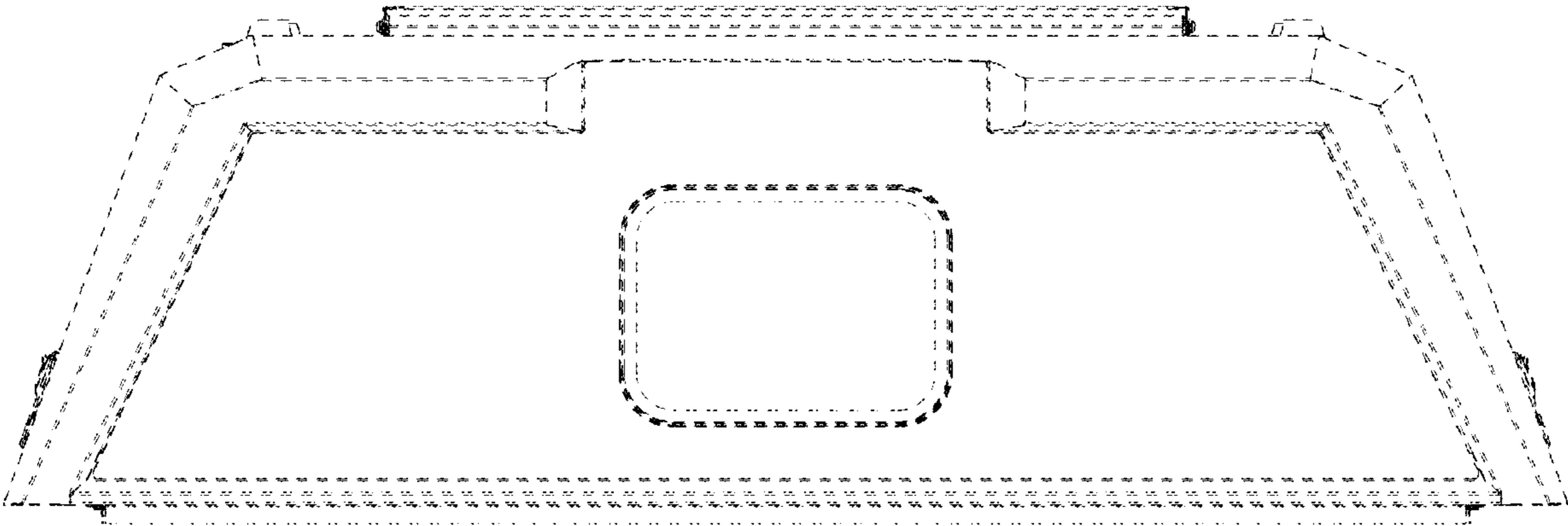


FIG. 3

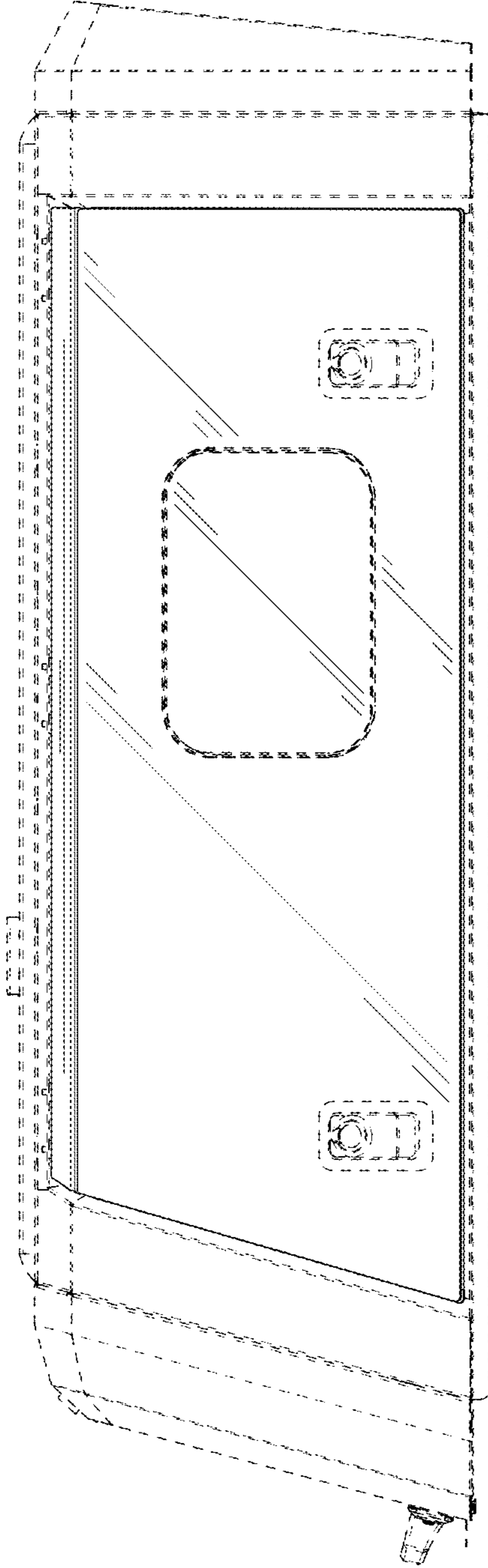


FIG. 4

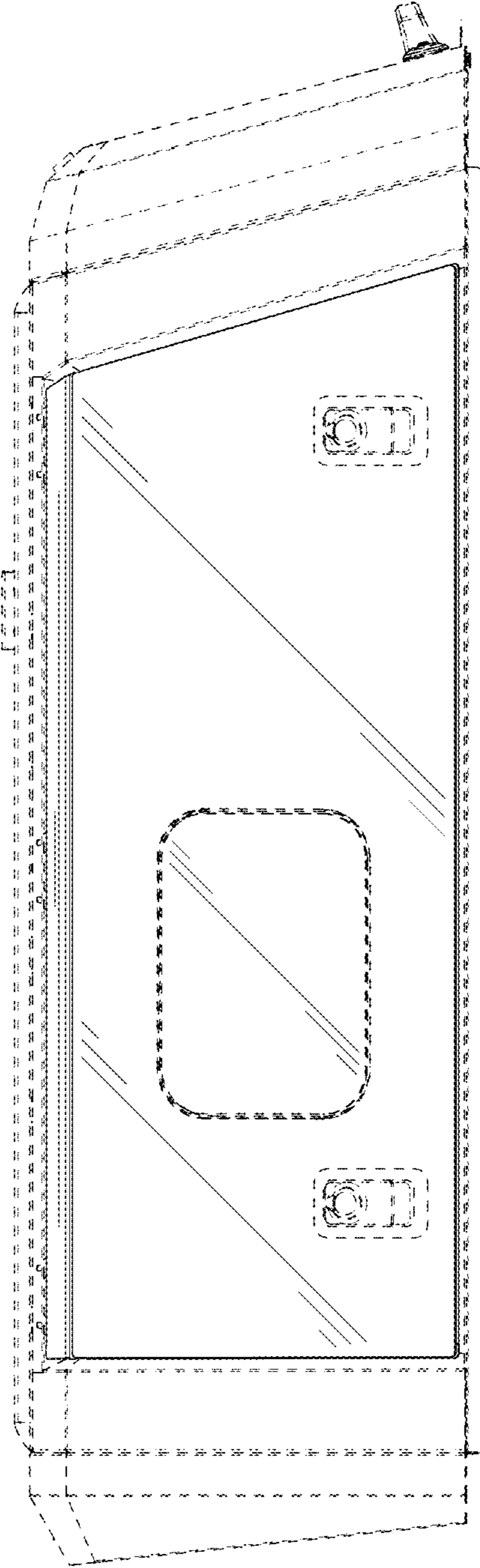


FIG. 5

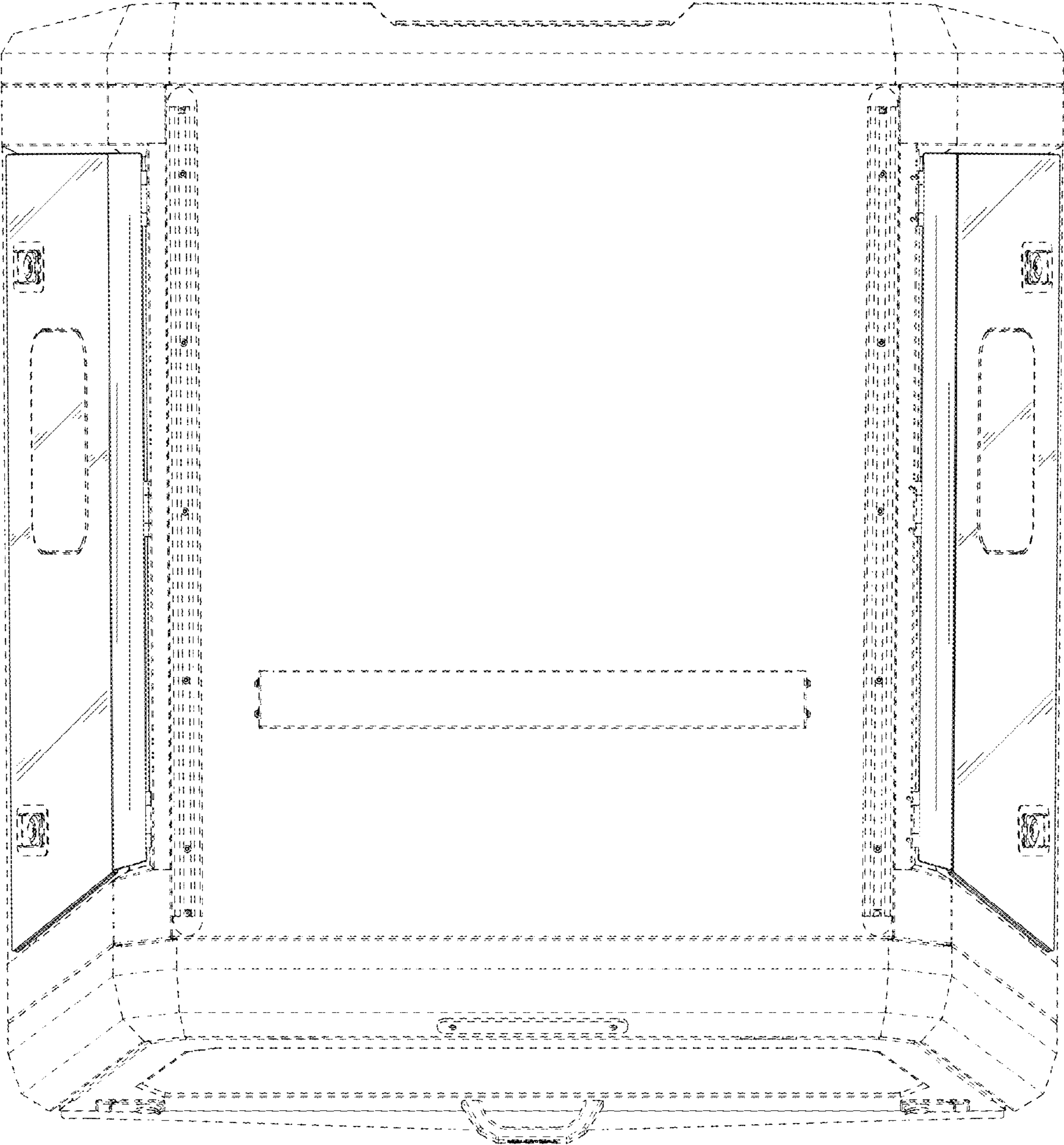


FIG. 6

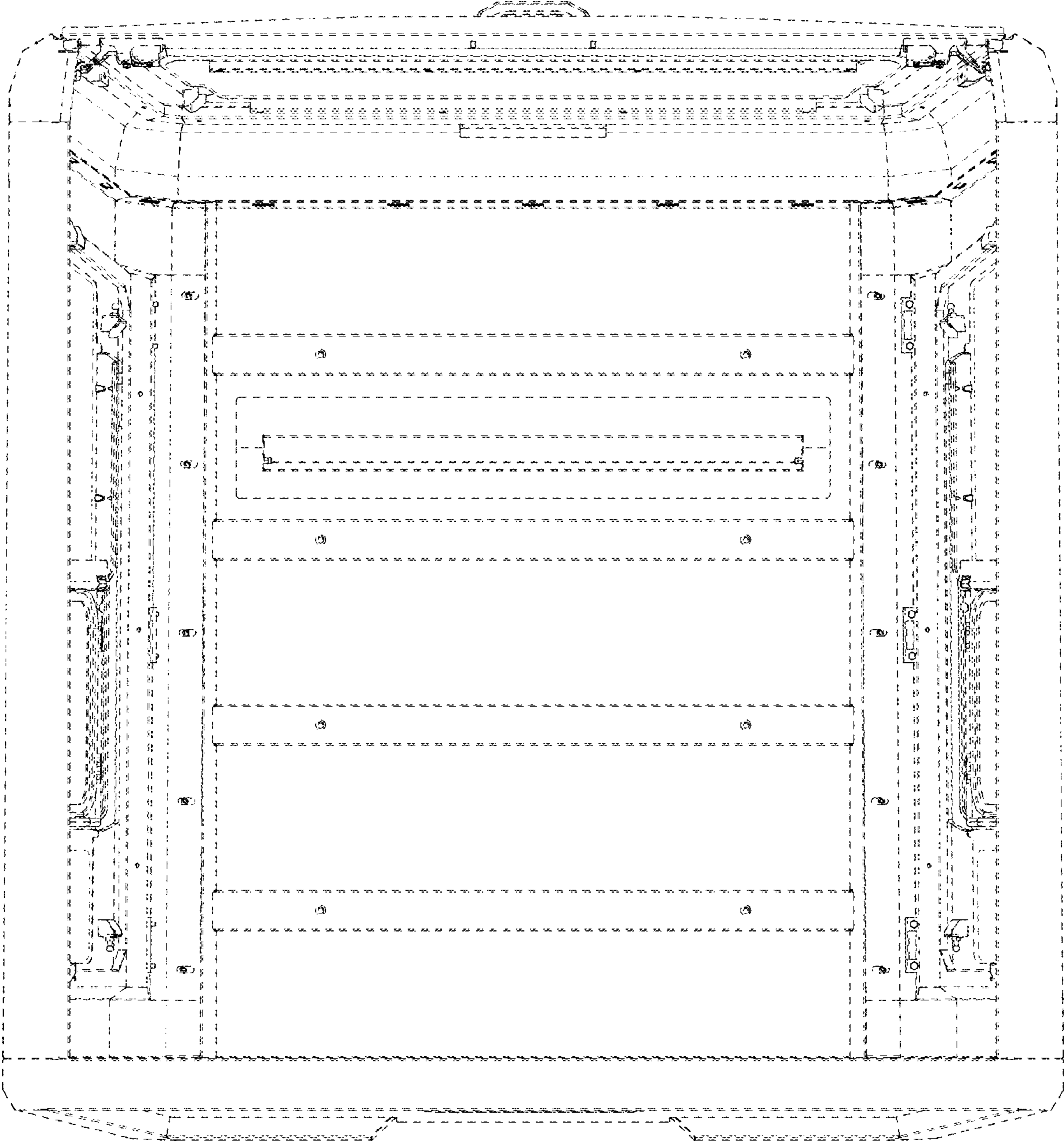


FIG. 7