



US0D1122096S

(12) **United States Design Patent** (10) **Patent No.:** **US D1,122,096 S**
Wilhelm et al. (45) **Date of Patent:** **** Apr. 14, 2026**

- (54) **REVERSIBLE LID**
- (71) Applicant: **Doskocil Manufacturing Company, Inc.**, Arlington, TX (US)
- (72) Inventors: **Josiah Wilhelm**, Arlington, TX (US); **Ron Bagley**, Arlington, TX (US)
- (73) Assignee: **Doskocil Manufacturing Company, Inc.**, Arlington, TX (US)
- (**) Term: **15 Years**
- (21) Appl. No.: **30/027,722**
- (22) Filed: **Oct. 13, 2025**

- D682,105 S * 5/2013 Ramsey D9/454
- D682,106 S * 5/2013 Ramsey D9/454
- D682,107 S * 5/2013 Ramsey D9/454
- D718,140 S * 11/2014 Paredes D9/516
- D891,923 S 8/2020 Lin
- D930,476 S * 9/2021 Bontrager D9/454
- D1,096,407 S * 10/2025 Seguin D9/454

(Continued)

Related U.S. Application Data

- (63) Continuation of application No. 29/887,486, filed on Mar. 21, 2023, now Pat. No. Des. 1,097,804.
- (51) **LOC (15) Cl.** **09-07**
- (52) **U.S. Cl.**
USPC **D9/434**
- (58) **Field of Classification Search**
USPC D9/434, 435, 442, 443, 444, 445, 447, D9/452, 453, 454, 449, 450; D7/387, D7/391, 392.1
CPC A47G 19/2272; B65D 41/00; B65D 41/04; B65D 41/38; B65D 41/56; B65D 41/58; B65D 41/62; B65D 47/00; B65D 47/06; B65D 47/08; B65D 2543/00046; B65D 2543/00092; B65D 2543/00296
See application file for complete search history.

(56) **References Cited**

U.S. PATENT DOCUMENTS

- D352,455 S 11/1994 Balson
- D628,894 S * 12/2010 Pontes D9/454
- D650,670 S 12/2011 Dunwoody
- D656,815 S * 4/2012 Fisher D9/425

OTHER PUBLICATIONS

Reversible Cap, posted Jan. 10, 2024 [retrieved Nov. 10, 2024]. Retrieved from internet, <https://www.amazon.com/Five-Star-Supplies-Plastic-Bottles/dp/B0CS1CZQLL?th=1> (Year: 2024).*

(Continued)

Primary Examiner — Messina L Smith

Assistant Examiner — Haley K Schnebele

(74) *Attorney, Agent, or Firm* — Foley & Lardner LLP

(57) **CLAIM**

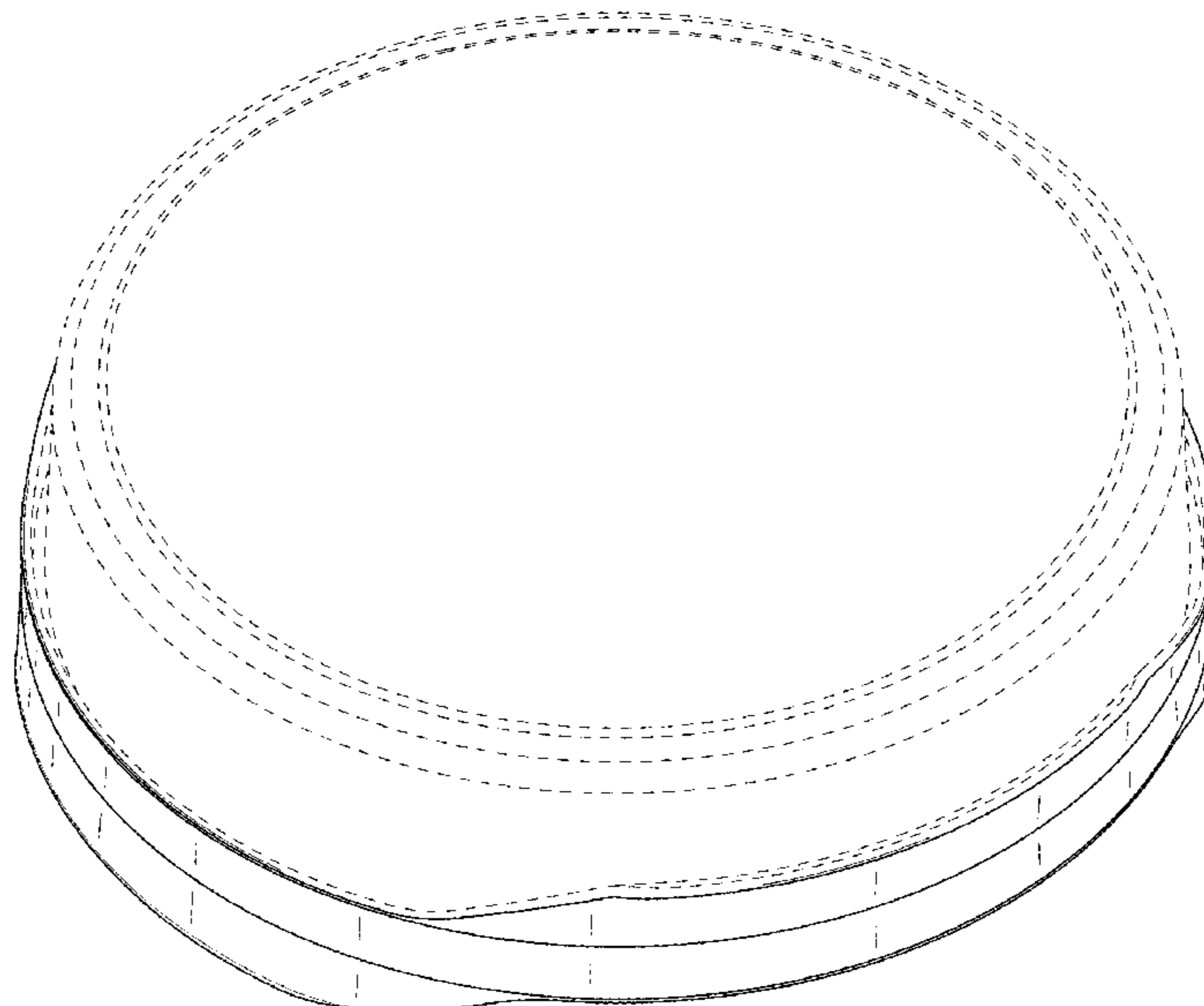
The ornamental design for a reversible lid as shown and described.

DESCRIPTION

FIG. 1 is a top perspective view of a reversible lid in accordance with our new design;
FIG. 2 is a bottom perspective view of the reversible lid of FIG. 1;
FIG. 3 is a top view of the reversible lid of FIG. 1;
FIG. 4 is a bottom view of the reversible lid of FIG. 1;
FIG. 5 is a left side view of the reversible lid of FIG. 1, a right side view being a mirror image thereof; and,
FIG. 6 is a front view of the reversible lid of FIG. 1, a rear view being a mirror image thereof.

The ornamental design which is claimed is shown in solid lines in the drawings. The broken lines in the drawings depict portions of the reversible lid that form no part of the claimed design.

1 Claim, 5 Drawing Sheets



(56)

References Cited

U.S. PATENT DOCUMENTS

D1,097,804 S * 10/2025 Wilhelm D9/434

OTHER PUBLICATIONS

Reversible Cap, posted date not available [retrieved Feb. 10, 2025].

Retrieved from internet, <https://greentechpackaging.com/products/20-dram-reversible-cap-opaque-white-piece-1-count> (Year: 2025).

Reversible Cap, posted date not available [retrieved Feb. 10, 2025].

Retrieved from internet, <https://shop.apothecaryproducts.com/products/ezy-dose-push-tab-vial> (Year: 2025).

Reversible Thumb Tab Vials, posted Jul. 28, 2022 [retrieved Feb.

10, 2025]. Retrieved from internet, <https://www.amazon.com/Prescription-Reversible-Medicine-Container-ResistanUdp/B0B7X3MXTM?th=1> (Year: 2022).

* cited by examiner

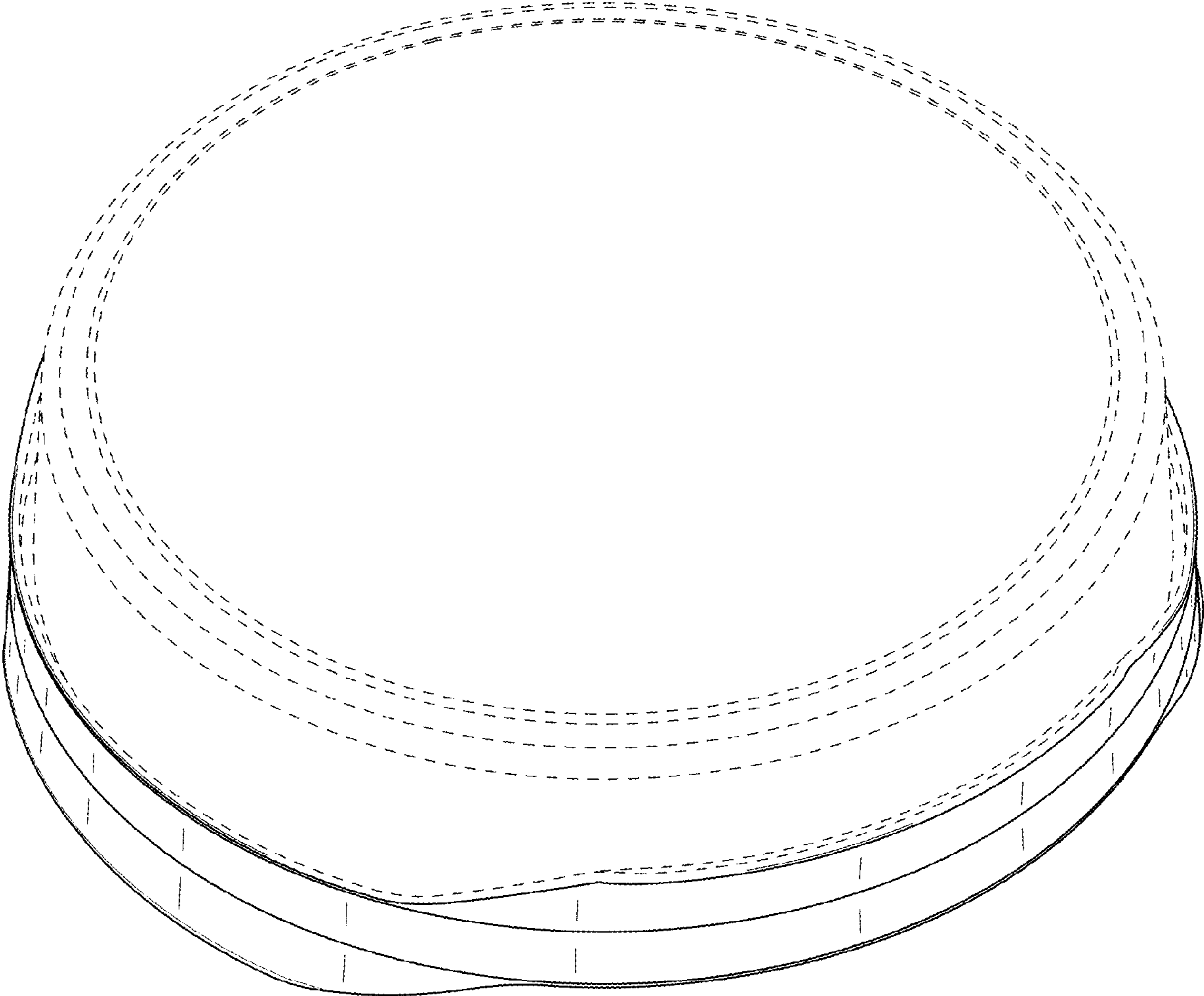


FIG. 1

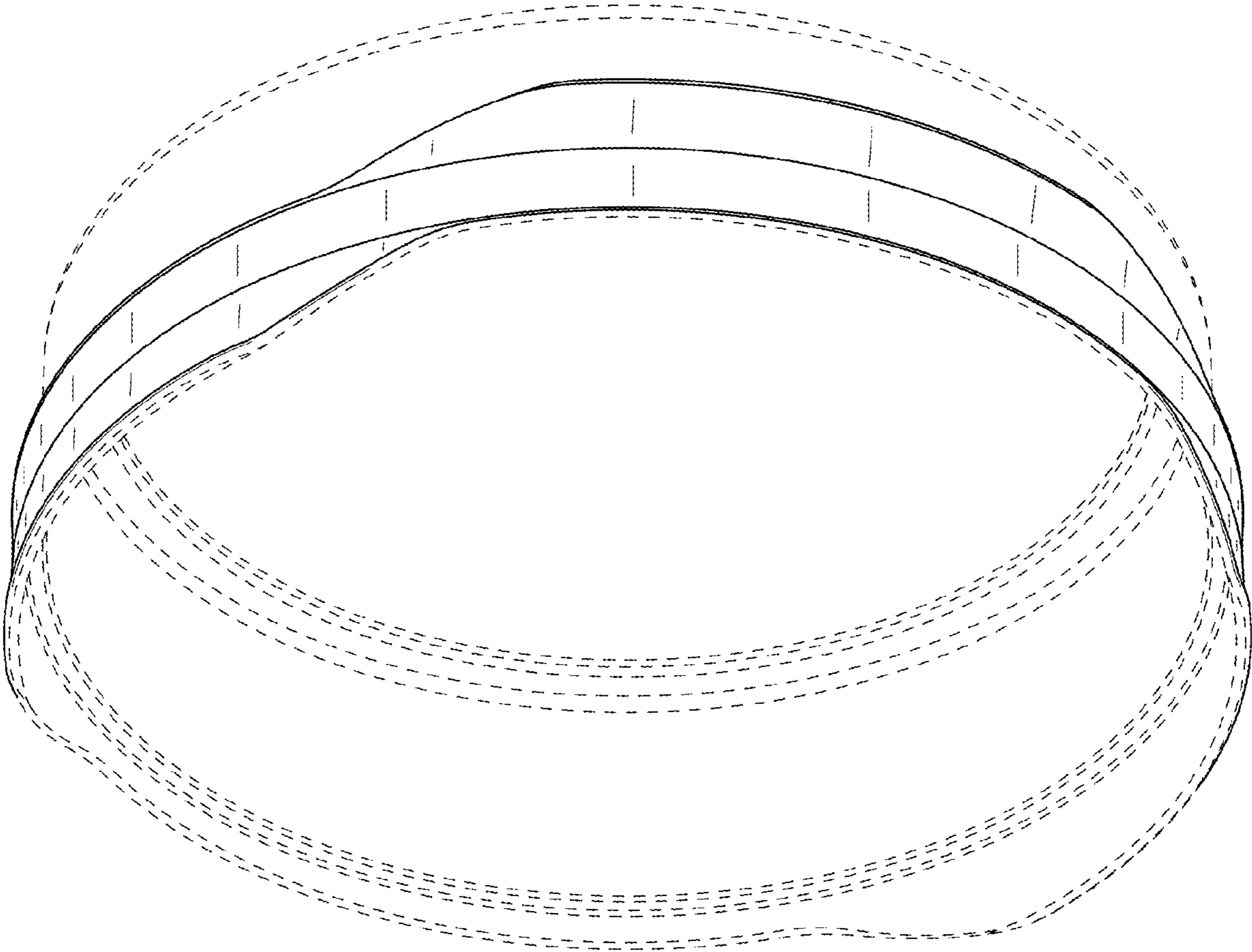


FIG. 2

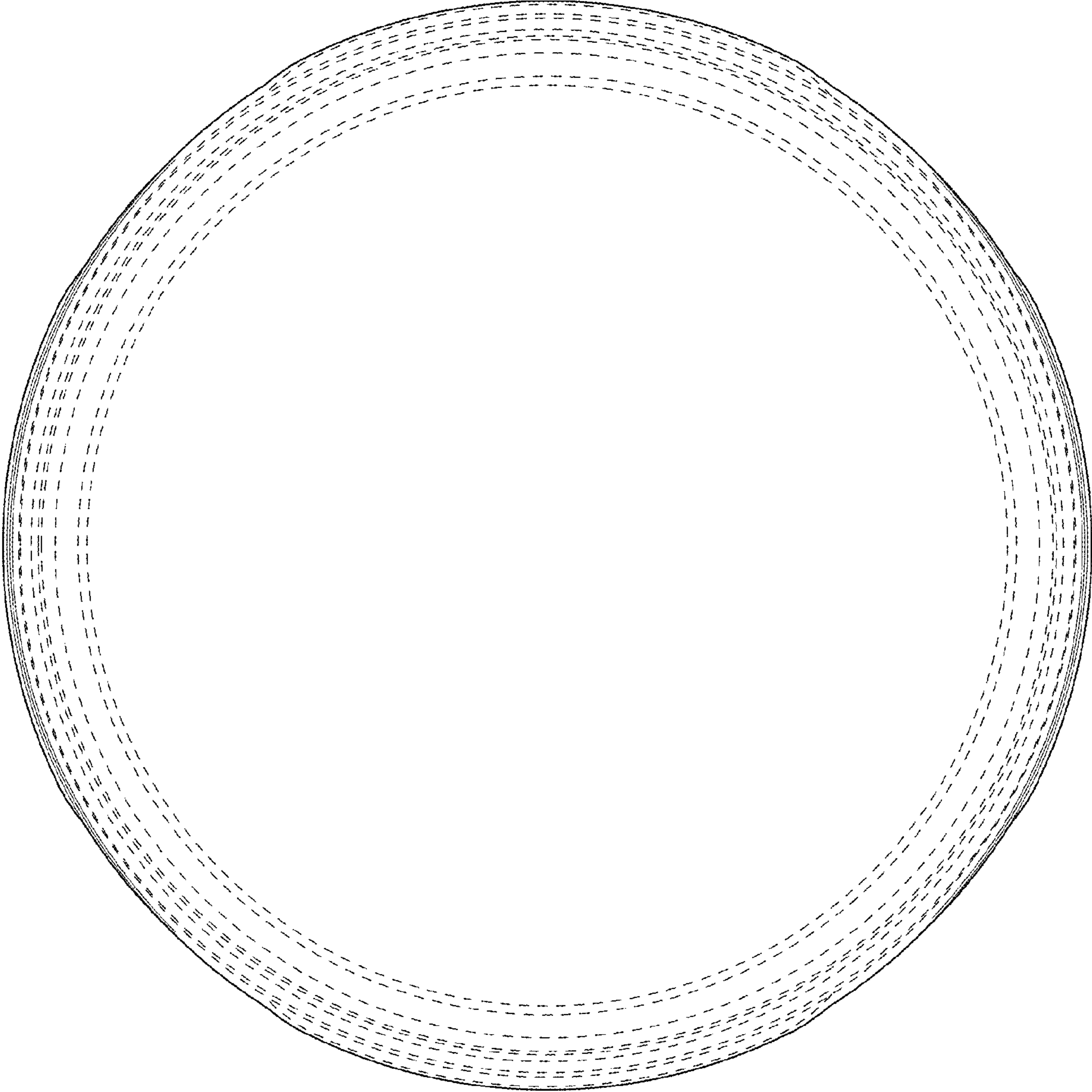


FIG. 3

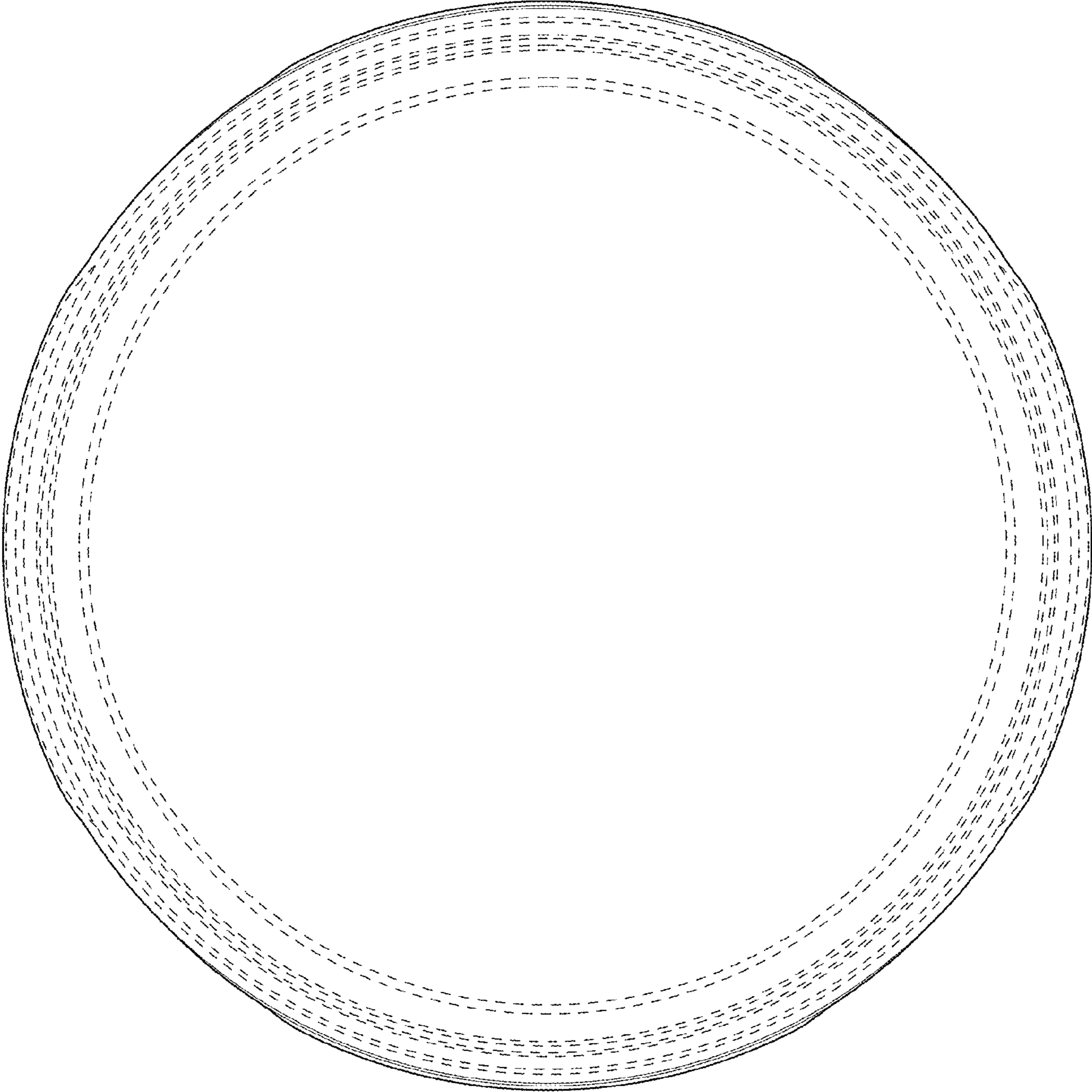


FIG. 4

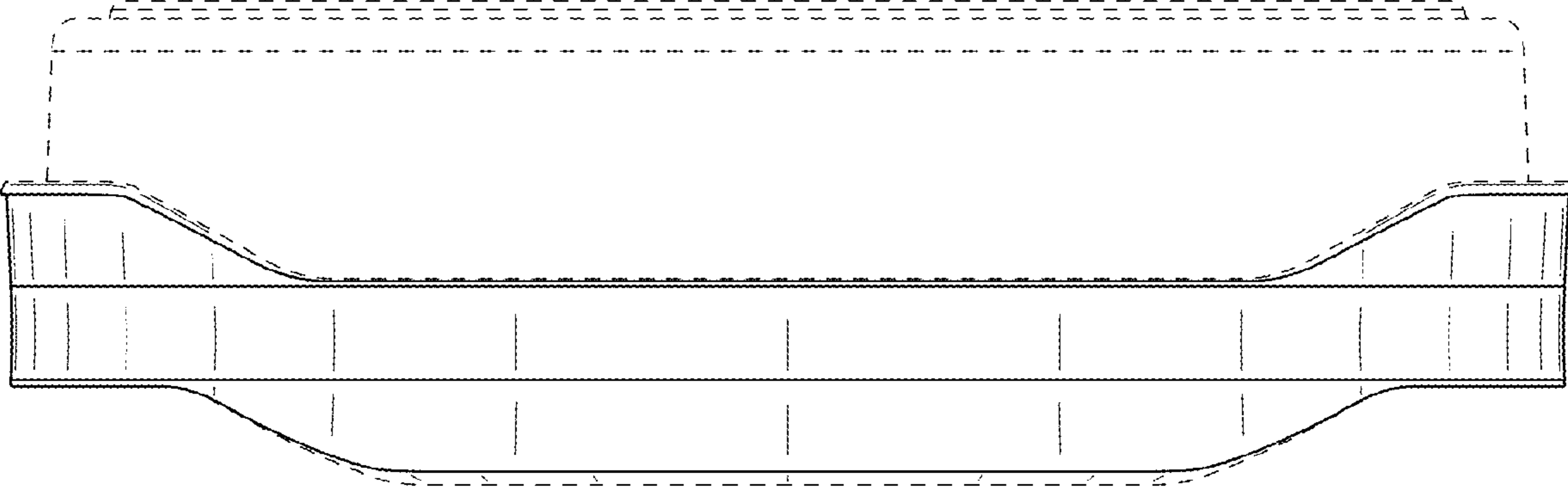


FIG. 5

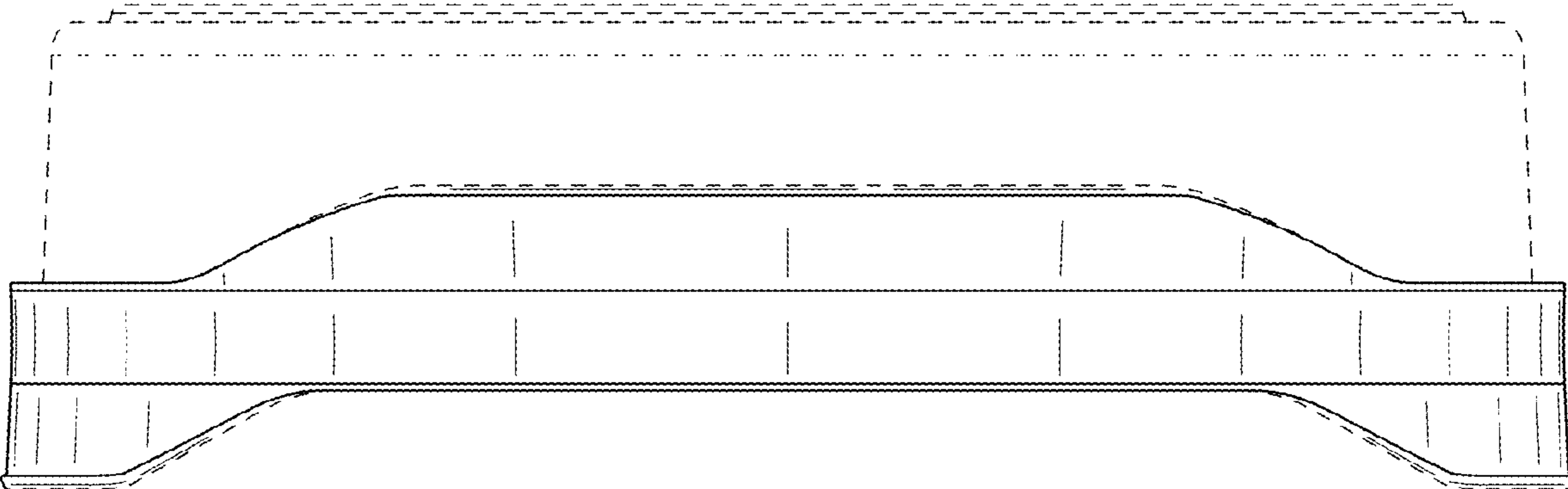


FIG. 6