



US0D1122080S

(12) **United States Design Patent**
Bunch et al.

(10) **Patent No.:** **US D1,122,080 S**
(45) **Date of Patent:** **** Apr. 14, 2026**

(54) **VERTICALLY TRAVERSING ENGAGEMENT
CAP FOR A TILE LEVELING DEVICE**

D775,935 S 1/2017 Sarajian et al.
D837,016 S * 1/2019 Psaila D8/71
10,392,816 B2 8/2019 Chang
(Continued)

(71) Applicant: **Acufloor, L.L.C.**, North Richland Hills,
TX (US)

OTHER PUBLICATIONS

(72) Inventors: **Clinton D. Bunch**, Keller, TX (US);
Joshua A. Bunch, Keller, TX (US)

RTC Spin Doctor Tile Leveling System Caps, posted Jul. 11, 2016
[online]. [retrieved May 1, 2025]. Retrieved from internet, <https://www.amazon.com/Spin-Doctor-Leveling-System-100pc/dp/B01IACPX9M?th=1> (Year: 2016).*

(73) Assignee: **Acufloor, L.L.C.**, North Richland Hills,
TX (US)

Primary Examiner — Christian P. Mclean
Assistant Examiner — Benjamin L. Gray
(74) *Attorney, Agent, or Firm* — Scott Griggs; Griggs
Bergen LLP

(**) Term: **15 Years**

(57) **CLAIM**

(21) Appl. No.: **29/912,465**

The ornamental design for a vertically traversing engage-
ment cap for a tile leveling device as shown and described.

(22) Filed: **Sep. 19, 2023**

DESCRIPTION

(51) **LOC (15) Cl.** **08-08**

(52) **U.S. Cl.**

USPC **D8/397**

(58) **Field of Classification Search**

USPC D8/349, 354, 373, 380, 394, 397, 382

CPC E04F 21/0092; E04F 21/20; E04F 21/22;

E04F 21/1877; E04F 21/1844; E04F

15/02022

See application file for complete search history.

FIG. 1 is a top front perspective view of a vertically
traversing engagement cap for a tile leveling device;

FIG. 2 is a bottom rear perspective view of the vertically
traversing engagement cap for a tile leveling device shown
in FIG. 1;

FIG. 3 is a top plan view of the vertically traversing
engagement cap for a tile leveling device shown in FIG. 1;

FIG. 4 is a bottom plan view of the vertically traversing
engagement cap for a tile leveling device shown in FIG. 1;

FIG. 5 is a front elevation view of the vertically traversing
engagement cap for a tile leveling device shown in FIG. 1;

FIG. 6 is a rear elevation view of the vertically traversing
engagement cap for a tile leveling device shown in FIG. 1;

FIG. 7 is a left side elevation view of the vertically traversing
engagement cap for a tile leveling device shown in FIG. 1; and,

FIG. 8 is a right side elevation view of the vertically
traversing engagement cap for the tile leveling device shown
in FIG. 1.

(56) **References Cited**

U.S. PATENT DOCUMENTS

D388,312 S * 12/1997 Sorkin D8/354

D491,443 S * 6/2004 Lowery D8/380

D500,668 S * 1/2005 Kelly D8/354

D578,379 S * 10/2008 Sorkin D8/354

D630,077 S 1/2011 Kufner et al.

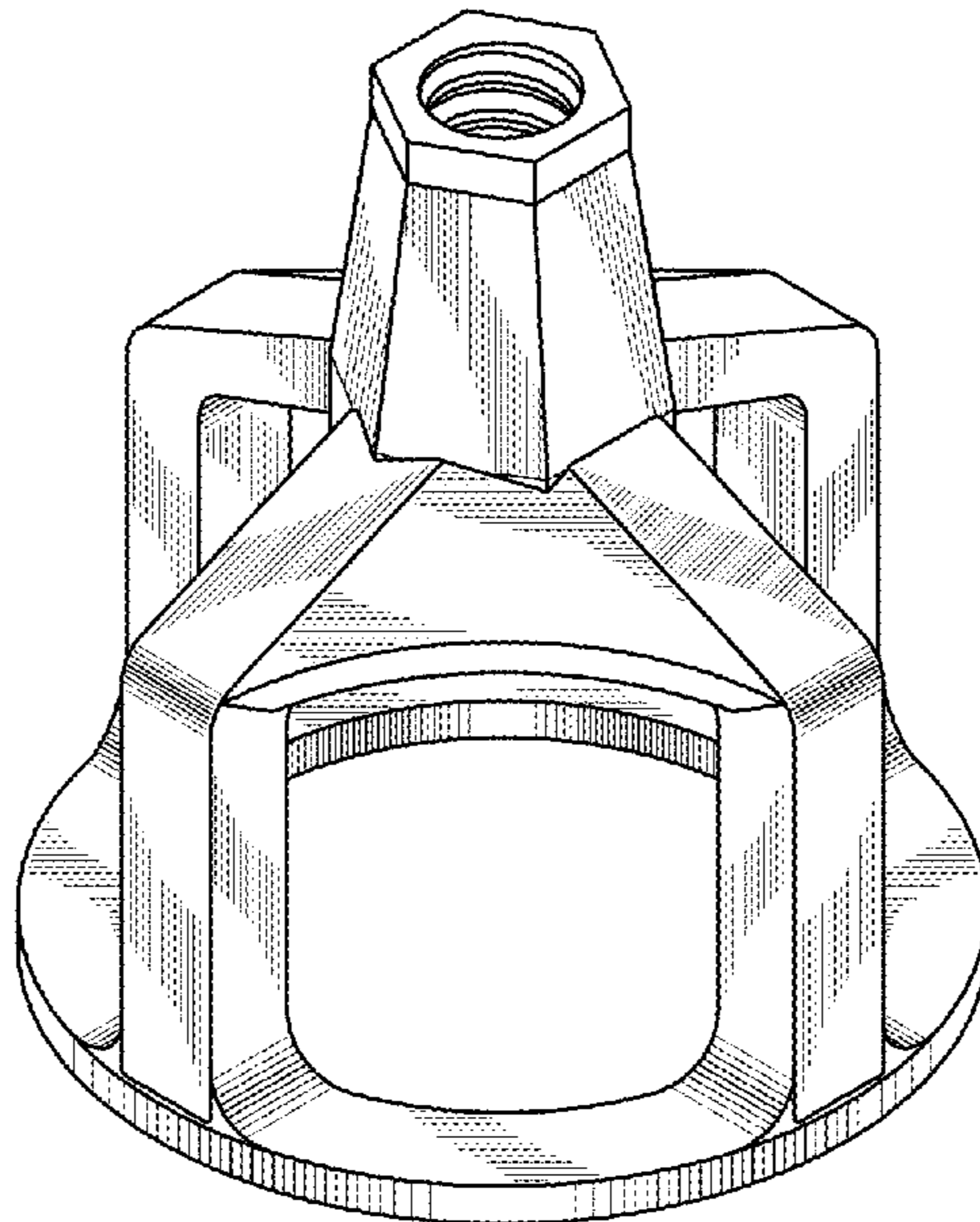
8,028,490 B2 * 10/2011 Kelly E04C 5/20

D25/199

9,279,259 B1 3/2016 Russo

9,322,185 B1 4/2016 Russo

1 Claim, 2 Drawing Sheets



(56)

References Cited

U.S. PATENT DOCUMENTS

10,577,813	B2 *	3/2020	Dahill	E04F 21/22
11,002,025	B2	5/2021	Sighinolfi	
11,428,019	B2	8/2022	Sighinolfi	
2013/0247508	A1	9/2013	Hoffman et al.	
2015/0211243	A1 *	7/2015	Irvine	E04F 15/02 52/749.11
2016/0369518	A1	12/2016	Sarajian et al.	
2019/0093372	A1	3/2019	Russo	
2022/0372772	A1 *	11/2022	Quesada Barbero ...	E04F 21/22
2023/0091132	A1 *	3/2023	Caruso	E04F 21/0092 52/126.5
2025/0043577	A1 *	2/2025	Sighinolfi	E04F 21/22

* cited by examiner

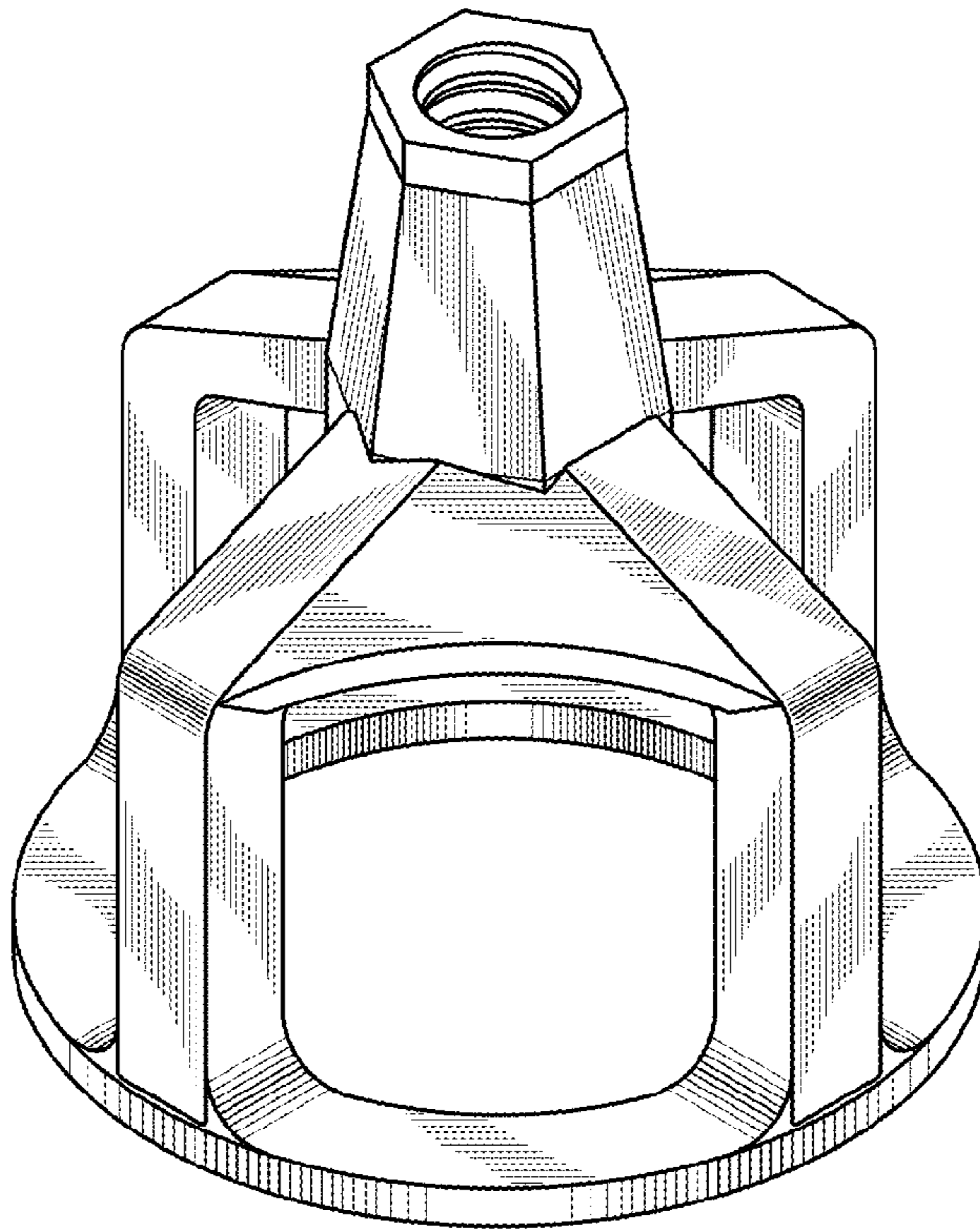


Fig.1

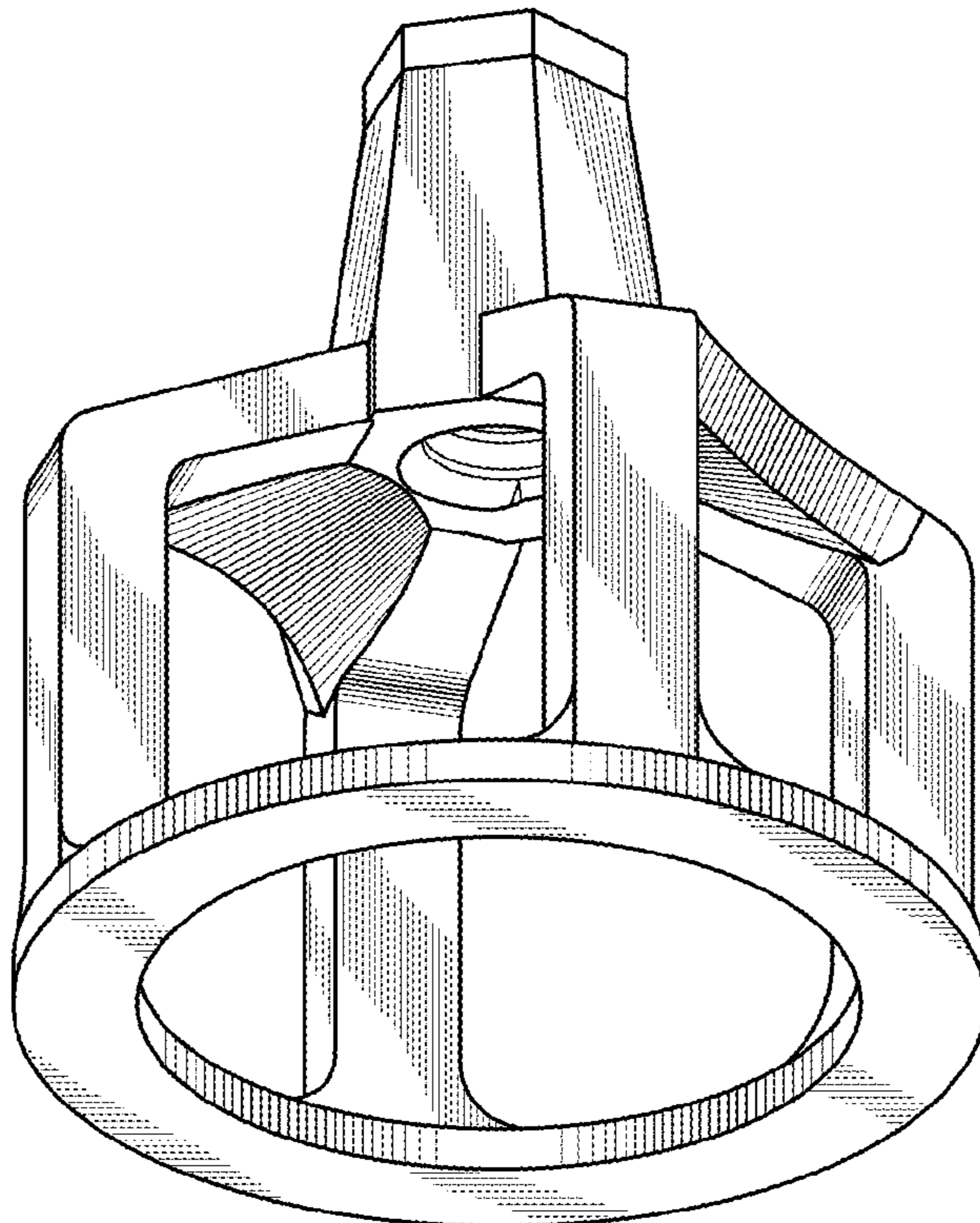


Fig.2

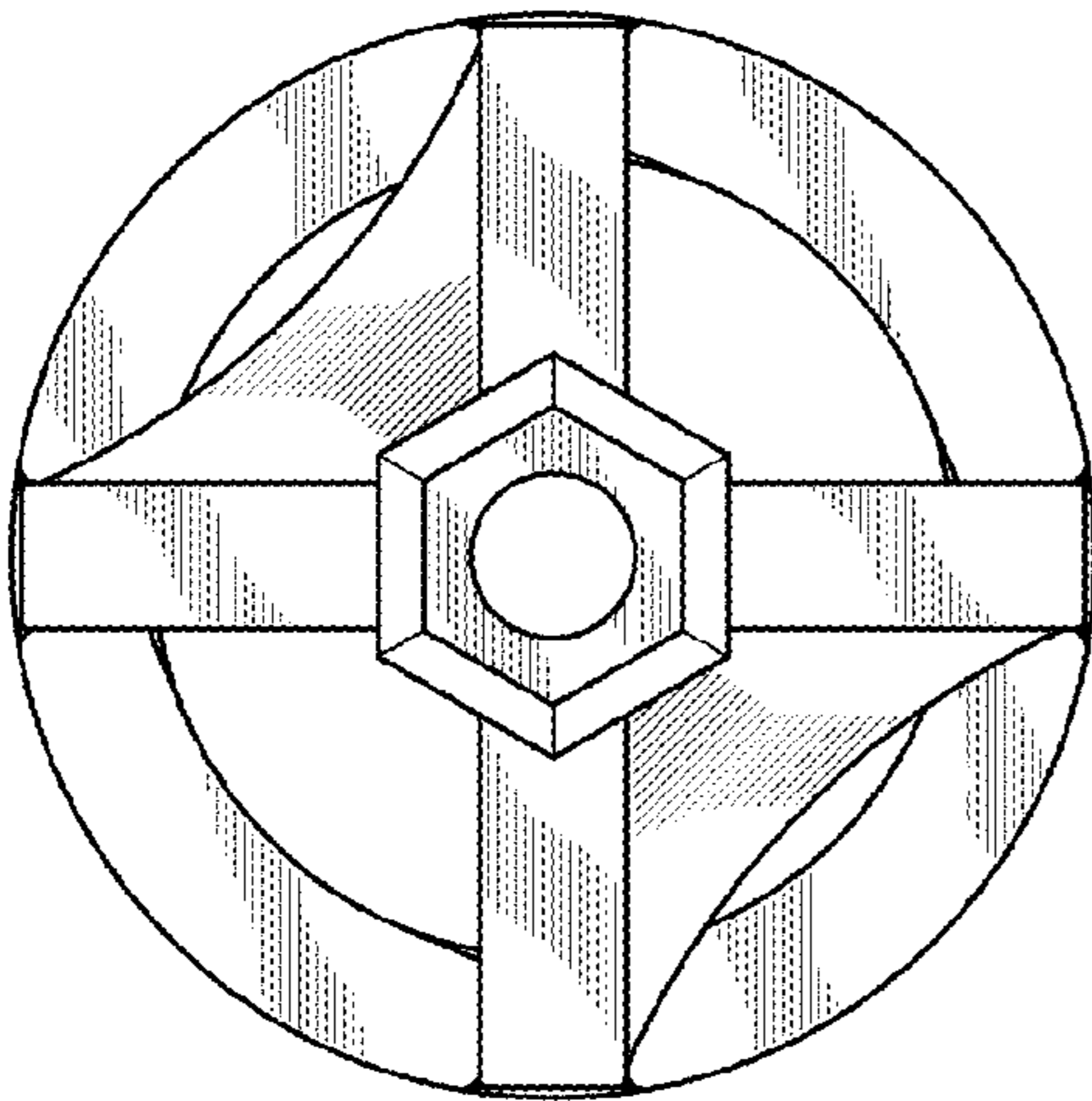


Fig.3

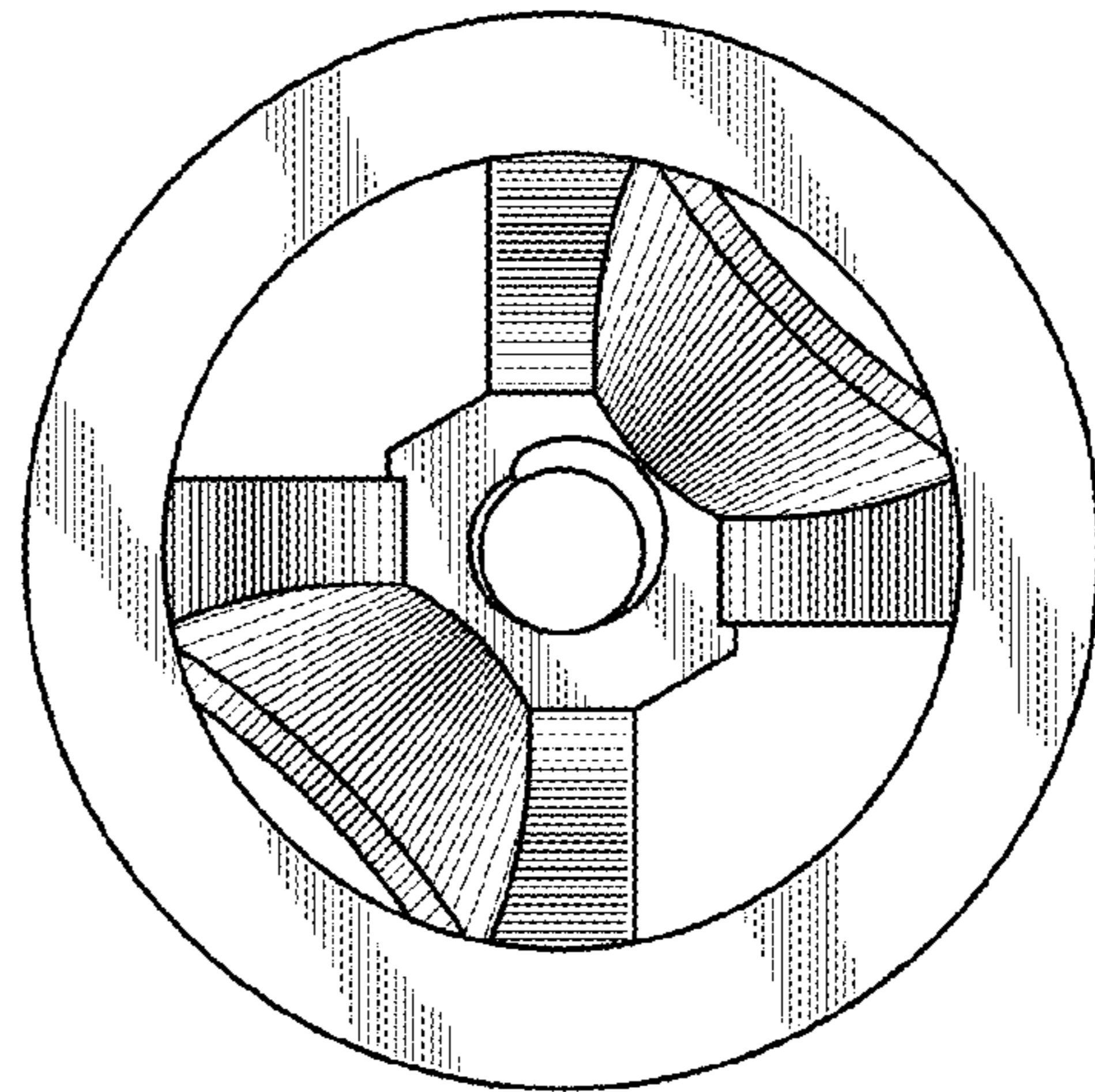


Fig.4

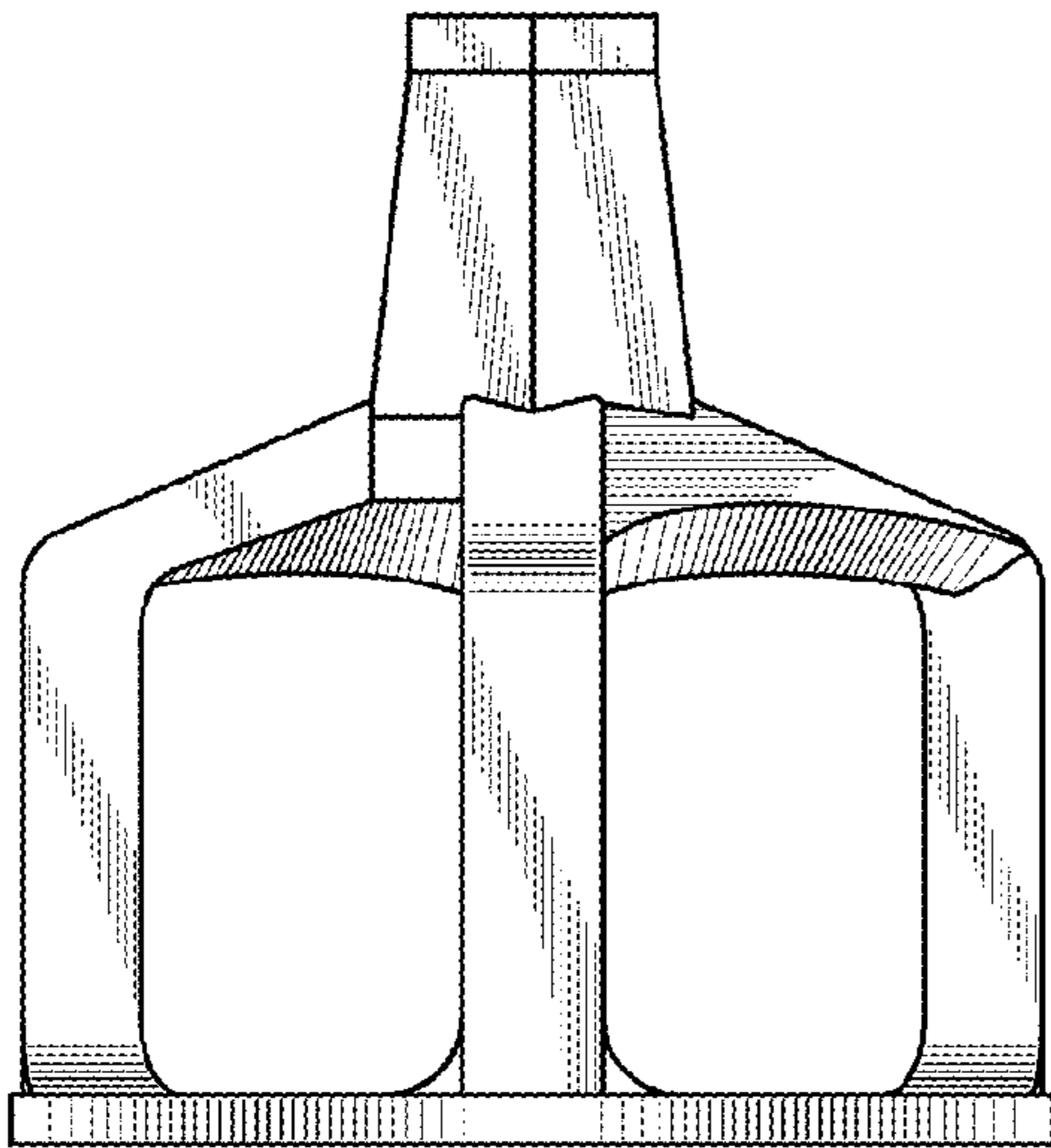


Fig.5

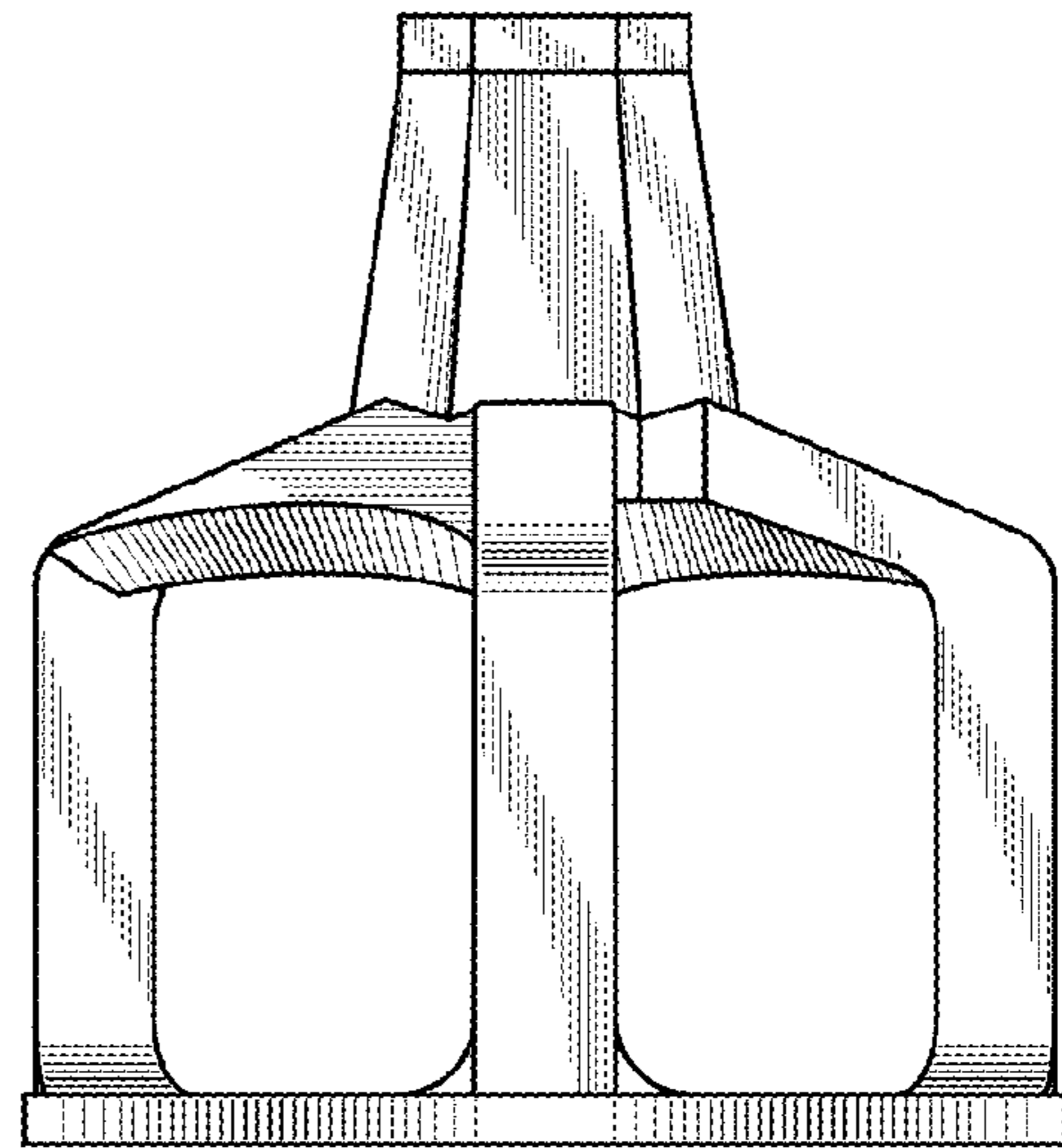


Fig.6

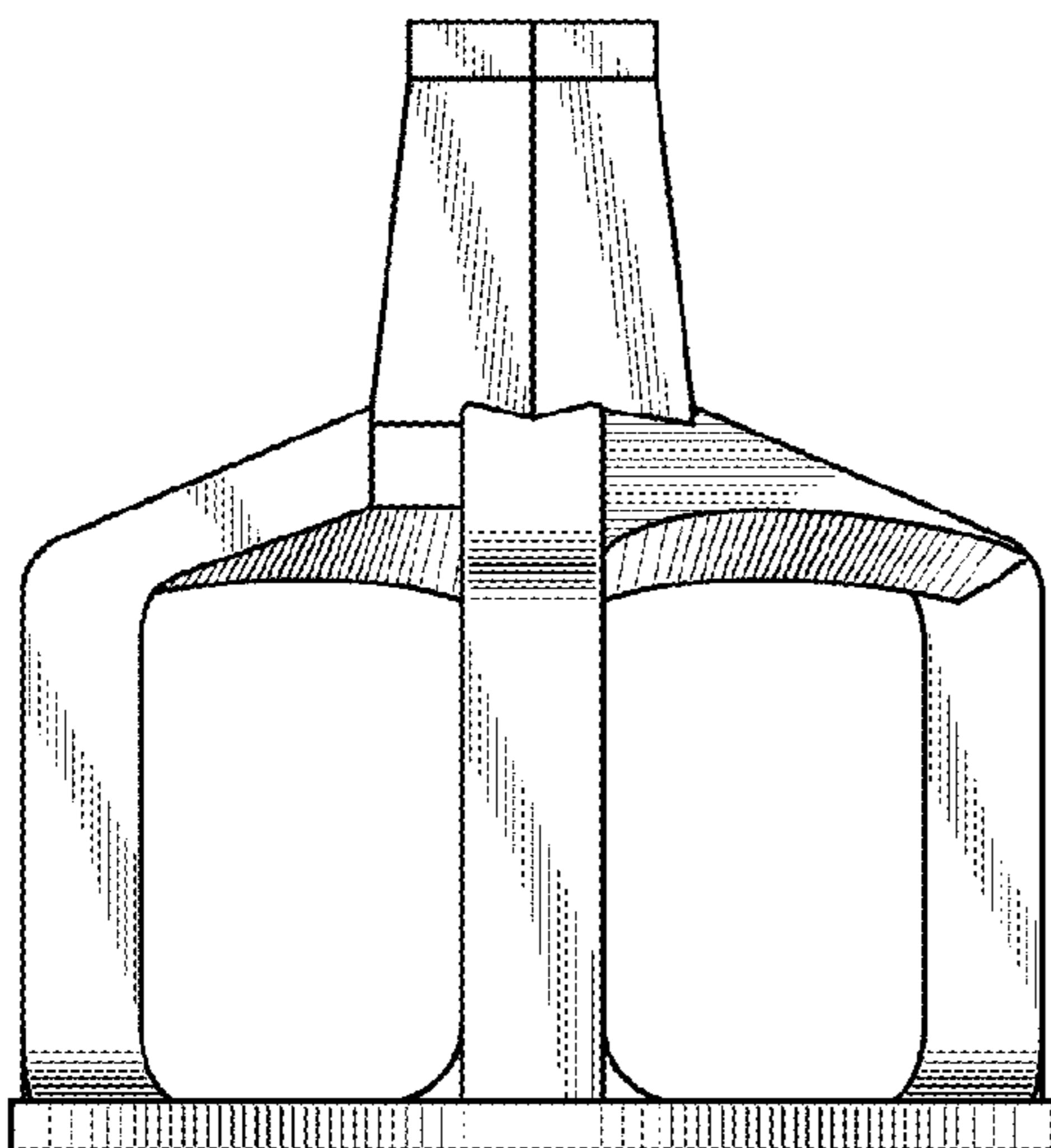


Fig.7

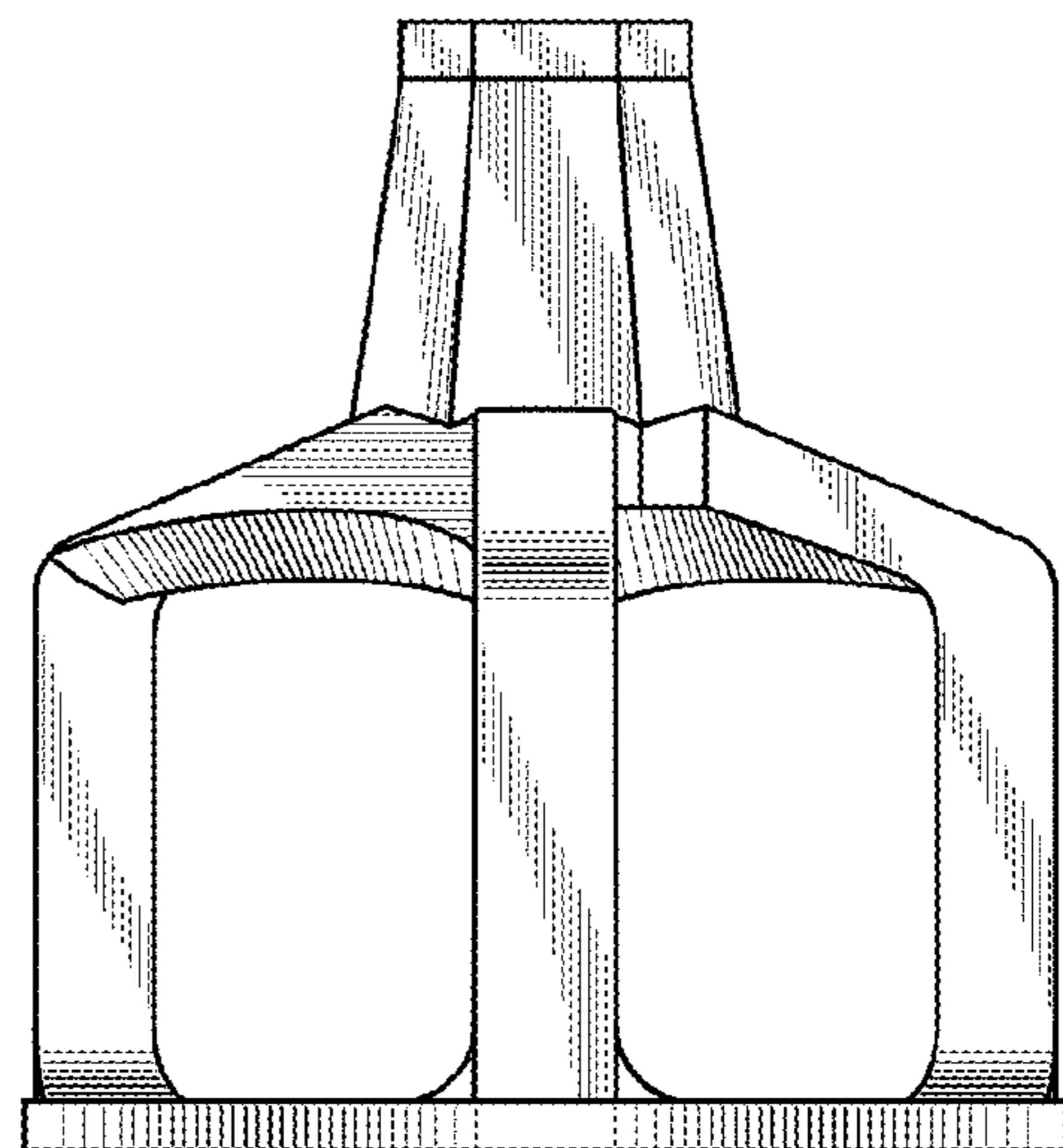


Fig.8