



US0D1121828S

(12) **United States Design Patent** (10) **Patent No.:** **US D1,121,828 S**
DiGiovanni (45) **Date of Patent:** **** Apr. 7, 2026**

(54) **SET OF TOE SEPARATORS**

(71) Applicant: **Medi-Dyne Healthcare Products, Ltd.**,
Colleyville, TX (US)

(72) Inventor: **Craig DiGiovanni**, Colleyville, TX
(US)

(73) Assignee: **Medi-Dyne Healthcare Products, Ltd.**,
Colleyville, TX (US)

(**) Term: **15 Years**

(21) Appl. No.: **29/988,854**

(22) Filed: **Feb. 7, 2025**

(51) **LOC (15) Cl.** **24-04**

(52) **U.S. Cl.**
USPC **D24/192; D28/57**

(58) **Field of Classification Search**
USPC D24/188-190, 192; D28/56, 57
CPC A43B 7/26; A45D 29/22; A61F 5/019
See application file for complete search history.

(56) **References Cited**

U.S. PATENT DOCUMENTS

1,163,490	A *	12/1915	Weil	A61F 5/019
					132/73
2,517,232	A *	8/1950	Patulski	A45D 29/22
					132/73
2,595,640	A *	5/1952	Christopoulos	A45D 29/22
					132/73
3,168,095	A *	2/1965	Magee	A61F 5/019
					602/30
D393,931	S *	4/1998	Rue	D28/61
D415,858	S *	10/1999	Funatogawa	D28/56
D556,381	S *	11/2007	Kennedy	D28/57
D591,487	S *	5/2009	Hayek	D2/916

(Continued)

FOREIGN PATENT DOCUMENTS

CN 306405359 S * 3/2021

OTHER PUBLICATIONS

The 6 Best Toe Separators That Can Help Prevent Injury and Relieve Pain, Runner's World, Danny Perez Feb. 7, 2024, retrieved Dec. 17, 2025.*

(Continued)

Primary Examiner — Jennifer L Watkins

(74) *Attorney, Agent, or Firm* — Sheri Higgins Law, PLLC; Sheri Higgins

(57) **CLAIM**

The ornamental design for a set of toe separators as shown and described.

DESCRIPTION

FIG. 1 is a front, perspective view of a set of toe separators for a right foot of a user showing my new design according to an embodiment.

FIG. 2 is a perspective view of FIG. 1 on a right foot of a user from a position of laying down.

FIG. 3 is left-side view of FIG. 1.

FIG. 4 is a right-side view of FIG. 1.

FIG. 5 is a front view of FIG. 1.

FIG. 6 is a back view of FIG. 1.

FIG. 7 is a top view of FIG. 1.

FIG. 8 is a bottom view of FIG. 1.

FIG. 9 is left-side view of a set of toe separators for a left foot of a user showing my new design according to a second embodiment.

FIG. 10 is a right-side view of FIG. 9.

FIG. 11 is a front view of FIG. 9.

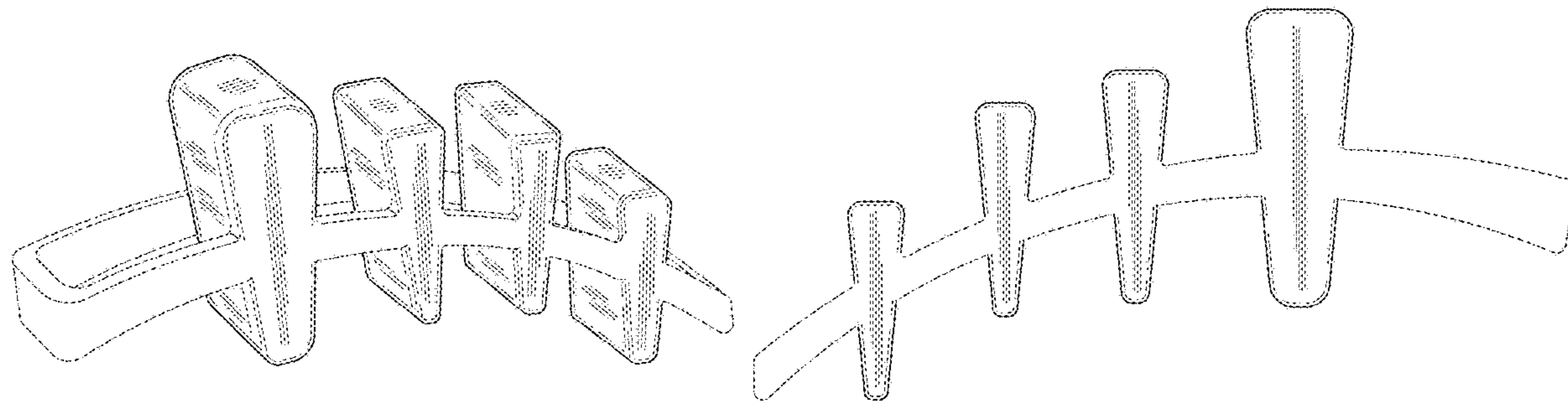
FIG. 12 is a back view of FIG. 9.

FIG. 13 is a top view of FIG. 9; and,

FIG. 14 is a bottom view FIG. 9.

The broken lines showing a human foot in FIG. 2 depict environment and form no part of the claim. All other broken lines depict portions of a set of toe separators and form no part of the claim.

1 Claim, 8 Drawing Sheets



(56)

References Cited

U.S. PATENT DOCUMENTS

D595,897 S * 7/2009 Moldauer D28/56
D600,818 S * 9/2009 Yang D24/215
D612,946 S * 3/2010 Ferri D24/200
D632,013 S * 2/2011 Irwin D28/57
7,951,103 B2 * 5/2011 Millet A61F 13/068
602/5
9,387,359 B2 * 7/2016 Ferri A61F 5/019
D835,793 S * 12/2018 Zhuang D28/57
D927,002 S * 8/2021 Kersen D24/192
D962,453 S * 8/2022 He D28/57
D1,064,300 S * 2/2025 Karvandi D28/57
2005/0251081 A1 * 11/2005 McClanahan A61F 5/10
602/30

OTHER PUBLICATIONS

Tuli's Soft Moves Adjustable Toe Separators, photo review Apr. 26, 2025, retrieved Dec. 17, 2025 at UR: https://www.amazon.com/Tulis-Adjustable-Separators-Alignment-Hammertoes/dp/B0F4DQSLC1/ref=cm_cr_arp_d_product_top?ie=UTF8&th=1.*

* cited by examiner

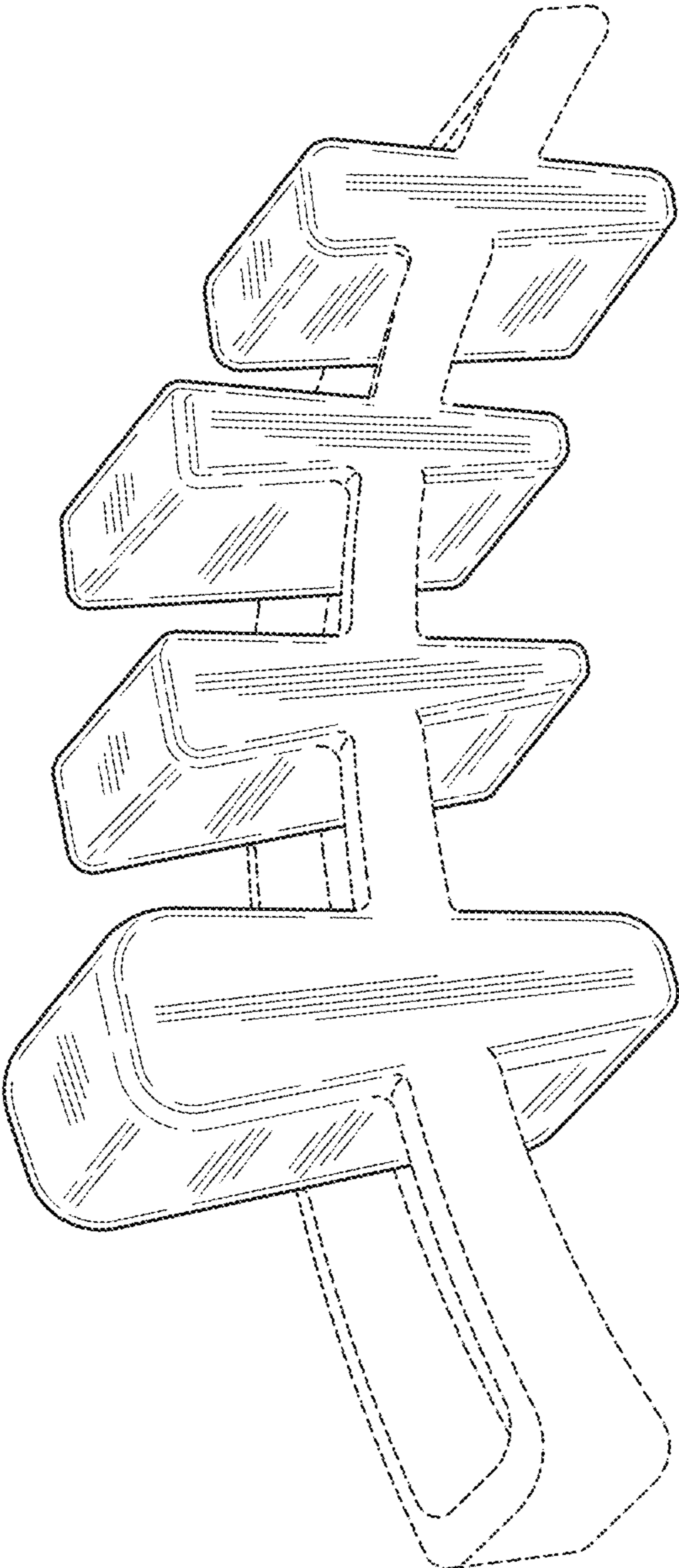


FIG. 1

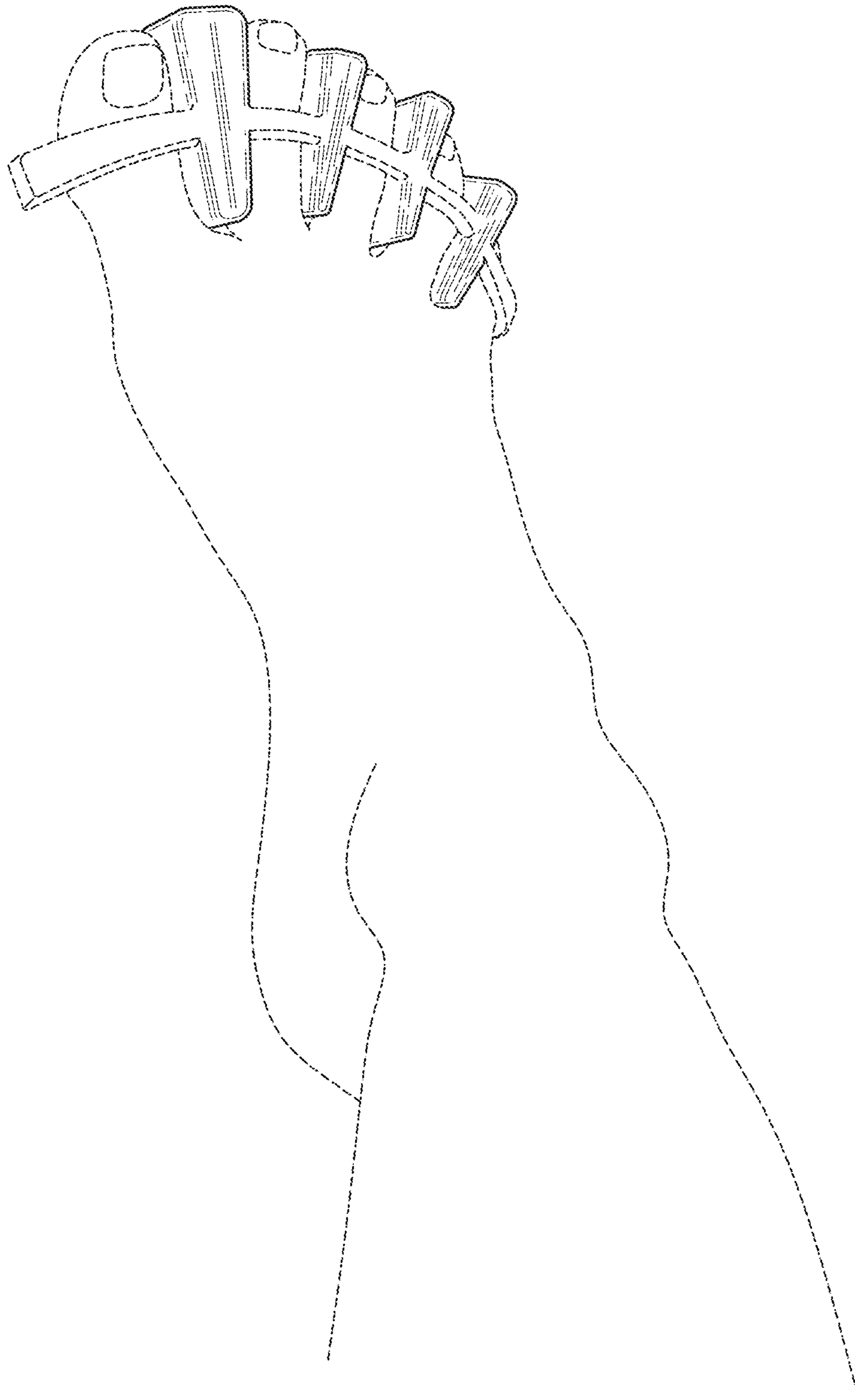


FIG.2

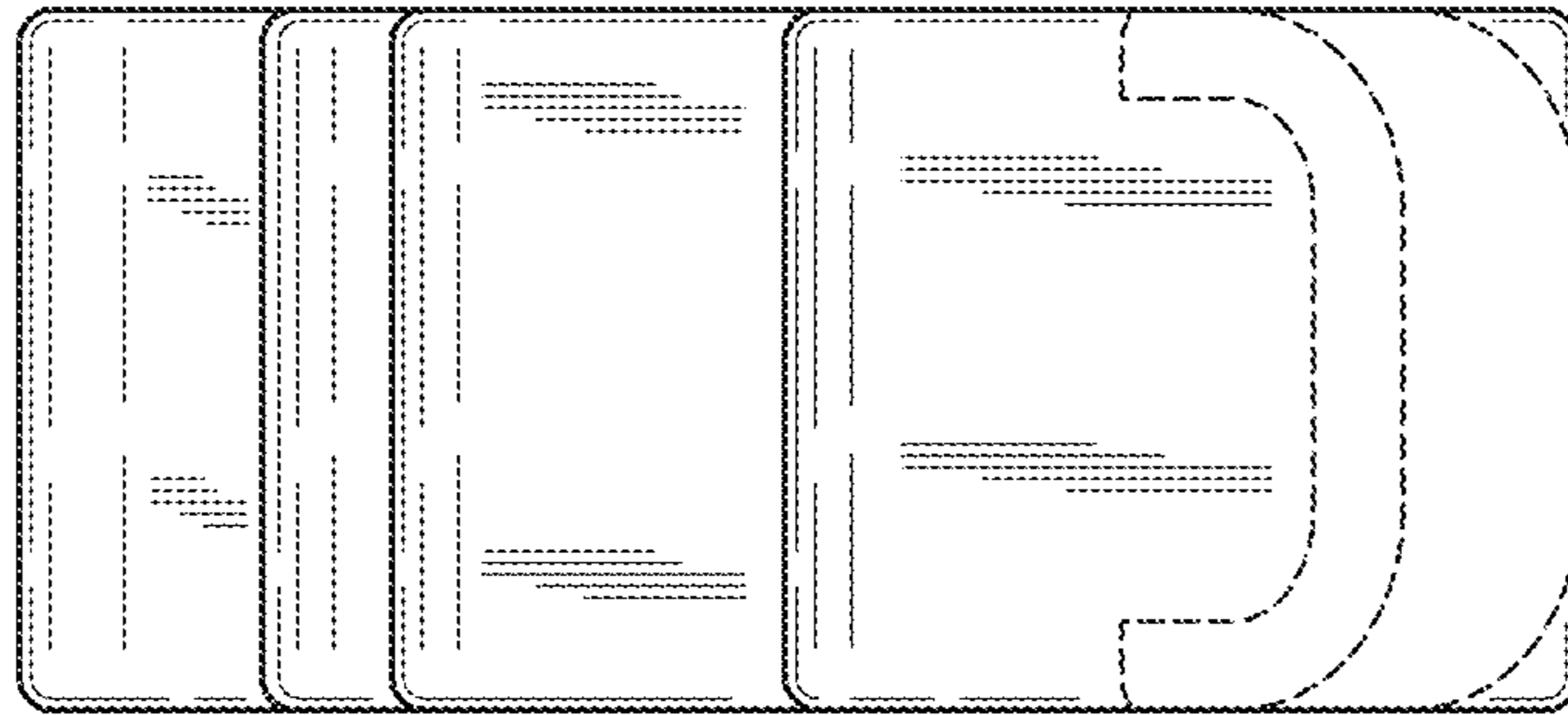


FIG. 4

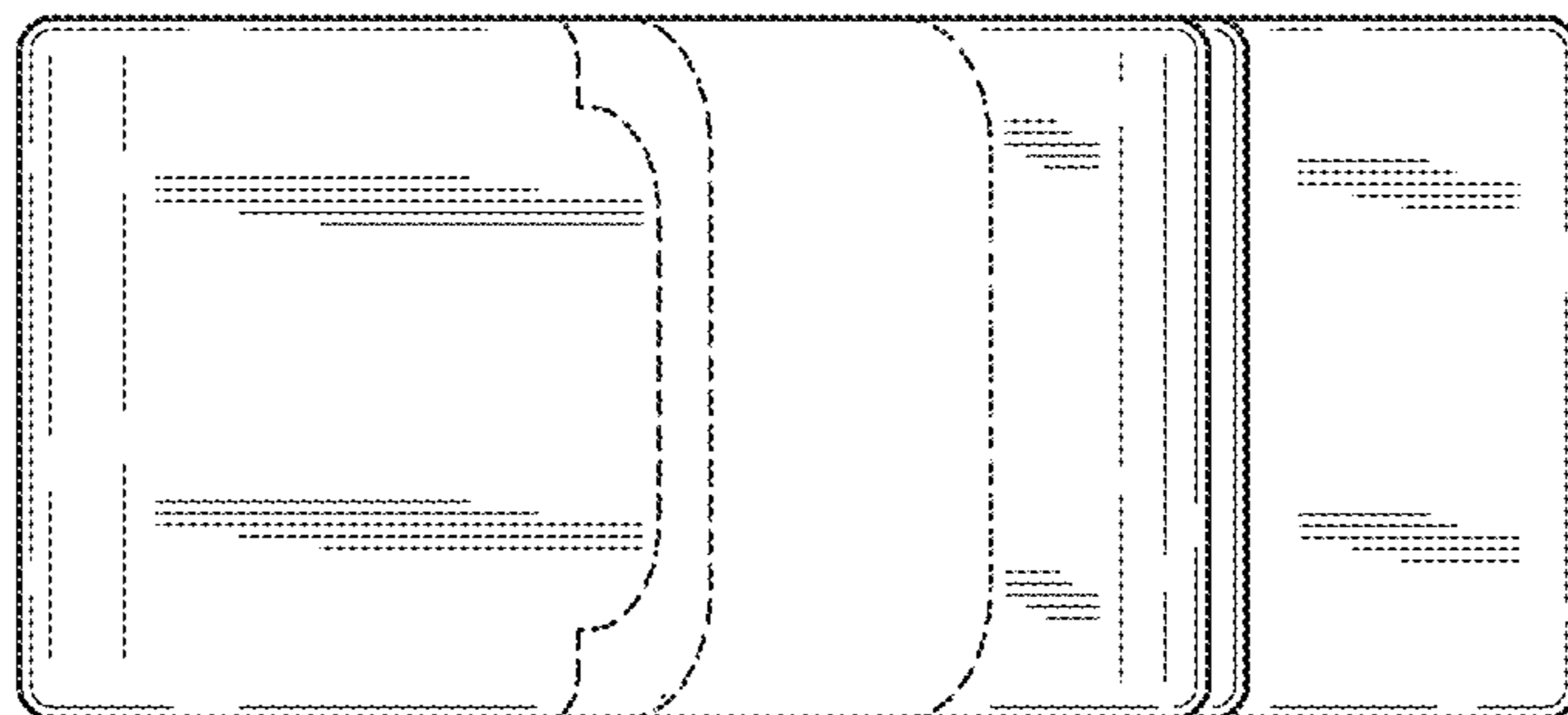


FIG. 3

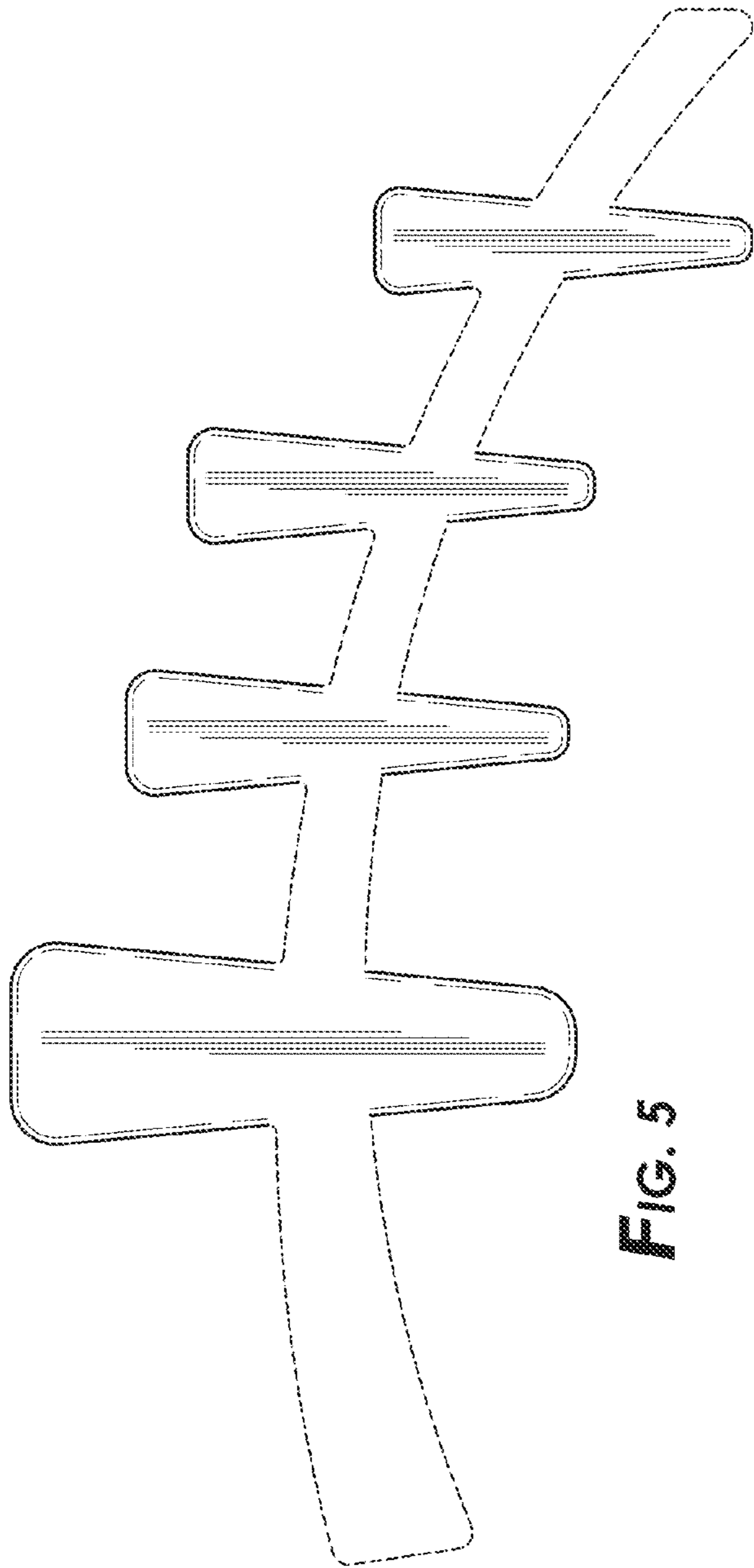


FIG. 5

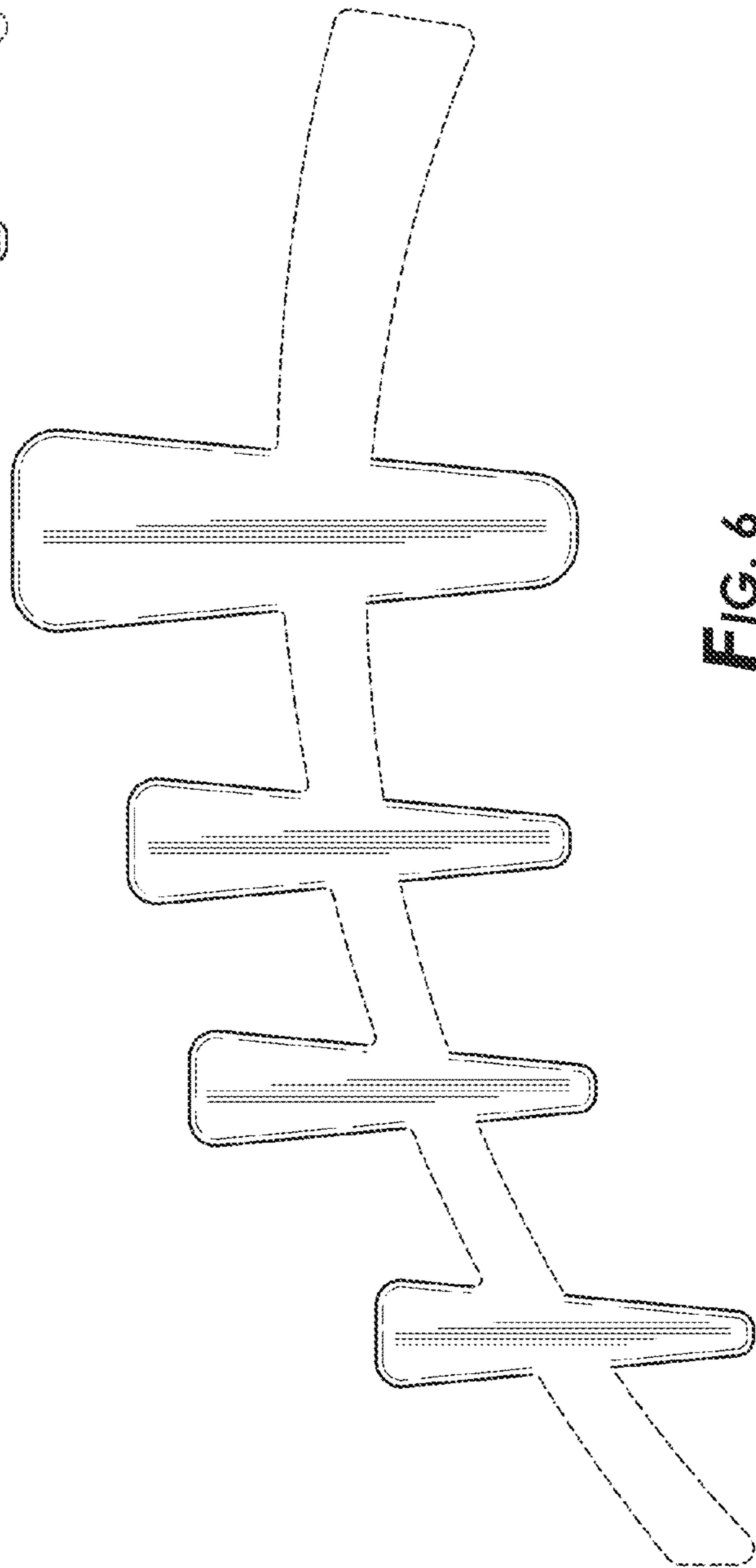


FIG. 6

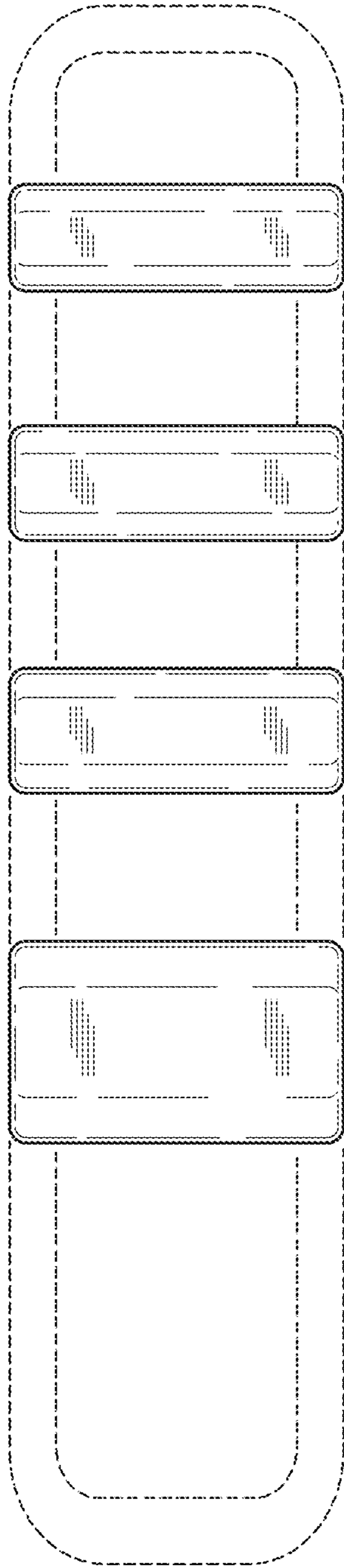


FIG. 7

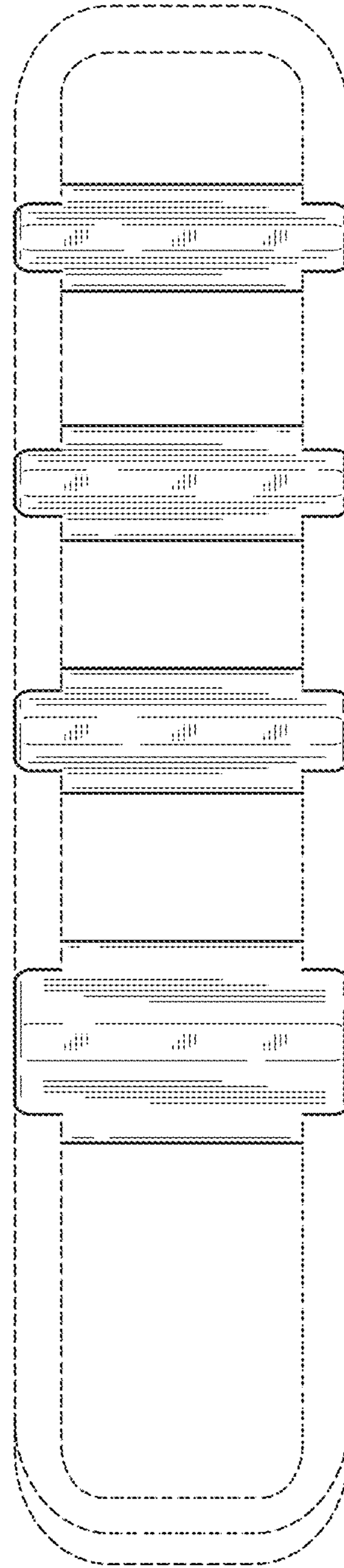


FIG. 8

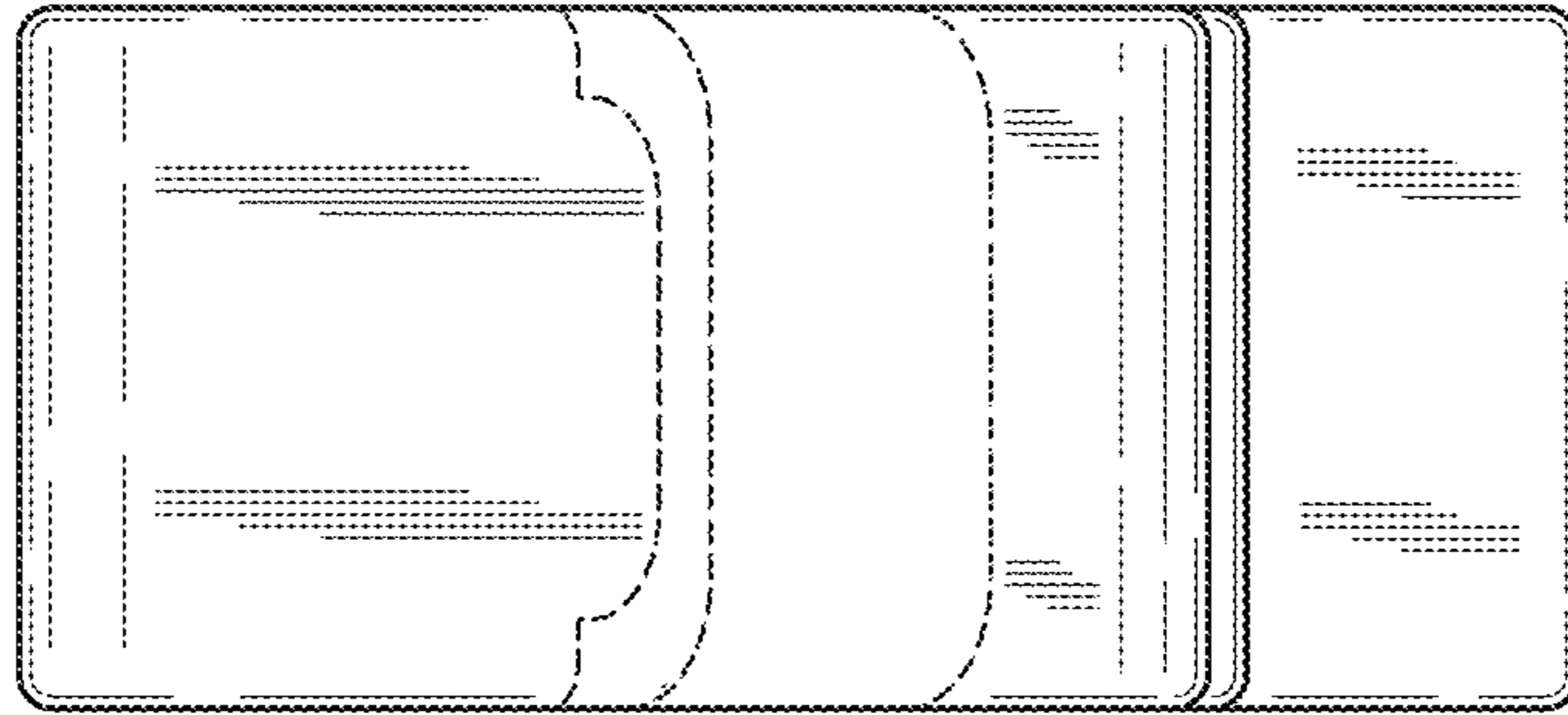


FIG. 10

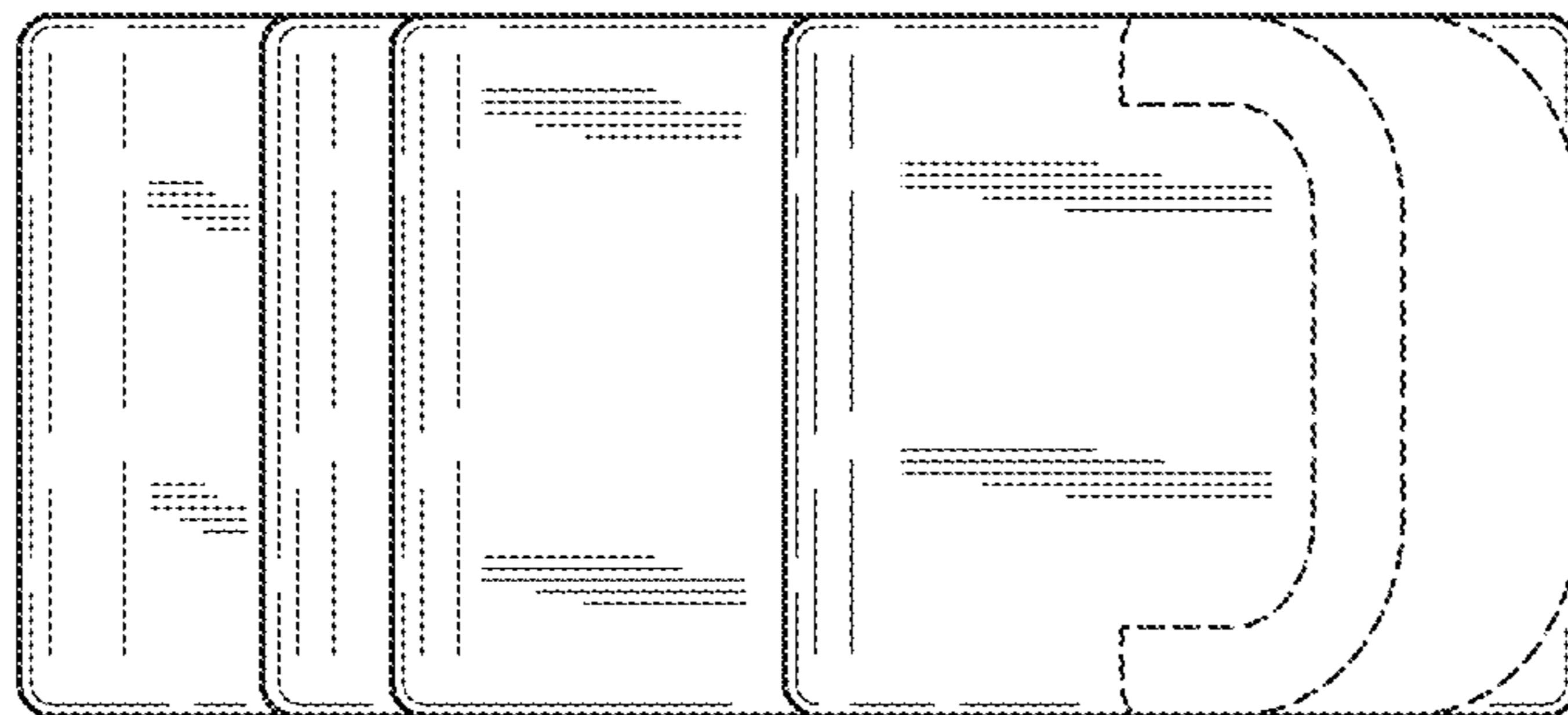


FIG. 9

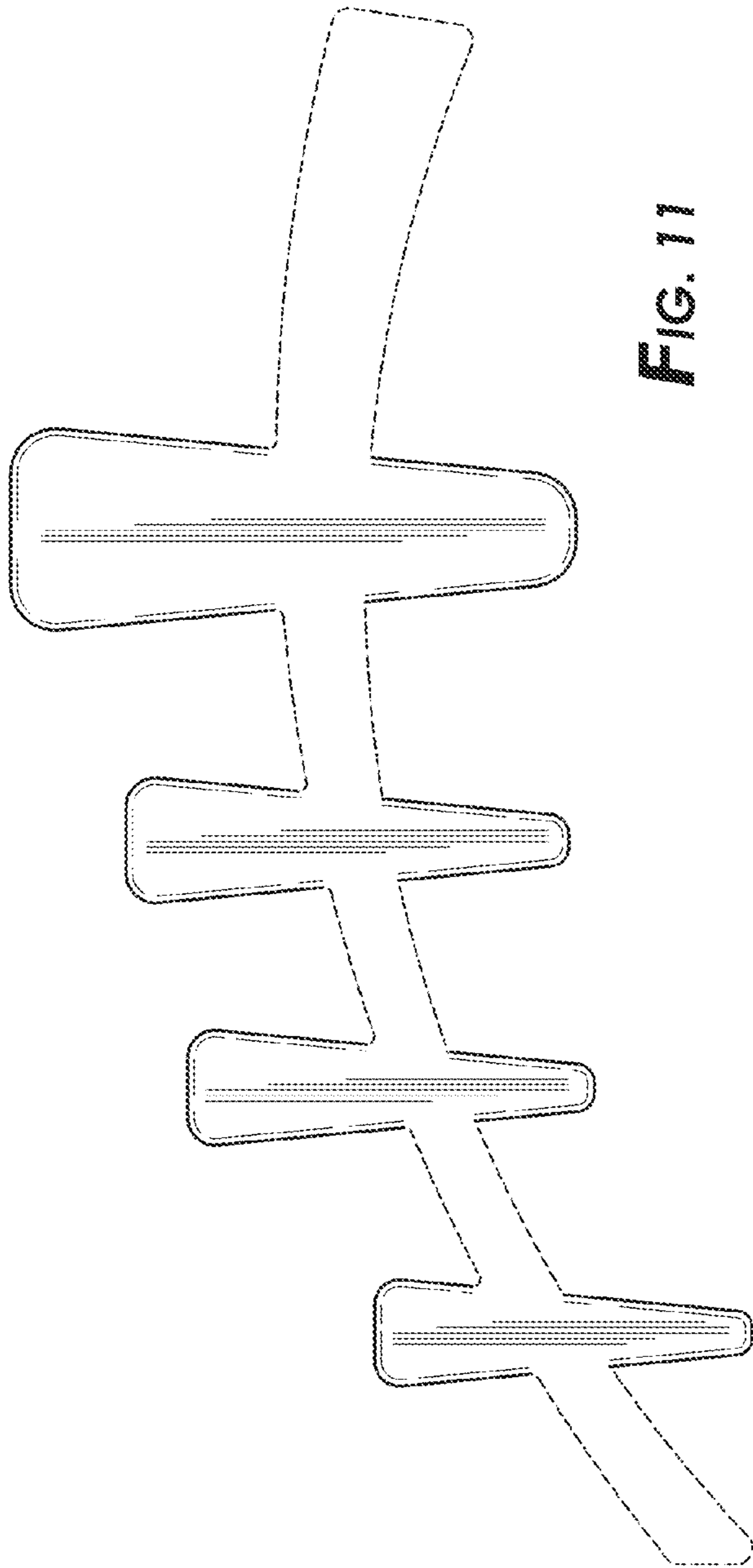


FIG. 11

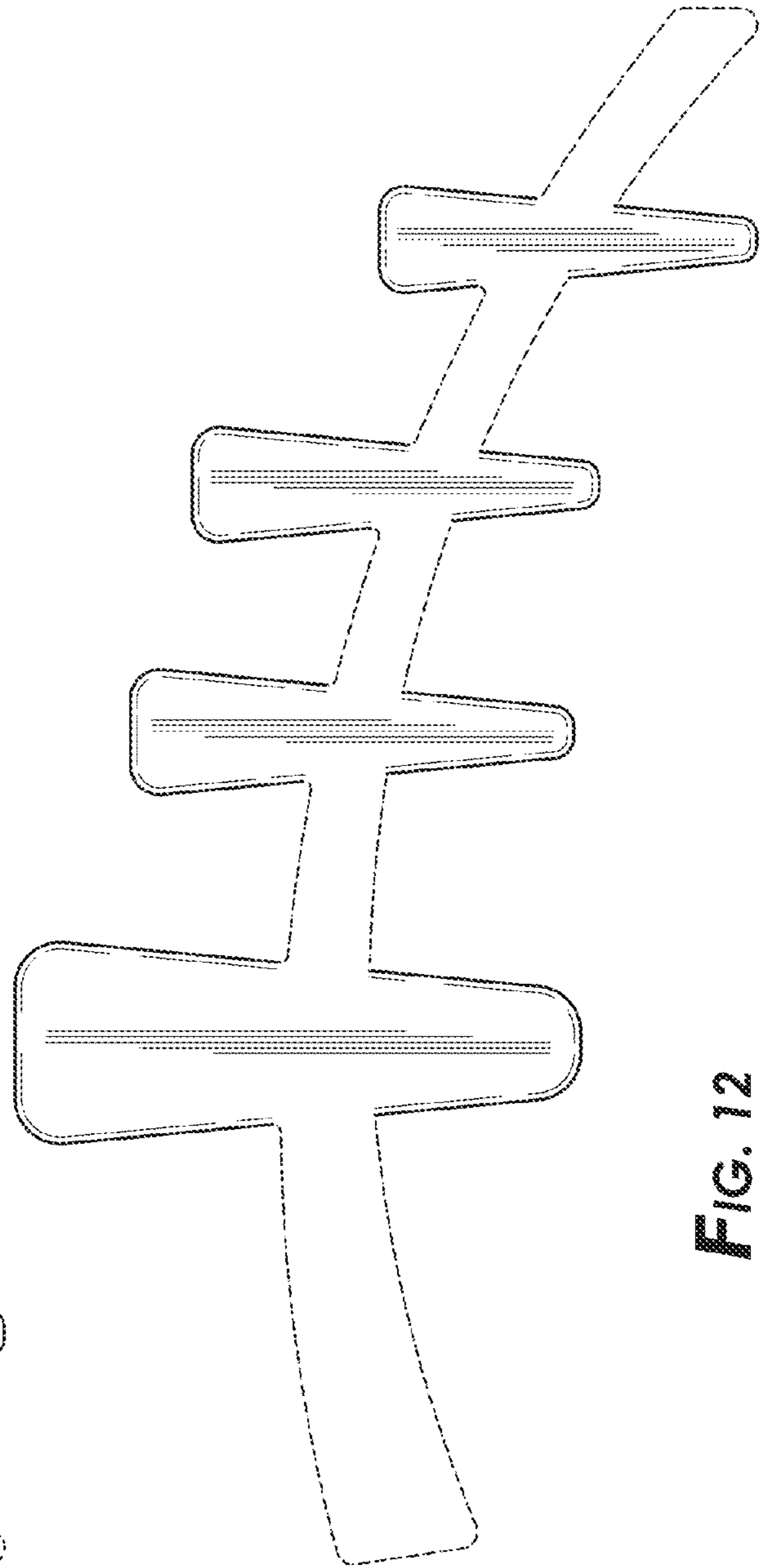


FIG. 12

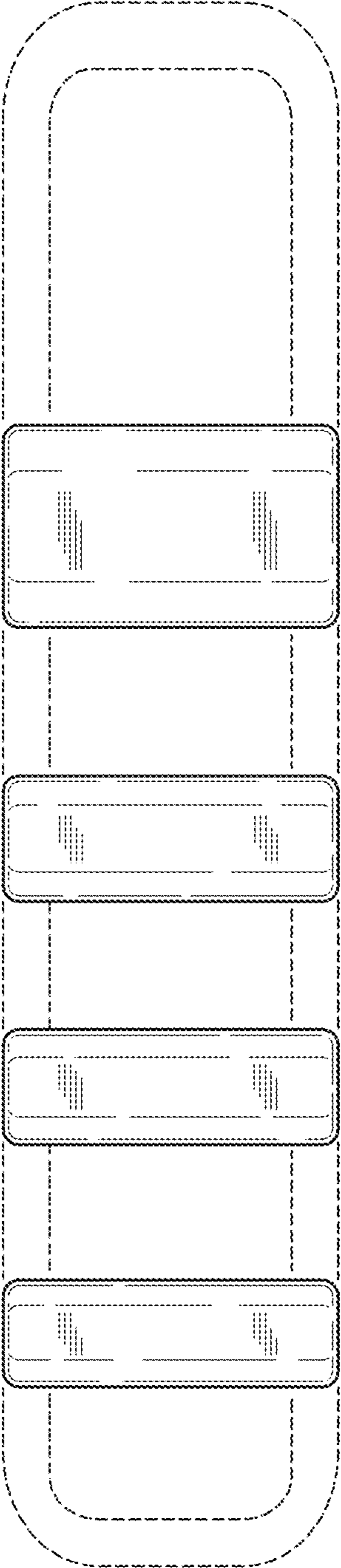


FIG. 13

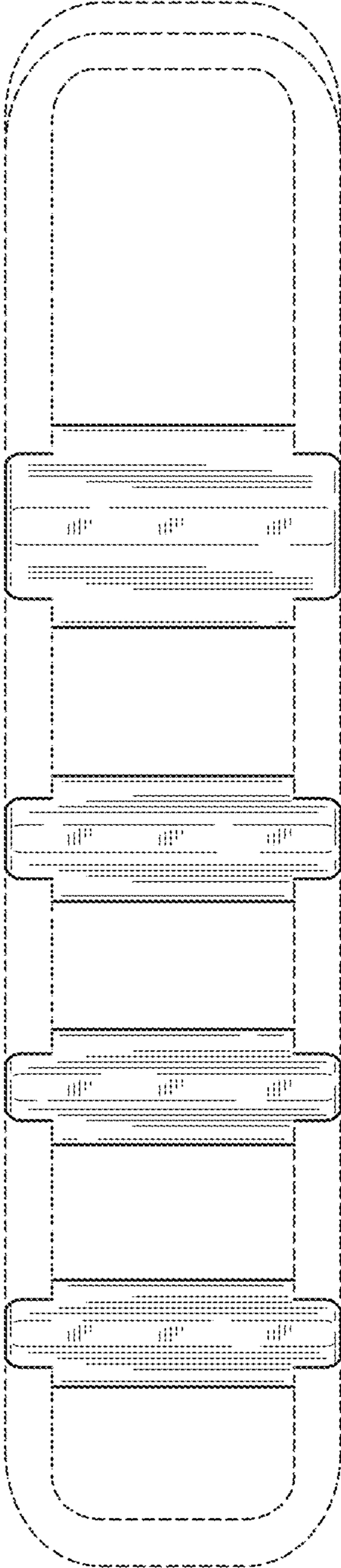


FIG. 14