



US0D1121743S

(12) **United States Design Patent**
Christensen et al.

(10) **Patent No.:** **US D1,121,743 S**

(45) **Date of Patent:** **** Apr. 7, 2026**

(54) **MODEL VEHICLE BRAKE CALIPER**

(71) Applicant: **TRAXXAS, L.P.**, McKinney, TX (US)

(72) Inventors: **Casey Christen Jens Christensen**,
Trenton, TX (US); **Jory Sprowl**, Howe,
TX (US); **Skylar Hagler**, Anna, TX
(US); **Randy Perez**, McKinney, TX
(US); **Terry Soward**, Van Alstyne, TX
(US); **Otto Karl Allmendinger**,
Rowlett, TX (US); **Adam Cole Ewing**,
McKinney, TX (US); **Kent Poteet**,
Lucas, TX (US)

(73) Assignee: **TRAXXAS, L.P.**, McKinney, TX (US)

(**) Term: **15 Years**

(21) Appl. No.: **29/988,037**

(22) Filed: **Jan. 29, 2025**

(51) **LOC (15) Cl.** **21-01**

(52) **U.S. Cl.**
USPC **D21/561**; D21/495

(58) **Field of Classification Search**
USPC D21/561, 495, 483, 562; D12/169, 177,
D12/160, 317, 180
CPC A63H 17/262; A63H 17/14; A63H 17/266;
A63H 18/08; B60G 2300/20; B60G
2300/07; B60G 2206/124; B60G 7/001;
B60G 2200/144
See application file for complete search history.

(56) **References Cited**

U.S. PATENT DOCUMENTS

D506,714 S *	6/2005	Ono	D12/180
D508,000 S *	8/2005	Schorn	D12/180
D523,794 S *	6/2006	Strumbo	D12/180
D556,103 S *	11/2007	Morimoto	D12/180
D588,513 S *	3/2009	Crippa	D12/180
D700,551 S *	3/2014	Davenport, III	D12/180
D812,534 S *	3/2018	Scheibe	D12/180

D816,002 S *	4/2018	Crippa	D12/180
D851,566 S *	6/2019	Nessi	D12/180
11,085,499 B2 *	8/2021	Suzuki	B60T 17/222
D931,171 S *	9/2021	Nessi	D12/180
D1,042,270 S *	9/2024	Wang	D12/180
D1,092,331 S *	9/2025	Mambretti	D12/180

(Continued)

OTHER PUBLICATIONS

A Guide to Sticking Brake Calipers, posted Jan. 6, 2023 [online],
[retrieved Jan. 20, 2026]. Retrieved from internet, <https://www.chapelhilltire.com/are-my-brake-calipers-sticking-insight-from-a-mechanic> (Year: 2023).*

(Continued)

Primary Examiner — Erich G Herbermann

Assistant Examiner — Alisha K Miles

(74) *Attorney, Agent, or Firm* — Daryl R. Wright; Greg Carr

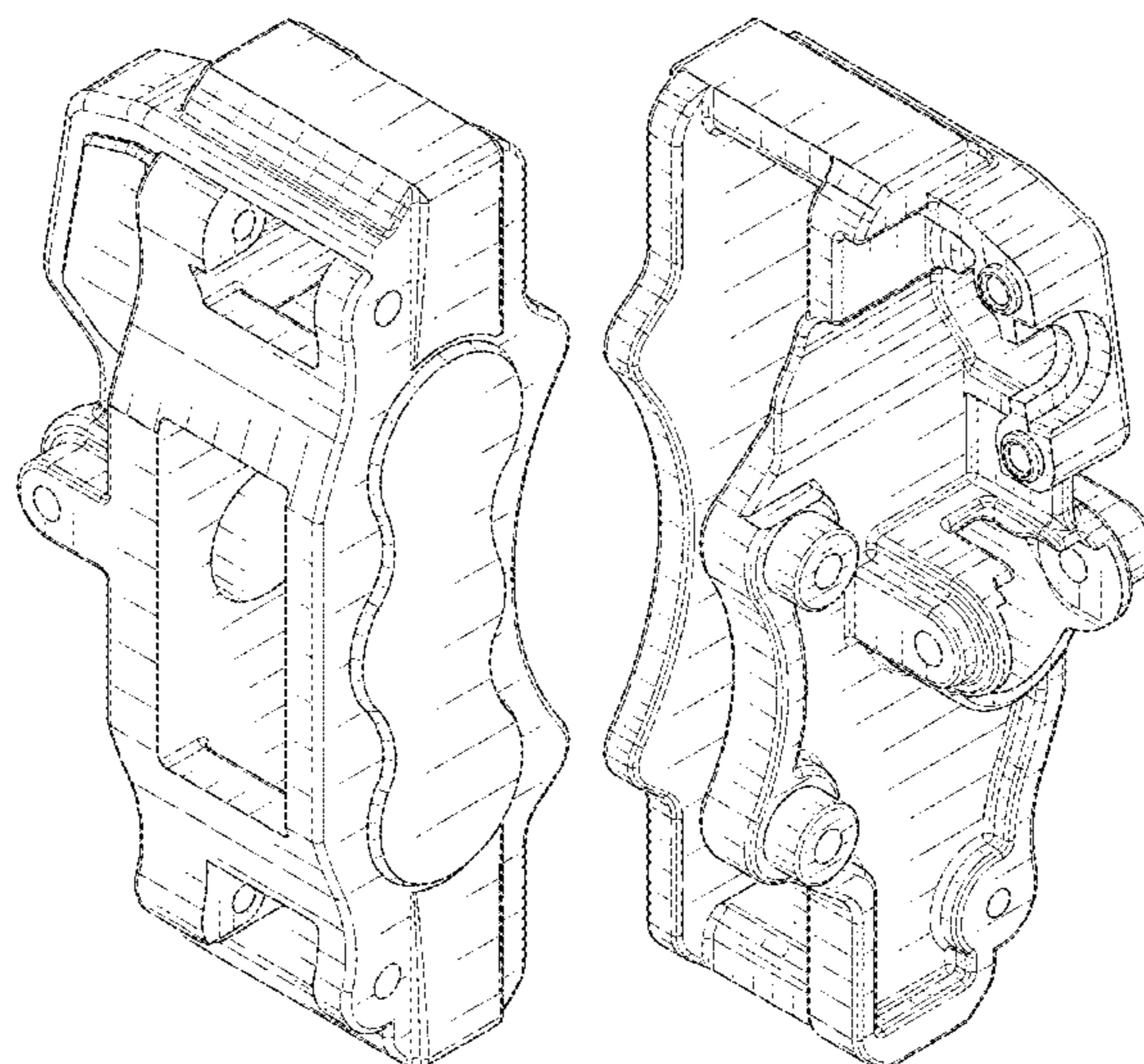
(57) **CLAIM**

The ornamental design for a model vehicle brake caliper as shown and described.

DESCRIPTION

FIG. 1 is an upper, left, front perspective view of a model vehicle brake caliper showing our new design; FIG. 2 is an upper, right, rear perspective view thereof; FIG. 3 is a lower, right, front perspective view thereof; FIG. 4 is a lower, left, rear perspective view thereof; FIG. 5 is a front elevation view thereof; FIG. 6 is a rear elevation view thereof; FIG. 7 is an upper plan view thereof; FIG. 8 is a lower plan view thereof; FIG. 9 is a right-side elevation view thereof; and, FIG. 10 is a left-side elevation view thereof. Only the left-side model vehicle brake caliper is shown. The right-side model vehicle brake caliper is a mirror image of the shown model vehicle brake caliper.

1 Claim, 7 Drawing Sheets



(56)

References Cited

U.S. PATENT DOCUMENTS

2006/0228986 A1* 10/2006 Byers A63H 31/00
180/383
2007/0114101 A1* 5/2007 Elderfield F16D 55/2245
188/72.6

OTHER PUBLICATIONS

Aluminum Front or Rear Brake Caliper, posted Aug. 28, 2018 [online], [retrieved Jan. 16, 2026]. Retrieved from internet, <https://www.amazon.com/Super-Desert-Upgrade-Aluminum-Caliper/dp/B07GWVJQS3> (Year: 2018).*

Wilwood 120-11873-BK D154 Caliper, posted Dec. 6, 2023 [online], [retrieved Jan. 16, 2026]. Retrieved from internet, <https://www.amazon.com/Wilwood-120-11873-BK-D154-Caliper-Black-Pistons/dp/B0CPN5BXQ5> (Year: 2023).*

Rcmart2001, posted Jun. 12, 2024 [online], [retrieved Jan. 16, 2026]. Retrieved from internet, <https://www.instagram.com/p/C8HWfsOqJH6/> (Year: 2024).*

Making the Front Disc Brake System, posted Apr. 12, 2020 [online], [retrieved Jan. 20, 2026]. Retrieved from internet, <https://www.youtube.com/watch?v=ERdSARw2FdA> (Year: 2020).*

* cited by examiner

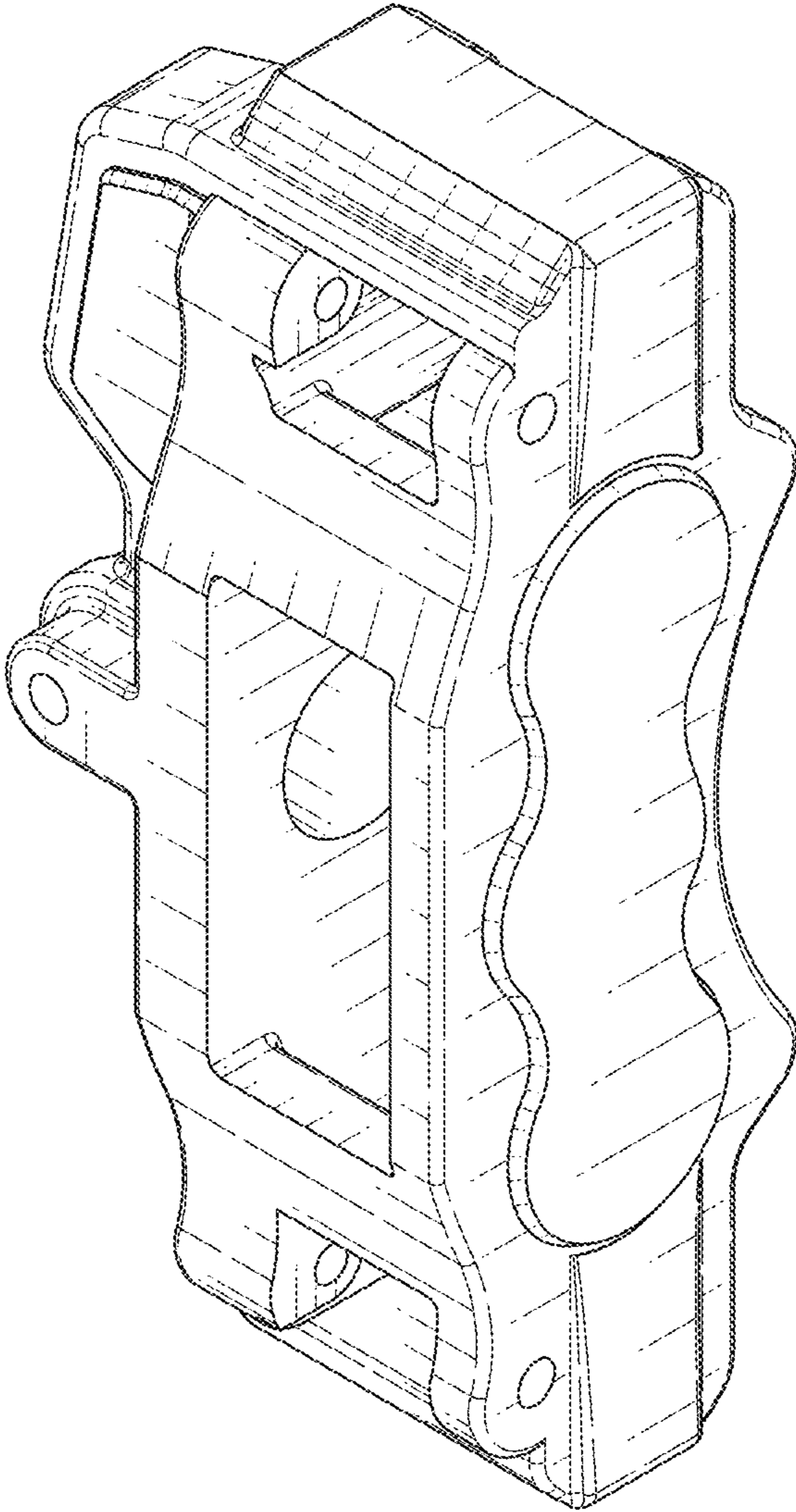


FIG. 1

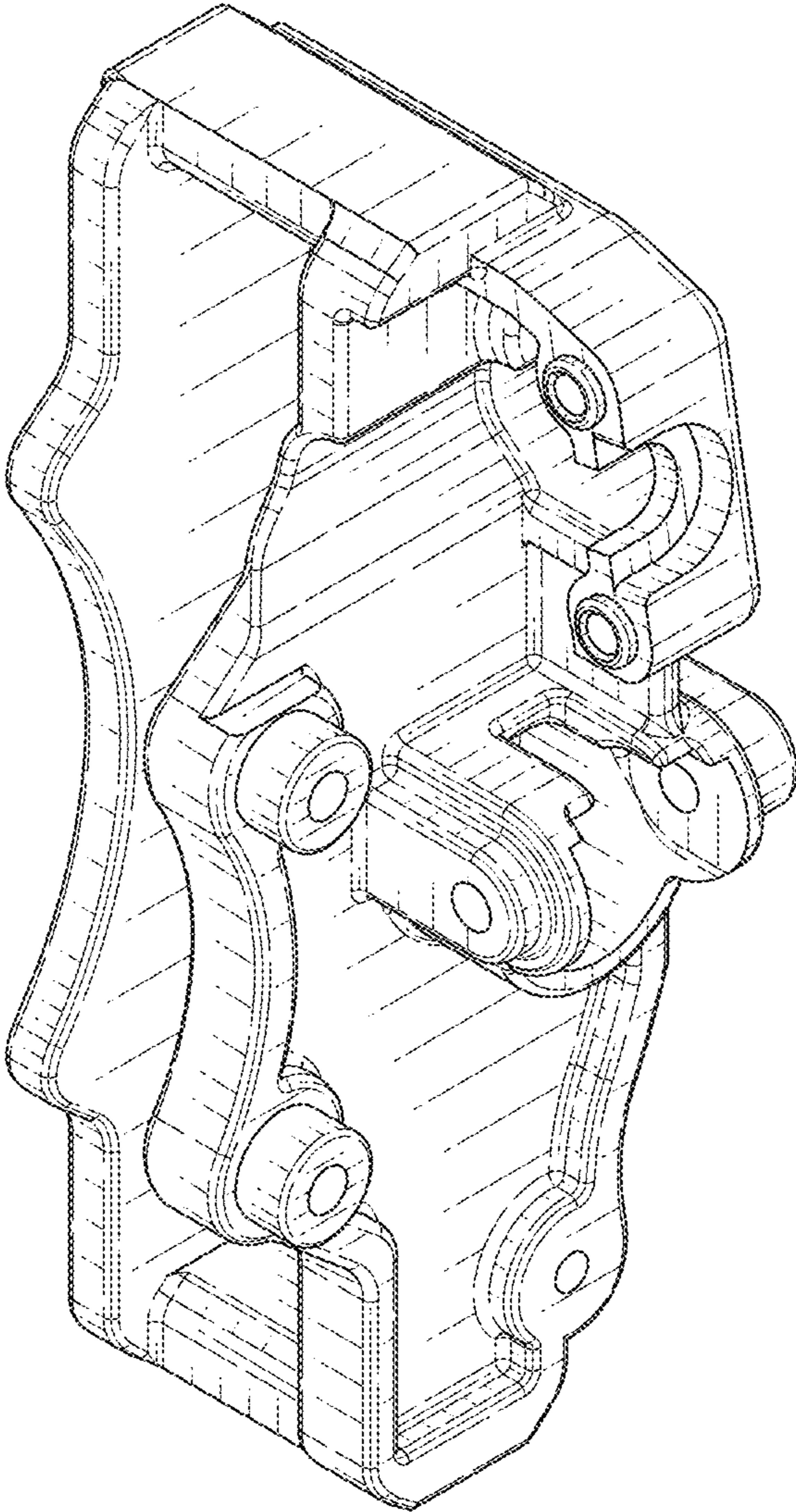


FIG. 2

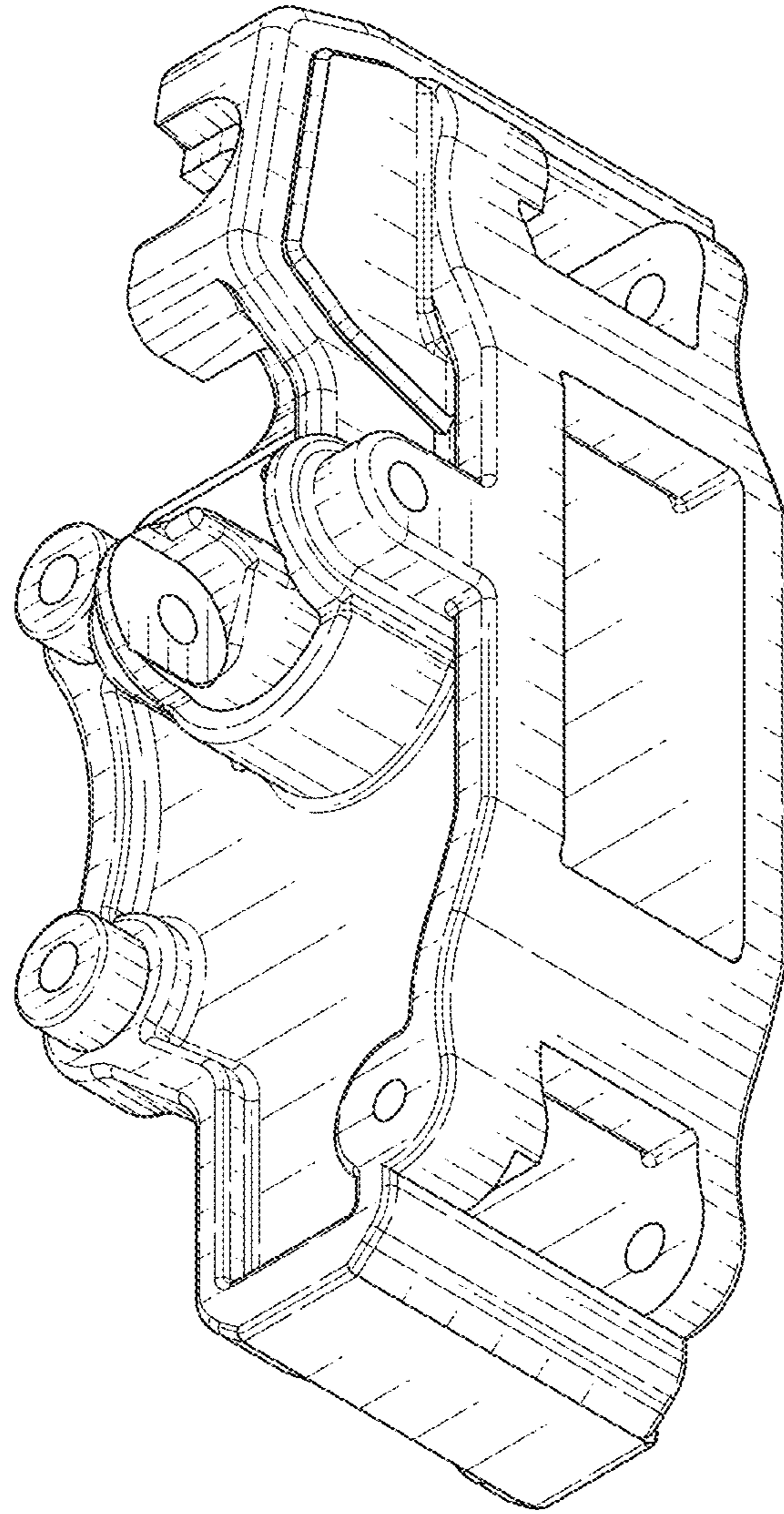


FIG. 3

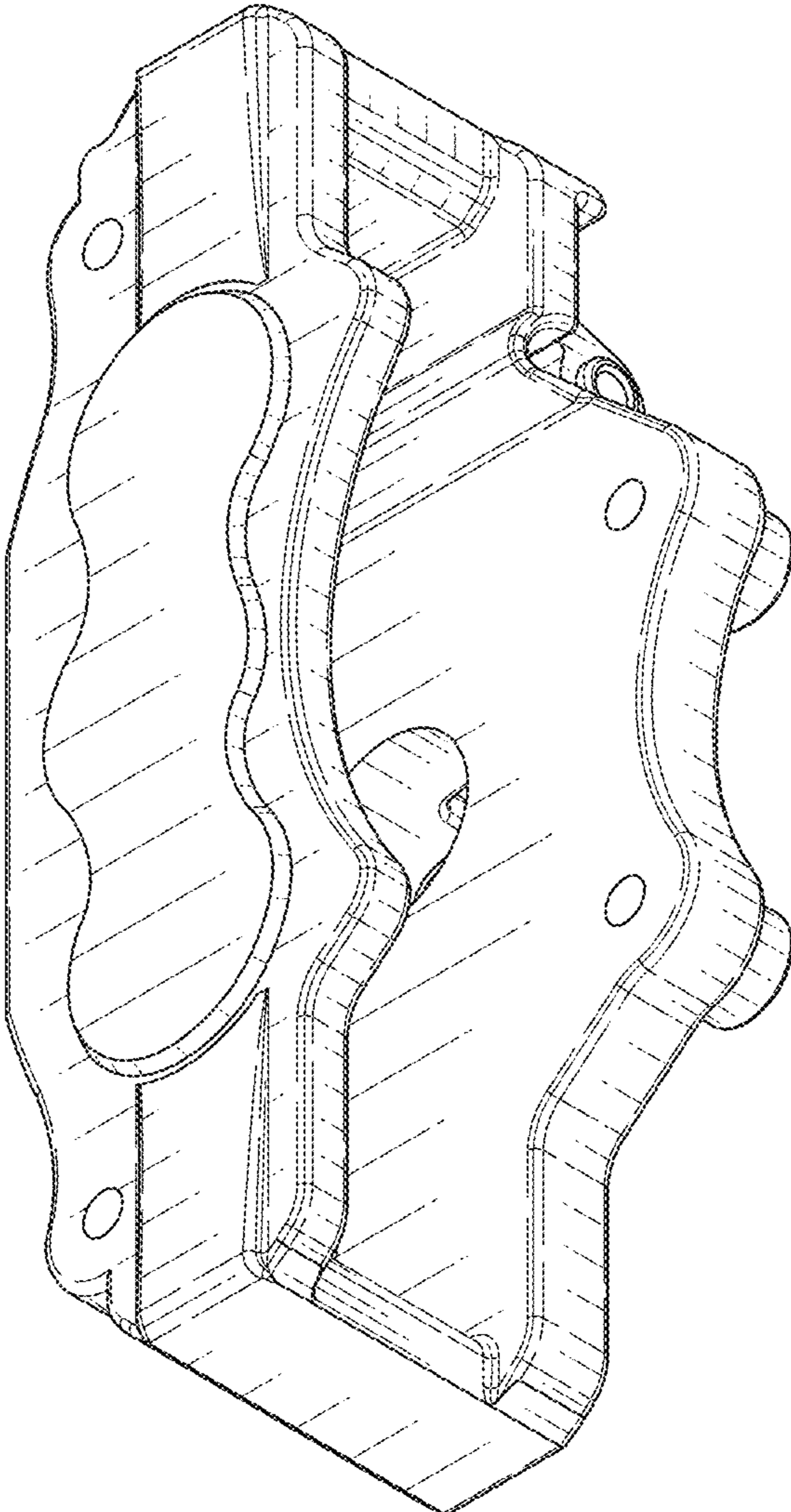


FIG. 4

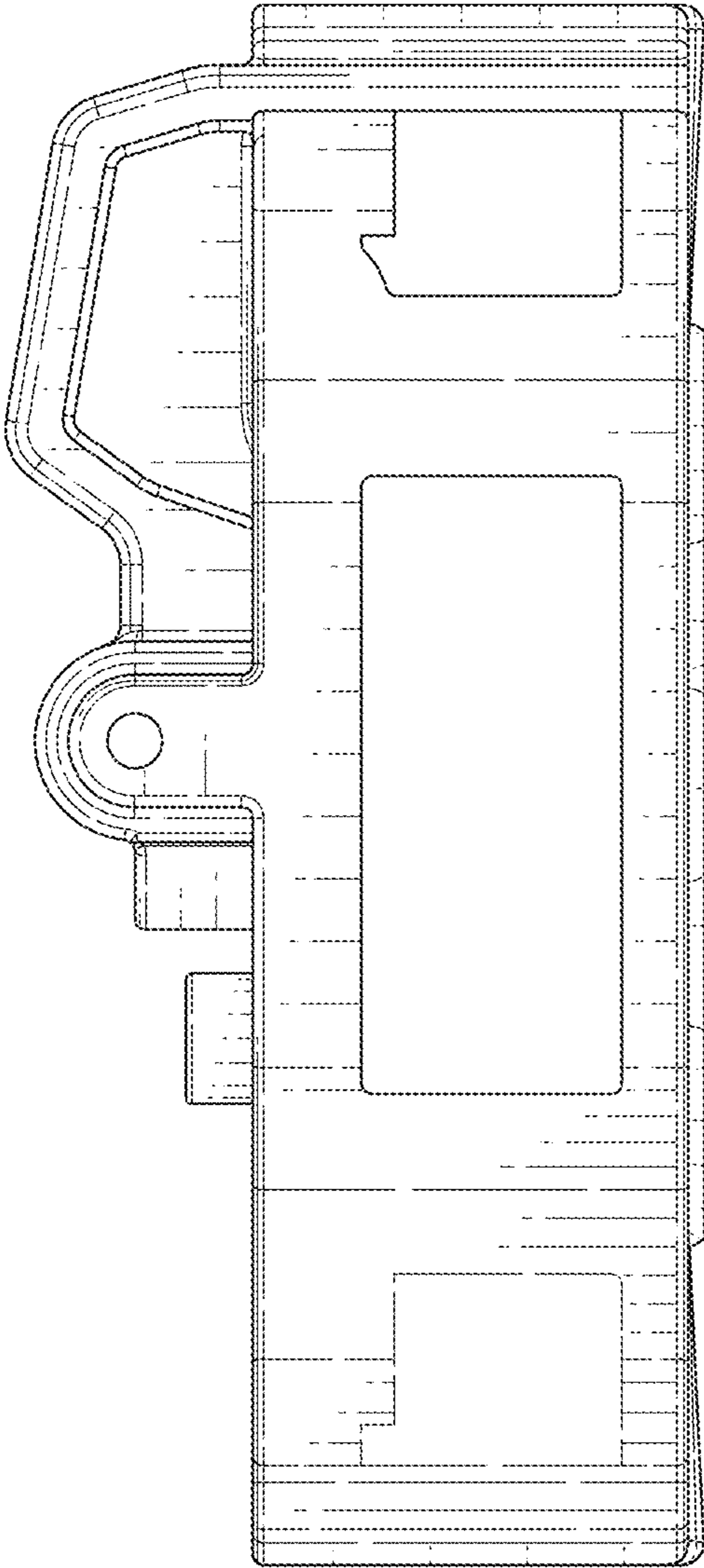


FIG. 5

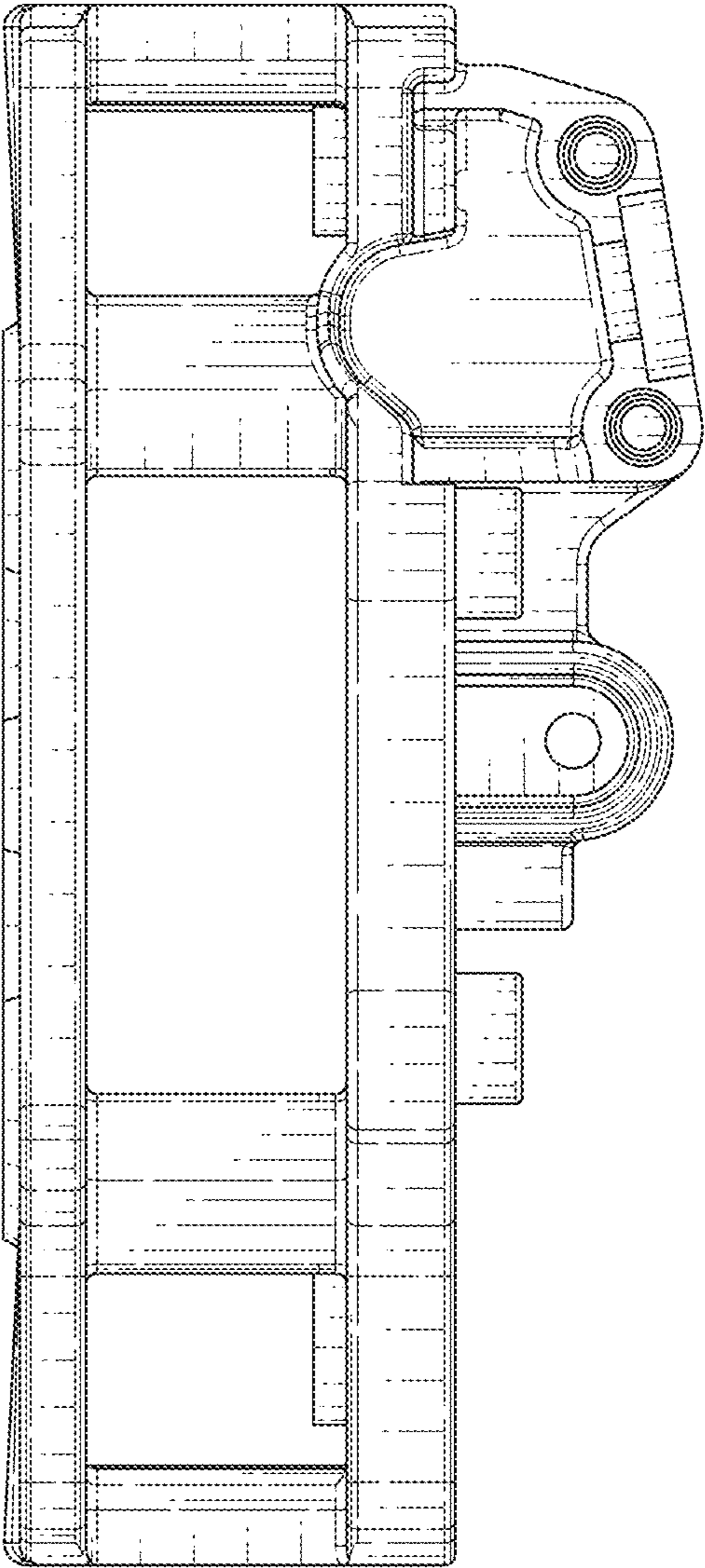


FIG. 6

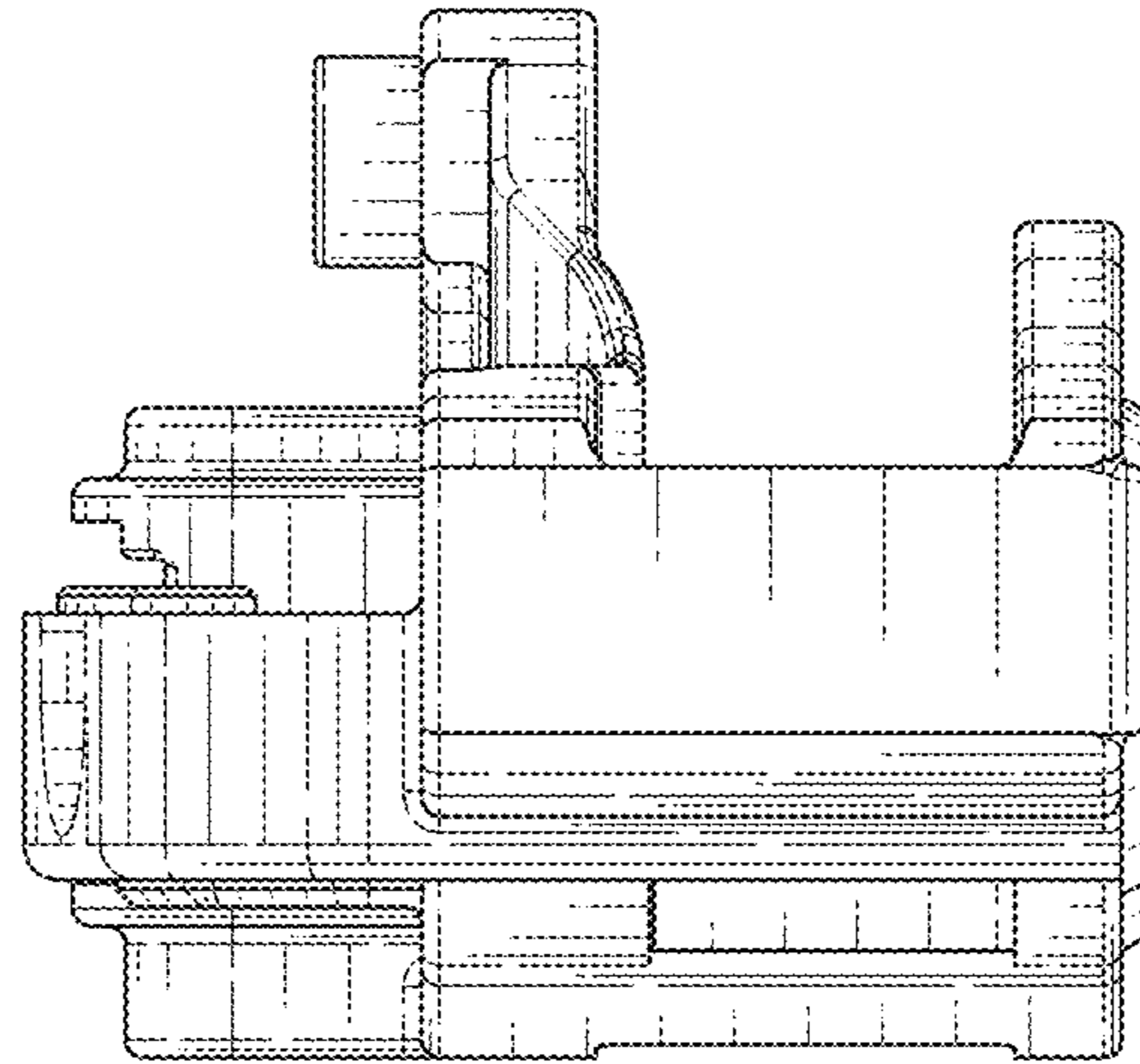


FIG. 7

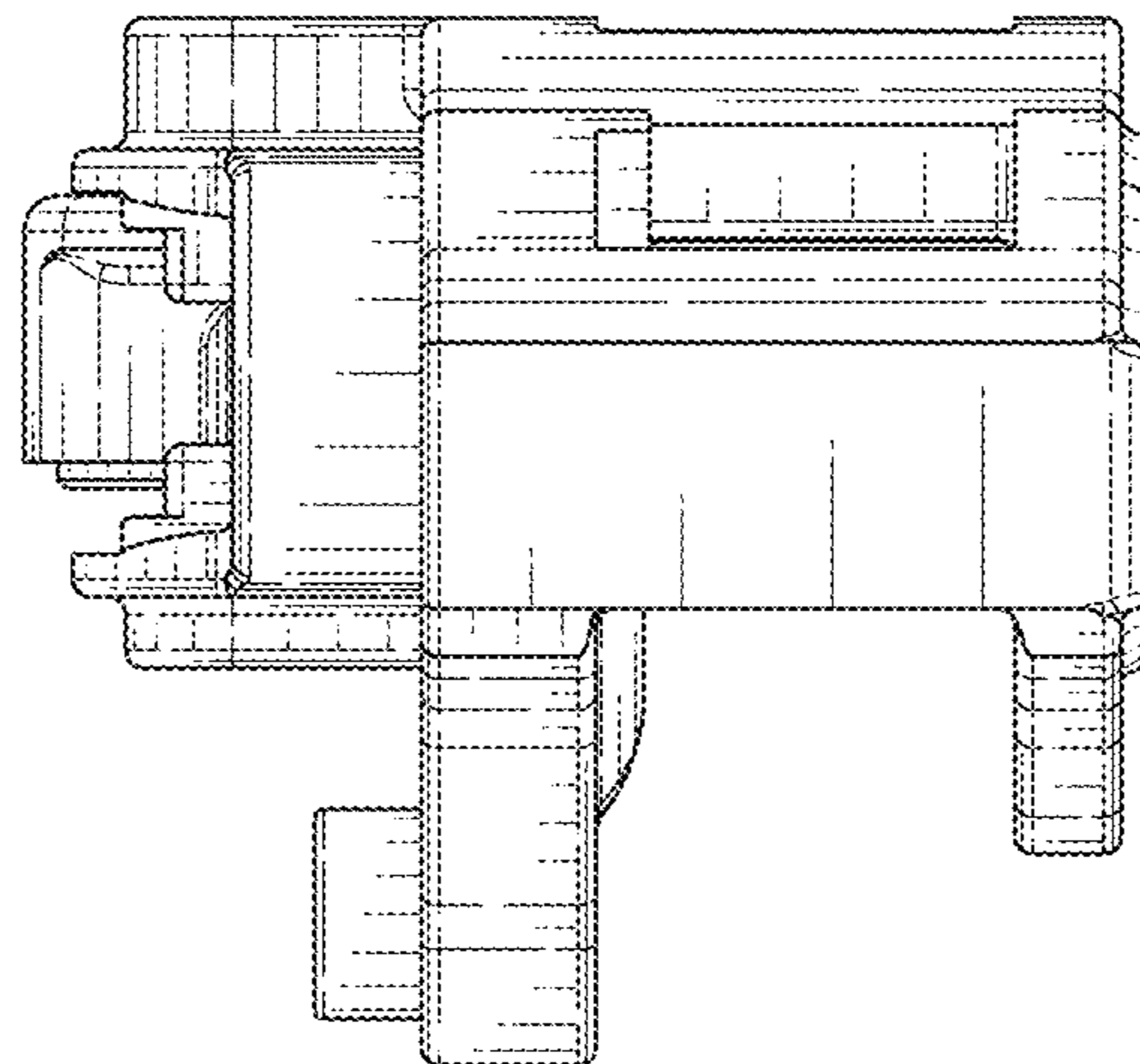


FIG. 8

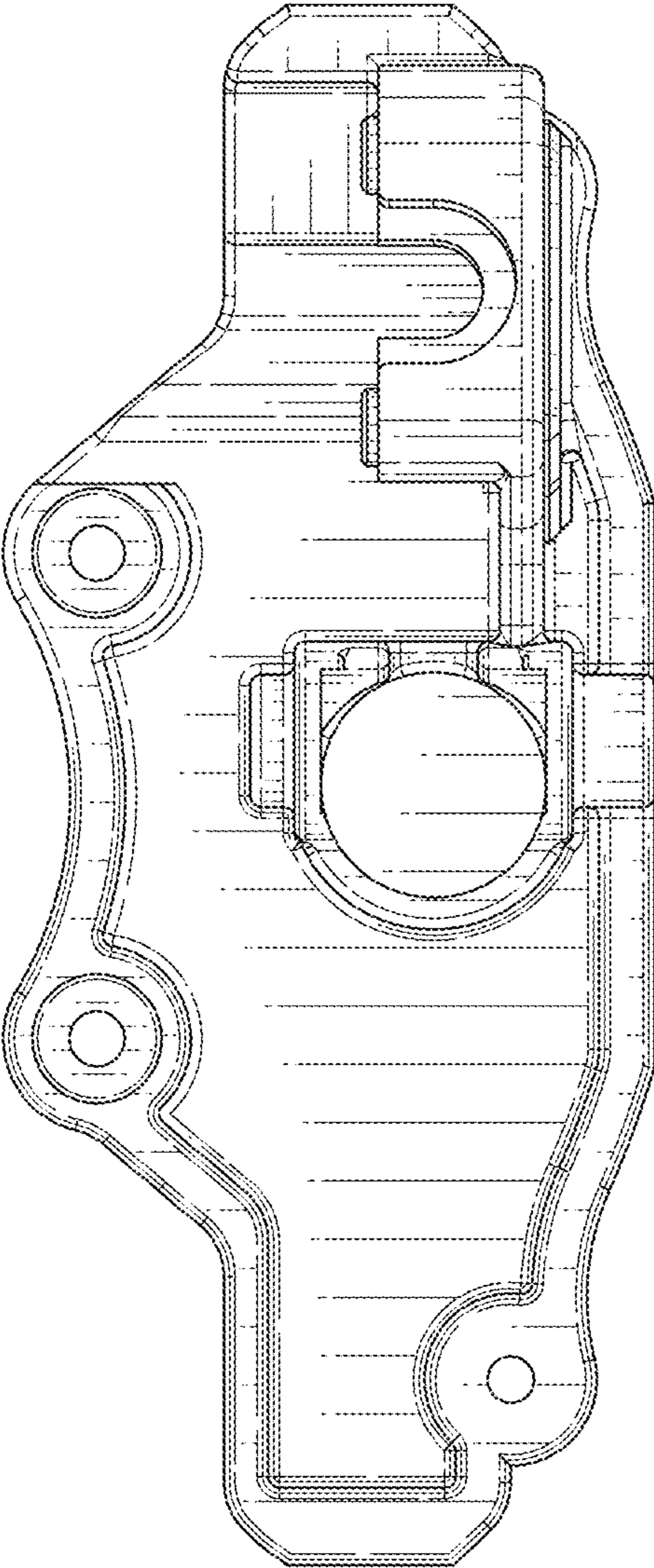


FIG. 9

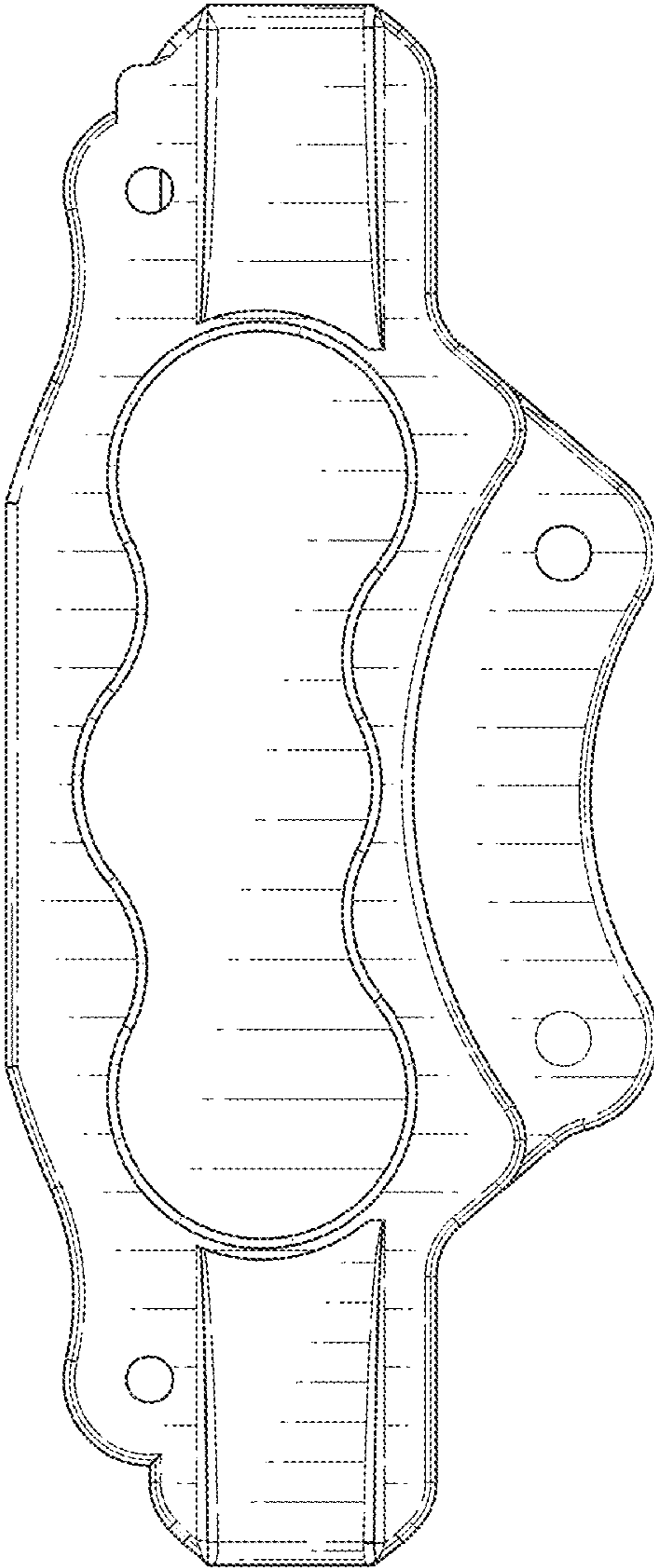


FIG. 10