



US0D1121742S

(12) **United States Design Patent** (10) **Patent No.:** **US D1,121,742 S**
Christensen et al. (45) **Date of Patent:** **** Apr. 7, 2026**

(54) **MODEL VEHICLE CASTER BLOCK**

FOREIGN PATENT DOCUMENTS

(71) Applicant: **TRAXXAS, L.P.**, McKinney, TX (US)

EM 007721154-0004 3/2020
EM 009162605-0003 9/2022

(72) Inventors: **Casey Christen Jens Christensen**,
Trenton, TX (US); **Jory Sprowl**, Howe,
TX (US); **Skylar Hagler**, Anna, TX
(US); **Randy Perez**, McKinney, TX
(US); **Otto Karl Allmendinger**,
Rowlett, TX (US); **Adam Cole Ewing**,
McKinney, TX (US); **Kent Poteet**,
Lucas, TX (US)

(Continued)

OTHER PUBLICATIONS

ST Racing Concepts Arrma Aluminum Front Caster Block, posted
Jul. 27, 16 [online], [retrieved Jan. 20, 26]. Retrieved from internet,
<https://www.amainhobbies.com/st-racing-concepts-arrma-aluminum-heavy-duty-front-caster-block-2-red-spt340001r/p523458> (Year: 2016).*

(Continued)

(73) Assignee: **TRAXXAS, L.P.**, McKinney, TX (US)

Primary Examiner — Erich G Herbermann
Assistant Examiner — Alisha K Miles

(**) Term: **15 Years**

(74) *Attorney, Agent, or Firm* — Daryl R. Wright; Greg Carr

(21) Appl. No.: **29/988,032**

(57) **CLAIM**

(22) Filed: **Jan. 29, 2025**

The ornamental design for a model vehicle caster block as shown and described.

(51) **LOC (15) Cl.** **21-01**

DESCRIPTION

(52) **U.S. Cl.**
USPC **D21/561**; D21/495

(58) **Field of Classification Search**

USPC D21/561, 495, 483, 562, 533; D12/169,
D12/177, 160, 317, 180, 159
CPC A63H 17/262; A63H 17/14; A63H 17/266;
A63H 18/08; B60G 2300/20; B60G
2300/07; B60G 2206/124; B60G 7/001;
B60G 2200/144

FIG. 1 is an upper, left, front perspective view of a model
vehicle caster block showing our new design;
FIG. 2 is an upper, right, rear perspective view thereof;
FIG. 3 is a lower, right, front perspective view thereof;
FIG. 4 is a lower, left, rear perspective view thereof;
FIG. 5 is a front elevation view thereof;
FIG. 6 is a rear elevation view thereof;
FIG. 7 is an upper plan view thereof;
FIG. 8 is a lower plan view thereof;
FIG. 9 is a right-side elevation view thereof; and,
FIG. 10 is a left-side elevation view thereof.

See application file for complete search history.

In the drawings, the broken lines illustrate portions of the
model vehicle caster block that form no part of the claimed
design.

Only the left-side model vehicle caster block is shown. The
right-side model vehicle caster block is a mirror image of the
shown model vehicle caster block.

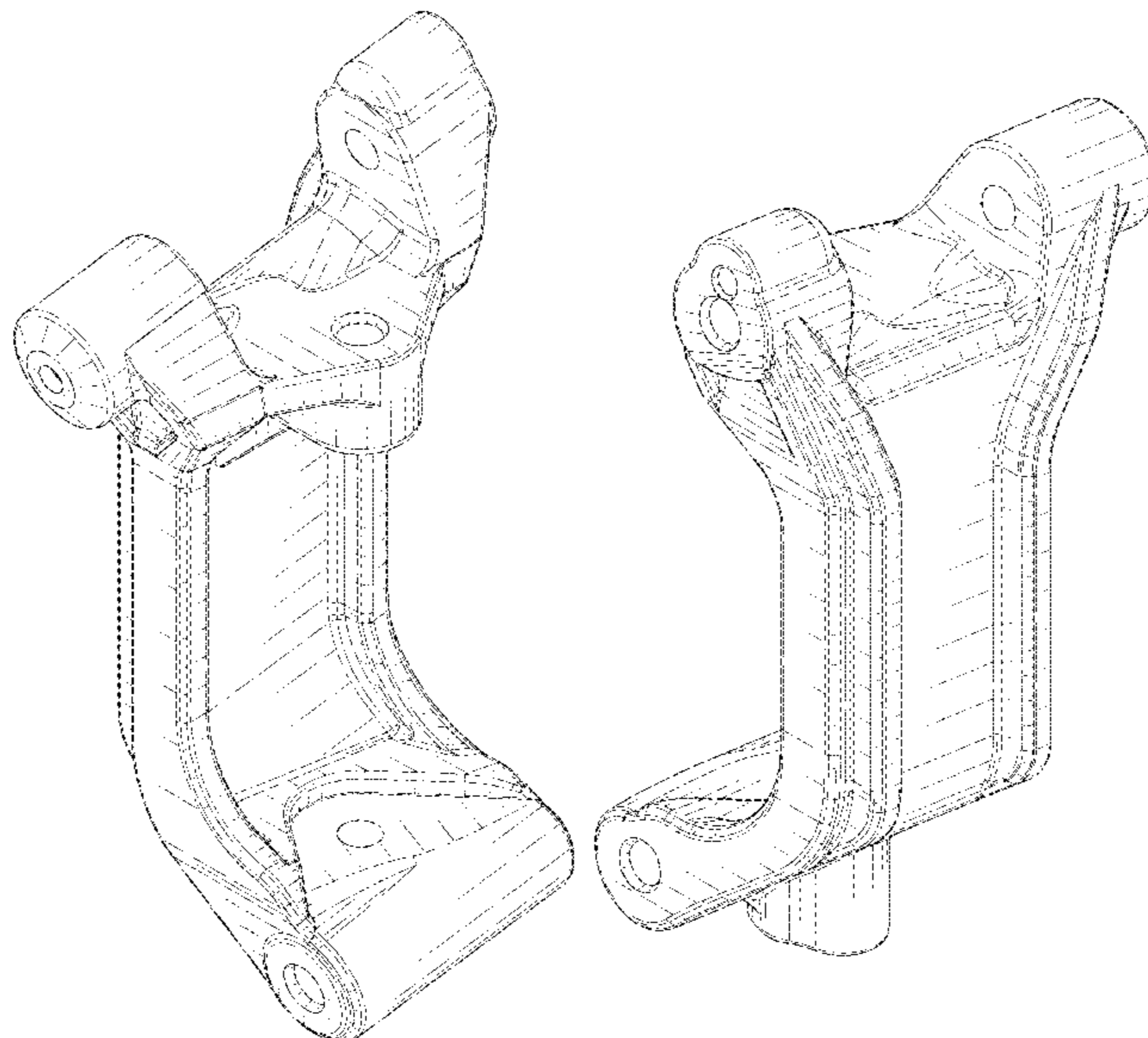
(56) **References Cited**

U.S. PATENT DOCUMENTS

4,690,656 A 9/1987 Friedman et al.
6,416,136 B1 7/2002 Smith
D605,985 S 12/2009 Pennala
7,810,604 B2 10/2010 Byers et al.

(Continued)

1 Claim, 8 Drawing Sheets



(56)

References Cited

U.S. PATENT DOCUMENTS

D661,713	S	6/2012	Marchesan	
8,574,022	B2	11/2013	Grisolia et al.	
9,238,391	B1 *	1/2016	Luttinen	B60G 7/006
D822,125	S	7/2018	Ewing et al.	
D843,273	S	3/2019	Audley-Coote	
D880,279	S	4/2020	Marchesan	
D891,998	S	8/2020	Smith	
D902,091	S	11/2020	Ewing et al.	
D913,166	S	3/2021	Kiska	
D923,115	S *	6/2021	Ewing	D21/562
D947,958	S *	4/2022	Christensen	D12/159
D1,014,658	S *	2/2024	Christensen	D12/159
D1,053,277	S *	12/2024	Poteet	D21/562
D1,053,278	S	12/2024	Poteet et al.	
D1,060,180	S	2/2025	Collins et al.	
D1,060,527	S *	2/2025	Ewing	D21/562
D1,074,858	S *	5/2025	Wood	D21/562
2002/0077025	A1	6/2002	Wu	
2006/0261613	A1 *	11/2006	Byers	B60G 15/067 293/135
2007/0256659	A1	11/2007	Anderson et al.	
2011/0079978	A1	4/2011	Schreiner et al.	
2019/0283561	A1 *	9/2019	Battaglia	B62D 7/18
2023/0234438	A1 *	7/2023	Lee	B60G 3/20 180/6.48
2025/0262898	A1 *	8/2025	Jeon	B60G 3/26

FOREIGN PATENT DOCUMENTS

EM	015066882-0003	7/2024
GB	90077211540004	3/2020
GB	6379193	7/2024
GB	6379200	7/2024
GB	6429716	3/2025

OTHER PUBLICATIONS

Traxxas Heavy Duty Caster Blocks, posted May 10, 2022 [online], [retrieved Jan. 20, 2026]. Retrieved from internet, <https://www.amainhobbies.com/traxxas-hoss-rustler-slash-4x4-extreme-heavy-duty-caster-blocks-black-2-tra9032/p1415050> (Year: 2022).*

Traxxas Sledge Aluminum Caster Blocks, posted Sep. 2, 2022 [online], [retrieved Jan. 20, 2026]. Retrieved from internet, <https://www.amainhobbies.com/traxxas-sledge-aluminum-caster-blocks-left-right-blue-2-tra9532x/p1423838> (Year: 2022).*

Reid Racing Azle Products; Aug. 2016.

Traxxas; "T-Maxx Assemblies-Front Assembly;" Traxxas LP, Plano, Texas.

Traxxas C-Hubs, Published date unavailable [online], [retrieved on Feb. 5, 2022]. Retrieved from the Internet: <https://www.rcsuperstore.com/traxxas-caster-blocks-c-hubs-left-right-slash-4x4/> (Year: 2022).

Traxxas Sledge Caster Blocks L/R w/ Kingpin Bushings, as shown in www.hobbytown.com, Jul. 5, 2022, Part # TRA9532. (Year: 2022).

Traxxas XRT Caster Blocks (2), as shown in www.hobbytown.com, May 16, 2023, Part # TRA7832. (Year: 2023).

Hot Racing Aluminum C-Hub Caster Blocks for Traxxas Maxx (Black) (2), as shown in www.hobbytown.com, May 4, 2021, Part # HRAMXX1901. (Year: 2021).

GLOBACT Brass LCG Heavy Weight Caster Blocks Portal Drive C-Hubs 84g Counterweight for 1/10 TRX4 TRX6 Rc Crawler Car Upgrades Parts (2PCS), as shown in www.amazon.com, Aug. 9, 2023, ASIN B0C9SWT276. (Year: 2023).

Rcarmumb RC Upgrades Part for 1/10 Maxx WideMaxx, Aluminum Caster Blocks, Amazon Website, Earliest Comment Date: Jan. 30, 2023 [Website Visited Oct. 1, 2024], Available on the Internet URL: <https://www.amazon.com/dp/B0BBN892JJ/> (Year: 2023).

Traxxas X-Maxx Caster Blocks, Amazon Website, Earliest Comment Date: Sep. 9, 2016 [Website Visited Oct. 2, 2024], Available on the Internet URL: <https://www.amazon.com/Traxxas-7732-X-Maxx-Caster-Blocks/dp/B01A6YD1XC> (Year: 2016).

2pcs Alloy Front C Hub Carrier Caster Blocks 7732 for RC Hobby Car 1/5 1/6 X-MAXX (Red), Amazon Website, Earliest Comment Date: Oct. 21, 2021 [Website Visited Oct. 2, 2024], Available on the Internet URL: <https://www.amazon.com/dp/B092M9XJYW/> (Year: 2021).

Aluminum Caster Blocks, Traxxas Website, No Available Date [Website Visited Oct. 2, 2024], Available on the Internet URL: <https://traxxas.com/products/parts/7832-RED> (Year: 2024).

Traxxas TRX-4M Front Steering Blocks & Caster Blocks, Part#: TRA9732, as shown in www.amainhobbies.com, May 22, 2023. (Year: 2023).

Steering blocks, left & right/ caster blocks (c-hubs), left or right (2), Traxxas website, posted date unknown [online], [retrieved Nov. 25, 2024]. Retrieved from internet, <https://traxxas.com/products/parts/9732> (Year: 2024).

OGRC 5g Brass Caster Blocks C-Hubs for Traxxas TRX4M 1/18 Bronco/Defender, Amazon website, posted date unknown [online], [retrieved Nov. 25, 2024]. Retrieved from internet, <https://www.amazon.com/Caster-Blocks-Traxxas-Defender-Upgrade/dp/B0BWQ8WRCJ/> (Year: 2024).

Injora Black Brass Caster Blocks C-Hubs 4g Front Counterweight for 1/18 RC Crawler, posted date unknown [online], [retrieved Nov. 25, 2024]. Retrieved from internet, <https://www.amazon.com/dp/B0BQDD4HGZ> (Year: 2024).

Traxxas Sledge Aluminum Caster Blocks Left & Right (Dark Titanium) (2), Part# TRA9532A, as shown in www.hobbytown.com, Aug. 9, 2022. (Year: 2022).

Aluminum 7075-T6 Alloy Front C Hub for Traxxas 1:8 JATO 4x4 VXL Brushless Buggy Upgrades—Green, Amazon Website, No Available Date [Website Visited Aug. 4, 2025] Available on the Internet, URL <https://www.amazon.com/dp/B0F9PMWFWC> (Year: 2025).

Meus Racing Aluminum Steering Knuckles C-Hub Stub Axle Carrier ONLY for Traxxas, Amazon Website, Earliest Comment Date: Jul. 23, 2025 [Website Visited Aug. 4, 2025] Available on the Internet, URL <https://www.amazon.com/dp/B0F9FDS995/> (Year: 2025).

Black Caster Blocks (L&R), Traxxas Website, No Available Date [Website Visited Aug. 4, 2025] Available on the Internet, URL <https://traxxas.com/10732-blk-black-caster-blocks-lr> (Year: 2025).

Traxxas Maxx Aluminum Caster Blocks (Orange) Part# TRA8932A, Amain Hobbies Website, as shown in www.amainhobbies.com, Mar. 17, 2020 (Year: 2020).

Traxxas 8932R Caster Blocks 6061-T6 Alum (Red-Anodized), Left & Right, ASIN: B081LP7RQ8, as shown in www.amazon.com, earliest customer review, Feb. 25, 2021 (Year: 2021).

* cited by examiner

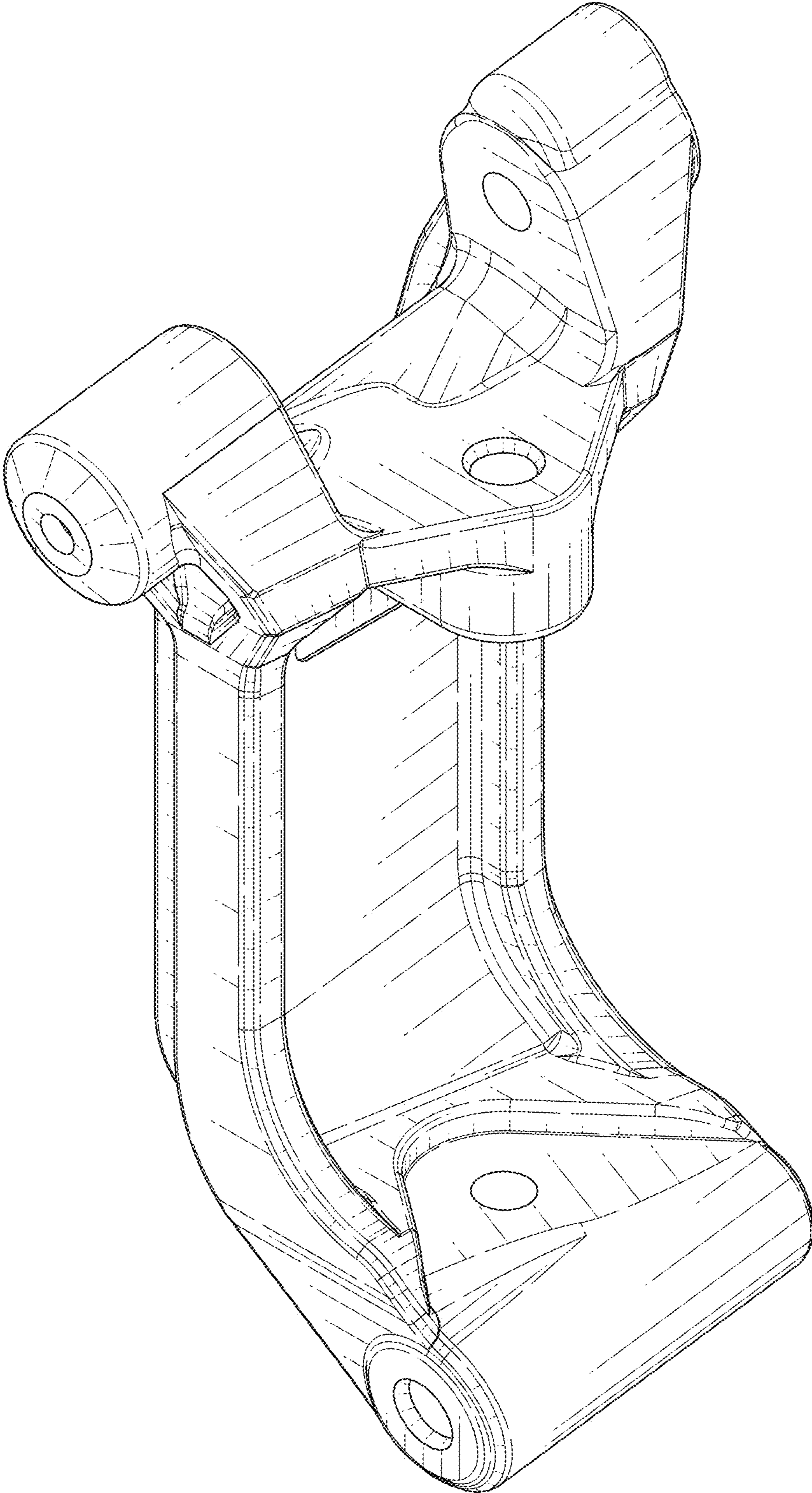


FIG. 1

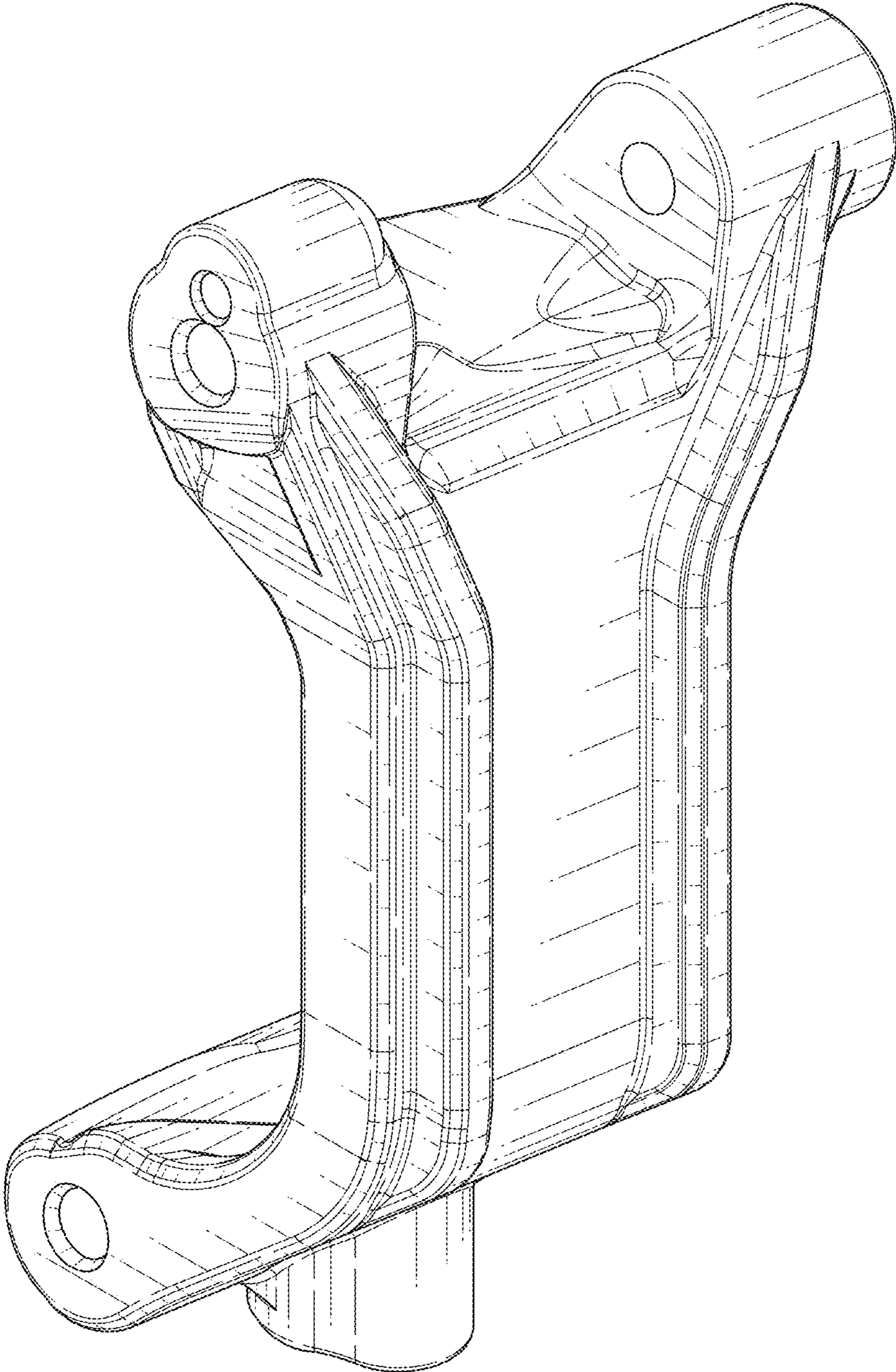


FIG. 2

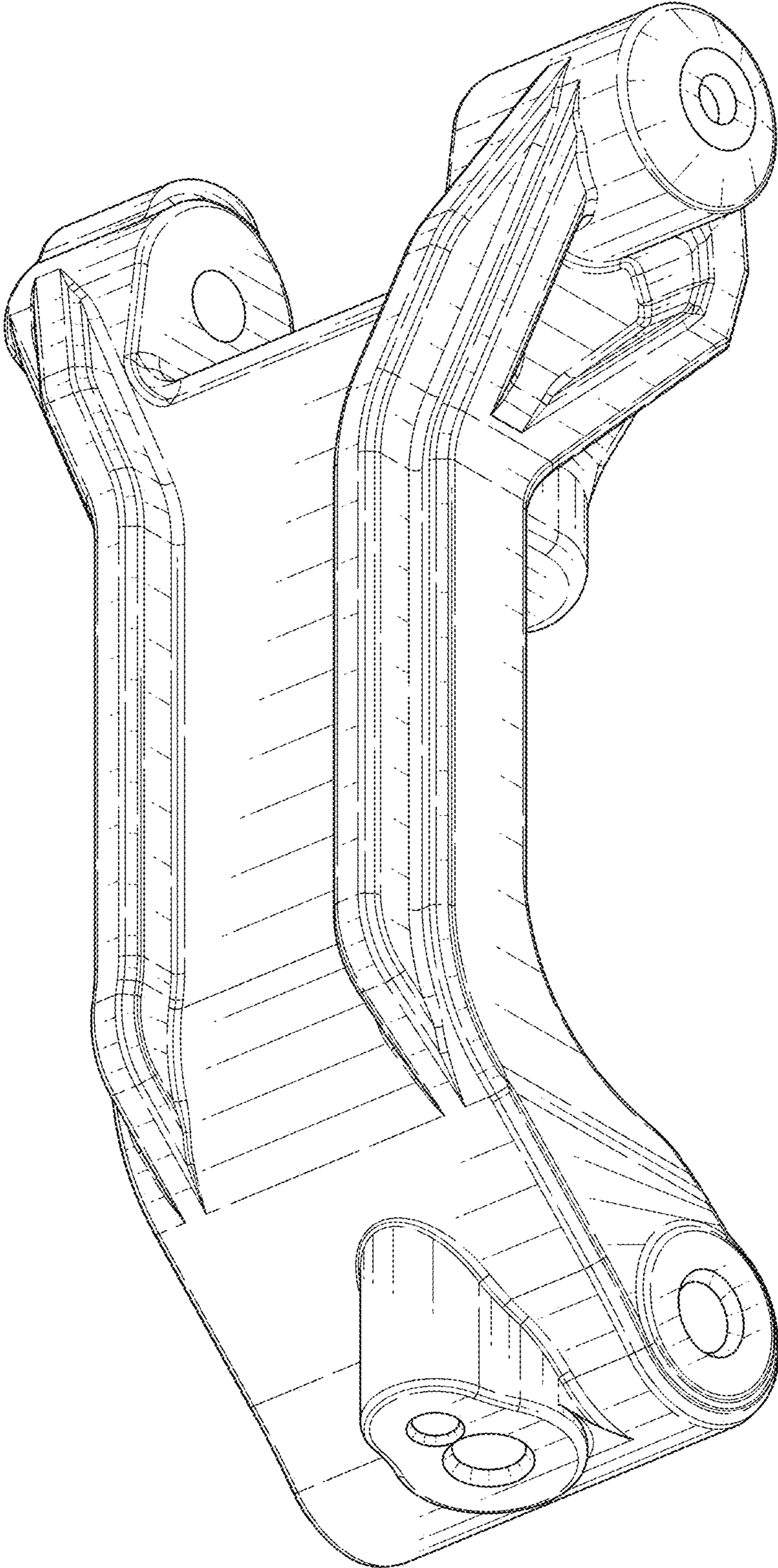


FIG. 3

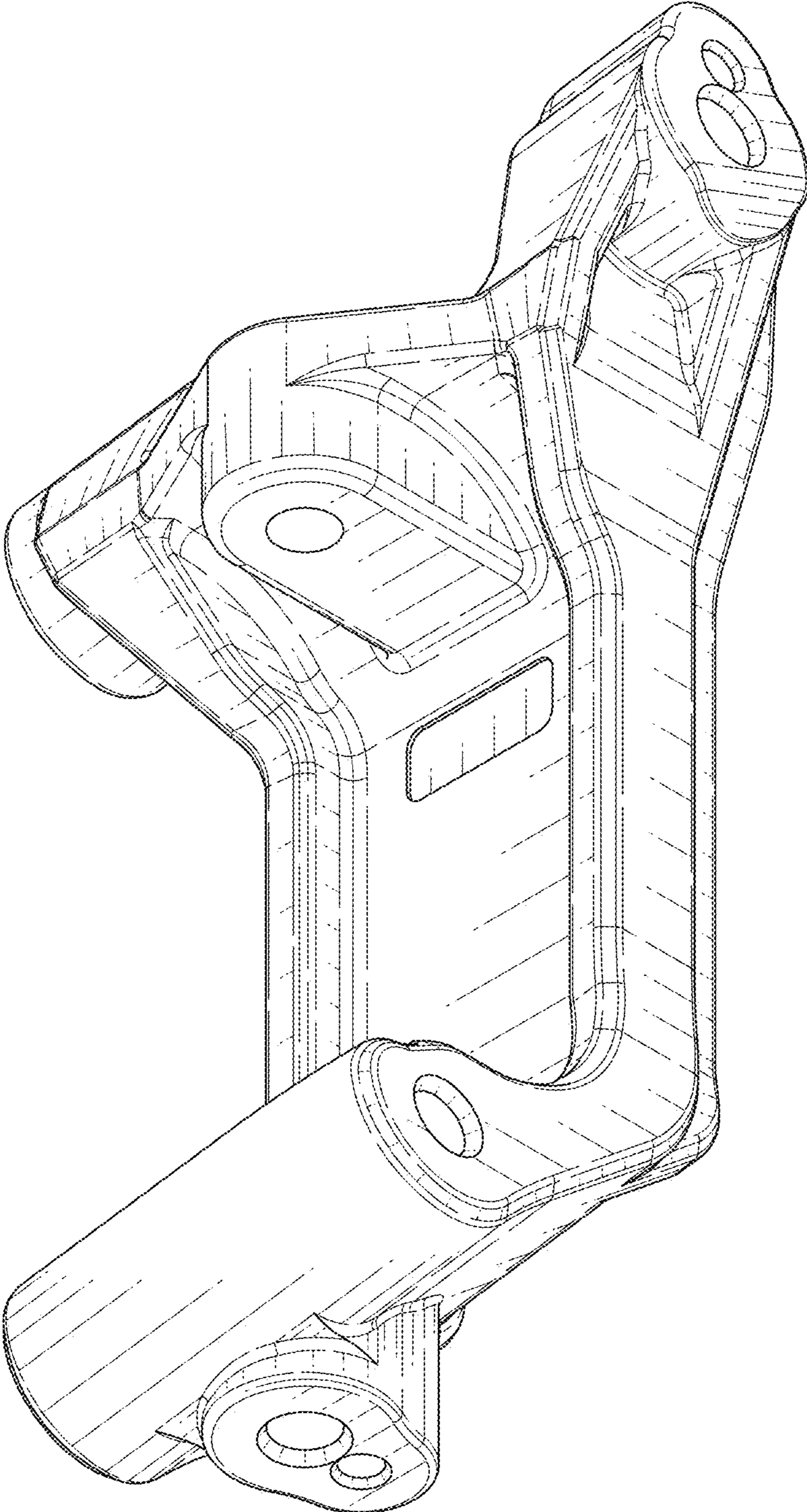


FIG. 4

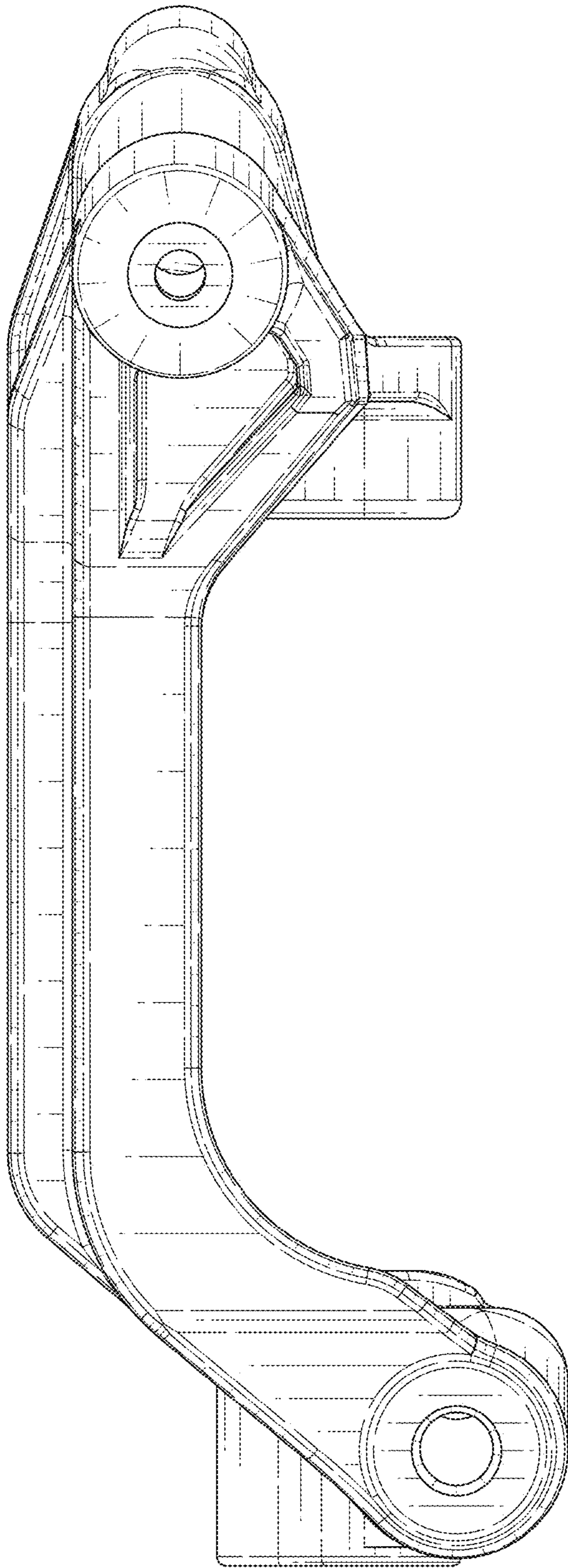


FIG. 5

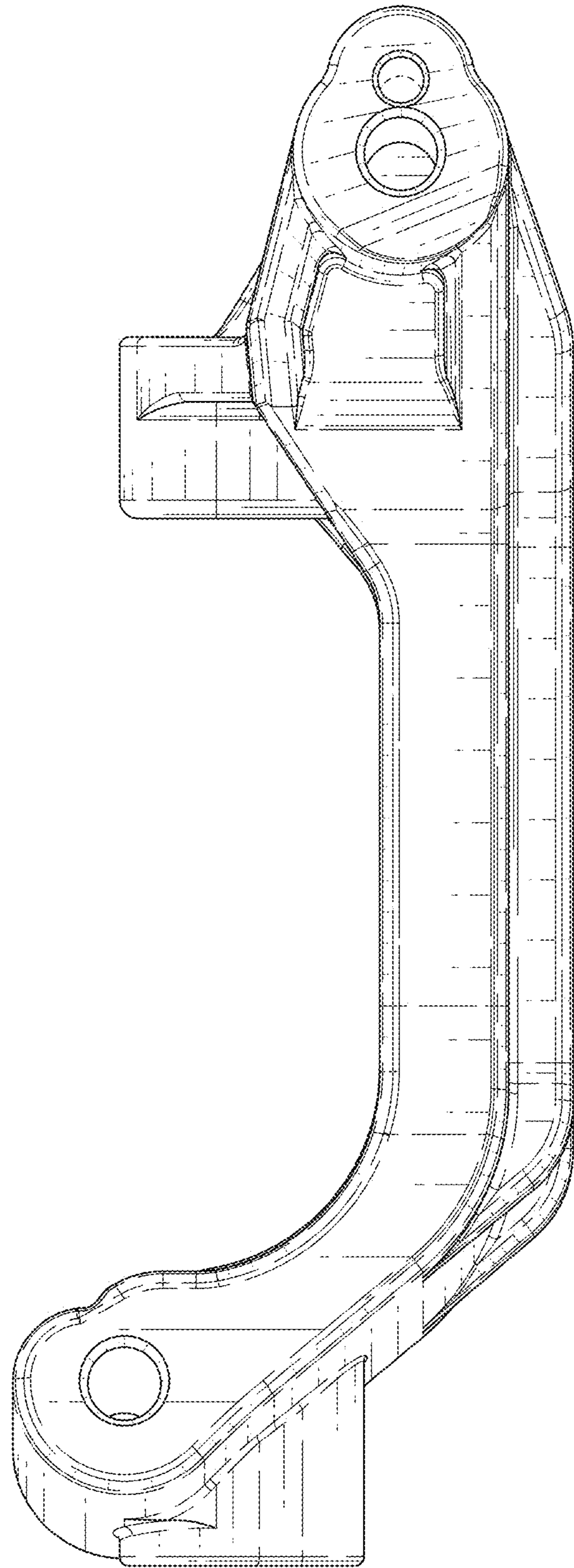


FIG. 6

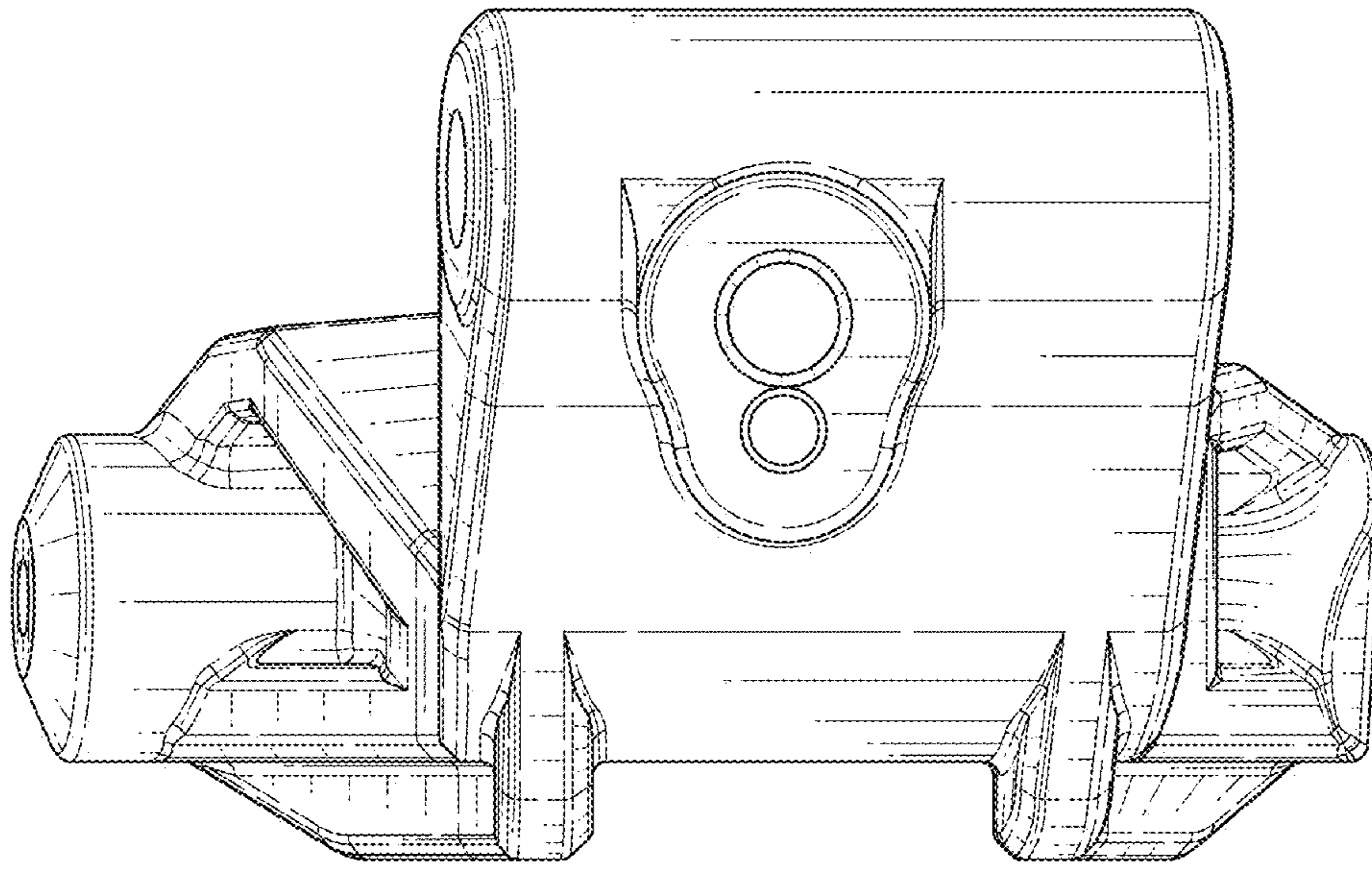


FIG. 8

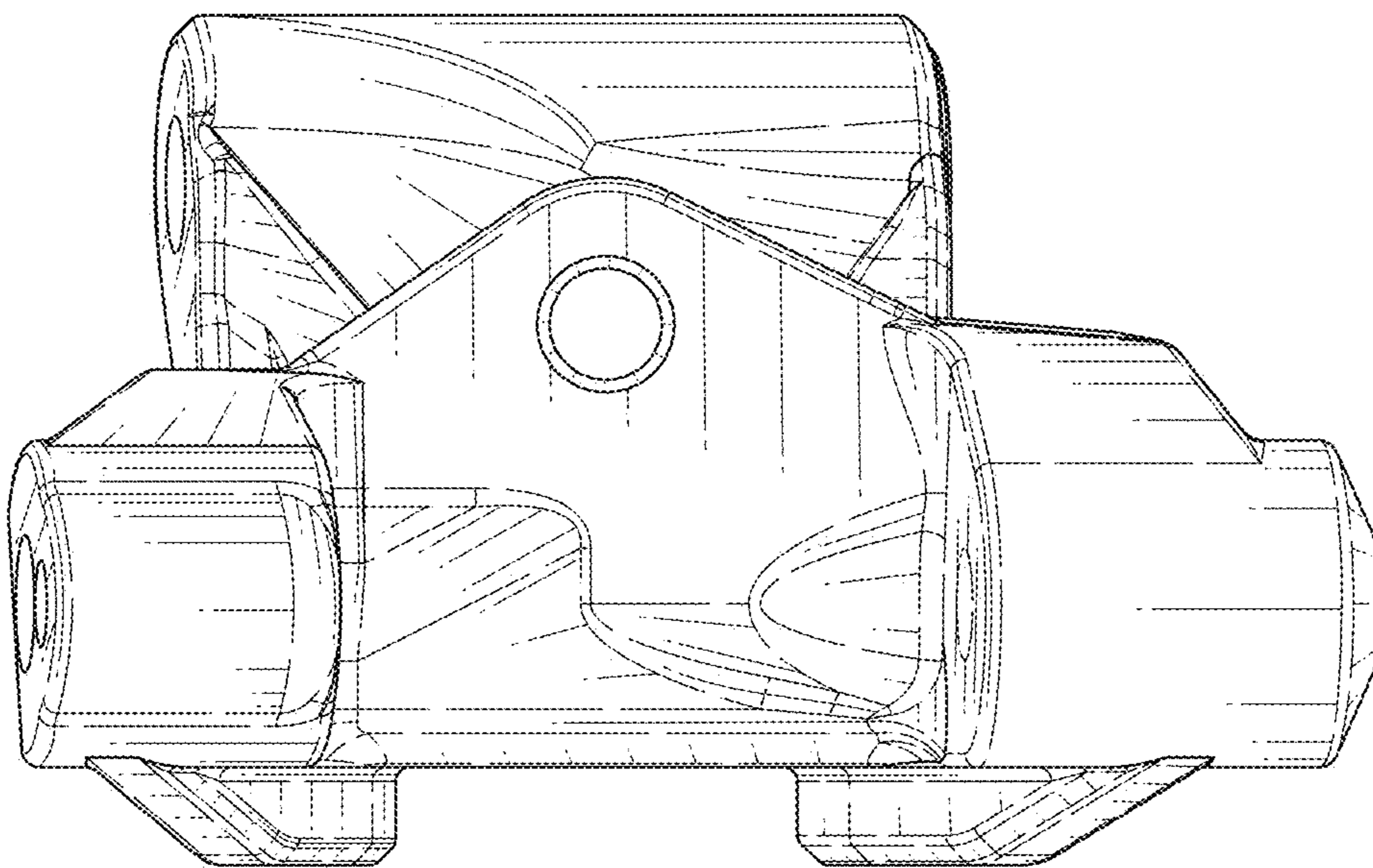


FIG. 7

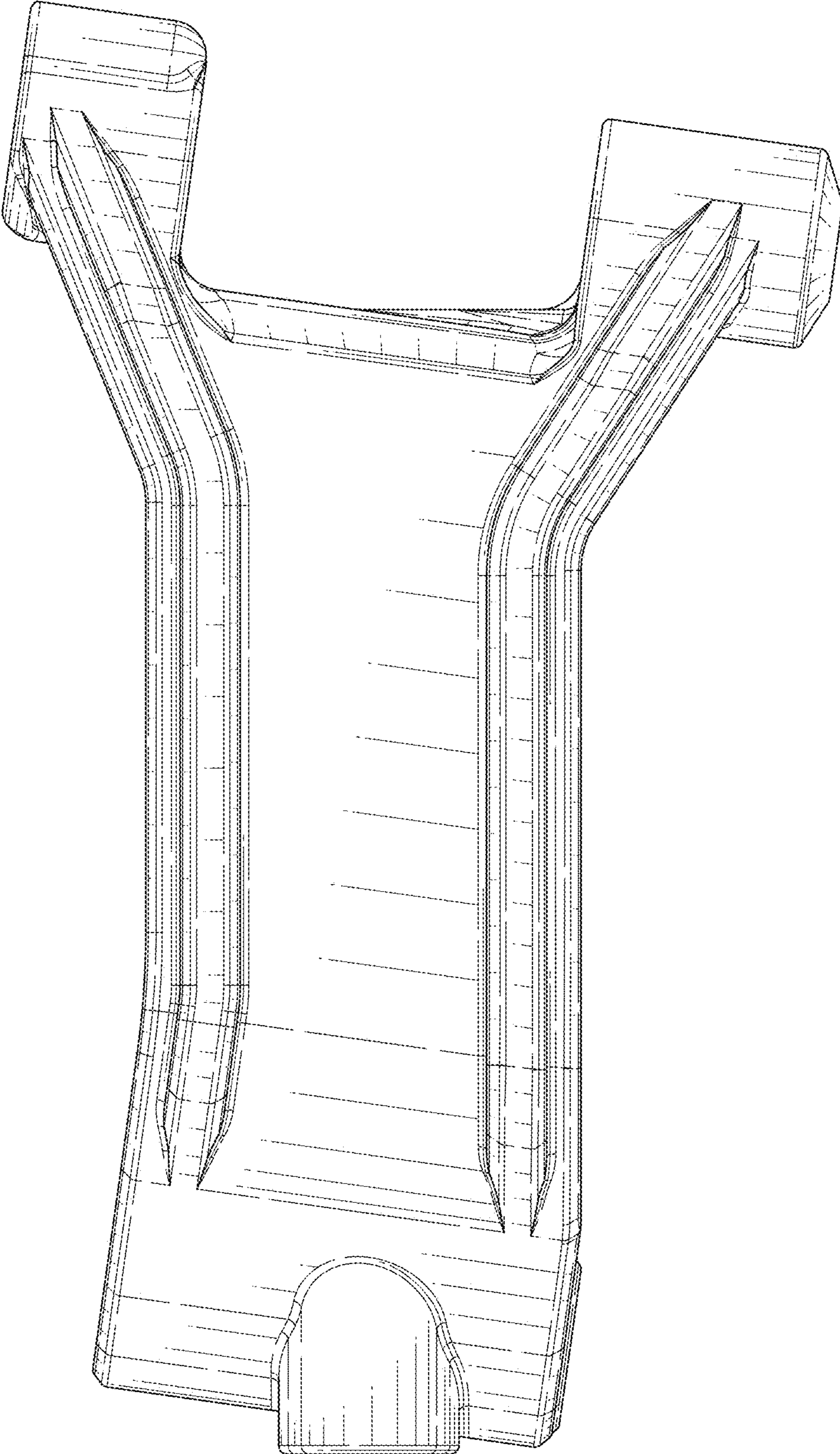


FIG. 9

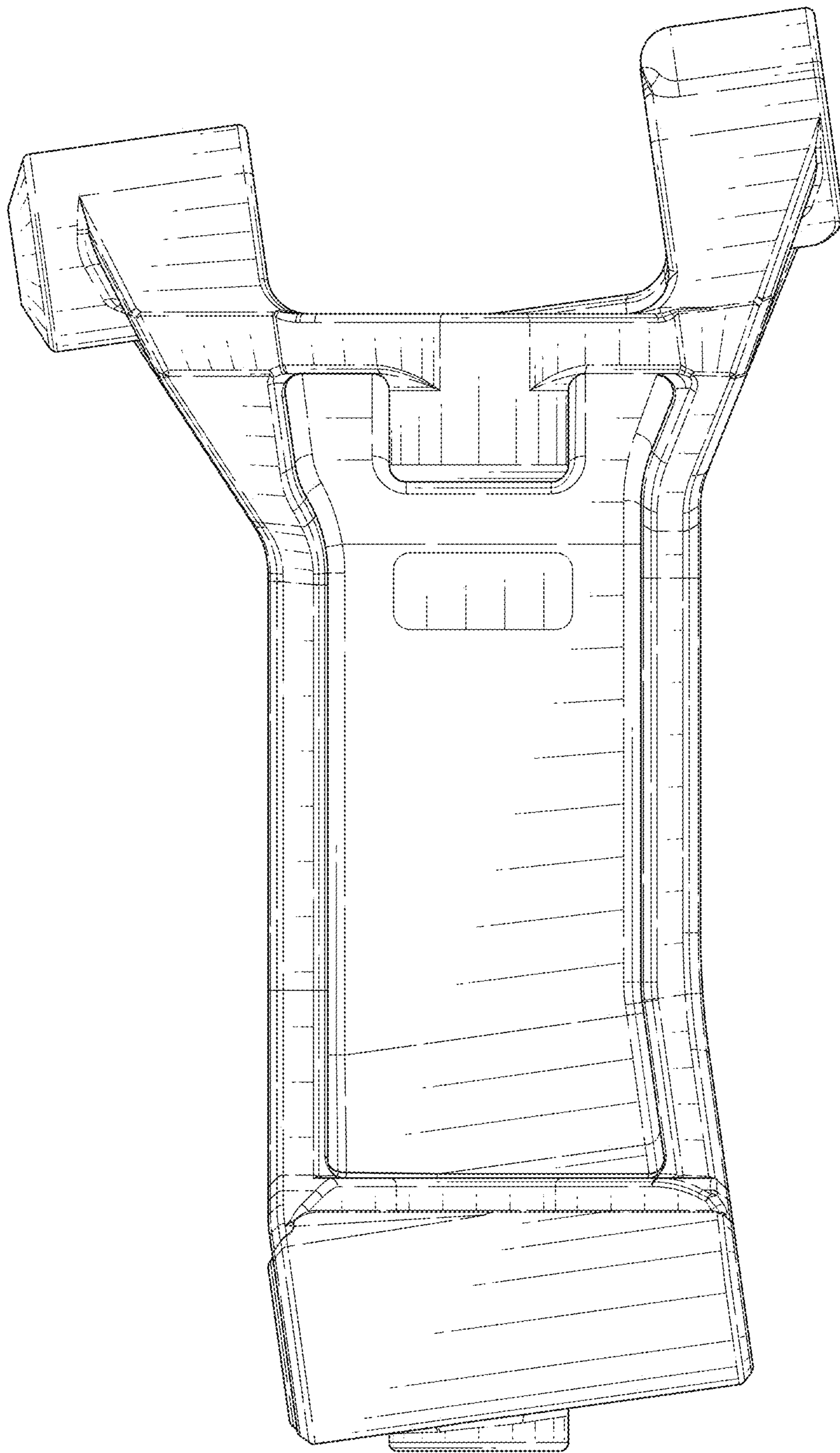


FIG. 10