



US0D1121739S

(12) **United States Design Patent** (10) **Patent No.:** **US D1,121,739 S**
Christensen et al. (45) **Date of Patent:** **** Apr. 7, 2026**

(54) **MODEL VEHICLE C-HUB**

FOREIGN PATENT DOCUMENTS

(71) Applicant: **TRAXXAS, L.P.**, McKinney, TX (US)

EM 007721154-0004 3/2020
EM 009162605-0003 9/2022

(72) Inventors: **Casey Christen Jens Christensen**,
Trenton, TX (US); **Jory Sprowl**, Howe,
TX (US); **Skylar Hagler**, Anna, TX
(US); **Randy Perez**, McKinney, TX
(US); **Terry Soward**, Van Alstyne, TX
(US); **Otto Karl Allmendinger**,
Rowlett, TX (US); **Adam Cole Ewing**,
McKinney, TX (US); **Kent Potteet**,
Lucas, TX (US)

(Continued)

OTHER PUBLICATIONS

Traxxas Maxx Aluminum Caster Blocks (Orange) Part# TRA8932A,
Amain Hobbies Website, as shown in www.amainhobbies.com,
Mar. 17, 2020 (Year: 2020).

(Continued)

Primary Examiner — Cynthia M. Chin

(73) Assignee: **TRAXXAS, L.P.**, McKinney, TX (US)

(74) *Attorney, Agent, or Firm* — Daryl R. Wright; Greg
Carr

(**) Term: **15 Years**

(21) Appl. No.: **29/989,502**

(57) **CLAIM**

(22) Filed: **Feb. 13, 2025**

The ornamental design for a model vehicle c-hub as shown
and described.

(51) **LOC (15) Cl.** **21-01**

(52) **U.S. Cl.**
USPC **D21/561**

(58) **Field of Classification Search**
USPC D21/484, 495, 561, 562; D12/159, 160,
D12/161, 169, 172, 180
CPC A63H 17/00; A63H 17/002; A63H 17/26;
A63H 17/262; A63H 17/36; A63H 17/42
See application file for complete search history.

DESCRIPTION

FIG. 1 is an upper, left, front perspective view of a model
vehicle c-hub showing our new design;
FIG. 2 is an upper, right, rear perspective view thereof;
FIG. 3 is a lower, right, front perspective view thereof;
FIG. 4 is a lower, left, rear perspective view thereof;
FIG. 5 is a front elevation view thereof;
FIG. 6 is a rear elevation view thereof;
FIG. 7 is an upper plan view thereof;
FIG. 8 is a lower plan view thereof;
FIG. 9 is a right-side elevation view thereof; and,
FIG. 10 is a left-side elevation view of a model vehicle
c-hub.
Only the left-side model vehicle c-hub is shown. The
right-side model vehicle c-hub is a mirror image of the
shown model vehicle c-hub.

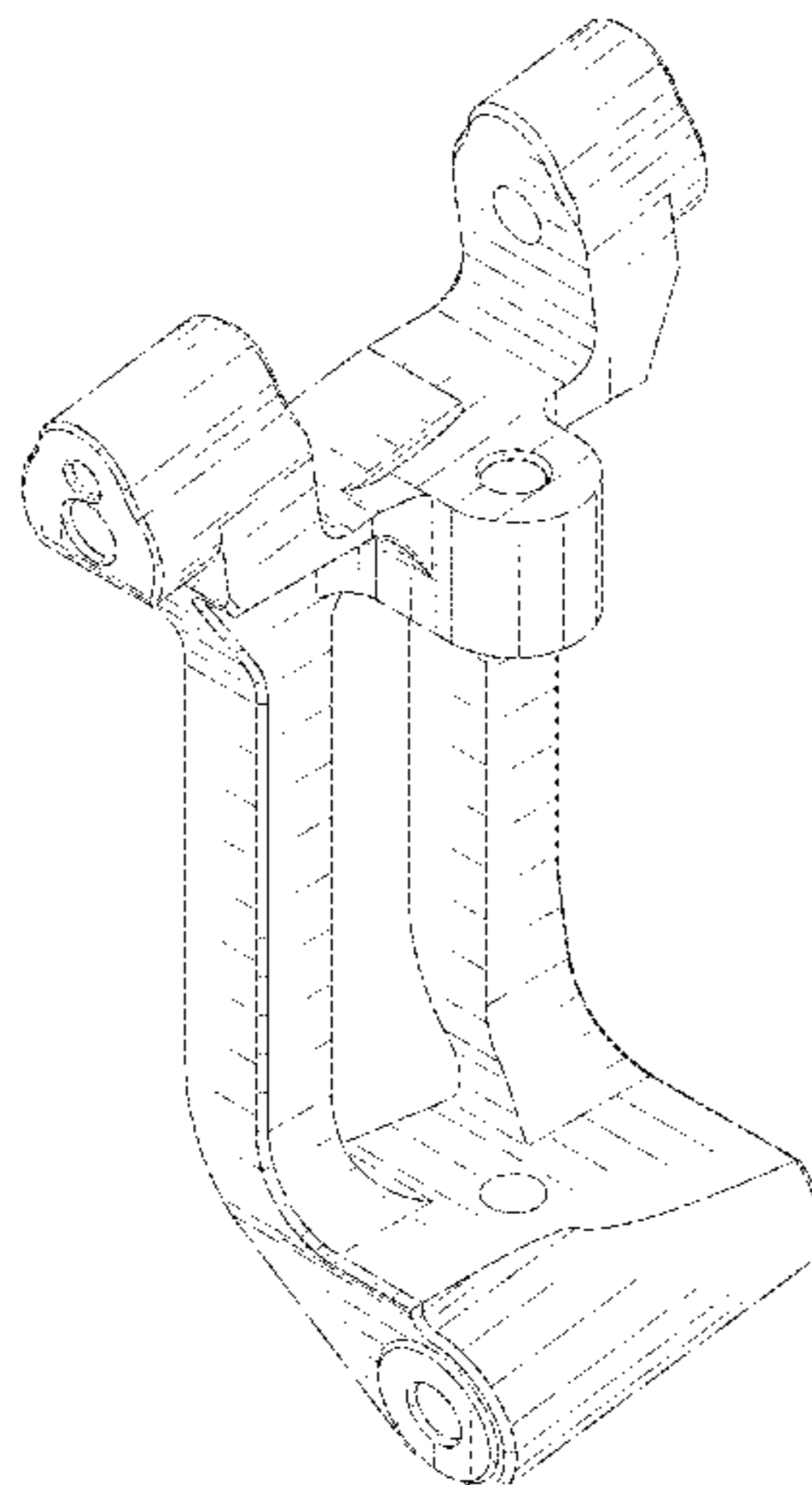
(56) **References Cited**

U.S. PATENT DOCUMENTS

4,690,656 A 9/1987 Friedman et al.
6,416,136 B1 7/2002 Smith
D605,985 S 12/2009 Pennala
7,810,604 B2 10/2010 Byers et al.
D661,713 S 6/2012 Marchesan
8,574,022 B2 11/2013 Grisolia et al.
D822,125 S 7/2018 Ewing et al.
D843,273 S 3/2019 Audley-Coote
D880,279 S 4/2020 Marchesan
D891,998 S 8/2020 Smith

(Continued)

1 Claim, 8 Drawing Sheets



(56)

References Cited

U.S. PATENT DOCUMENTS

D902,091	S	11/2020	Ewing et al.	
D913,166	S	3/2021	Kiska	
D923,115	S	6/2021	Ewing et al.	
D947,958	S	4/2022	Christensen et al.	
D1,014,658	S	2/2024	Christensen et al.	
D1,053,277	S *	12/2024	Poteet	D21/562
D1,053,278	S	12/2024	Poteet et al.	
D1,056,074	S *	12/2024	Poteet	D21/562
D1,058,702	S *	1/2025	Poteet	D21/562
D1,060,180	S	2/2025	Collins et al.	
D1,074,858	S	5/2025	Wood et al.	
D1,104,885	S *	12/2025	House	D21/562
D1,111,943	S *	2/2026	House	D21/561
D1,113,596	S *	2/2026	House	D21/561
2002/0077025	A1	6/2002	Wu	
2007/0256659	A1	11/2007	Anderson et al.	
2011/0079978	A1	4/2011	Schreiner et al.	

FOREIGN PATENT DOCUMENTS

EM	015066882-0003	7/2024
GB	90077211540004	3/2020
GB	6379193	7/2024
GB	6379200	7/2024
GB	6429716	3/2025

OTHER PUBLICATIONS

Traxxas 8932R Caster Blocks 6061-T6 Alum (Red-Anodized), Left & Right, ASIN: B081LP7RQ8, as shown in www.amazon.com, earliest customer review, Feb. 25, 2021 (Year: 2021).
 Traxxas; "T-Maxx Assemblies-Front Assembly," Traxxas LP, Plano, Texas.
 Traxxas C-Hubs, Published date unavailable [online], [retrieved on Feb. 5, 2022]. Retrieved from the Internet: <https://www.rcsuperstore.com/traxxas-caster-blocks-c-hubs-left-right-slash-4x4/> (Year: 2022).
 Traxxas Sledge Caster Blocks L/R w/ Kingpin Bushings, as shown in www.hobbytown.com, Jul. 5, 2022, Part # TRA9532. (Year: 2022).
 Traxxas XRT Caster Blocks (2), as shown in www.hobbytown.com, May 16, 2023, Part # TRA7832. (Year: 2023).
 Hot Racing Aluminum C-Hub Caster Blocks for Traxxas Maxx (Black) (2), as shown in www.hobbytown.com, May 4, 2021, Part # HRAMXX1901. (Year: 2021).
 Globact Brass LCG Heavy Weight Caster Blocks Portal Drive C-Hubs 84g Counterweight for 1/10 TRX4 TRX6 RC Crawler Car Upgrades Parts (2PCS), as shown in www.amazon.com, Aug. 9, 2023, ASIN B0C9SWT276. (Year: 2023).

Rcarmumb RC Upgrades Part for 1/10 Maxx WideMaxx, Aluminum Caster Blocks, Amazon Website, Earliest Comment Date: Jan. 30, 2023 [Website Visited Oct. 1, 2024], Available on the Internet URL: <https://www.amazon.com/dp/B0BBN892JJ/> (Year: 2023).
 Traxxas X-Maxx Caster Blocks, Amazon Website, Earliest Comment Date: Sep. 9, 2016 [Website Visited Oct. 2, 2024], Available on the Internet URL: <https://www.amazon.com/Traxxas-7732-X-Maxx-Caster-Blocks/dp/B01A6YD1XC> (Year: 2016).
 2pcs Alloy Front C Hub Carrier Caster Blocks 7732 for RC Hobby Car 1/5 1/6 X-MAXX (Red), Amazon Website, Earliest Comment Date: Oct. 21, 2021 [Website Visited Oct. 2, 2024], Available on the Internet URL: <https://www.amazon.com/dp/B092M9XJYW/> (Year: 2021).
 Aluminum Caster Blocks, Traxxas Website, No Available Date [Website Visited Oct. 2, 2024], Available on the Internet URL: <https://traxxas.com/products/parts/7832-RED> (Year: 2024).
 Traxxas TRX-4M Front Steering Blocks & Caster Blocks, Part#: TRA9732, as shown in www.amainhobbies.com, May 22, 2023. (Year: 2023).
 Steering blocks, left & right/ caster blocks (c-hubs), left or right (2), Traxxas website, posted date unknown [online], [retrieved Nov. 25, 2024]. Retrieved from internet, <https://traxxas.com/products/parts/9732> (Year: 2024).
 OGRC 5g Brass Caster Blocks C-Hubs for Traxxas TRX4M 1/18 Bronco/Defender, Amazon website, posted date unknown [online], [retrieved Nov. 25, 2024]. Retrieved from internet, <https://www.amazon.com/Caster-Blocks-Traxxas-Defender-Upgrade/dp/B0BWQ8WRCJ/> (Year: 2024).
 Injora Black Brass Caster Blocks C-Hubs 4g Front Counterweight for 1/18 RC Crawler, posted date unknown [online], [retrieved Nov. 25, 2024]. Retrieved from internet, <https://www.amazon.com/dp/B0BQDD4HGZ> (Year: 2024).
 Traxxas Sledge Aluminum Caster Blocks Left & Right (Dark Titanium) (2), Part# TRA9532A, as shown in www.hobbytown.com, Aug. 9, 2022. (Year: 2022).
 Aluminum 7075-T6 Alloy Front C Hub for Traxxas 1:8 Jato 4x4 VXL Brushless Buggy Upgrades—Green, Amazon Website, No Available Date [Website Visited Aug. 4, 2025] Available on the Internet, URL <https://www.amazon.com/dp/B0F9PMWFWC> (Year: 2025).
 Meus Racing Aluminum Steering Knuckles C-Hub Stub Axle Carrier ONLY for Traxxas, Amazon Website, Earliest Comment Date: Jul. 23, 2025 [Website Visited Aug. 4, 2025] Available on the Internet, URL <https://www.amazon.com/dp/B0F9FDS995/> (Year: 2025).
 Black Caster Blocks (L&R), Traxxas Website, No Available Date [Website Visited Aug. 4, 2025] Available on the Internet, URL <https://traxxas.com/10732-blk-black-caster-blocks-lr> (Year: 2025).

* cited by examiner

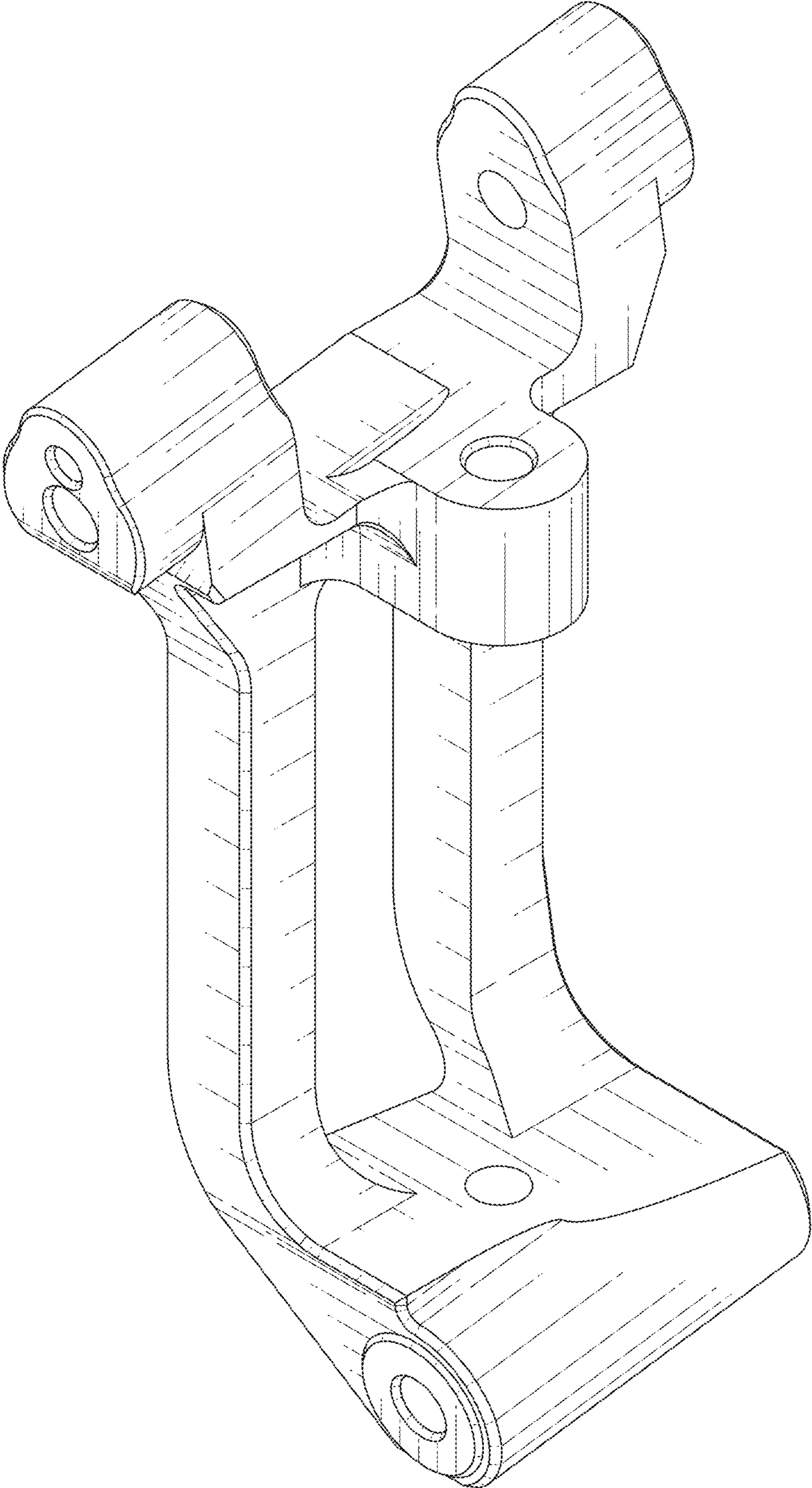


FIG. 1

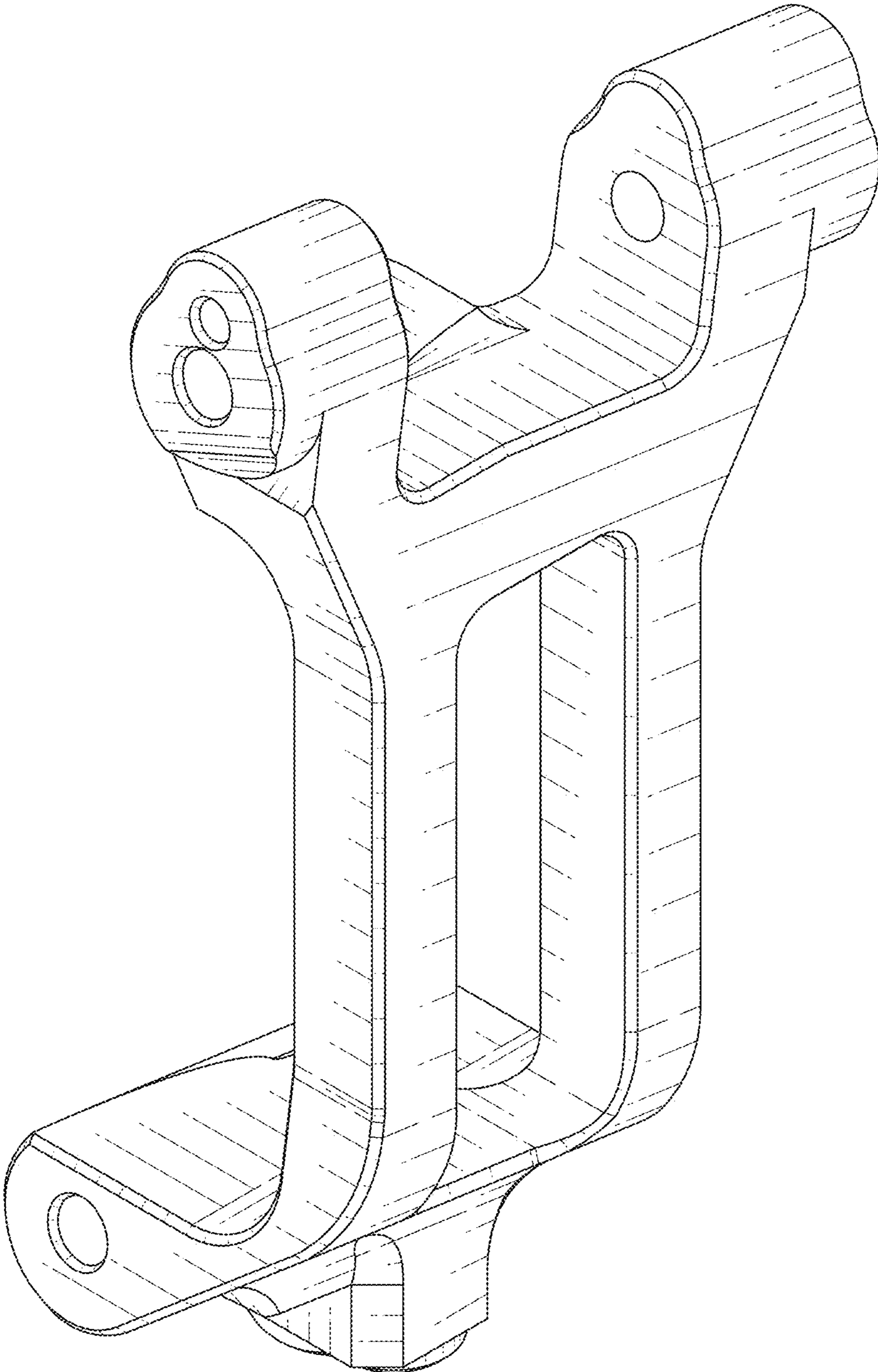


FIG. 2

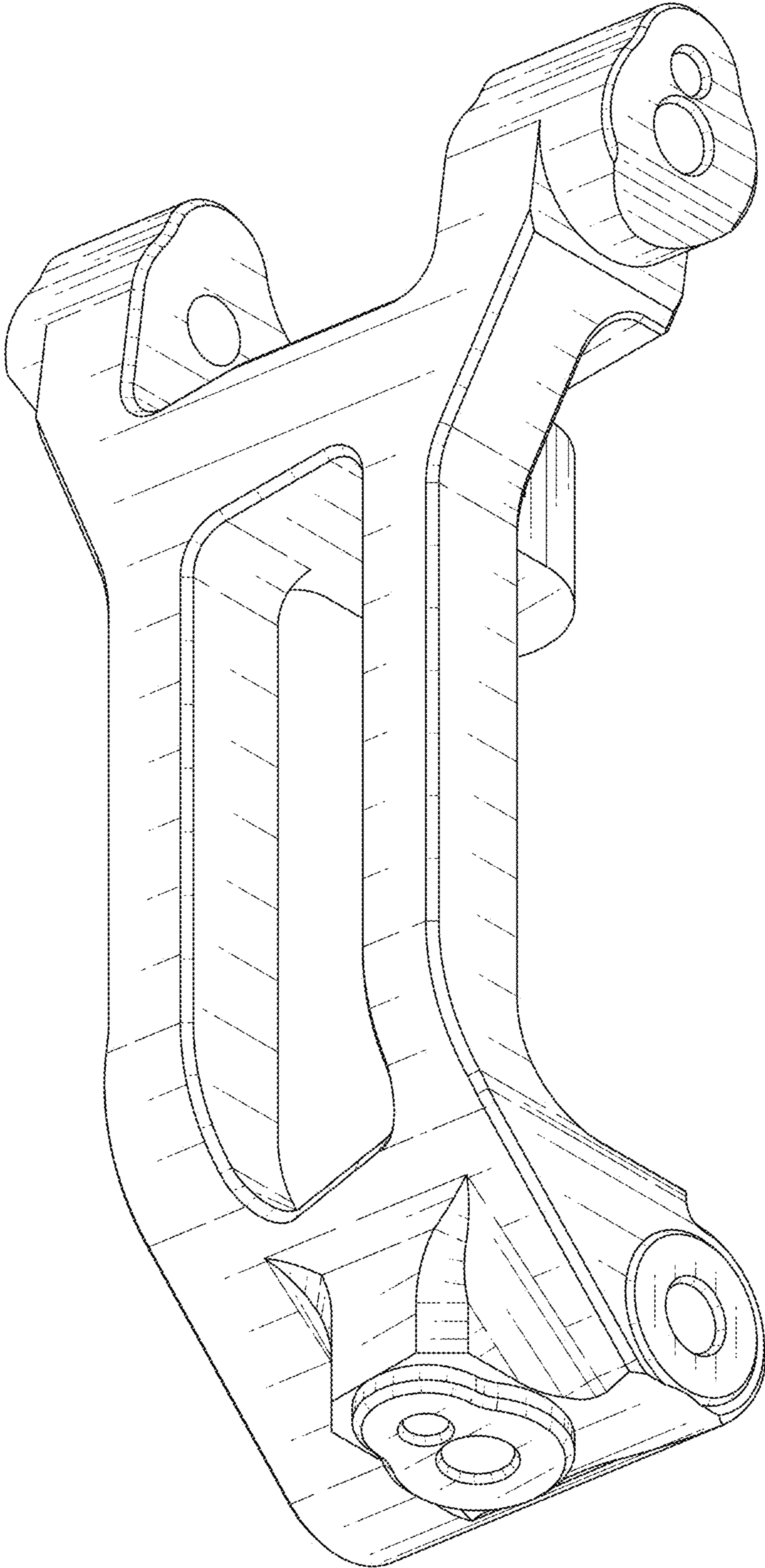


FIG. 3

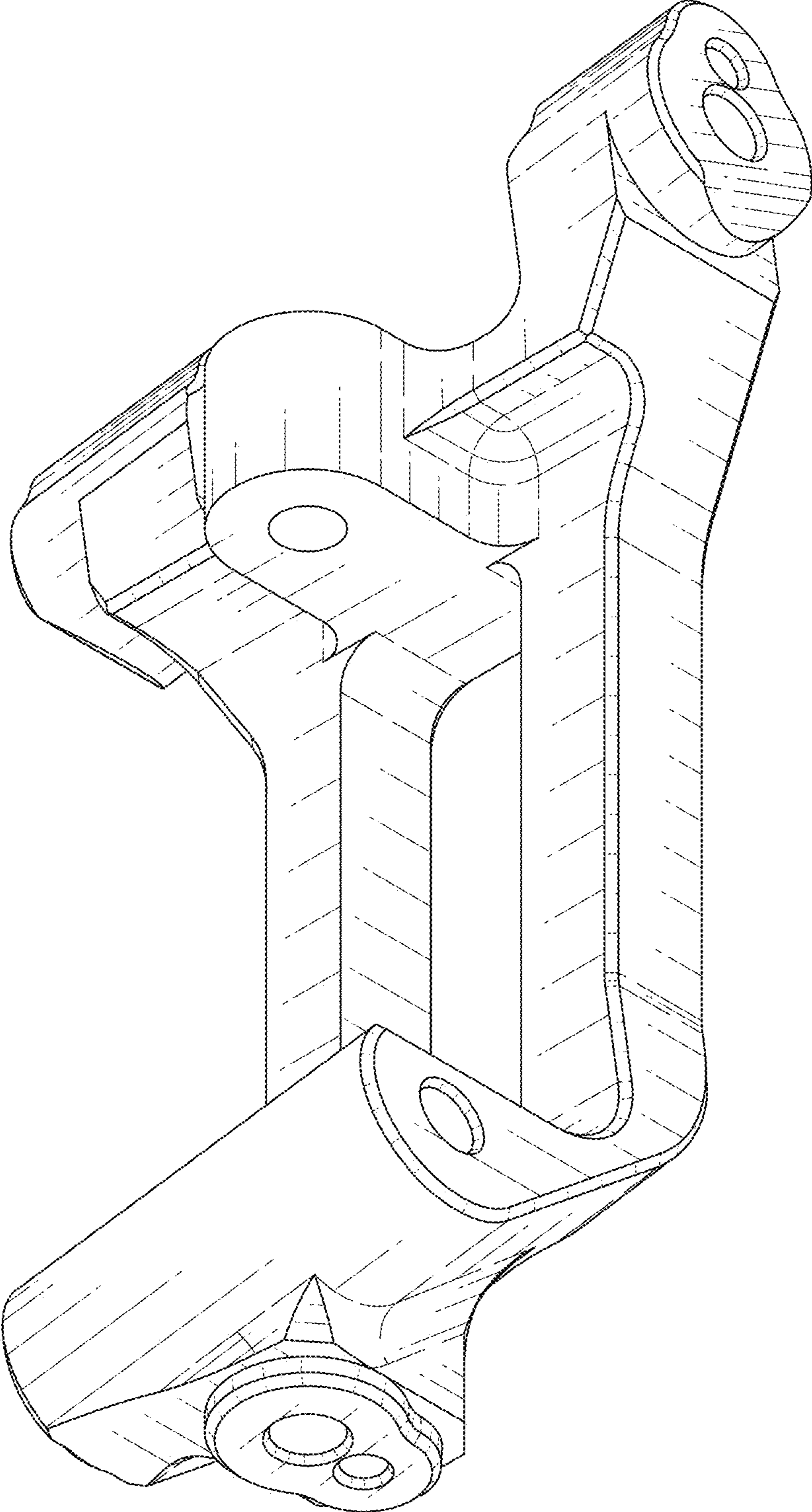


FIG. 4

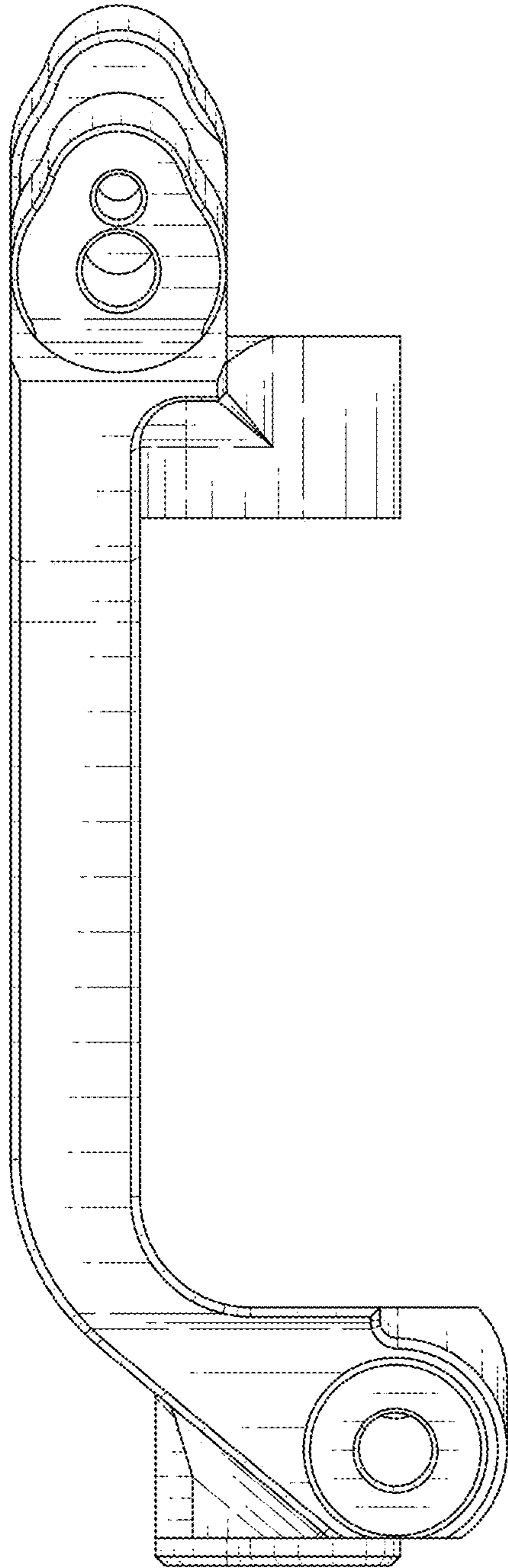


FIG. 5

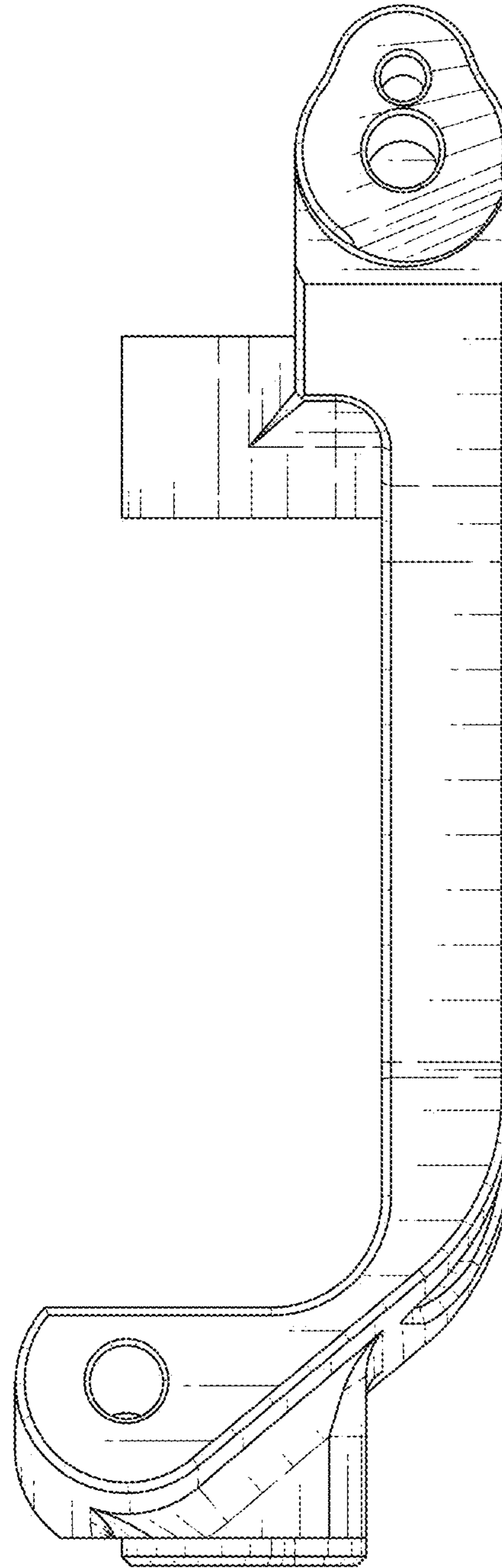


FIG. 6

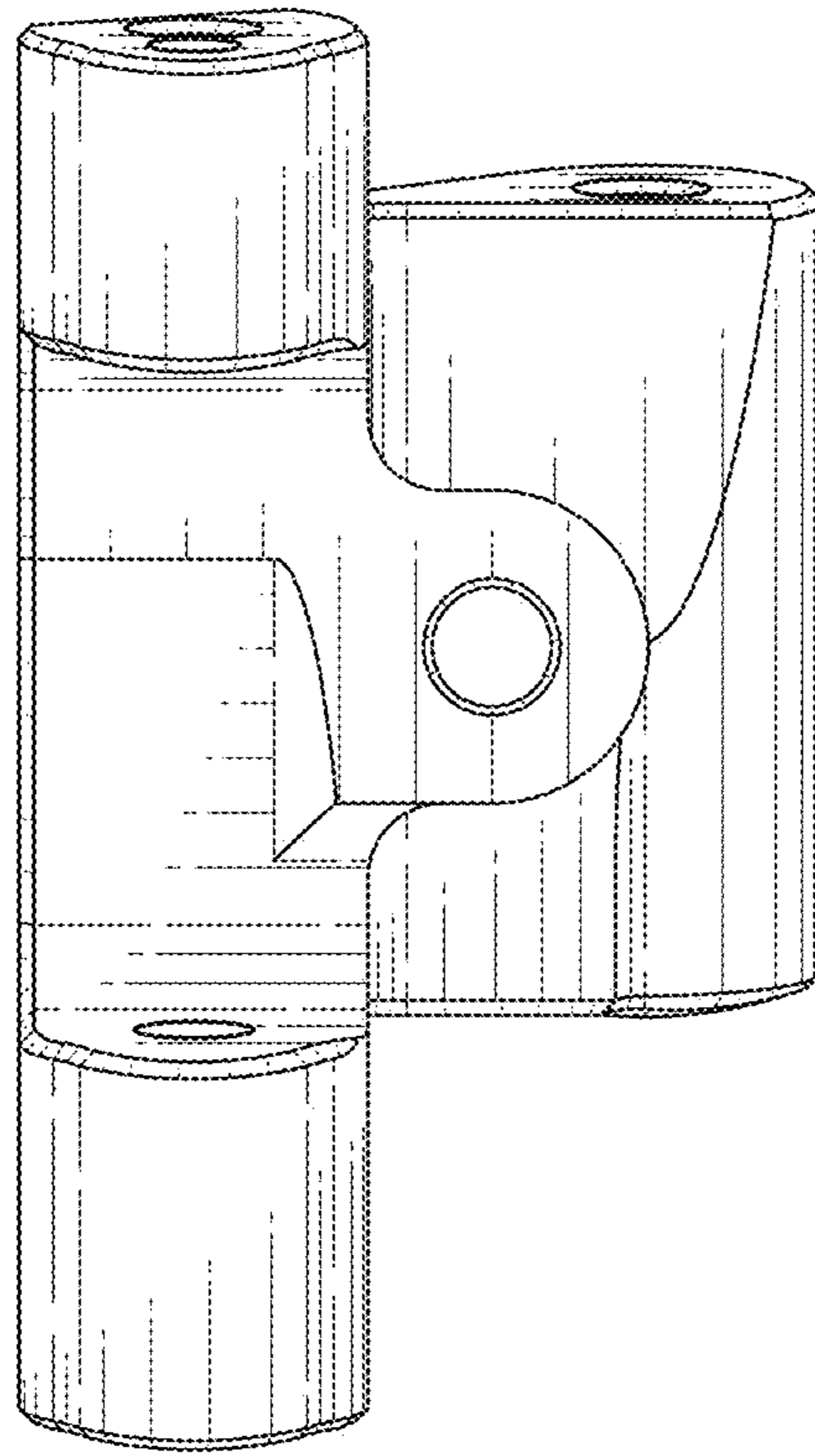


FIG. 7

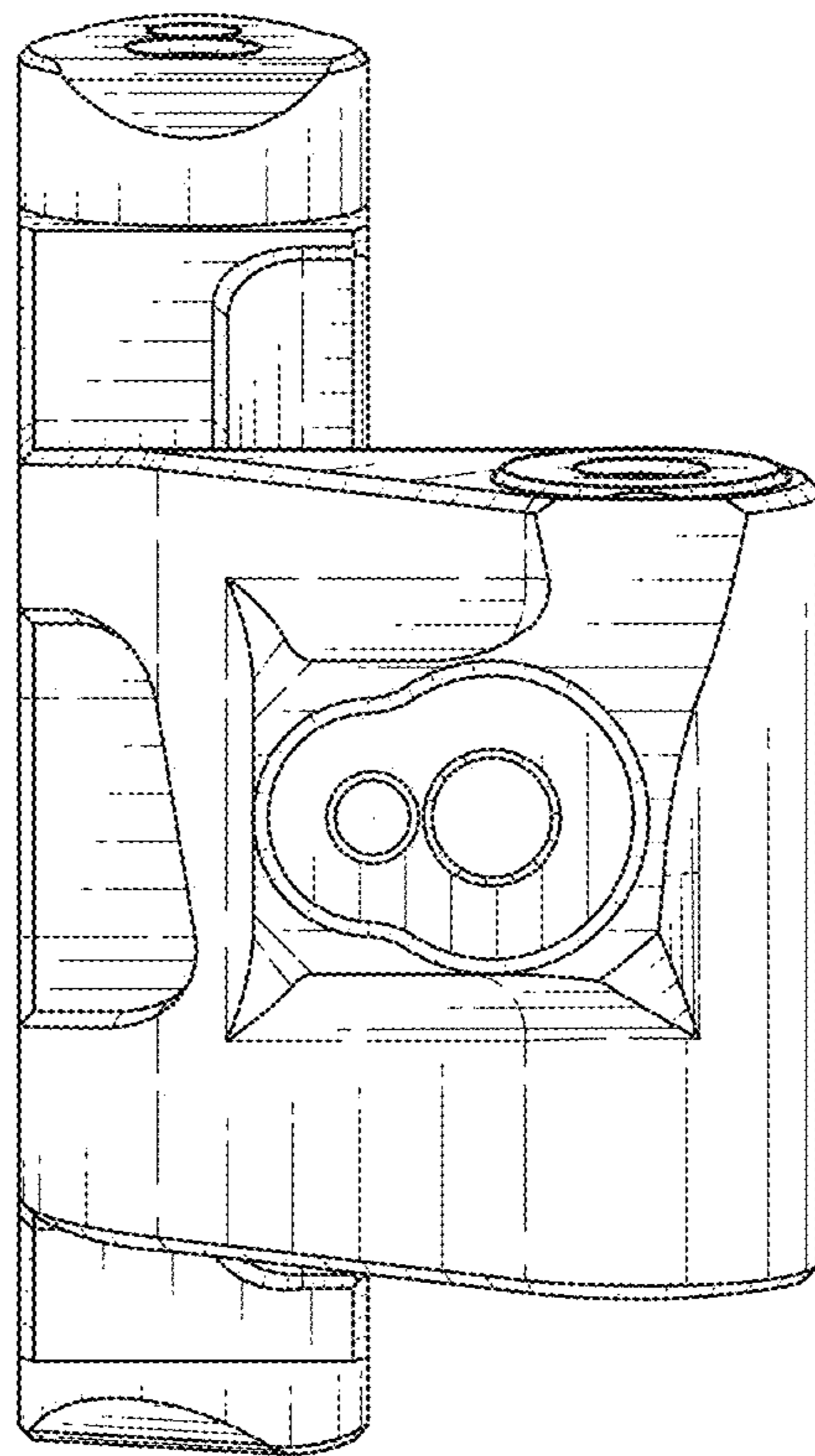


FIG. 8

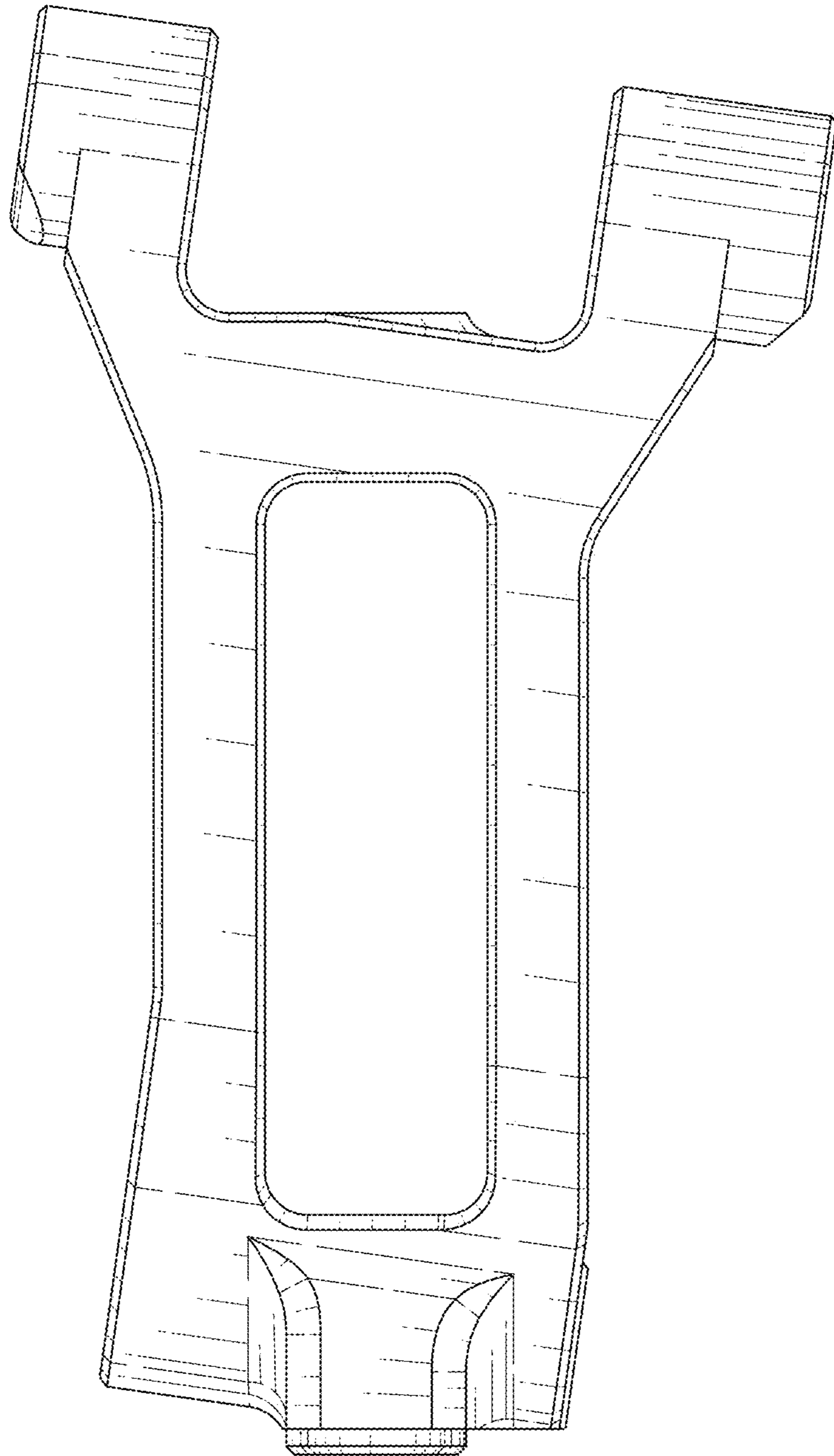


FIG. 9

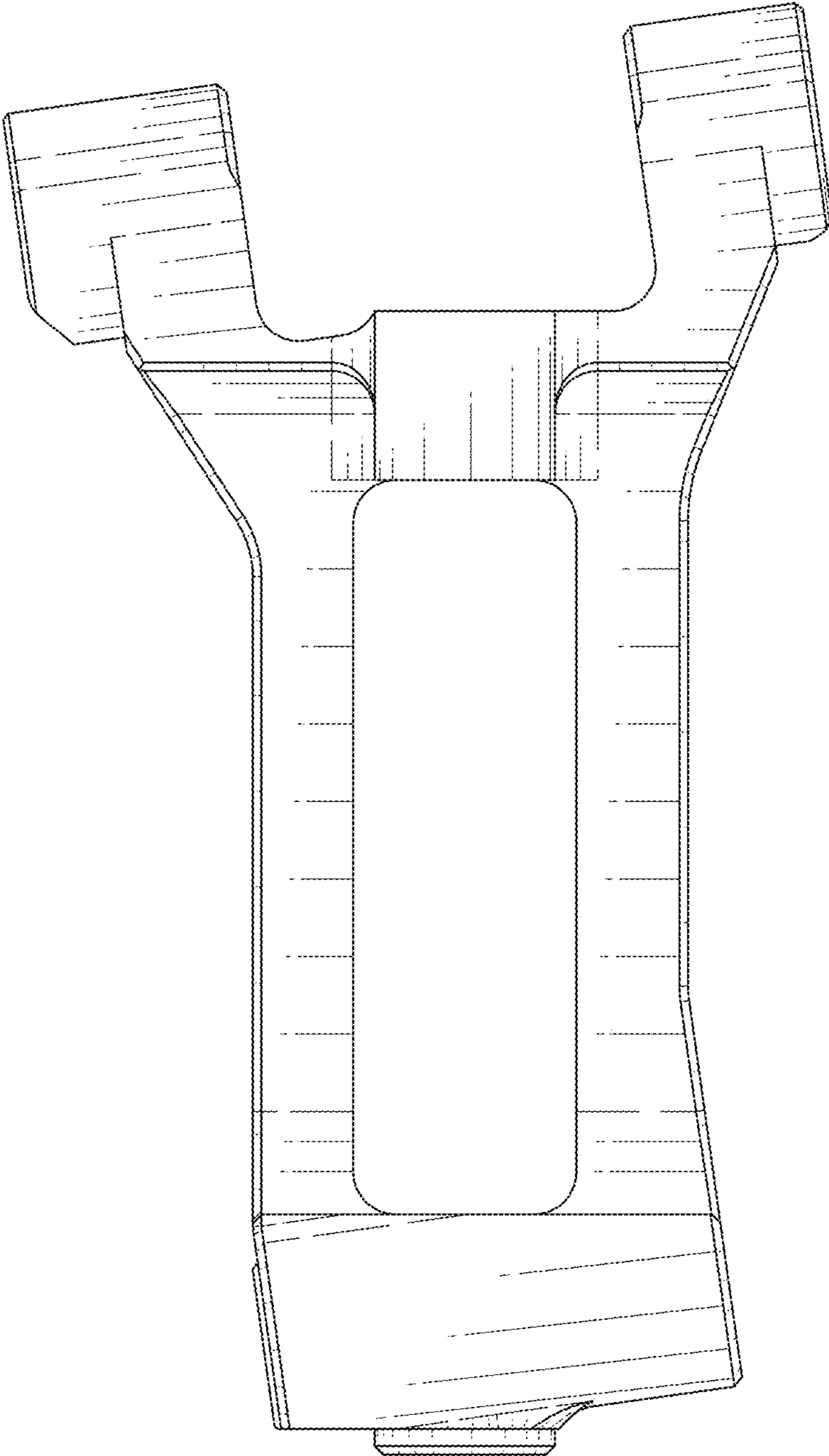


FIG. 10