



US0D1121738S

(12) **United States Design Patent**  
**Christensen et al.**

(10) **Patent No.:** **US D1,121,738 S**

(45) **Date of Patent:** **\*\* Apr. 7, 2026**

(54) **MODEL VEHICLE BRAKE SERVO HORN**  
(71) Applicant: **TRAXXAS, L.P.**, McKinney, TX (US)  
(72) Inventors: **Casey Christen Jens Christensen**,  
Trenton, TX (US); **Jory Sprowl**, Howe,  
TX (US); **Skylar Hagler**, Anna, TX  
(US); **Randy Perez**, McKinney, TX  
(US); **Terry Soward**, Van Alstyne, TX  
(US); **Otto Karl Allmendinger**,  
Rowlett, TX (US); **Adam Cole Ewing**,  
McKinney, TX (US); **Kent Poteet**,  
Lucas, TX (US)

D1,049,262 S \* 10/2024 Wood ..... D21/562  
D1,074,848 S \* 5/2025 Hix ..... D12/159  
D1,074,849 S \* 5/2025 Hix ..... D12/159  
D1,074,850 S \* 5/2025 Hix ..... D12/159  
D1,081,841 S \* 7/2025 Poteet ..... D21/562  
D1,094,586 S \* 9/2025 Perez ..... D21/562  
D1,109,816 S \* 1/2026 Perez ..... D21/562  
D1,111,943 S \* 2/2026 House ..... D21/561  
D1,113,596 S \* 2/2026 House ..... D21/561

\* cited by examiner

*Primary Examiner* — Cynthia M. Chin

(74) *Attorney, Agent, or Firm* — Daryl R. Wright; Greg Carr

(73) Assignee: **TRAXXAS, L.P.**, McKinney, TX (US)  
(\*\*) Term: **15 Years**

(57) **CLAIM**

The ornamental design for a model vehicle brake servo horn as shown and described.

(21) Appl. No.: **29/989,501**

**DESCRIPTION**

(22) Filed: **Feb. 13, 2025**

(51) **LOC (15) Cl.** ..... **21-01**

(52) **U.S. Cl.**  
USPC ..... **D21/561**

(58) **Field of Classification Search**  
USPC ..... D21/484, 495, 561, 562; D12/159, 160,  
D12/161, 169, 172, 180  
CPC ..... A63H 17/00; A63H 17/002; A63H 17/26;  
A63H 17/262; A63H 17/36; A63H 17/42  
See application file for complete search history.

FIG. 1 is an upper, left, front perspective view of a model vehicle brake servo horn showing our new design;  
FIG. 2 is an upper, right, rear perspective view thereof;  
FIG. 3 is a lower, right, front perspective view thereof;  
FIG. 4 is a lower, left, rear perspective view thereof;  
FIG. 5 is a front elevation view thereof;  
FIG. 6 is a rear elevation view thereof;  
FIG. 7 is an upper plan view thereof;  
FIG. 8 is a lower plan view thereof;  
FIG. 9 is a right-side elevation view thereof; and,  
FIG. 10 is a left-side elevation view of a model vehicle brake servo horn.

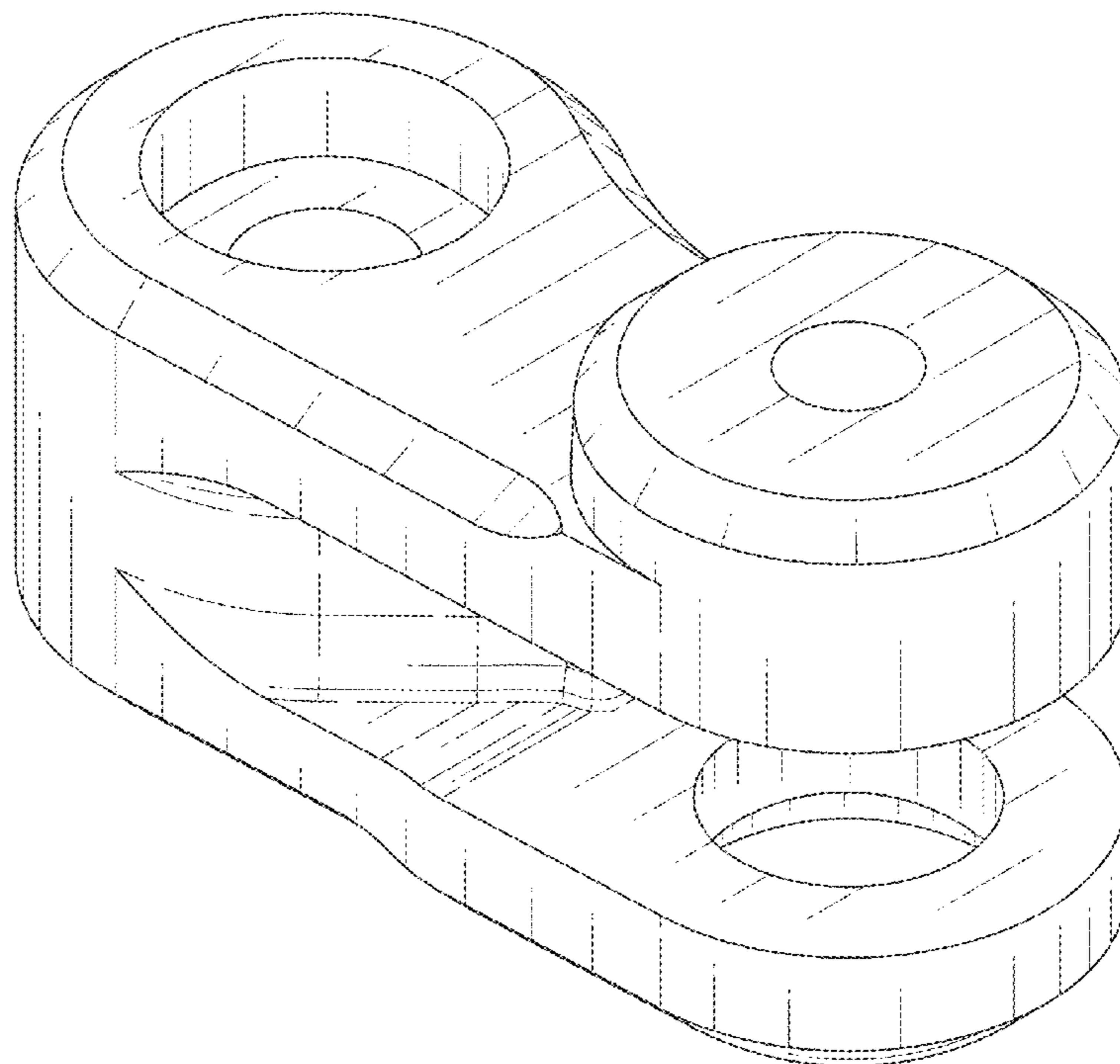
In the drawings, the broken lines illustrate portions of the model vehicle brake servo horn that form no part of the claimed design.

(56) **References Cited**

**U.S. PATENT DOCUMENTS**

D926,641 S \* 8/2021 Durand ..... D12/160  
D973,555 S \* 12/2022 Durand ..... D12/160

**1 Claim, 7 Drawing Sheets**



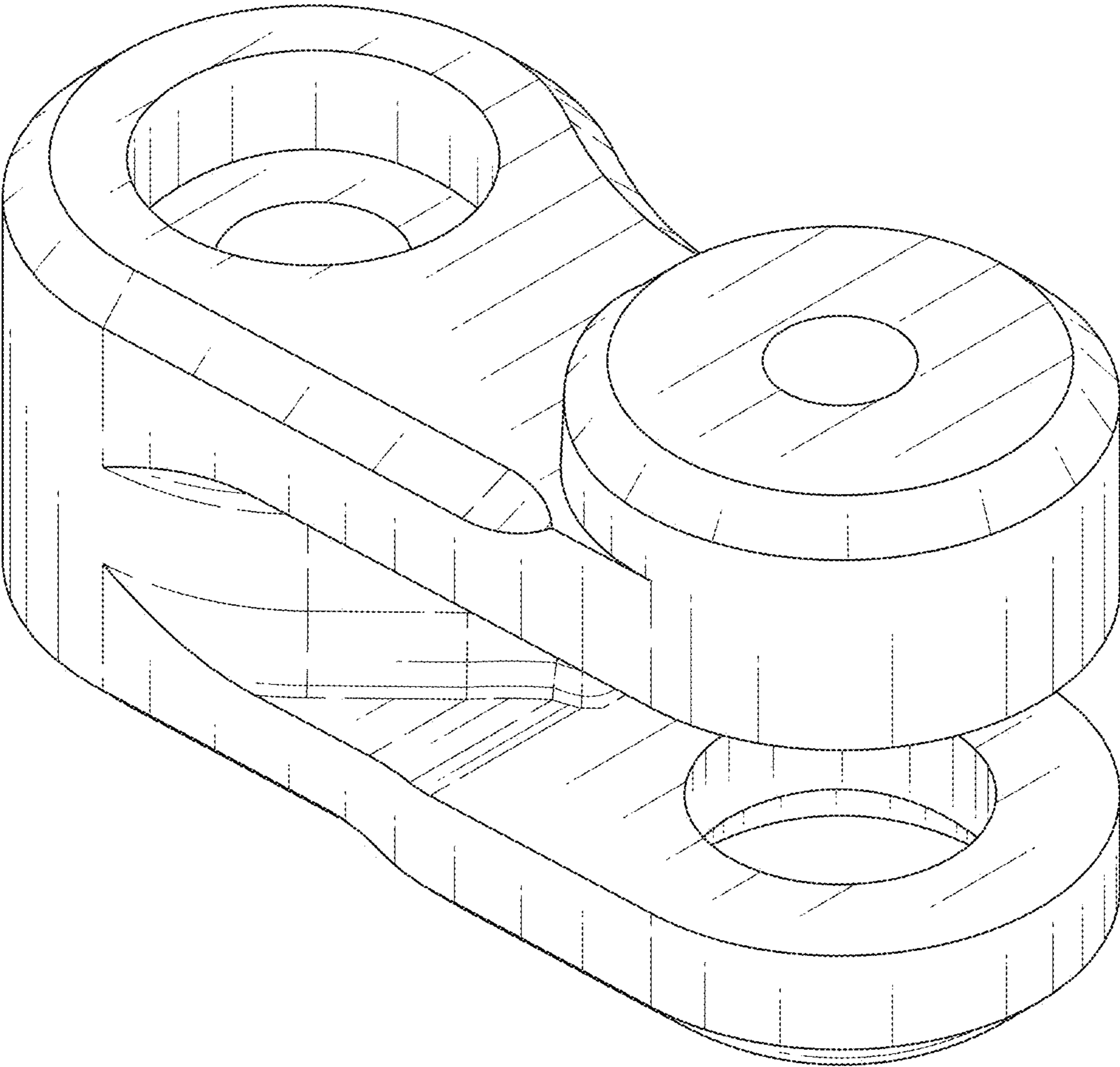


FIG. 1

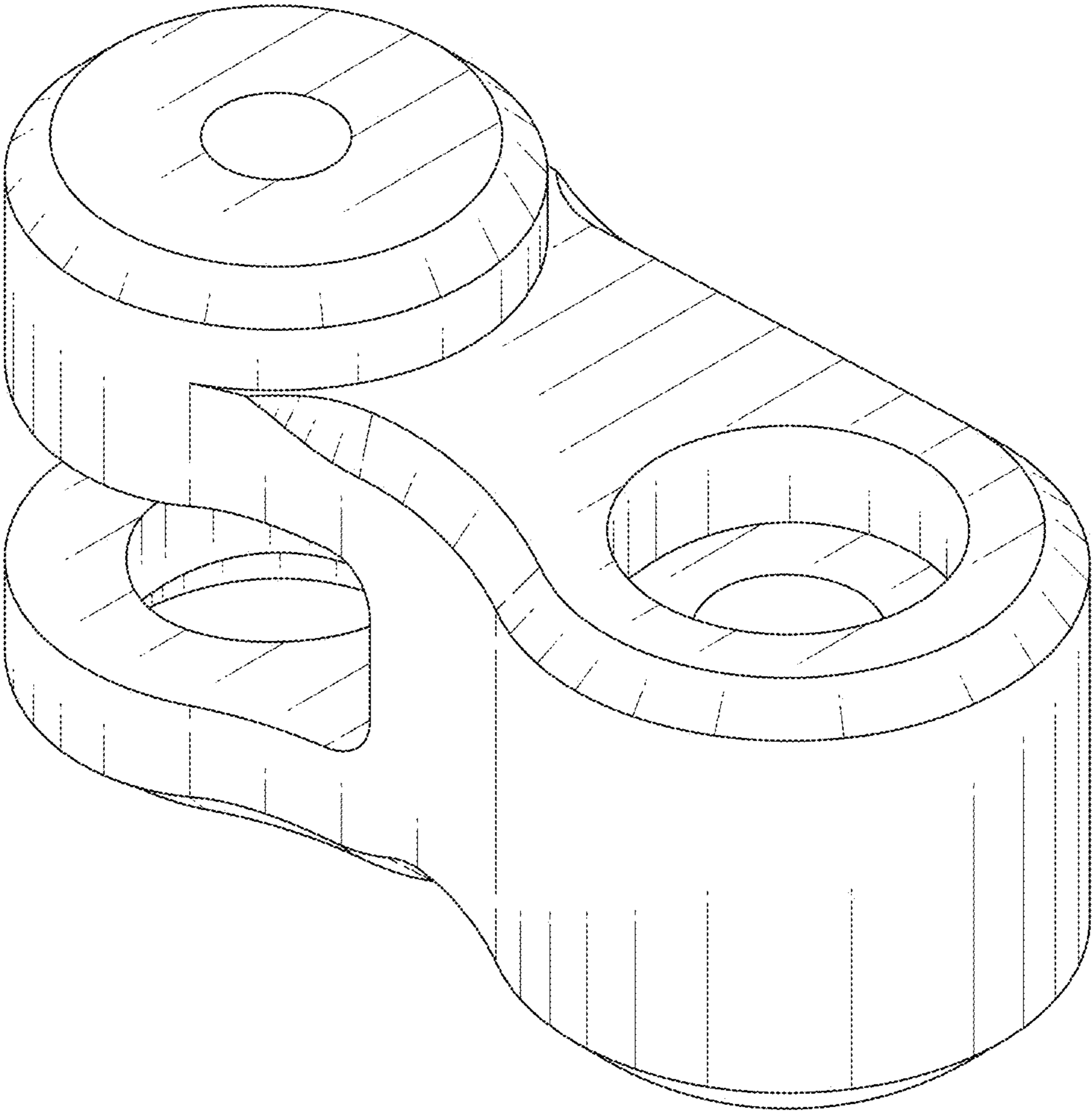


FIG. 2

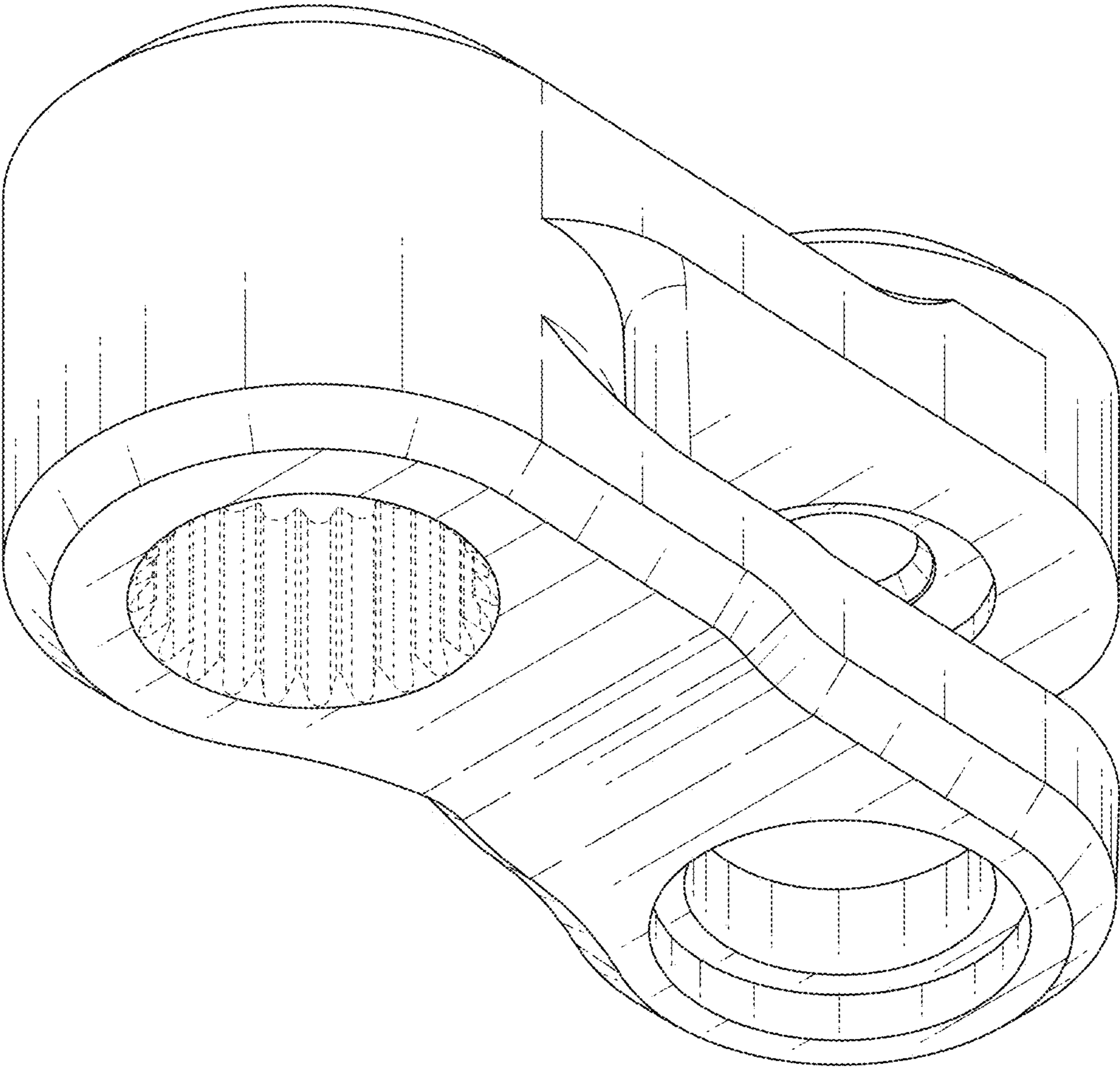


FIG. 3

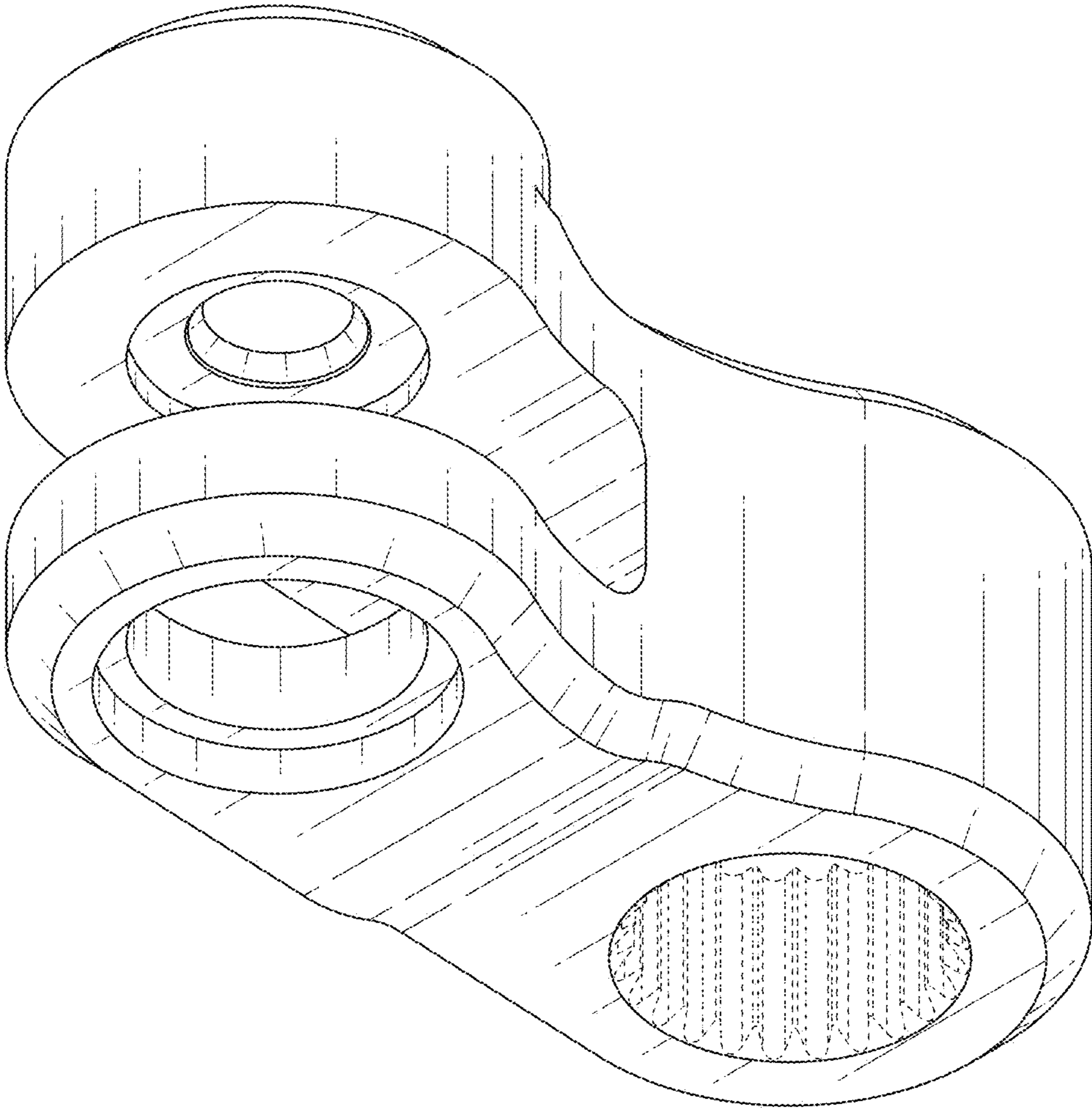


FIG. 4

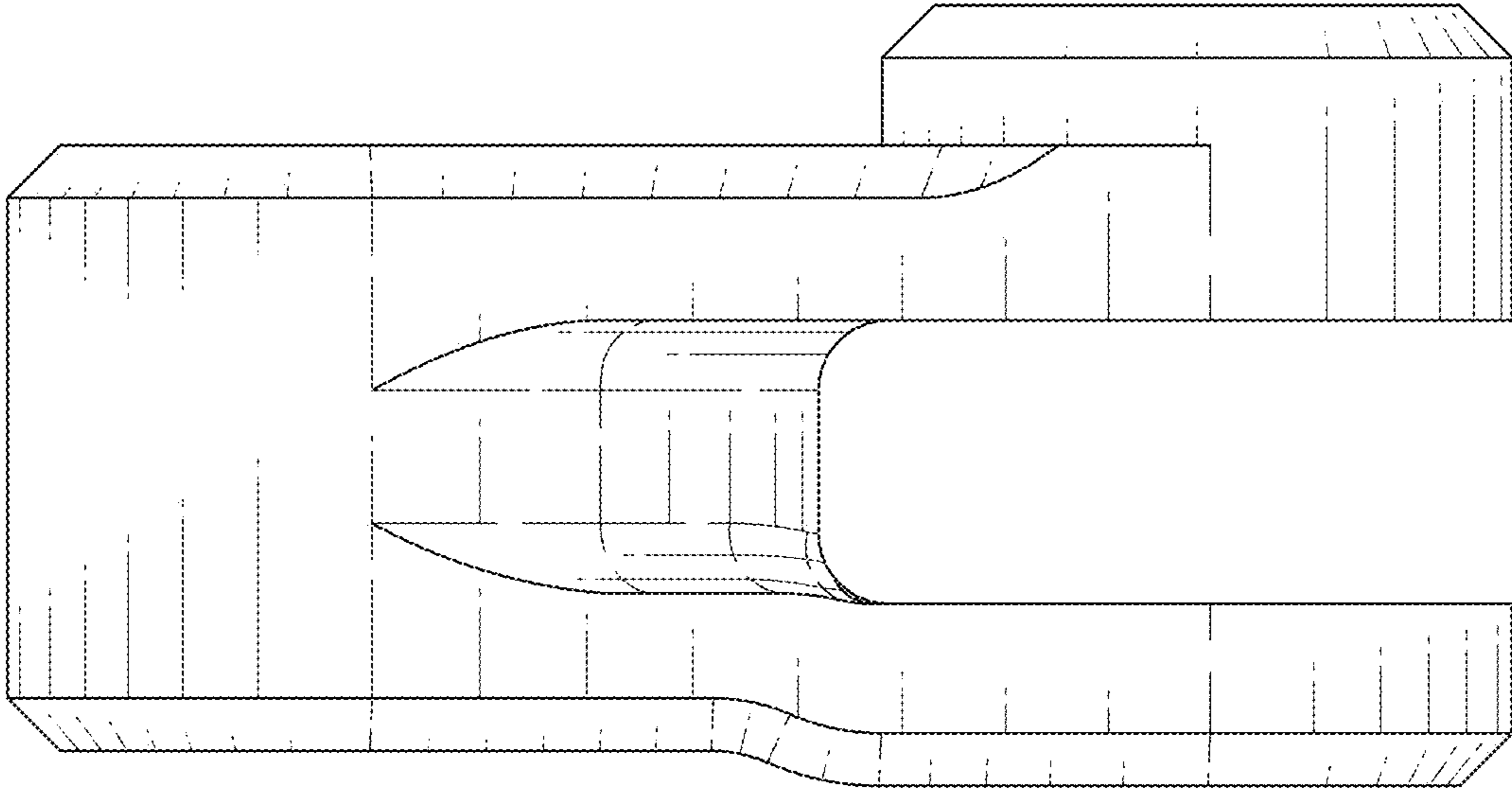


FIG. 5

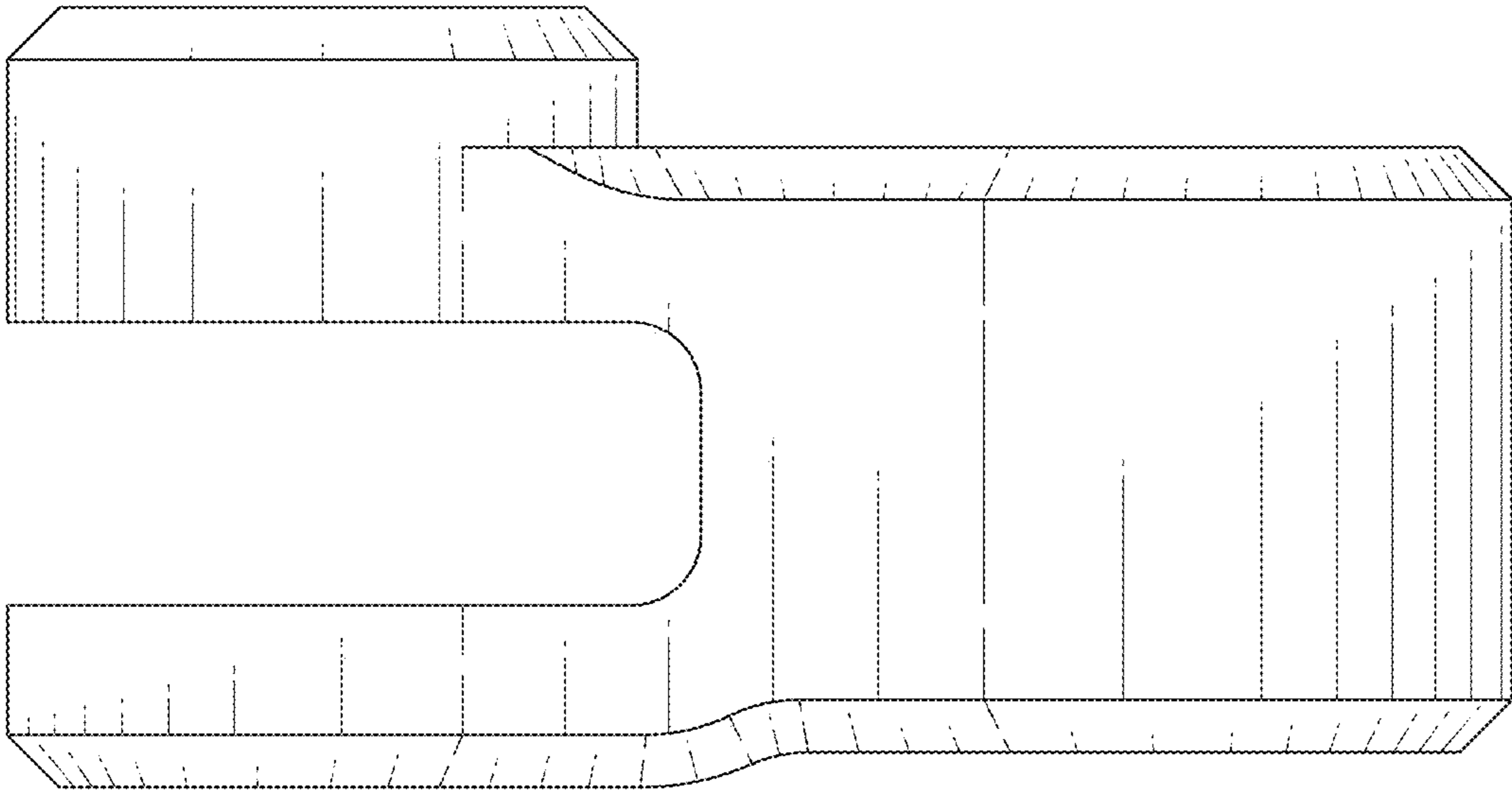


FIG. 6

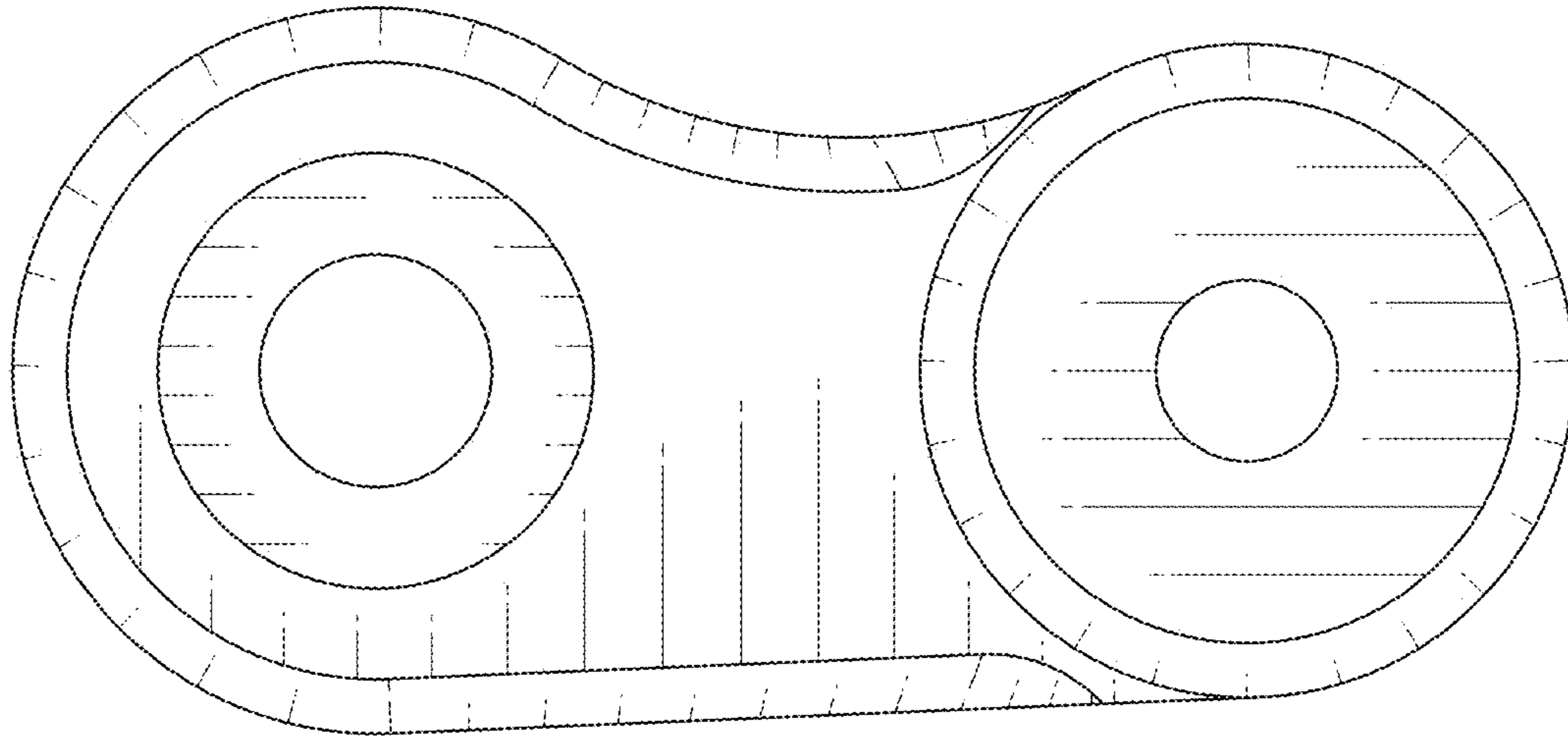


FIG. 7

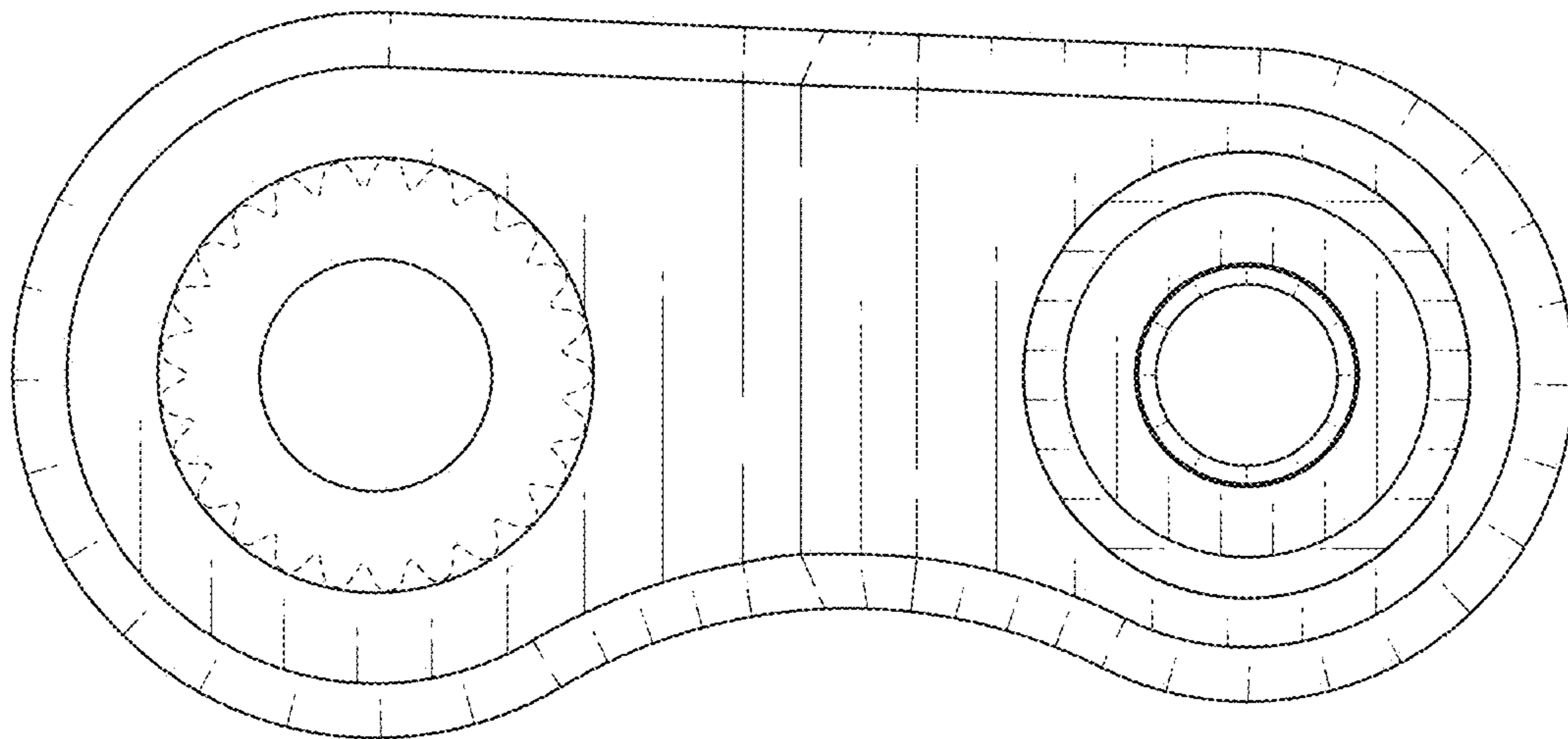


FIG. 8

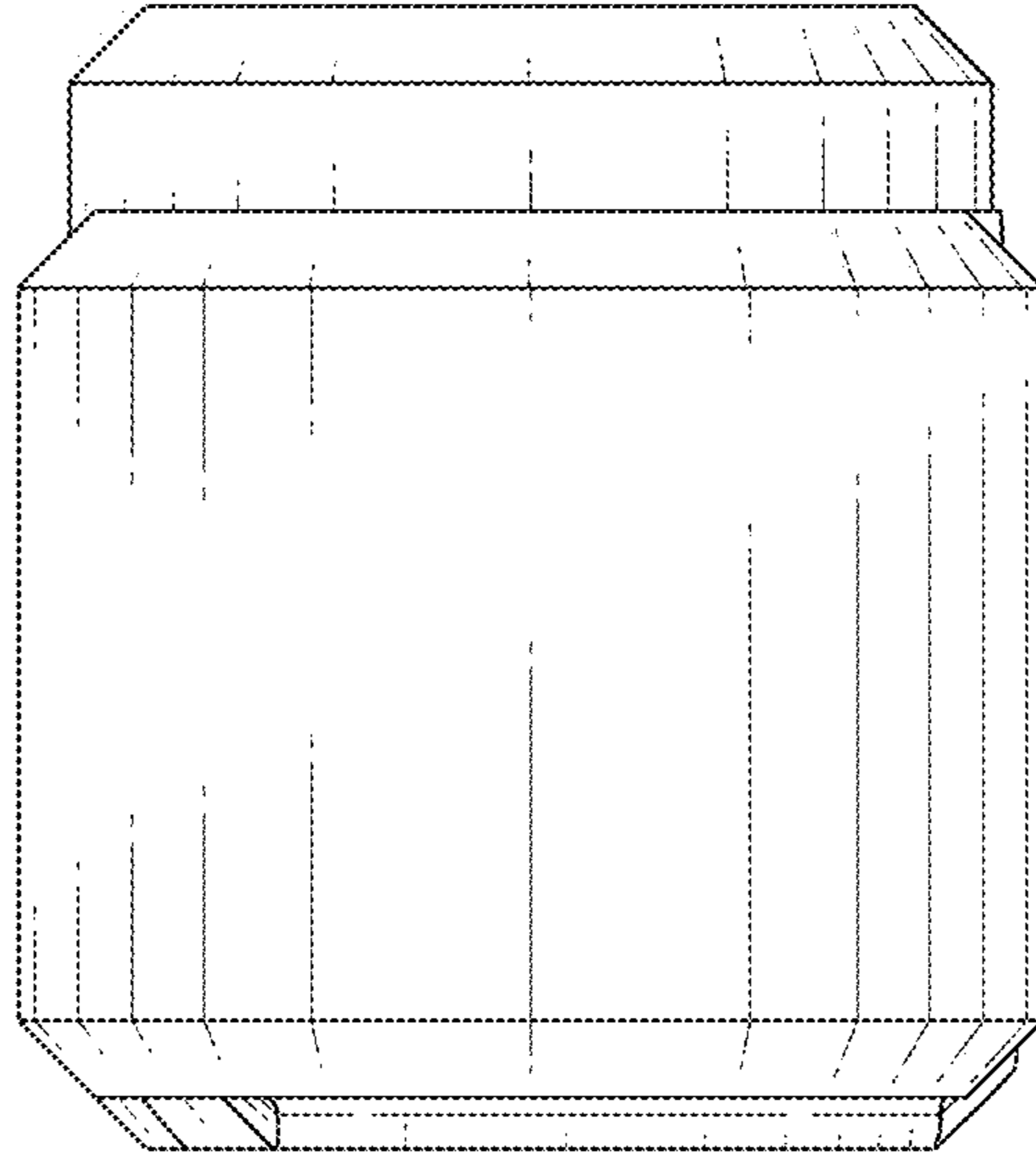


FIG. 9

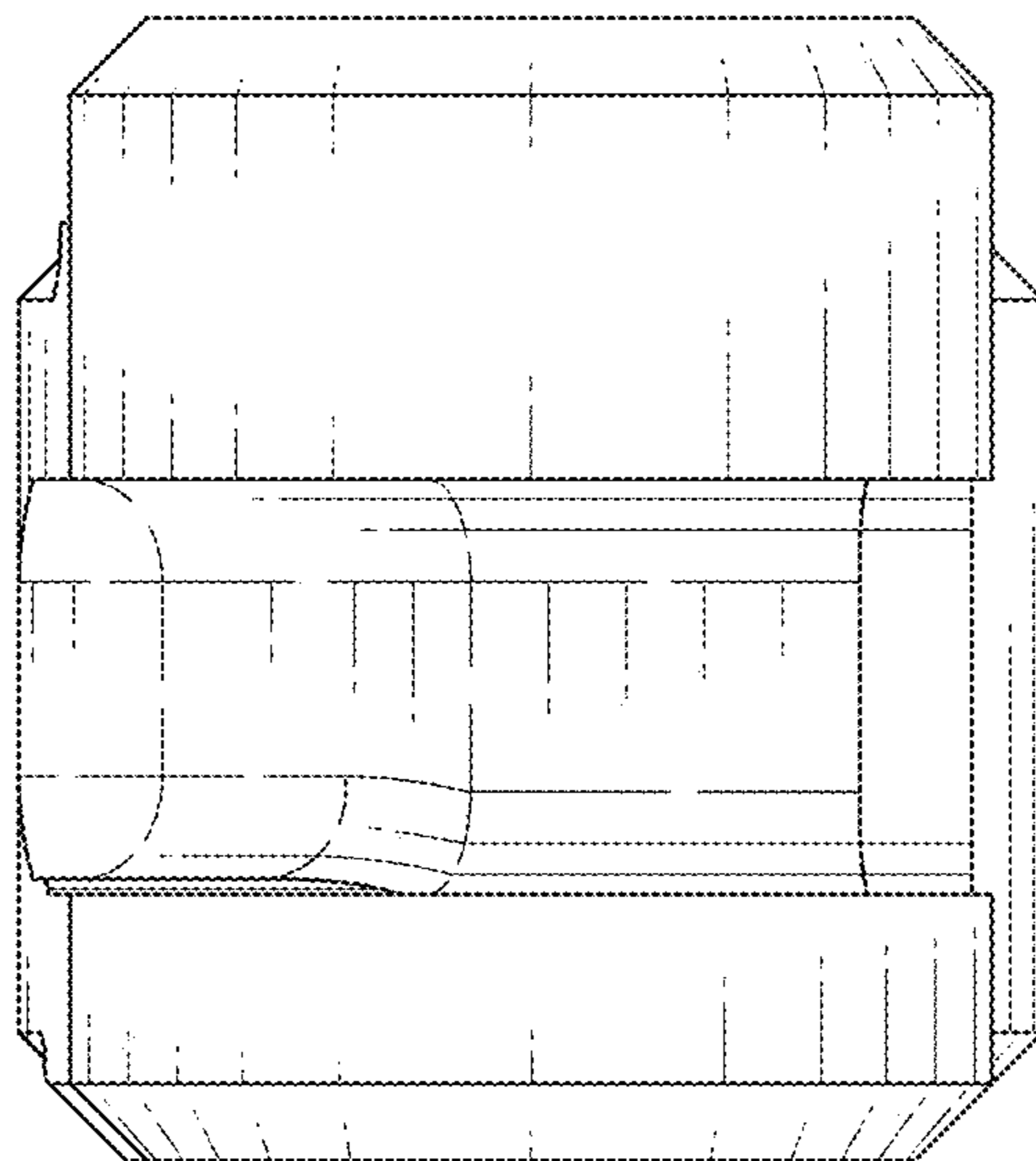


FIG. 10