



US0D1121737S

(12) **United States Design Patent** (10) **Patent No.:** **US D1,121,737 S**  
**Jens Christensen et al.** (45) **Date of Patent:** **\*\* Apr. 7, 2026**

(54) **MODEL VEHICLE WHEELIE BAR**  
(71) Applicant: **TRAXXAS, L.P.**, McKinney, TX (US)  
(72) Inventors: **Casey Christen Jens Christensen**,  
Trenton, TX (US); **Jory Sprowl**, Howe,  
TX (US); **Skylar Hagler**, Anna, TX  
(US); **Randy Perez**, McKinney, TX  
(US); **Terry Soward**, Van Alstyne, TX  
(US); **Otto Karl Allmendinger**,  
Rowlett, TX (US); **Adam Cole Ewing**,  
McKinney, TX (US); **Kent Poteet**,  
Lucas, TX (US)

5,368,323 A 11/1994 Young  
D366,636 S 1/1996 Smith  
D394,033 S \* 5/1998 Pingel ..... D12/114  
6,976,693 B2 12/2005 Alder  
(Continued)

(73) Assignee: **TRAXXAS, L.P.**, McKinney, TX (US)

(\*\*) Term: **15 Years**

(21) Appl. No.: **29/989,481**

(22) Filed: **Feb. 13, 2025**

(51) **LOC (15) Cl.** ..... **21-01**

(52) **U.S. Cl.**  
USPC ..... **D21/561**

(58) **Field of Classification Search**  
USPC ..... D21/484, 495, 561, 562; D12/159, 160,  
D12/161, 169, 172  
CPC ..... A63H 17/00; A63H 17/002; A63H 17/26;  
A63H 17/262; A63H 17/36  
See application file for complete search history.

(56) **References Cited**

**U.S. PATENT DOCUMENTS**

3,997,185 A	12/1976	Parrilla
4,007,949 A	2/1977	Norcia et al.
4,012,054 A	3/1977	Moore
4,108,267 A	8/1978	Valerio
4,154,452 A	5/1979	Newman
4,522,420 A	6/1985	Hannappel
4,772,037 A	9/1988	Jones
4,773,889 A	9/1988	Rosenwinkel et al.
5,242,183 A	9/1993	Oberg et al.
5,330,221 A	7/1994	Sutton

**FOREIGN PATENT DOCUMENTS**

GB 6228968 10/2022

**OTHER PUBLICATIONS**

Traxxas; Wheelie Bar, Overview; Aug. 2011; www.traxxas.com/products/parts/5472.

(Continued)

*Primary Examiner* — Cynthia M. Chin

(74) *Attorney, Agent, or Firm* — Daryl R. Wright; Greg Carr

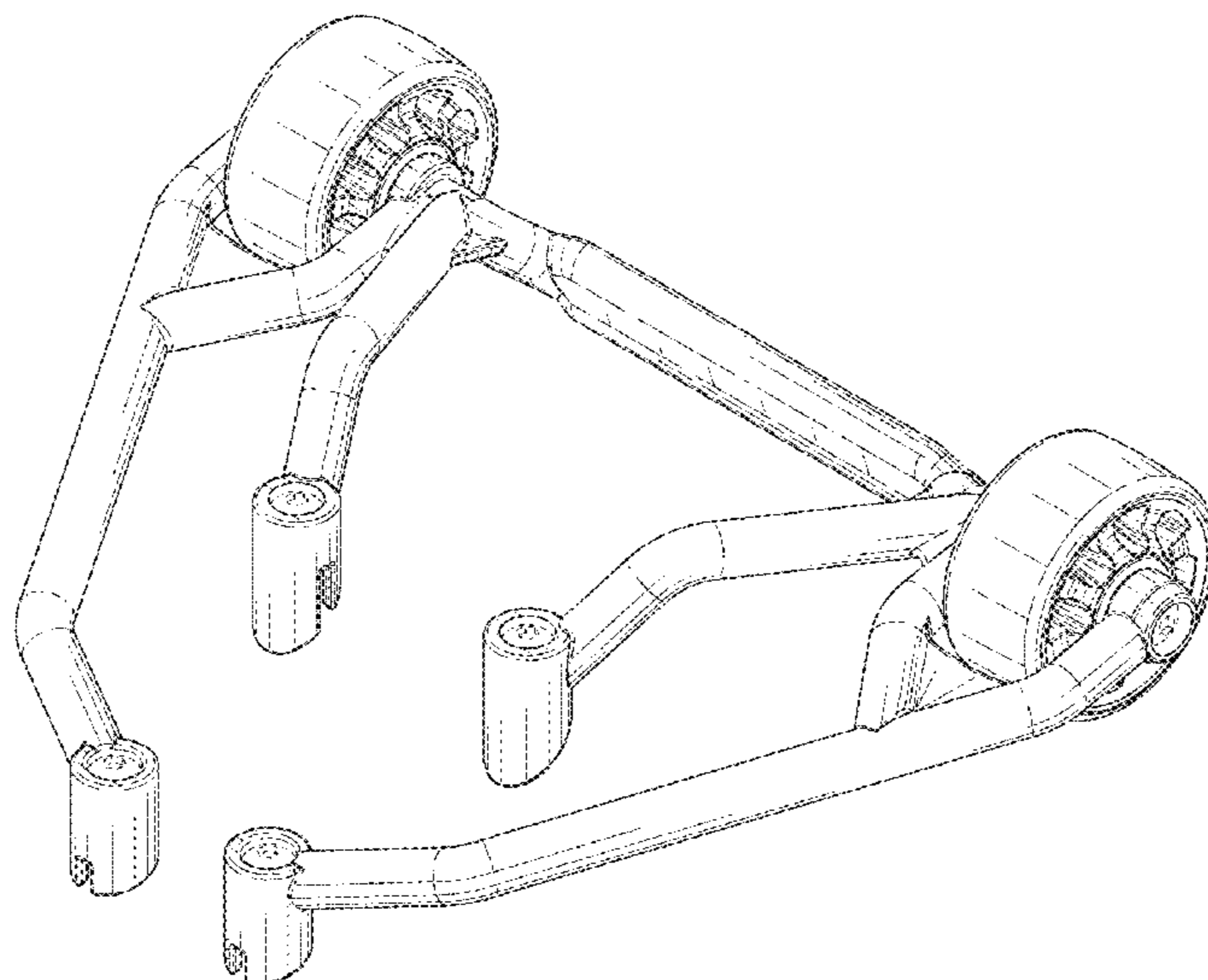
(57) **CLAIM**

The ornamental design for a model vehicle wheelie bar as shown and described.

**DESCRIPTION**

FIG. 1 is an upper, left, front perspective view of a model vehicle wheelie bar showing our new design;  
FIG. 2 is an upper, right, rear perspective view thereof;  
FIG. 3 is a lower, left, rear perspective view thereof;  
FIG. 4 is a lower, right, front perspective view thereof;  
FIG. 5 is a front elevation view thereof;  
FIG. 6 is a rear elevation view thereof;  
FIG. 7 is an upper plan view thereof;  
FIG. 8 is a lower plan view thereof;  
FIG. 9 is a right-side elevation view thereof; and,  
FIG. 10 is a left-side elevation view of a model vehicle wheelie bar.  
In the drawings, the broken lines illustrate portions of the model vehicle wheelie bar that form no part of the claimed design.

**1 Claim, 7 Drawing Sheets**



(56)

References Cited

U.S. PATENT DOCUMENTS

6,994,368	B2	2/2006	Brown	
7,607,693	B2	10/2009	Chavis	
7,819,414	B2	10/2010	Turner	
8,075,011	B1	12/2011	Duzzny	
8,590,909	B2	11/2013	Calvert	
D828,796	S *	9/2018	Allmendinger	D12/171
D960,255	S *	8/2022	Ewing	D21/562
D968,281	S *	11/2022	Hagler	D12/171
D1,013,061	S *	1/2024	Hagler	D21/561
D1,031,863	S *	6/2024	Soward	D21/483
D1,046,702	S *	10/2024	Wood	D12/159
2003/0024752	A1	2/2003	Mayer et al.	
2003/0077979	A1	4/2003	Hoeting et al.	

OTHER PUBLICATIONS

Traxxas 3678 Wheelie Bar Assembly for Traxxas, Apr. 11, 2007, amazon.com, Dec. 15, 2021, URL: <https://www.amazon.com/Traxxas-Wheelie-Assembly-Electric-Vehicles/dp/B000NSW0AW> (Year: 2007).  
 Traxxas 3678X Blue Wheelie Bar, Assembled, Sep. 13, 2012, amazon.com, Dec. 15, 2021, URL: <https://www.amazon.com/Traxxas-3678X-Wheelie-Assembled-Stampede/dp/B009PBU6L8/> (Year: 2012).  
 Traxxas TRA6776 Wheelie Bar, Mar. 28, 2020, amazon.com, Dec. 15, 2021, URL: <https://www.amazon.com/Traxxas-TRA6776-Wheelie-Bar/dp/B07JB95TNK/> (Year: 2020).  
 Traxxas 9462G Side Plates, amazon.co.uk, first available May 28, 2021 [online], [site visited Mar. 7, 2023], Available from internet, URL: <https://www.amazon.co.uk/Traxxas-9462G-Plates-Wheelie-Aluminum/dp/B0989YP4ZJ> (Year: 2021).  
 Traxxas Side plates, wheelie bar, orange, traxxas.com, first crawled on internet archive Oct. 23, 2021 [online], [site visited Mar. 7, 2023], Available from internet, URL: <https://web.archive.org/web/20211023023700/https://traxxas.com/products/parts/9462a> (Year: 2021).

Traxxas Aluminum Wheelie Bar Side Plates (Charcoal Grey), first available Feb. 4, 2022 [online], [site visited Mar. 7, 2023], Available from internet, URL: <https://www.hobbytown.com/traxxas-aluminum-wheelie-bar-side-plates-charcoal-grey-2-tra9462/p1330100> (Year: 2022).  
 9460 Wheelie bar Black Assembled, amazon.com, first available Jul. 7, 2021 [online], [site visited Mar. 7, 2023], Available from internet, URL: <https://www.amazon.com/9460-Wheelie-Black-Assembled-Mount/dp/B09HTB8BF5> (Year: 2021).  
 Traxxas 9460—Wheelie bar, rchobbyshop.com, [online], [site visited Mar. 7, 2023], Available from internet, URL: <https://www.rchobbyshop.com/wheelie-bar-black-assembled-wheelie-bar-mount.html> (Year: 2023).  
 Drag Slash—Wheelie Bar Assembly, jennysrc.com, [online], [site visited Mar. 7, 2023], Available from internet, URL: <https://jennysrc.com/products/drag-slash-wheelie-bar-assemblyw-mount-and-wheels-9460-9461-traxxas-94076-4> (Year: 2023).  
 Traxxas Wheelie Bar Black Chrome 9460X, amazon.com, customer review oldest date May 2, 2022 [online], [site visited Mar. 7, 2023], Available from internet, URL: <https://www.amazon.com/Traxxas-Wheelie-Black-Chrome-9460X/dp/B09N74PF6Y> (Year: 2022).  
 OGRC Aluminim Wheelie Bar Kit, amazon.com, customer review oldest date Aug. 19, 2021 [online], [site visited Mar. 7, 2023], Available from internet, URL: <https://www.amazon.com/GLOBACT-Traxxas-Aluminum-Adjustable-Assembly/dp/B09VD6NCVC> (Year: 2021).  
 Wheelie bar, black (assembled)/ 3x20 CS (8), Traxxas, posted date unknown [online], [retrieved Jul. 23, 24]. Retrieved from internet, <https://traxxas.com/products/parts/9576> (Year: 2024).  
 Traxxas 9576 Black Wheelie Bar for Sledge™, Toys & Games, posted May 18, 2023 [online], [retrieved Jul. 23, 2024]. Retrieved from internet, [https://www.amazon.com/Traxxas-9576-Black-Wheelie-SledgeTM/dp/B0C9FNLKF8/ref=sr\\_1\\_1](https://www.amazon.com/Traxxas-9576-Black-Wheelie-SledgeTM/dp/B0C9FNLKF8/ref=sr_1_1) (Year: 2023).

\* cited by examiner

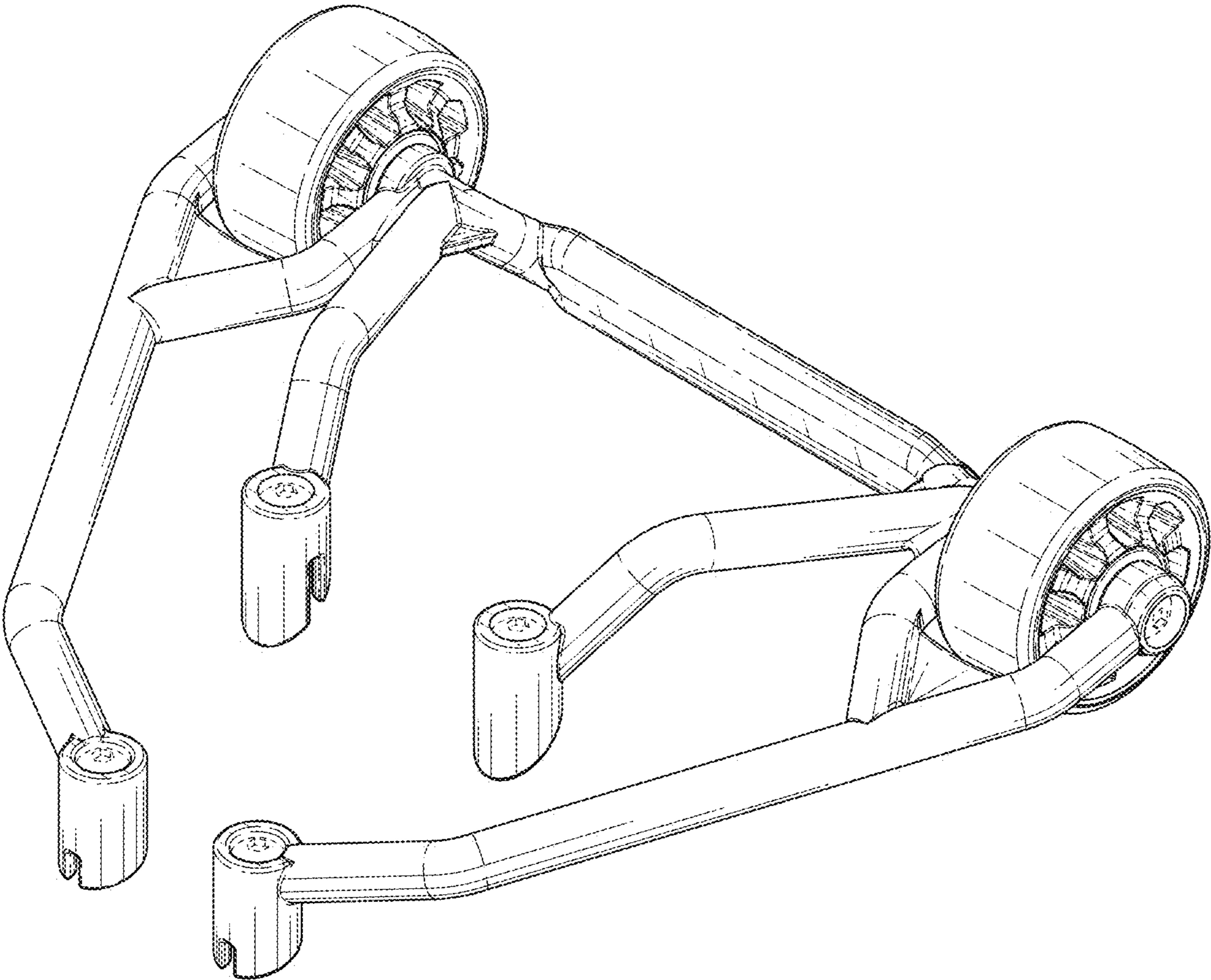


FIG. 1

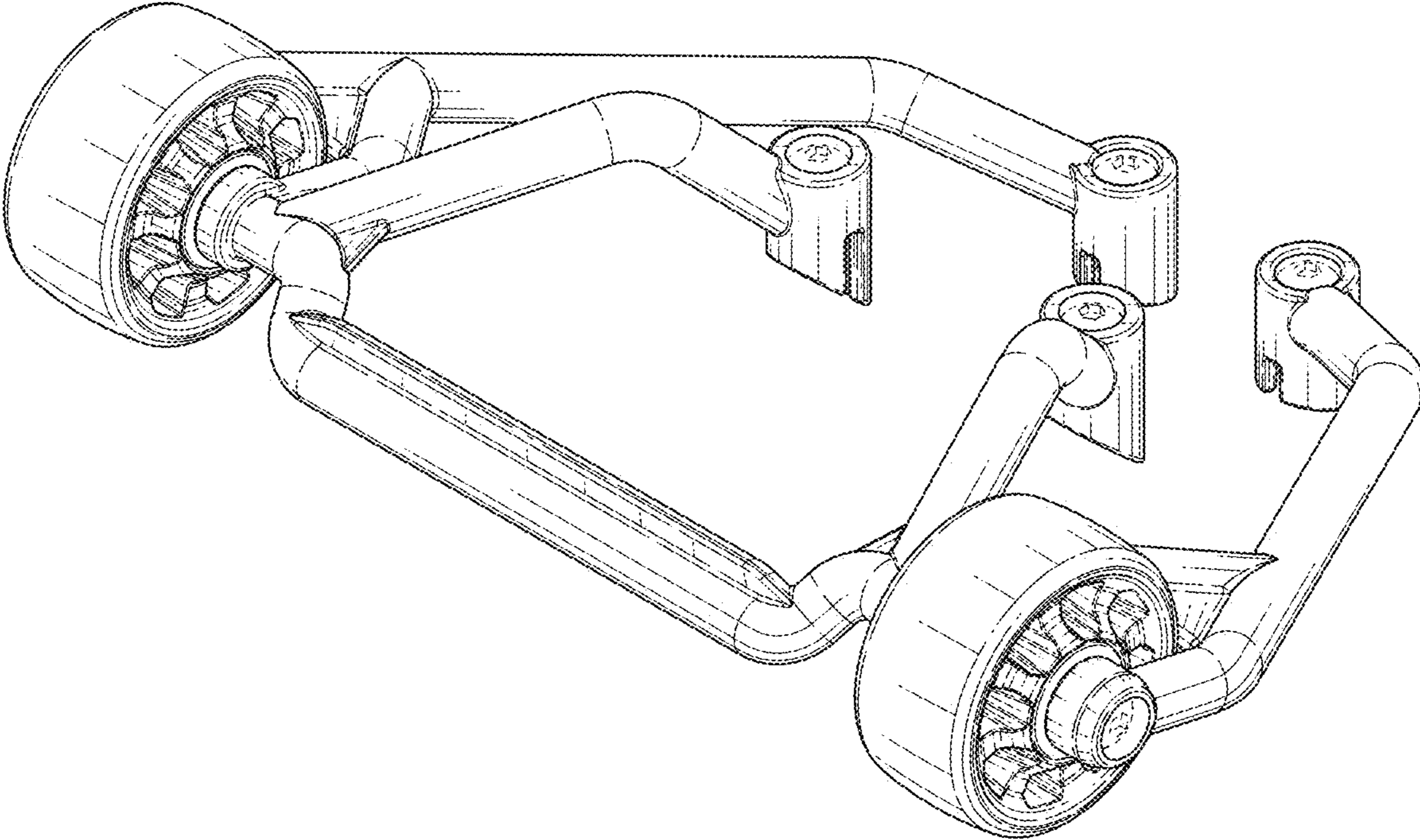


FIG. 2

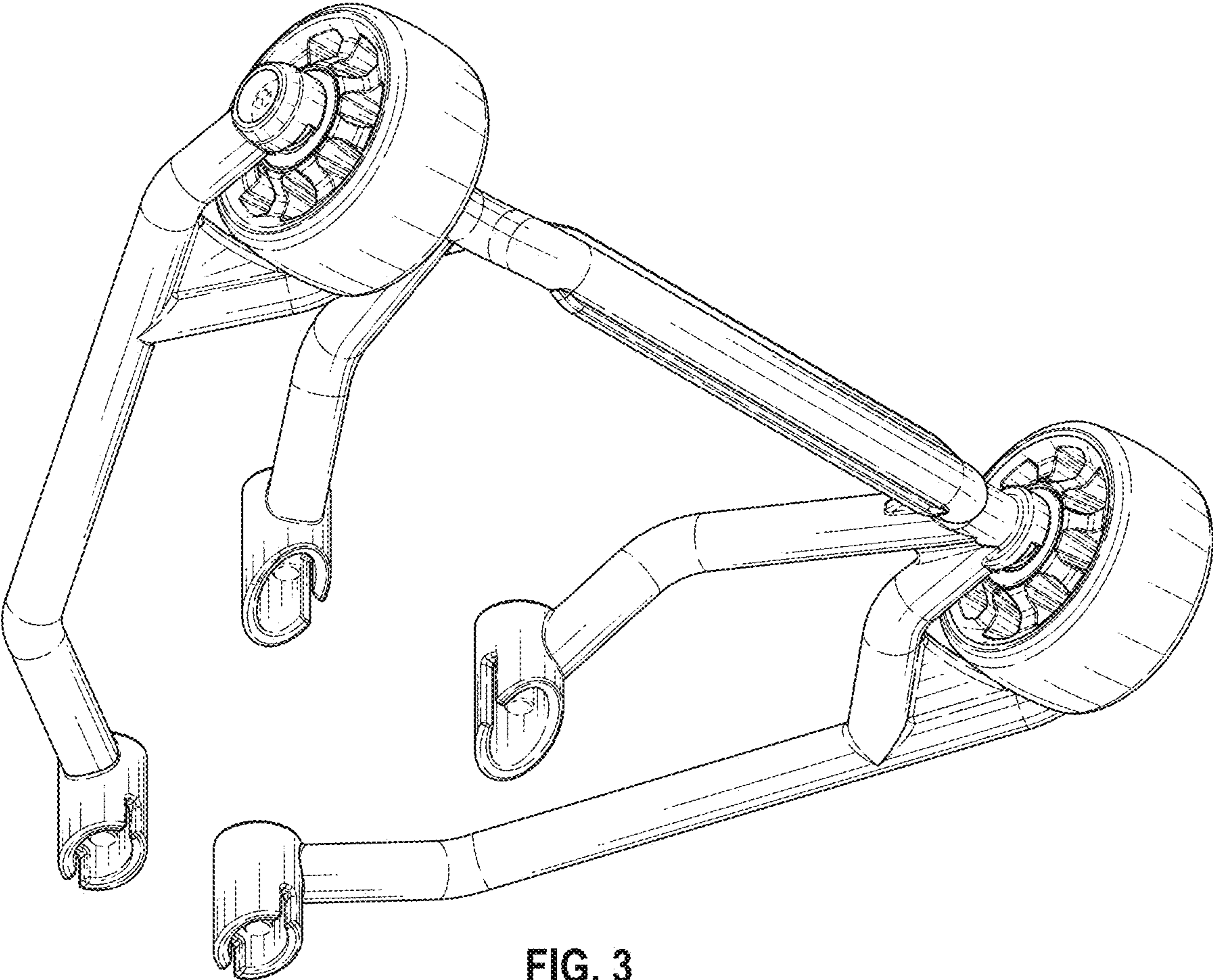


FIG. 3

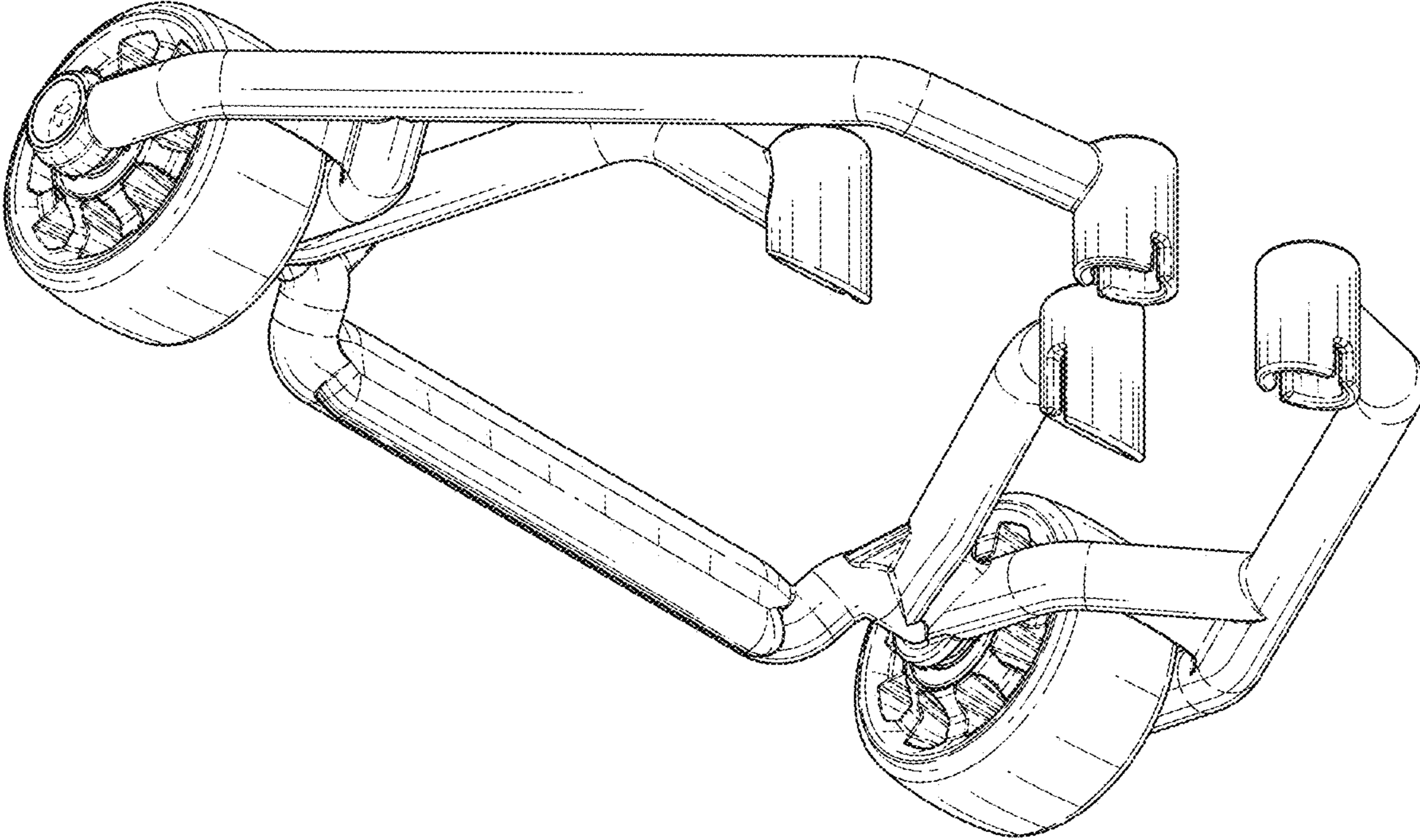


FIG. 4

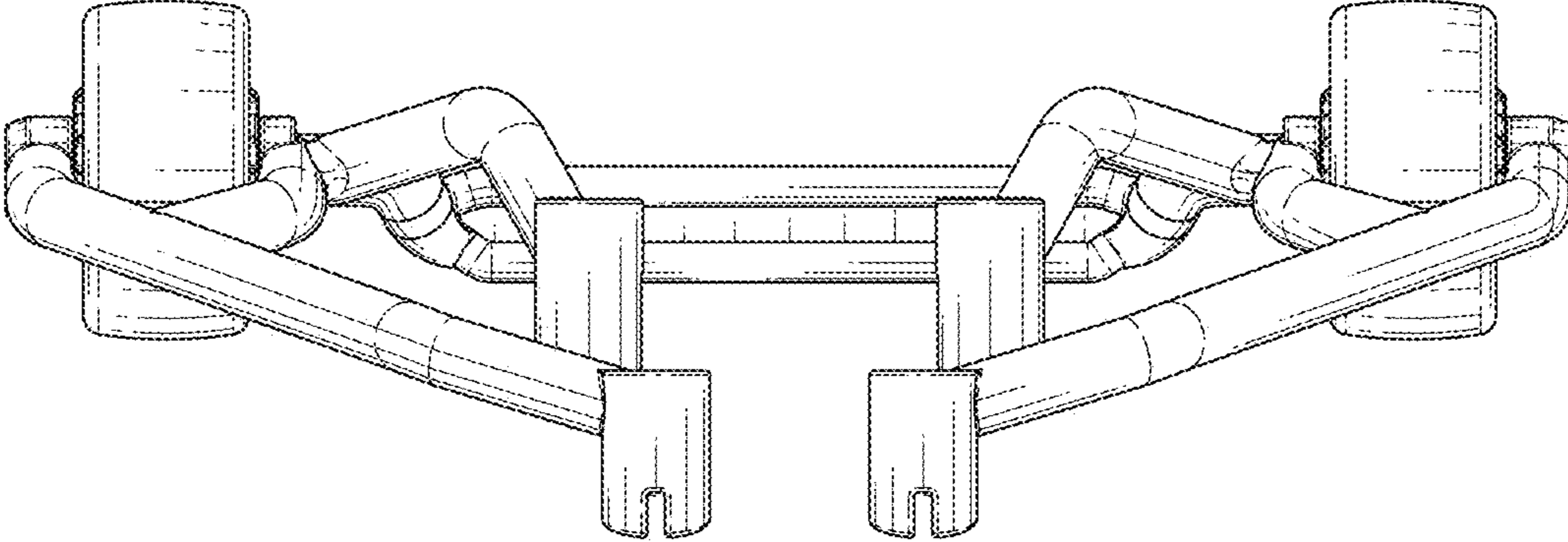


FIG. 5

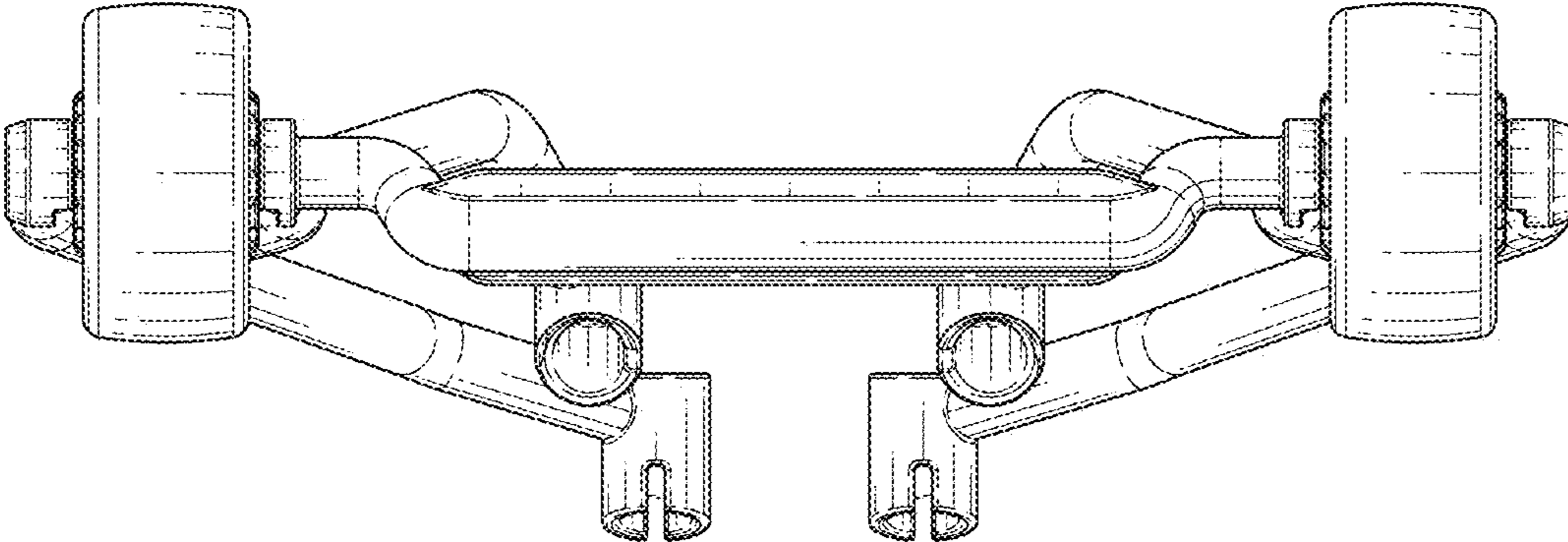


FIG. 6

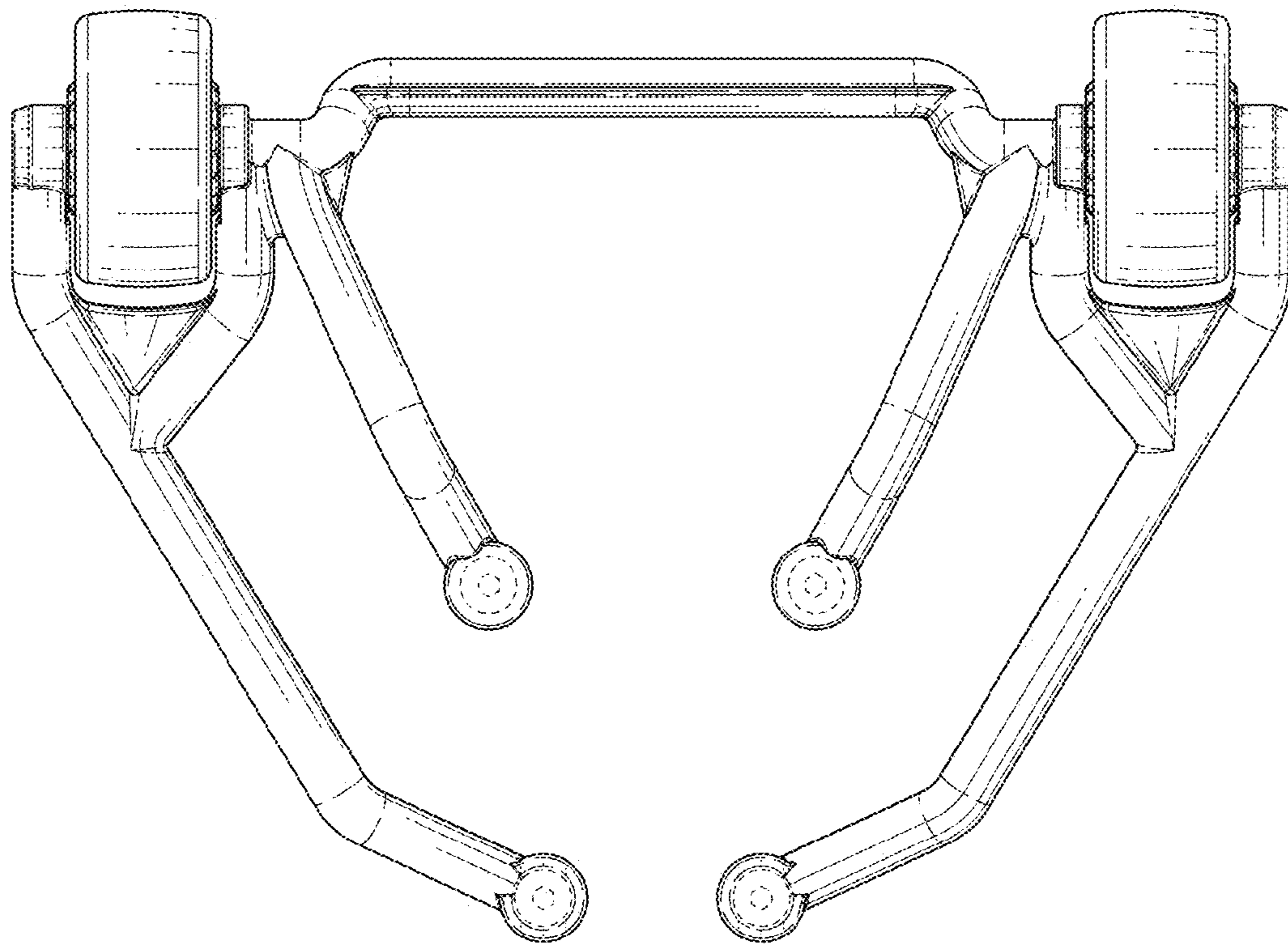


FIG. 7

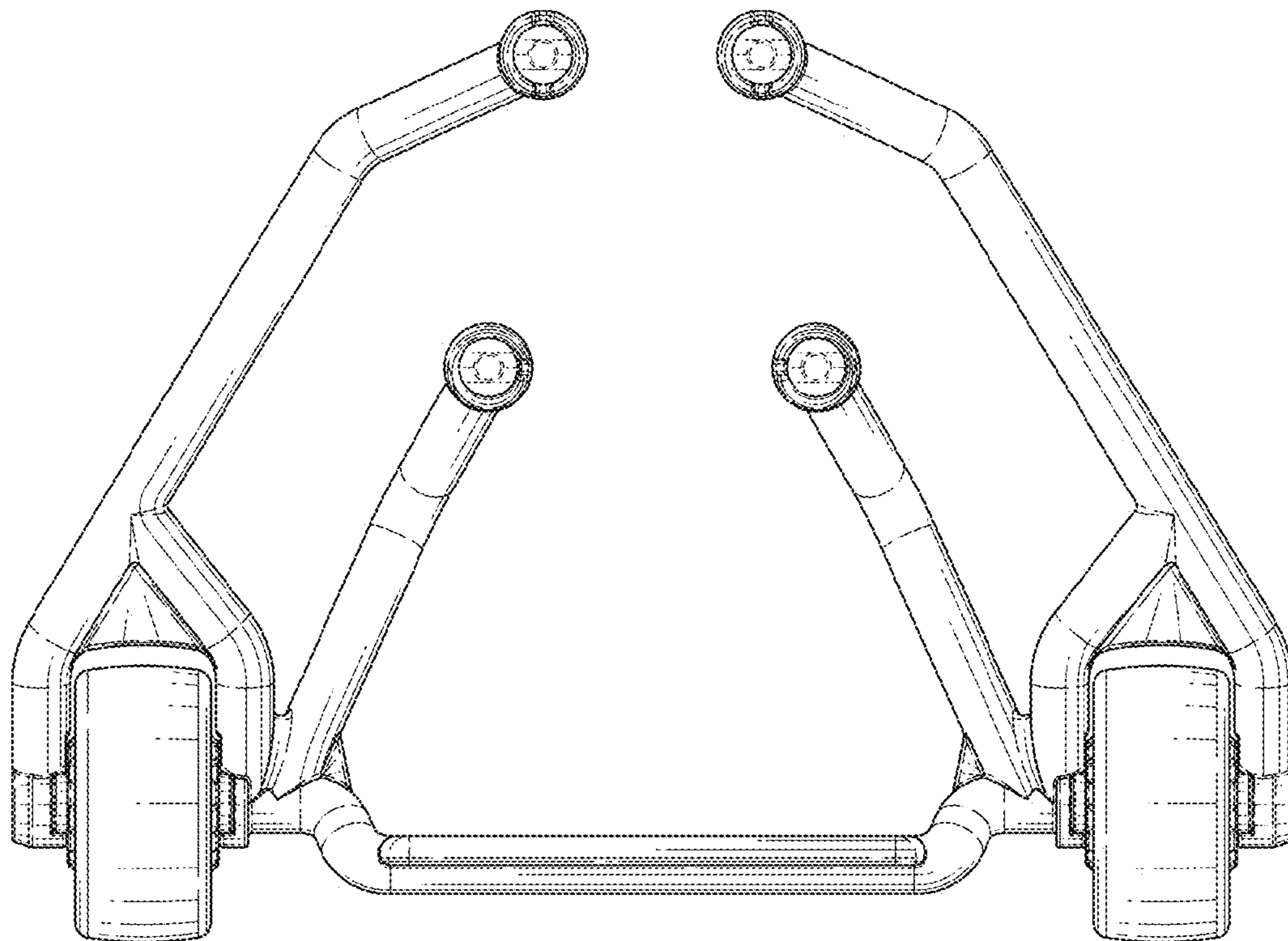


FIG. 8

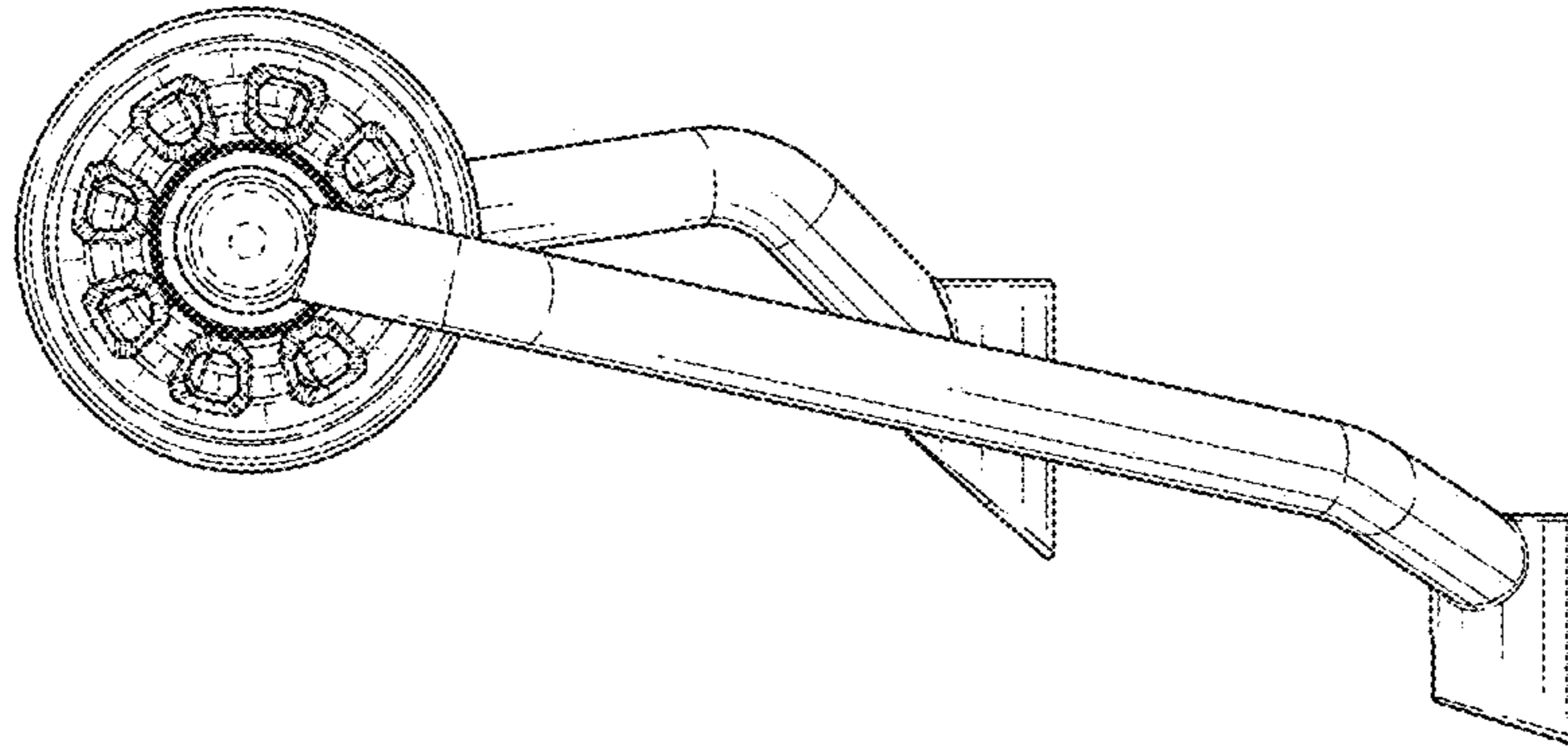


FIG. 9

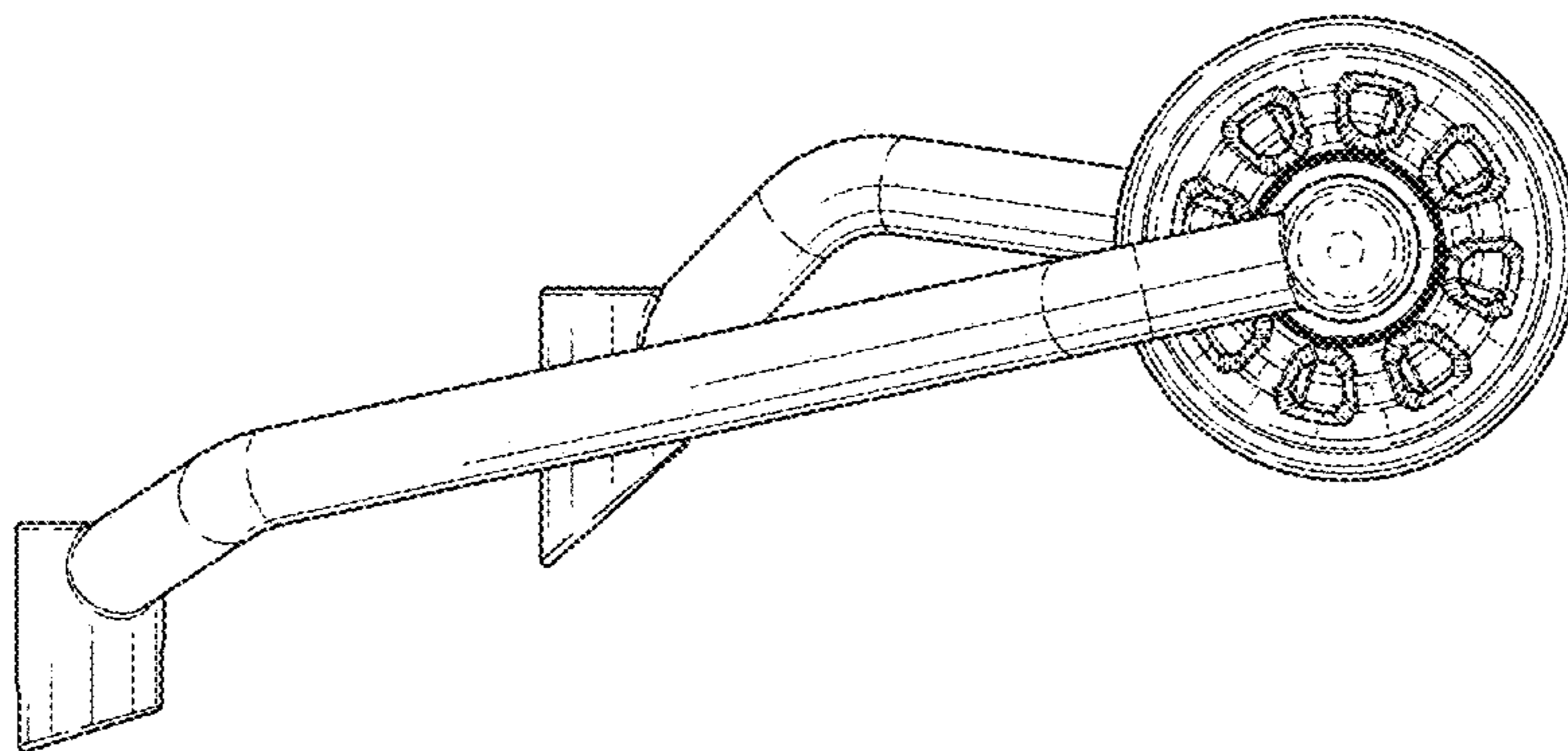


FIG. 10