



US0D1121697S

(12) **United States Design Patent** (10) **Patent No.:** **US D1,121,697 S**  
**Laube et al.** (45) **Date of Patent:** **\*\* \*Apr. 7, 2026**

(54) **VIDEO CAMERA BAR WITH SHUTTER**

(71) Applicant: **Biamp Systems, LLC**, Beaverton, OR (US)

(72) Inventors: **Douglas Laube**, Plano, TX (US); **Rashid Skaf**, Plano, TX (US); **Sean E. Pettiford**, Austin, TX (US); **Mark Gilson**, Austin, TX (US); **Kevin Scott Hodge**, Allen, TX (US)

(73) Assignee: **Biamp Systems, LLC**, Beaverton, OR (US)

(\*) Notice: This patent is subject to a terminal disclaimer.

(\*\*) Term: **15 Years**

(21) Appl. No.: **29/835,872**

(22) Filed: **Apr. 22, 2022**

(30) **Foreign Application Priority Data**

Oct. 22, 2021 (CN) ..... 202130694749.1

(51) **LOC (15) Cl.** ..... **16-01**

(52) **U.S. Cl.**  
USPC ..... **D16/202**

(58) **Field of Classification Search**  
USPC ..... D16/200, 202-203, 207, 208, 218, 219;  
D14/125, 130

CPC ..... G03B 17/02; G03B 19/04; G03B 17/56;  
G03B 17/04; G03B 15/03; H04N 23/50;  
H04N 23/51; H04N 23/54; H04N 23/55;  
H04N 23/62; H04N 23/63; H04N 7/181;  
H04N 7/183; H04N 7/18

See application file for complete search history.

(56) **References Cited**

**U.S. PATENT DOCUMENTS**

D872,158 S \* 1/2020 Bytyqi ..... D16/202  
D924,299 S \* 7/2021 Gartrell ..... D16/202

D924,959 S \* 7/2021 Gartrell ..... D16/202  
D938,380 S \* 12/2021 Wang ..... D16/208  
D940,776 S \* 1/2022 Gartrell ..... D16/202  
D940,777 S \* 1/2022 Gartrell ..... D16/202  
D951,322 S \* 5/2022 Mao ..... D16/202  
D951,326 S \* 5/2022 Sponring ..... D16/202  
D986,307 S \* 5/2023 Paterson ..... D16/202  
D987,591 S \* 5/2023 Li ..... D16/202  
D1,013,013 S \* 1/2024 Zhan ..... D14/125

(Continued)

*Primary Examiner* — Ramzi Almatrahi

(57) **CLAIM**

The ornamental design for a video camera bar with shutter, as shown and described.

**DESCRIPTION**

FIG. 1 is a front view of a first embodiment of a video camera bar with shutter, shown with the shutter in an open position.

FIG. 2 is a front view thereof, shown with the shutter in a closed position.

FIG. 3 is a rear view thereof.

FIG. 4 is a left side view thereof.

FIG. 5 is a right side view thereof.

FIG. 6 is a top view thereof.

FIG. 7 is a bottom view thereof.

FIG. 8 is a front view of a second embodiment of a video camera bar with shutter, shown with the shutter in an open position.

FIG. 9 is a front view thereof, shown with the shutter in a closed position.

FIG. 10 is a rear view thereof.

FIG. 11 is a left side view thereof.

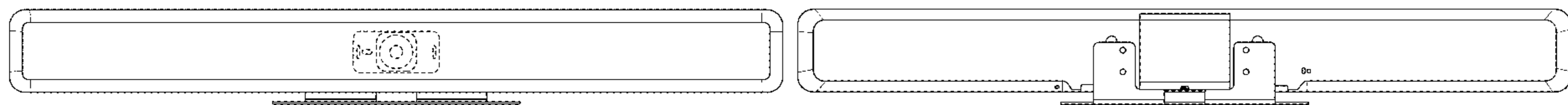
FIG. 12 is a right side view thereof.

FIG. 13 is a top view thereof; and,

FIG. 14 is a bottom view thereof.

The broken lines illustrate structures or features that do not form part of the claimed design.

**1 Claim, 14 Drawing Sheets**



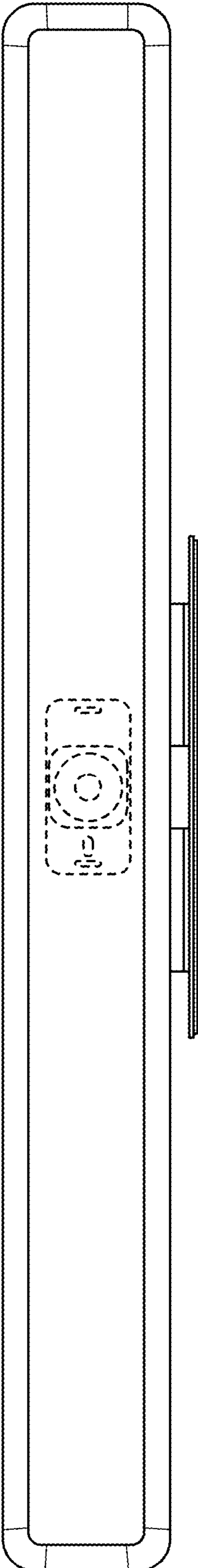
(56)

**References Cited**

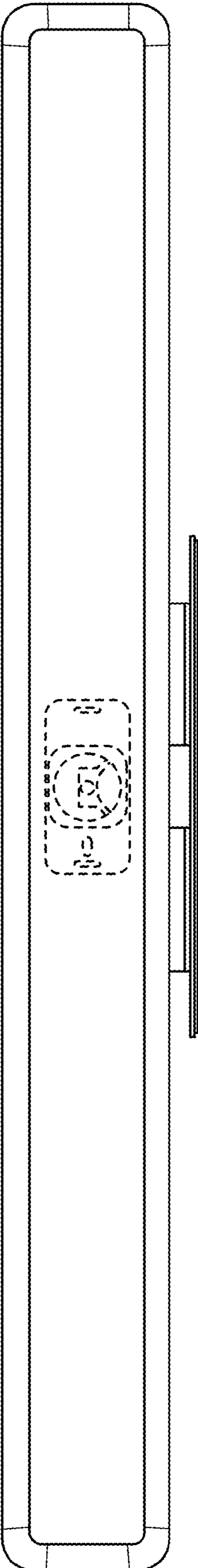
U.S. PATENT DOCUMENTS

D1,019,731 S \* 3/2024 Cheng ..... D16/202  
D1,050,220 S \* 11/2024 Deng ..... D16/202

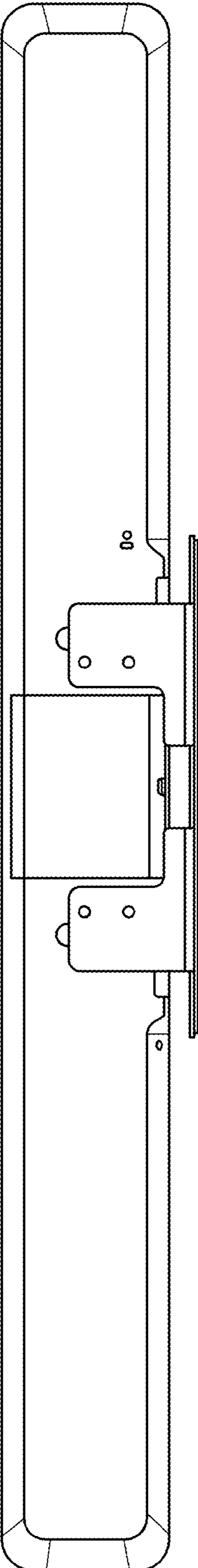
\* cited by examiner



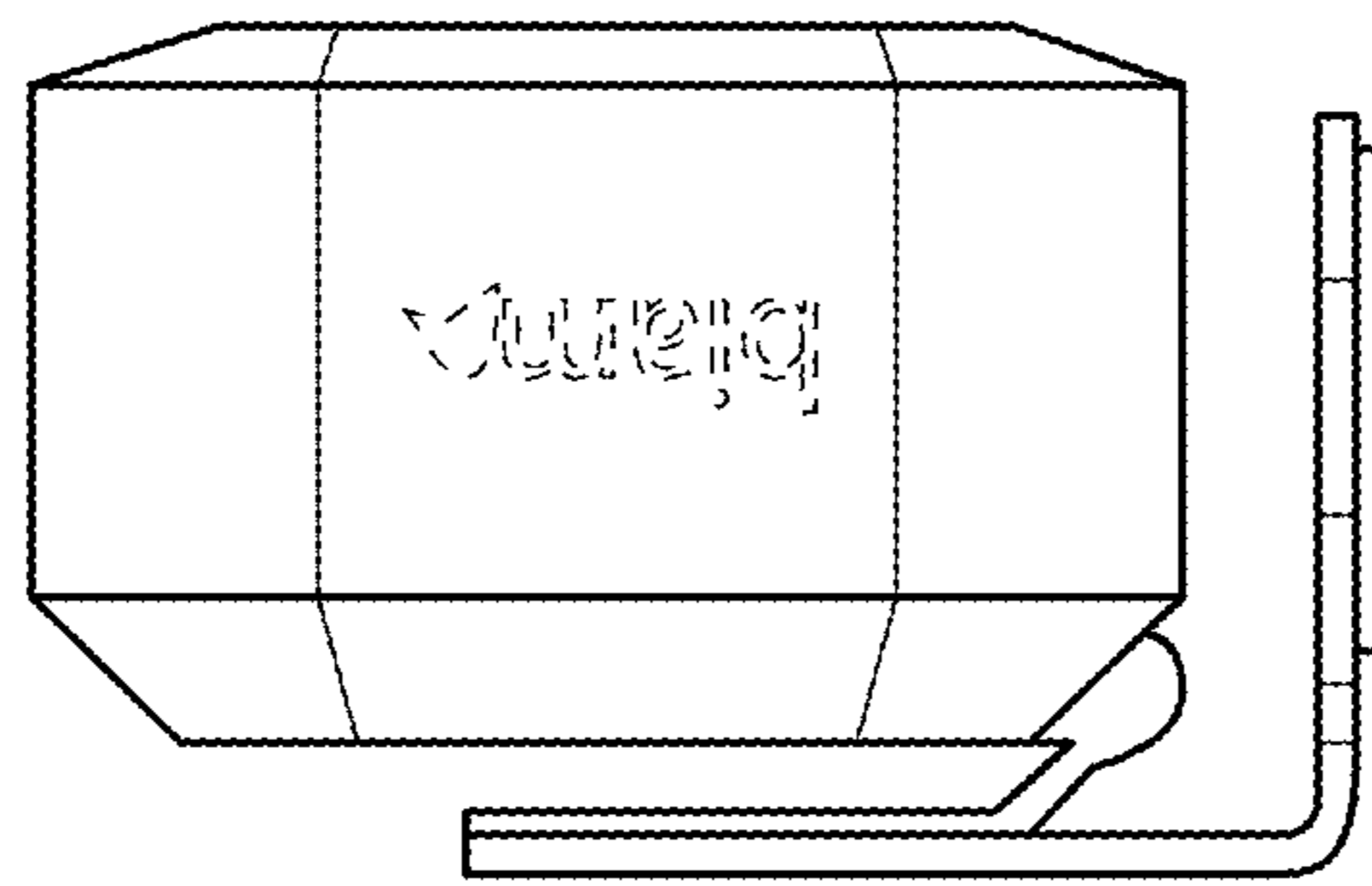
**FIG. 1**



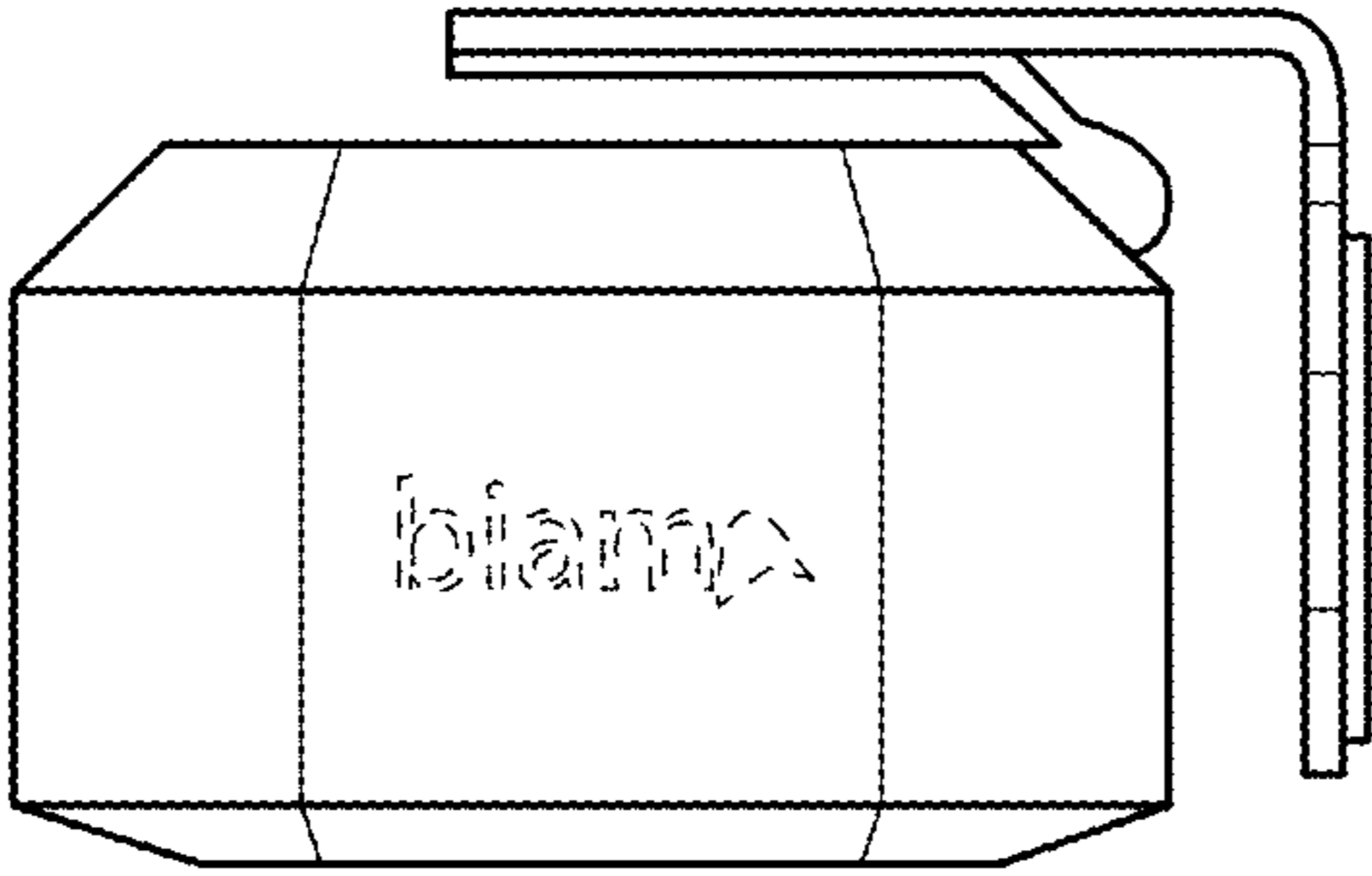
**FIG. 2**



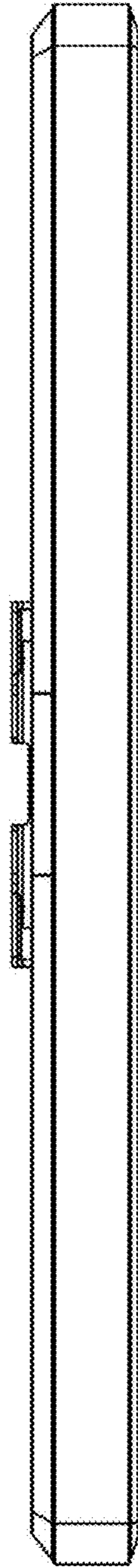
**FIG. 3**



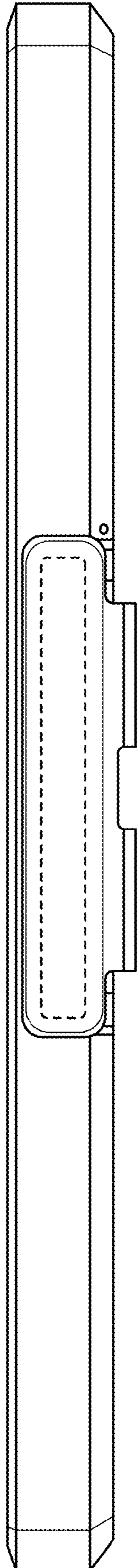
**FIG. 4**



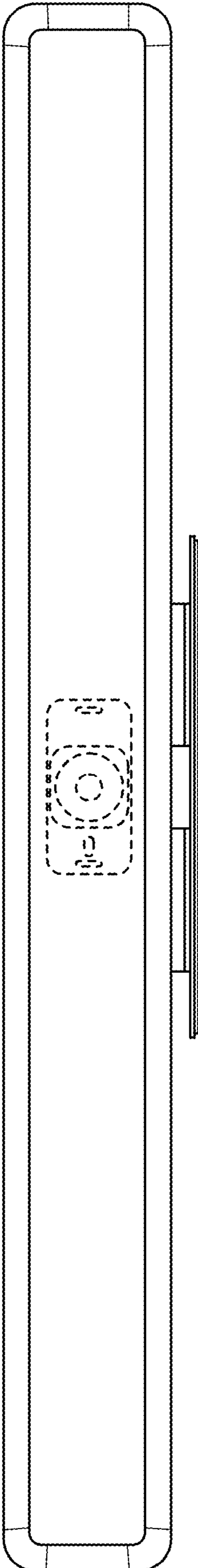
**FIG. 5**



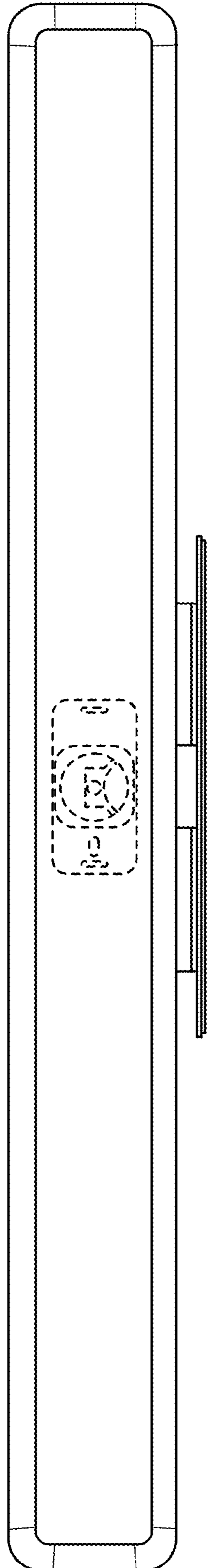
**FIG. 6**



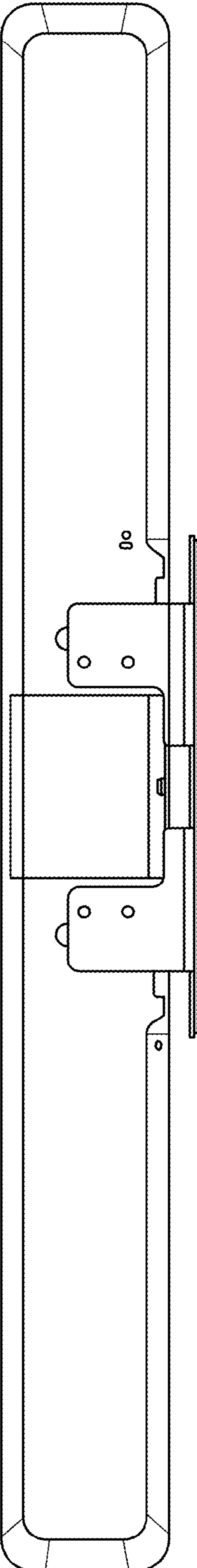
**FIG. 7**



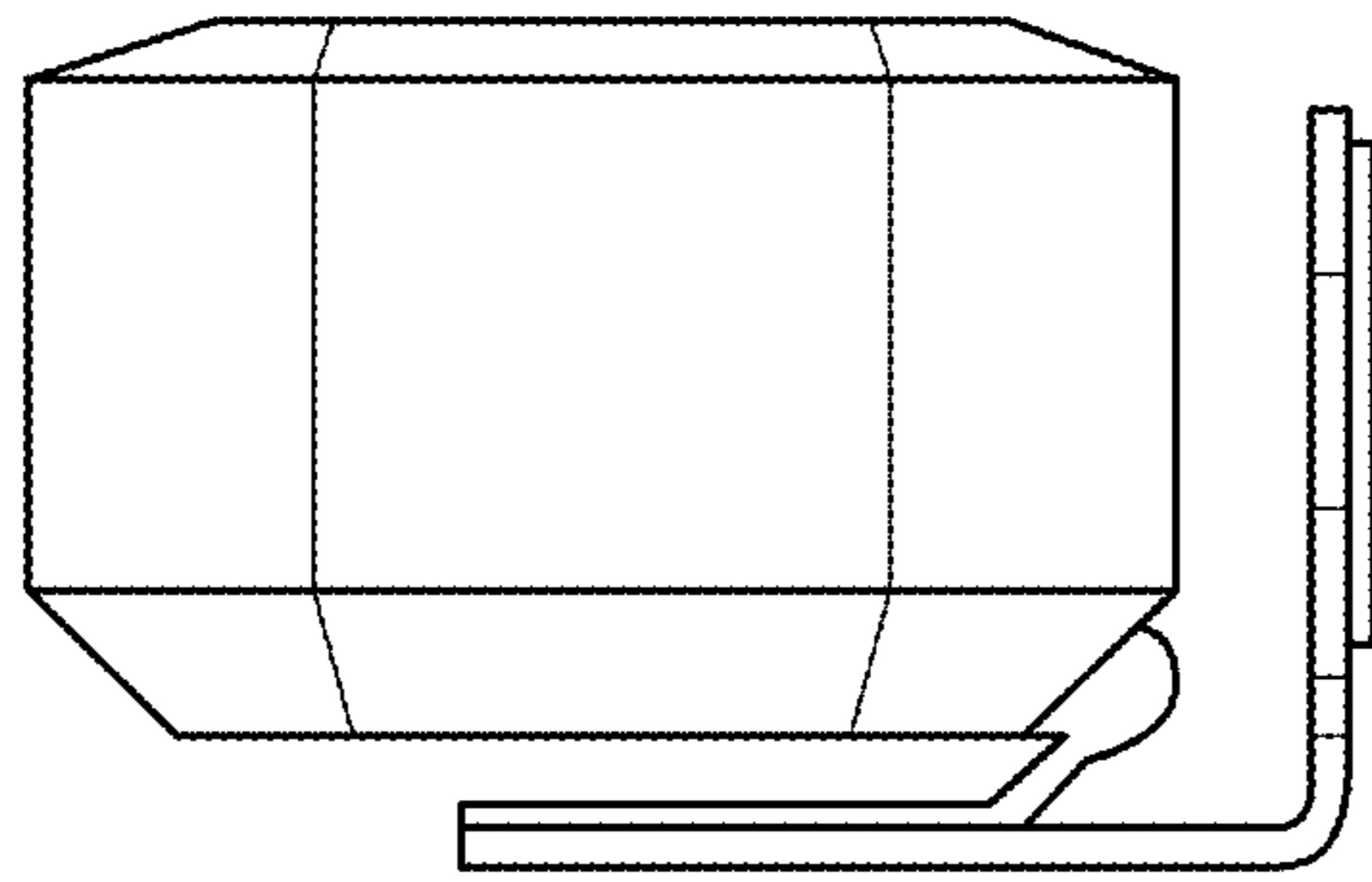
**FIG. 8**



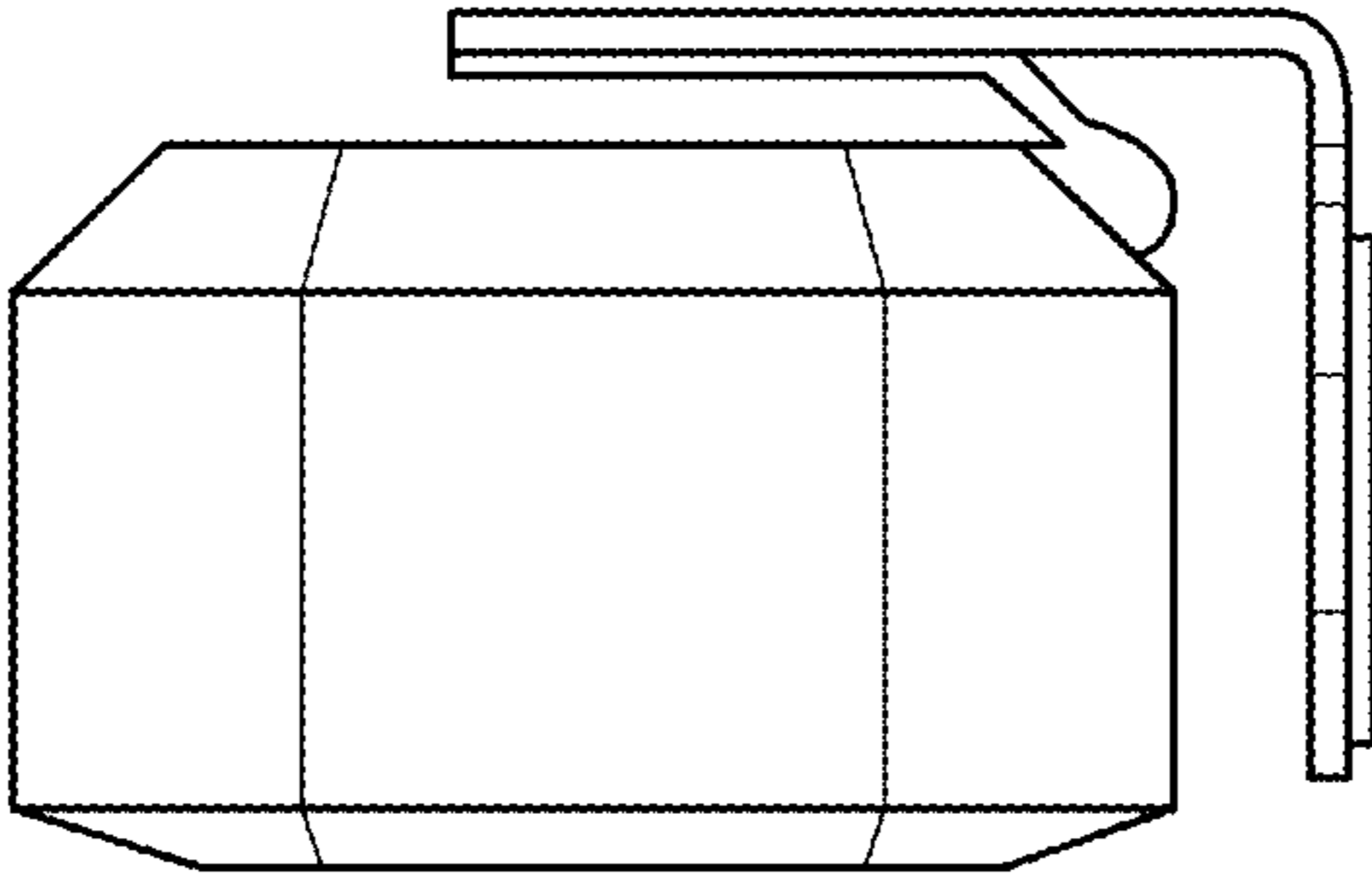
**FIG. 9**



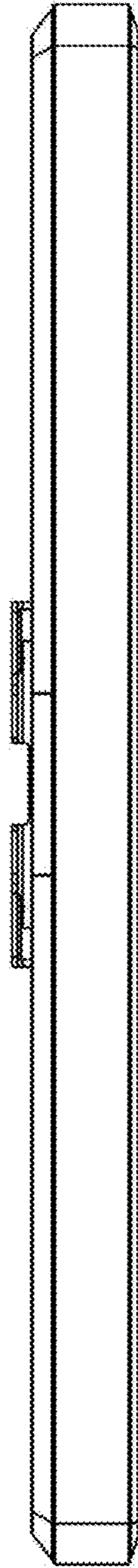
**FIG. 10**



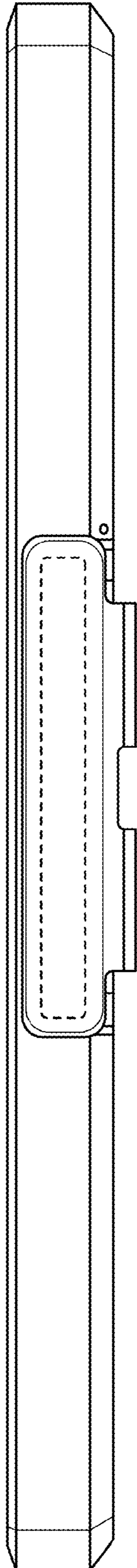
**FIG. 11**



**FIG. 12**



**FIG. 13**



**FIG. 14**