



US0D1121413S

(12) **United States Design Patent** (10) **Patent No.:** **US D1,121,413 S**
Douglas (45) **Date of Patent:** **** Apr. 7, 2026**

(54) **HANDLE APPLIED TO CUTTING IMPLEMENT, SUCH AS KNIFE**

7,900,363 B1 3/2011 White
7,941,927 B1 5/2011 Demko
D677,551 S * 3/2013 Pelton B26B 1/00
D8/99

(71) Applicant: **Good Sportsman Marketing, LLC,**
Irving, TX (US)

(Continued)

(72) Inventor: **Dillon Douglas,** Henderson, NV (US)

FOREIGN PATENT DOCUMENTS

(73) Assignee: **Good Sportsman Marketing, LLC,**
Irving, TX (US)

CN 309145820 * 3/2025

(**) Term: **15 Years**

OTHER PUBLICATIONS

(21) Appl. No.: **29/953,420**

Instagram, coldsteelknives, May 30, 2024, Cold Steel Knives and Tools (@coldsteelknives) (Year: 2024).*

(22) Filed: **Jul. 22, 2024**

(Continued)

(51) **LOC (15) Cl.** **08-03**

Primary Examiner — Calvin E Vansant

(52) **U.S. Cl.**

Assistant Examiner — Olivia H Aldin

USPC **D8/99**

(74) *Attorney, Agent, or Firm* — Cabello Hall Zinda, PLLC

(58) **Field of Classification Search**

USPC D8/20, 60, 65, 70, 99, 100, 105;
D22/115, 118

CPC B26B 3/00; B26B 1/04; B26B 5/00; B26B
1/10; B26B 29/025; B26B 3/06; B26B
29/02

(57) **CLAIM**

The ornamental design for a handle applied to cutting implement, such as knife, as shown and described.

See application file for complete search history.

DESCRIPTION

(56) **References Cited**

U.S. PATENT DOCUMENTS

- 3,488,843 A 1/1970 Tims, Jr.
- 4,451,982 A 6/1984 Collins
- D304,798 S 11/1989 Thompson
- D377,744 S * 2/1997 Hasegawa D8/99
- 5,737,841 A 4/1998 McHenry et al.
- 6,058,611 A 5/2000 Rickard
- 6,145,202 A 11/2000 Onion
- 6,574,868 B1 6/2003 Overholt
- 6,751,868 B2 6/2004 Glesser
- 7,059,053 B2 6/2006 Sakai
- 7,340,837 B1 3/2008 Busse
- 7,469,476 B2 12/2008 Demko
- 7,676,930 B1 3/2010 Demko

This application is filed concurrently with design application Ser. No. 29/953,411 entitled "Cutting Implement, Such as Knife, and Handle Applied Thereto," which is incorporated herein by reference in its entirety.

FIG. 1 is a perspective view of a handle applied to cutting implement, such as knife, showing my new design;

FIG. 2 is a front view thereof;

FIG. 3 is a back view thereof;

FIG. 4 is a left view thereof;

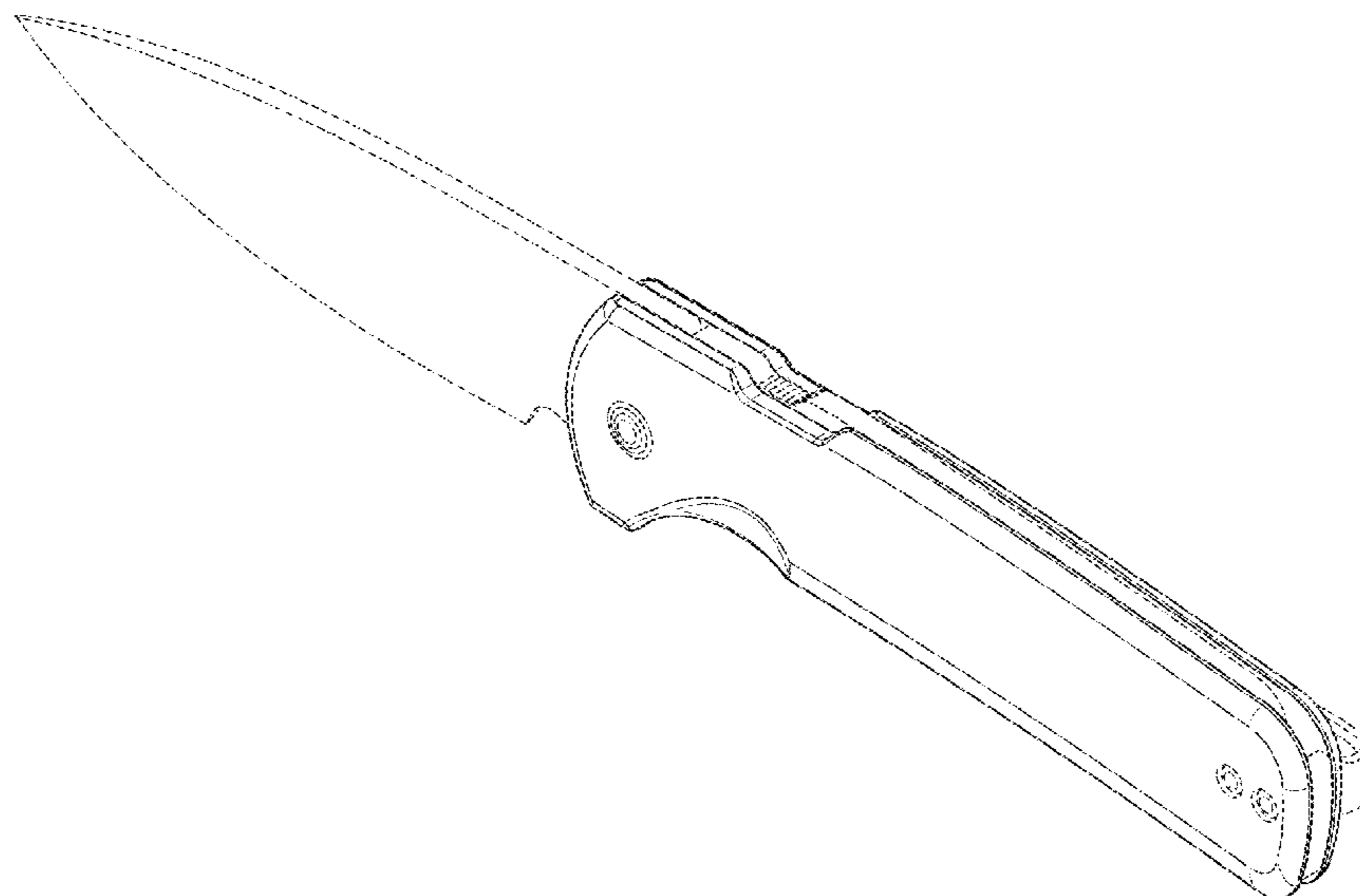
FIG. 5 is a right view thereof;

FIG. 6 is a top view thereof; and,

FIG. 7 is a bottom view thereof.

The broken lines are for illustrative purposes only and form no part of the claimed design.

1 Claim, 3 Drawing Sheets



(56)

References Cited

U.S. PATENT DOCUMENTS

D697,780 S * 1/2014 Pelton D8/99
 D728,339 S 5/2015 Bloch
 D751,882 S 3/2016 Bloch
 9,687,987 B2 6/2017 Bloch et al.
 9,751,221 B1 9/2017 Aylsworth
 9,751,222 B2 9/2017 Kao
 D806,498 S 1/2018 Bloch
 D806,499 S 1/2018 Bloch
 D816,457 S 5/2018 Demko
 10,160,122 B2 12/2018 Busse
 10,307,916 B2 6/2019 Hinderer
 D869,254 S 12/2019 Bloch
 10,493,641 B2 12/2019 Bloch
 10,518,425 B2 12/2019 Bloch et al.
 10,632,632 B1 4/2020 Demko
 10,792,823 B2 10/2020 Busse
 11,084,177 B2 8/2021 Bloch et al.
 11,130,246 B2 9/2021 Busse
 11,220,013 B1 1/2022 Valerio
 11,298,837 B2 4/2022 Hangartner
 11,305,440 B2 4/2022 Demko
 D983,007 S * 4/2023 Boucard D8/99
 D1,030,439 S * 6/2024 Marfione D8/99
 D1,036,222 S * 7/2024 Dong D8/99

D1,047,652 S * 10/2024 Hoover D8/99
 D1,070,553 S * 4/2025 Cochran D8/99
 D1,070,554 S * 4/2025 Cochran D8/99
 D1,080,350 S * 6/2025 Rucci D8/99
 2007/0169353 A1 7/2007 Wu
 2008/0040931 A1 2/2008 Demko
 2010/0192381 A1 8/2010 Sakai
 2010/0299935 A1 12/2010 Ping
 2011/0167647 A1 7/2011 Gringer et al.
 2014/0216605 A1 8/2014 Batty
 2015/0239134 A1 8/2015 Duey
 2016/0121493 A1 5/2016 Ikoma
 2016/0354936 A1 12/2016 Busse
 2020/0230830 A1 7/2020 Demko et al.
 2020/0230831 A1 7/2020 Demko et al.
 2022/0079327 A1* 3/2022 Bruhns B26B 1/02
 2022/0297322 A1 9/2022 Douglas
 2022/0410415 A1 12/2022 Douglas et al.
 2023/0405852 A1 12/2023 Douglas et al.

OTHER PUBLICATIONS

Amazon, Cold Steel 3.5" Full Metal Atlas—Satin, Sep. 11, 2024,
<https://www.amazon.com/Cold-Steel-FULL-METAL-ATLAS/dp/B0DGR1DX3C> (Year: 2024).*

* cited by examiner

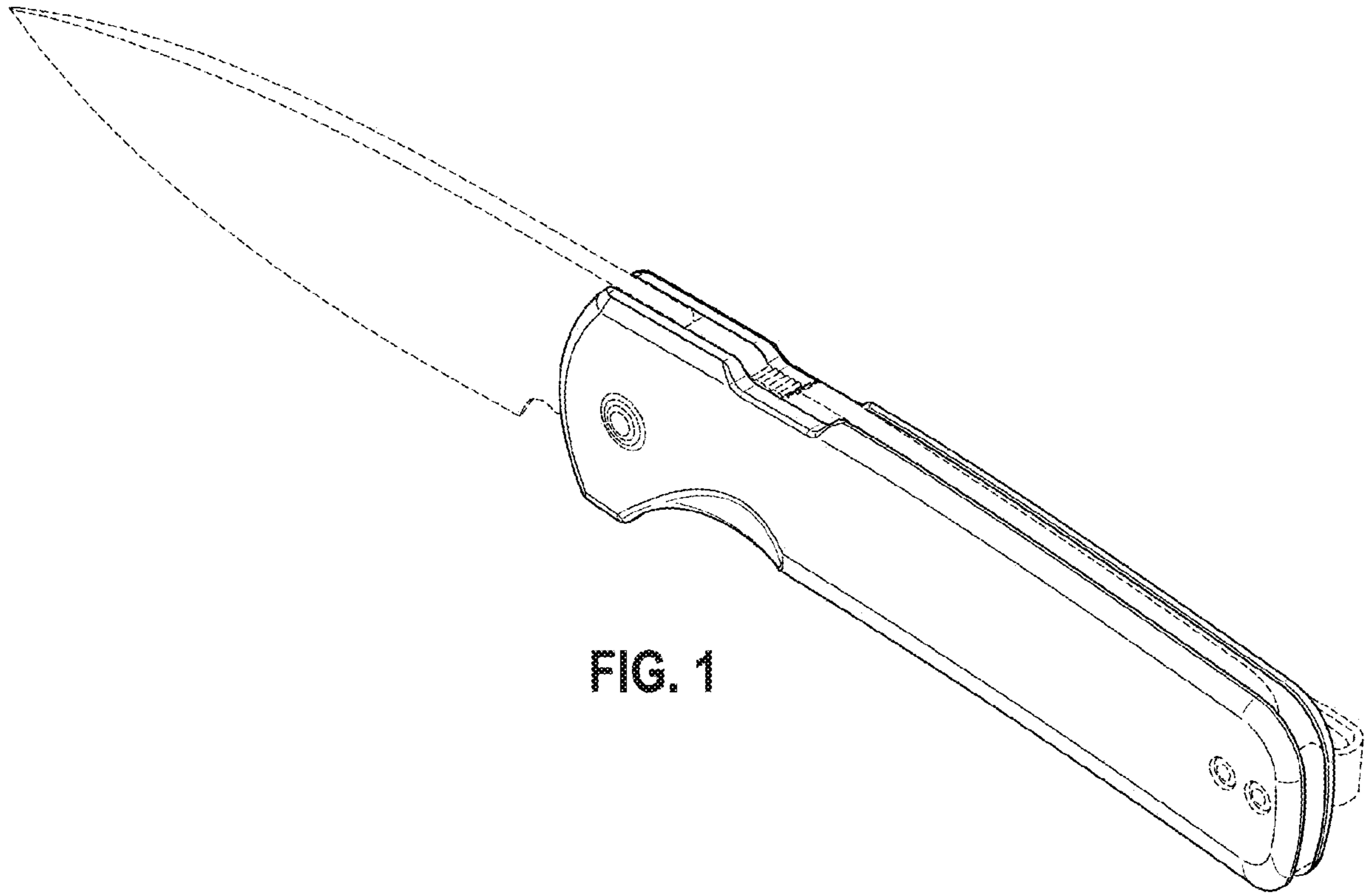


FIG. 1

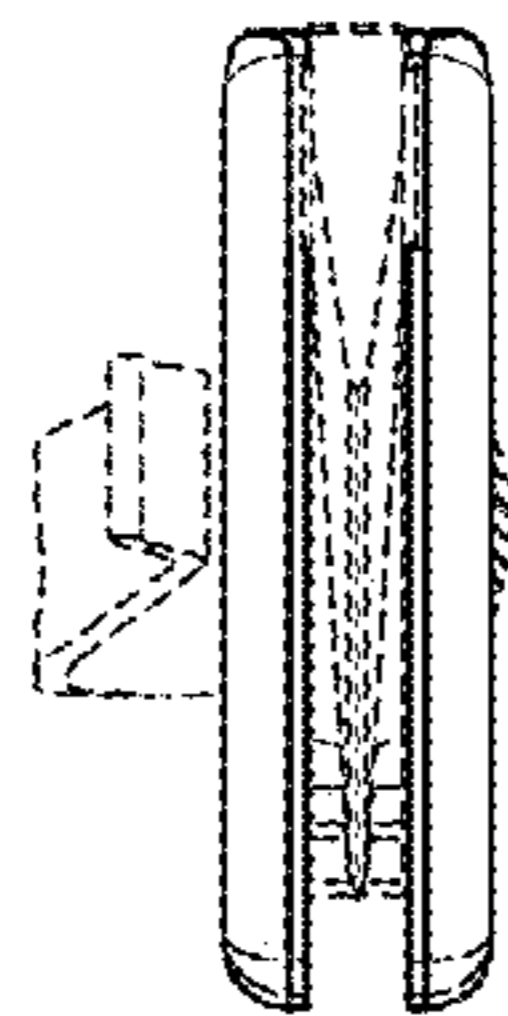


FIG. 2

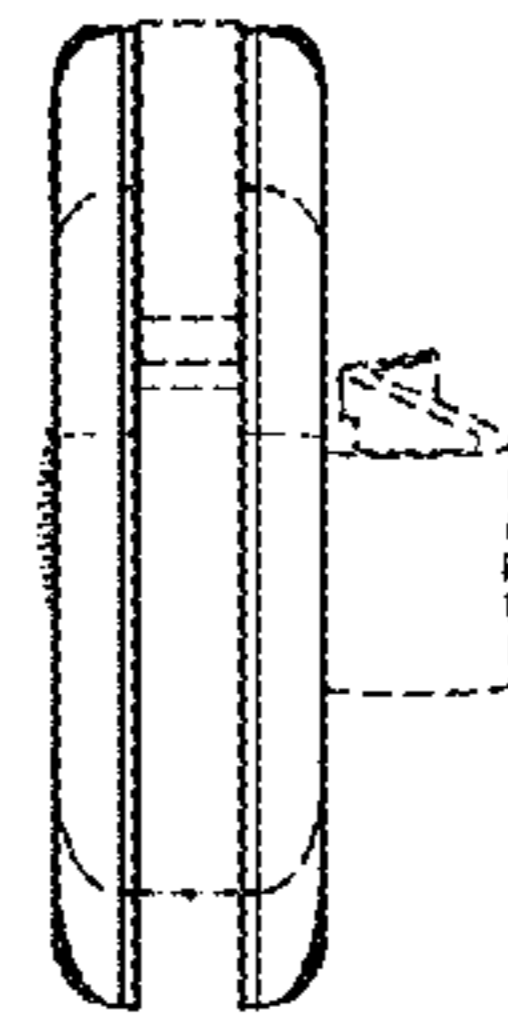


FIG. 3

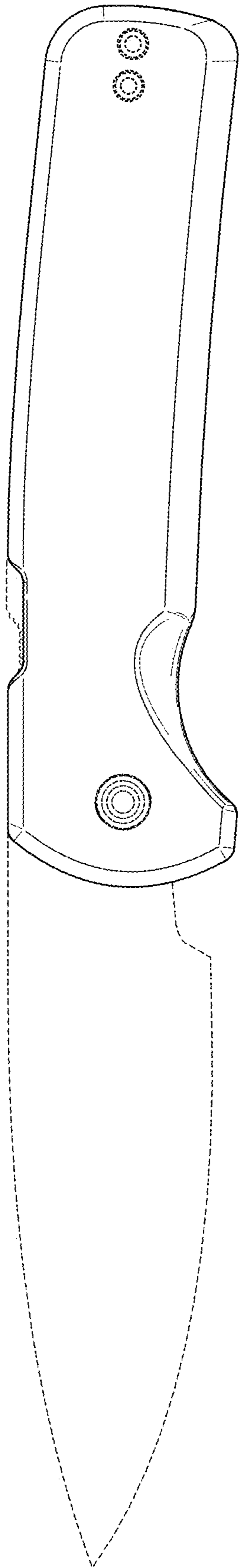


FIG. 4

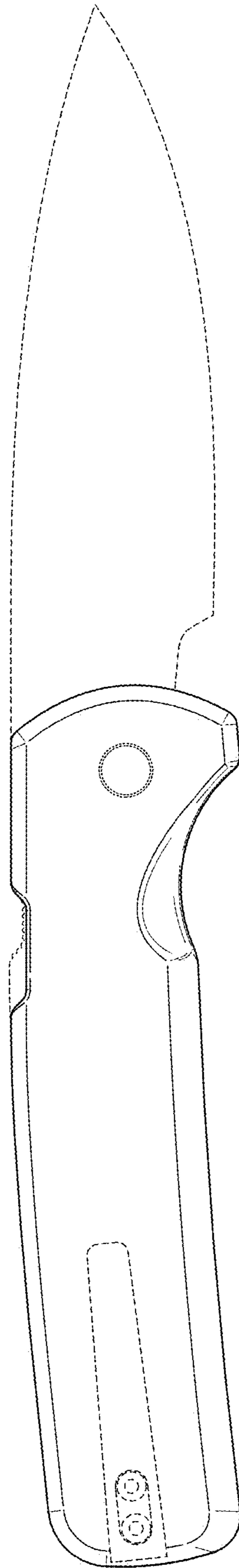


FIG. 5

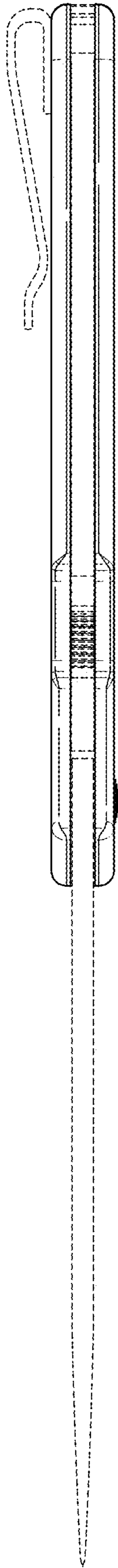


FIG. 6

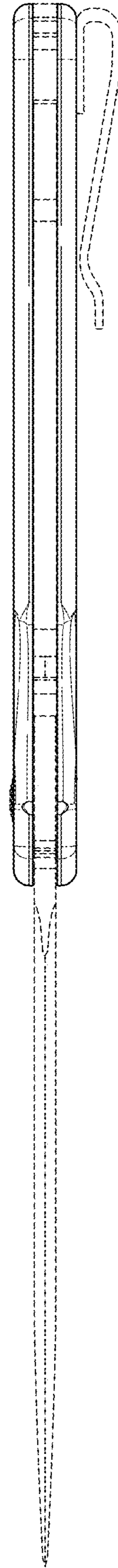


FIG. 7