



US0D1121395S

(12) **United States Design Patent**
Worcester

(10) **Patent No.:** **US D1,121,395 S**

(45) **Date of Patent:** **** Apr. 7, 2026**

(54) **PIZZA CUTTER HOLDER**

(71) Applicant: **Steve Worcester**, Plano, TX (US)

(72) Inventor: **Steve Worcester**, Plano, TX (US)

(**) Term: **15 Years**

(21) Appl. No.: **29/909,042**

(22) Filed: **Jul. 31, 2023**

(51) **LOC (15) Cl.** **07-09**

(52) **U.S. Cl.**
USPC **D7/637**

(58) **Field of Classification Search**
USPC ... D7/612, 700, 637, 602, 629, 600.1-600.4,
D7/515, 589, 631, 391, 392.1, 639, 549,
D7/620; D9/435, 516, 560; D11/13;
D21/725, 753
CPC A63B 69/0002; A63B 2102/182; A63B
2102/18; A63B 2214/00; B65D 83/771;
B65D 25/16; B65D 47/0847; B65D 1/34;
B65D 11/188; B65D 43/0222; B65D
81/261; B26B 3/00; B26B 27/00; A47G
21/045; A47J 47/02

See application file for complete search history.

(56) **References Cited**

U.S. PATENT DOCUMENTS

D346,721 S *	5/1994	Feer	D7/631
D484,008 S *	12/2003	Goodman	D7/631
D515,881 S *	2/2006	Berger	D7/631
D716,880 S *	11/2014	Cote	D21/493
D846,953 S *	4/2019	O'Halloran	D7/631
D926,533 S *	8/2021	Stefani	D7/631
D966,815 S *	10/2022	Spruell	D7/504

D1,015,082 S *	2/2024	Ciarrocchi	D7/637
D1,025,705 S *	5/2024	Gilmore	D7/504
D1,030,412 S *	6/2024	Gilmore	D7/504
D1,053,679 S *	12/2024	Zhang	D7/637
D1,073,415 S *	5/2025	Li	D7/641

OTHER PUBLICATIONS

Pizza Cutter Holder for PSI 4" cutter, first available N/A. Retrieved from: <https://www.turningwood.com/product/pizza-cutter-holder-for-psi-4-cutter/> on Aug. 4, 2025.*

Pizza Cutter Stand, first available Jun. 24, 2025. Retrieved from: <https://web.archive.org/web/20250624045851/https://nilesbottlestoppers.com/product/pizza-cutter-stand/> on Aug. 4, 2025. (Year: 2025).*

* cited by examiner

Primary Examiner — Justin M Jonaitis

Assistant Examiner — Terilyn Davis

(74) *Attorney, Agent, or Firm* — Saxton & Stump, LLC

(57) **CLAIM**

The ornamental design for a pizza cutter holder as shown and described.

DESCRIPTION

FIG. 1 is a perspective view of a pizza cutter holder.

FIG. 2 is a first side view thereof.

FIG. 3 is a second side view thereof.

FIG. 4 is a front view thereof.

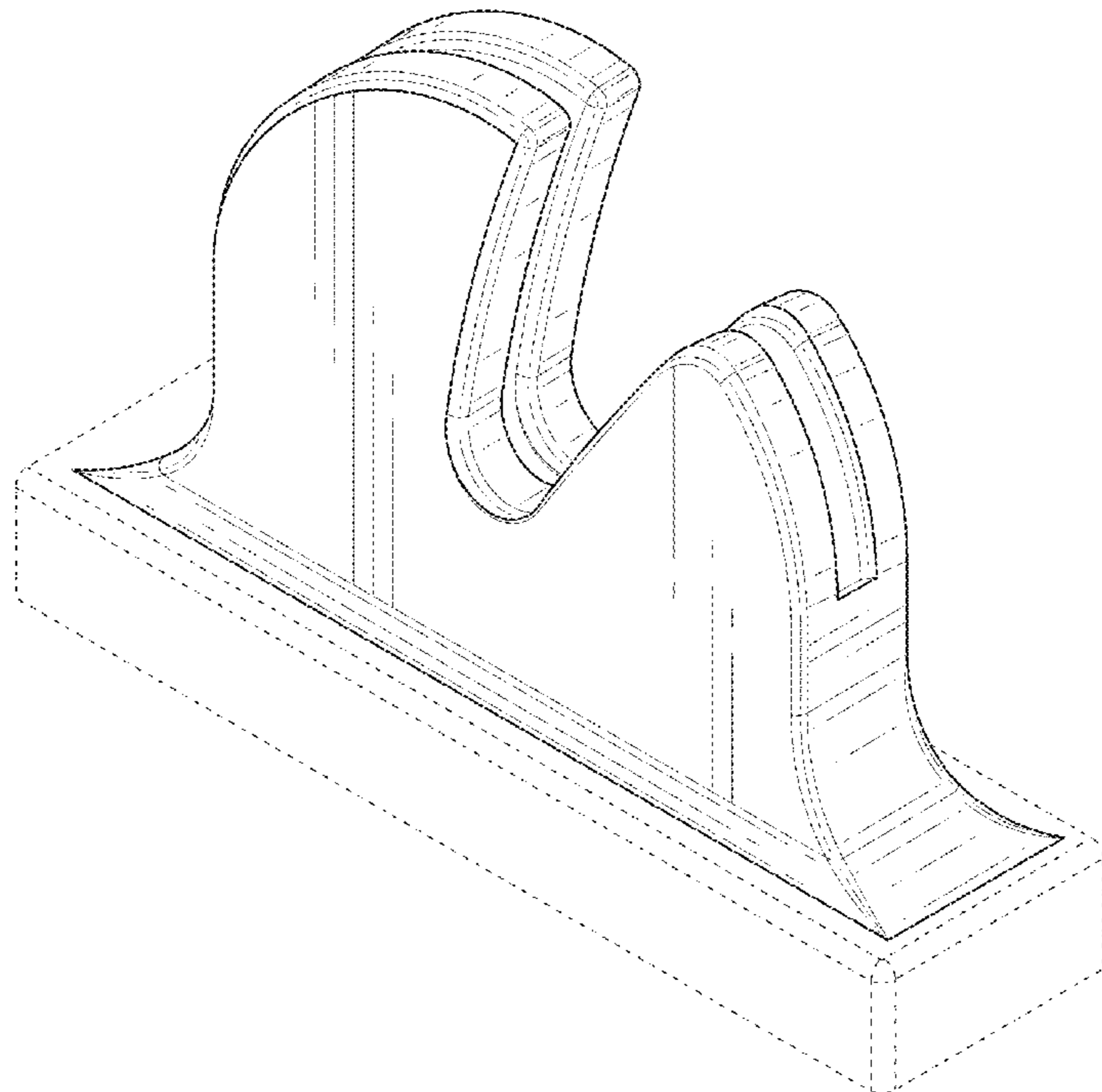
FIG. 5 is a rear view thereof.

FIG. 6 is a top view thereof; and,

FIG. 7 is a bottom view thereof.

The broken lines in the figures illustrate portions of the pizza cutter holder that form no part of the claimed design.

1 Claim, 7 Drawing Sheets



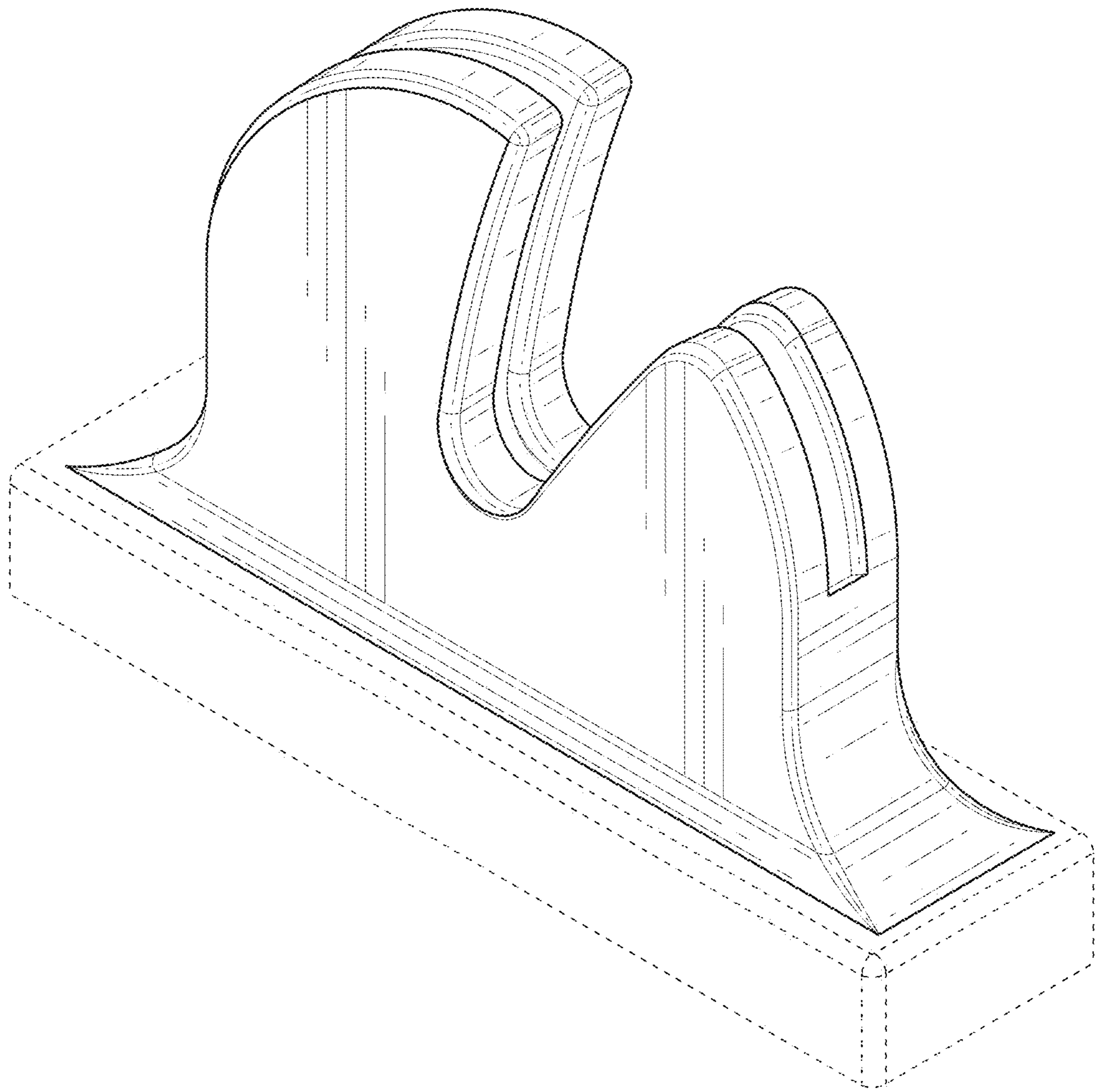


FIG. 1

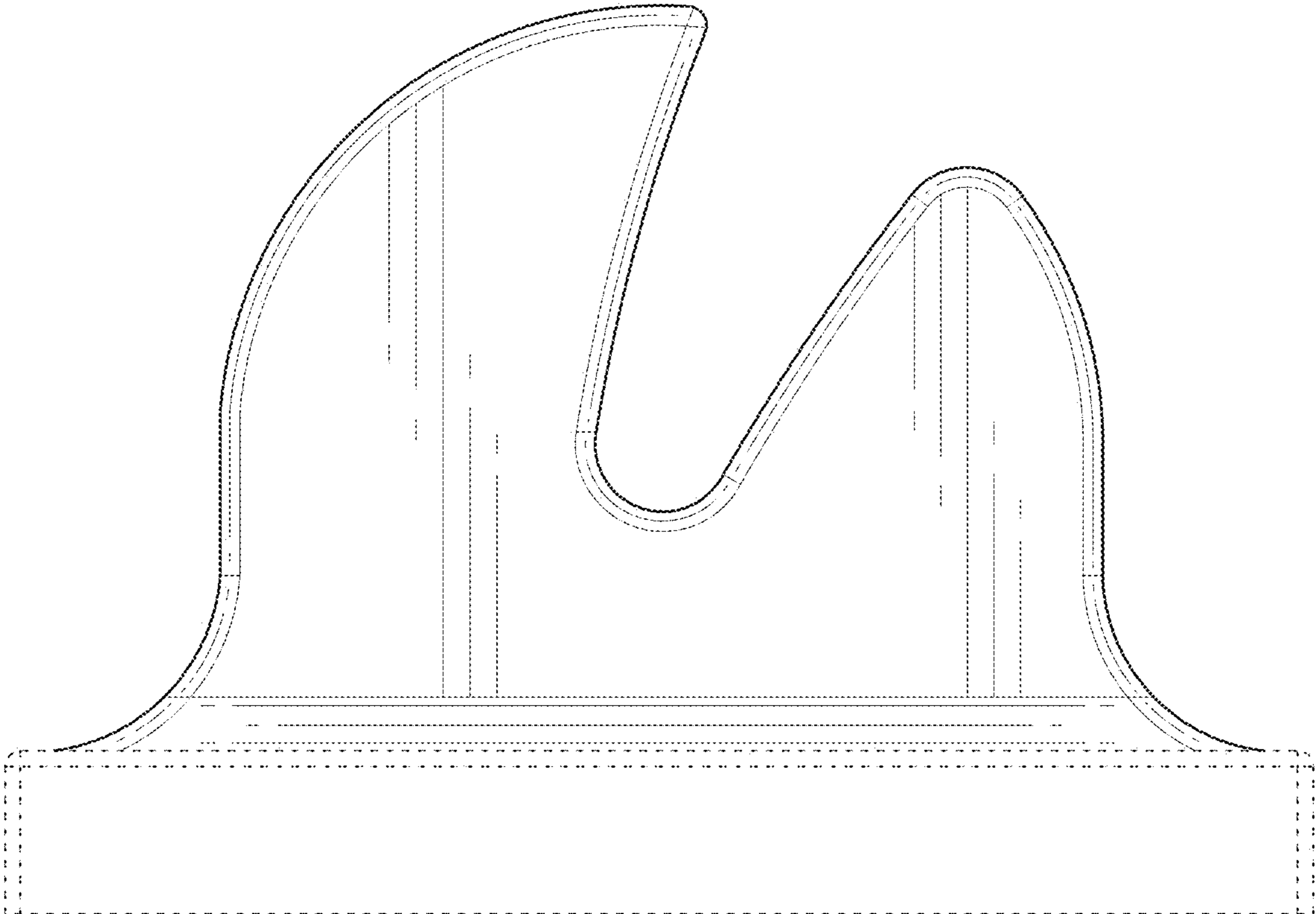


FIG. 2

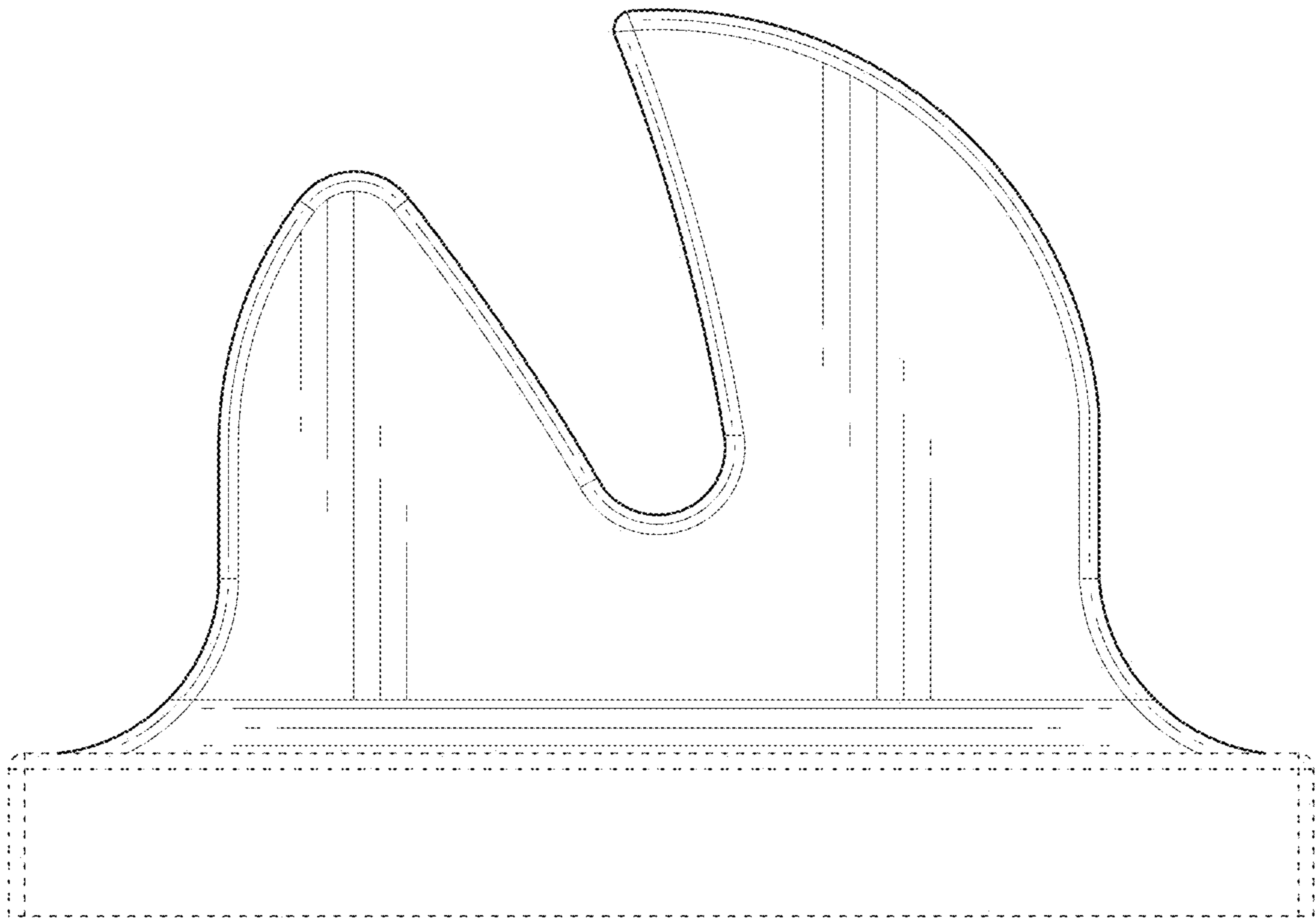


FIG. 3

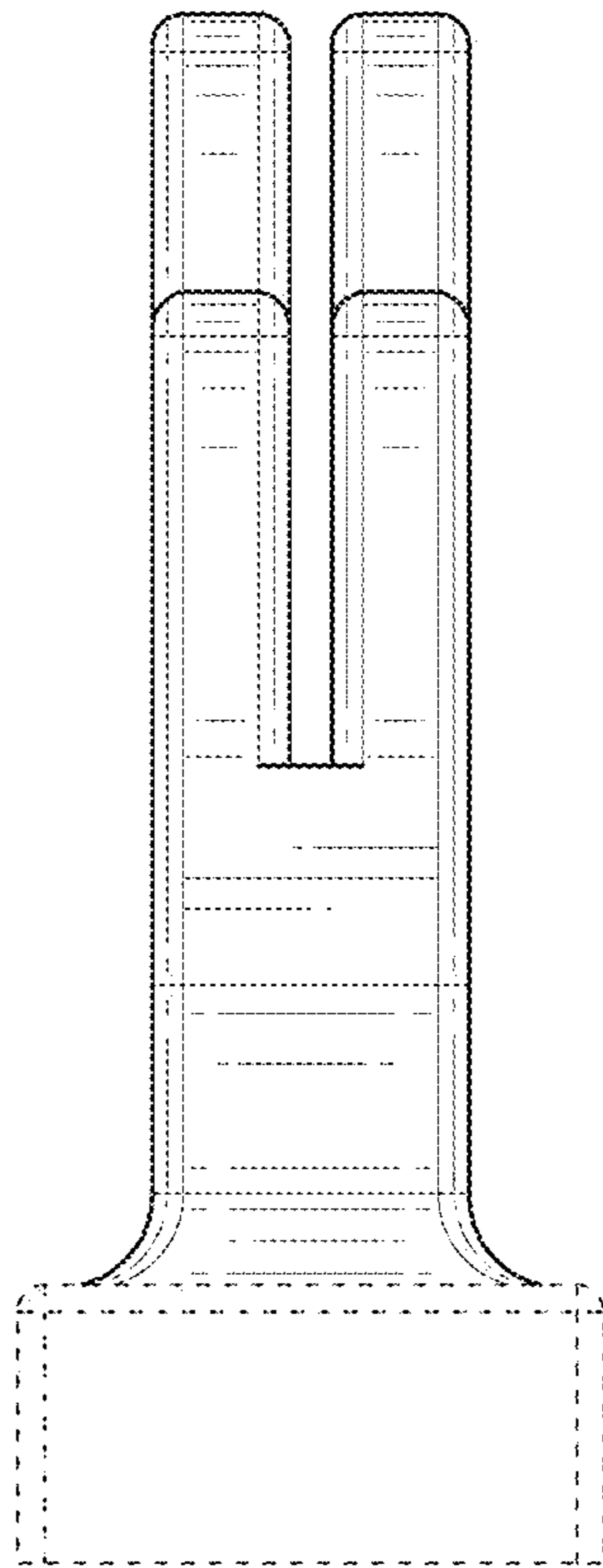


FIG. 4

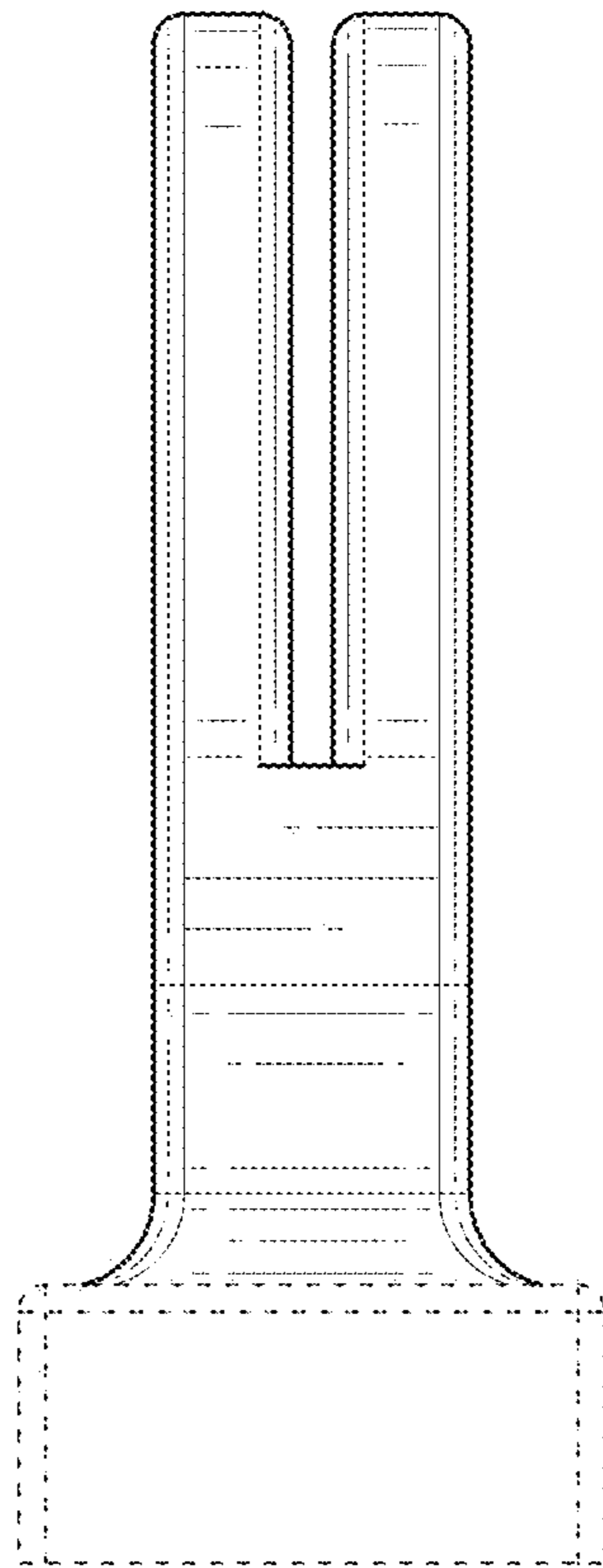


FIG. 5

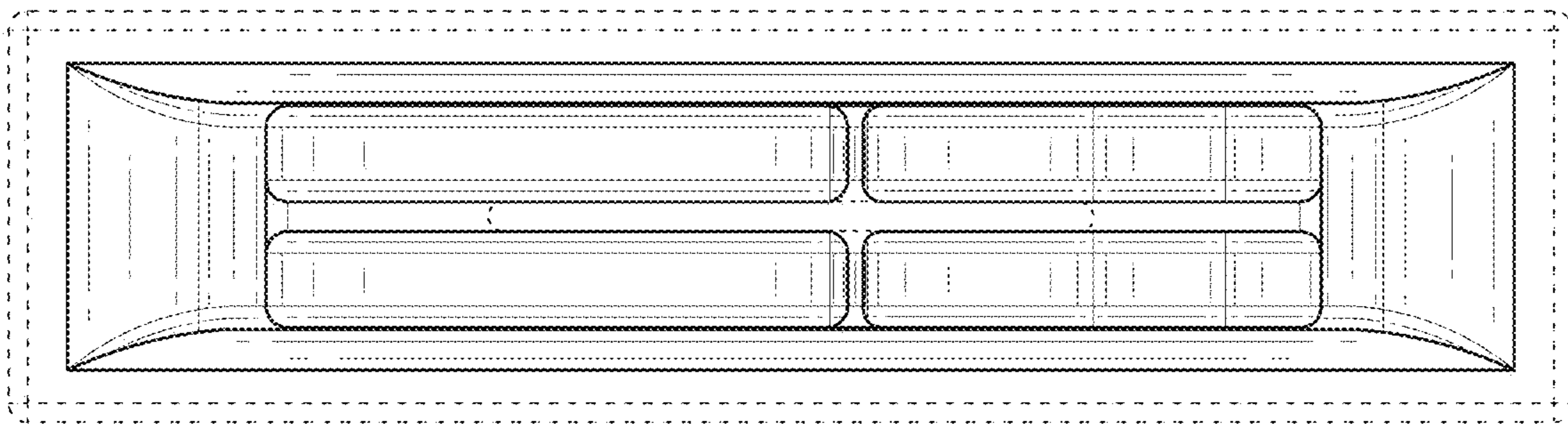


FIG. 6

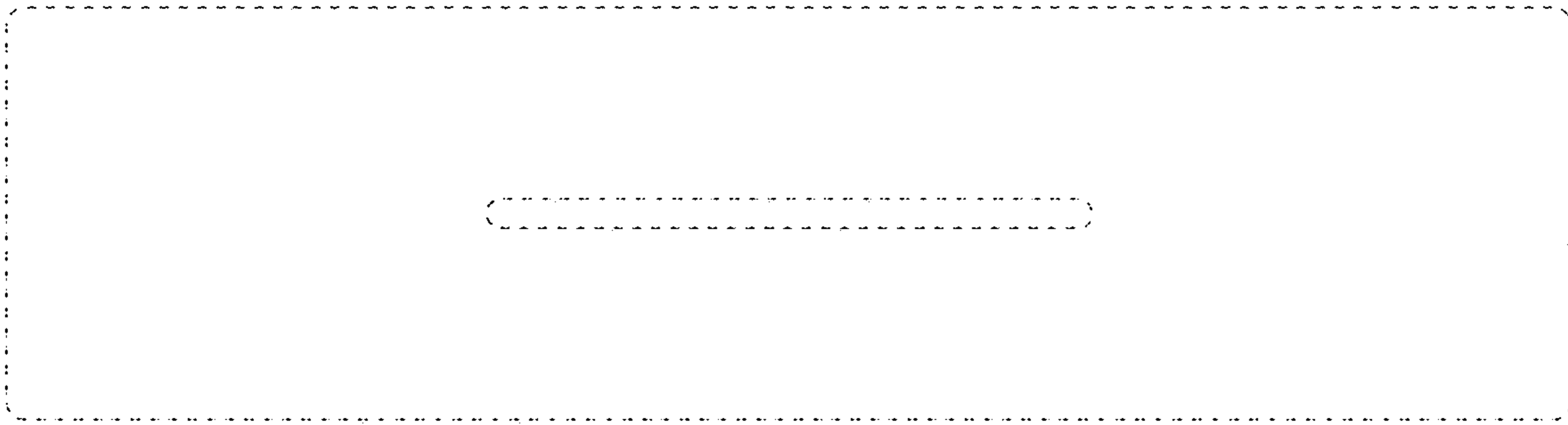


FIG. 7