



US0D1121061S

(12) **United States Design Patent**
Ewing et al.

(10) **Patent No.: US D1,121,061 S**
(45) **Date of Patent: ** Mar. 31, 2026**

(54) **MODEL VEHICLE ELECTRONIC SPEED CONTROL ASSEMBLY**

(71) Applicant: **TRAXXAS, L.P.**, McKinney, TX (US)

(72) Inventors: **Adam Cole Ewing**, McKinney, TX (US); **Otto Karl Allmendinger**, Rowlett, TX (US); **Terry Soward**, Van Alstyne, TX (US)

(73) Assignee: **TRAXXAS, L.P.**, McKinney, TX (US)

(**) Term: **15 Years**

(21) Appl. No.: **29/963,209**

(22) Filed: **Sep. 16, 2024**

(51) **LOC (15) Cl.** **21-01**

(52) **U.S. Cl.**
USPC **D21/562**; D21/533

(58) **Field of Classification Search**
USPC D21/561, 533, 562, 565, 424, 595, 495,
D21/489, 591; D12/159
CPC A63H 17/262; A63H 18/08
See application file for complete search history.

(56) **References Cited**

U.S. PATENT DOCUMENTS

D292,914 S	*	11/1987	Moeller	D13/184
D407,694 S		4/1999	Hill et al.		
6,019,084 A		2/2000	Haynes et al.		
D457,858 S		5/2002	Lee		
D464,327 S	*	10/2002	Frank, Jr.	D14/188
D799,474 S	*	10/2017	Menendez	D14/313
D807,207 S		1/2018	Seo et al.		
D809,406 S		2/2018	Seo et al.		
D891,408 S	*	7/2020	Kwak	D14/240
D936,930 S	*	11/2021	Hagler	D34/33

(Continued)

FOREIGN PATENT DOCUMENTS

CN 305812692 * 5/2020
EM 015093047-0014 2/2025

(Continued)

OTHER PUBLICATIONS

Traxxas Website, Traxxas Brushless Power System, No Available Date [Website Visited Aug. 18, 2025] Available on the Internet URL <https://traxxas.com/3440-velineon-vxl-4s-brushless-power-system> (Year: 2025).*

(Continued)

Primary Examiner — Lauren D Mcvey

Assistant Examiner — James T Tyree

(74) *Attorney, Agent, or Firm* — Daryl R. Wright; Greg Carr

(57) **CLAIM**

The ornamental design for a model vehicle electronic speed control assembly as shown and described.

DESCRIPTION

FIG. 1 is an upper, left, front perspective view of a model vehicle electronic speed control assembly showing our new design;

FIG. 2 is an upper, right, rear perspective view thereof;

FIG. 3 is a lower, right, front perspective view thereof;

FIG. 4 is a lower, left, rear perspective view thereof;

FIG. 5 is a front elevation view thereof;

FIG. 6 is a rear elevation view thereof;

FIG. 7 is an upper plan view thereof;

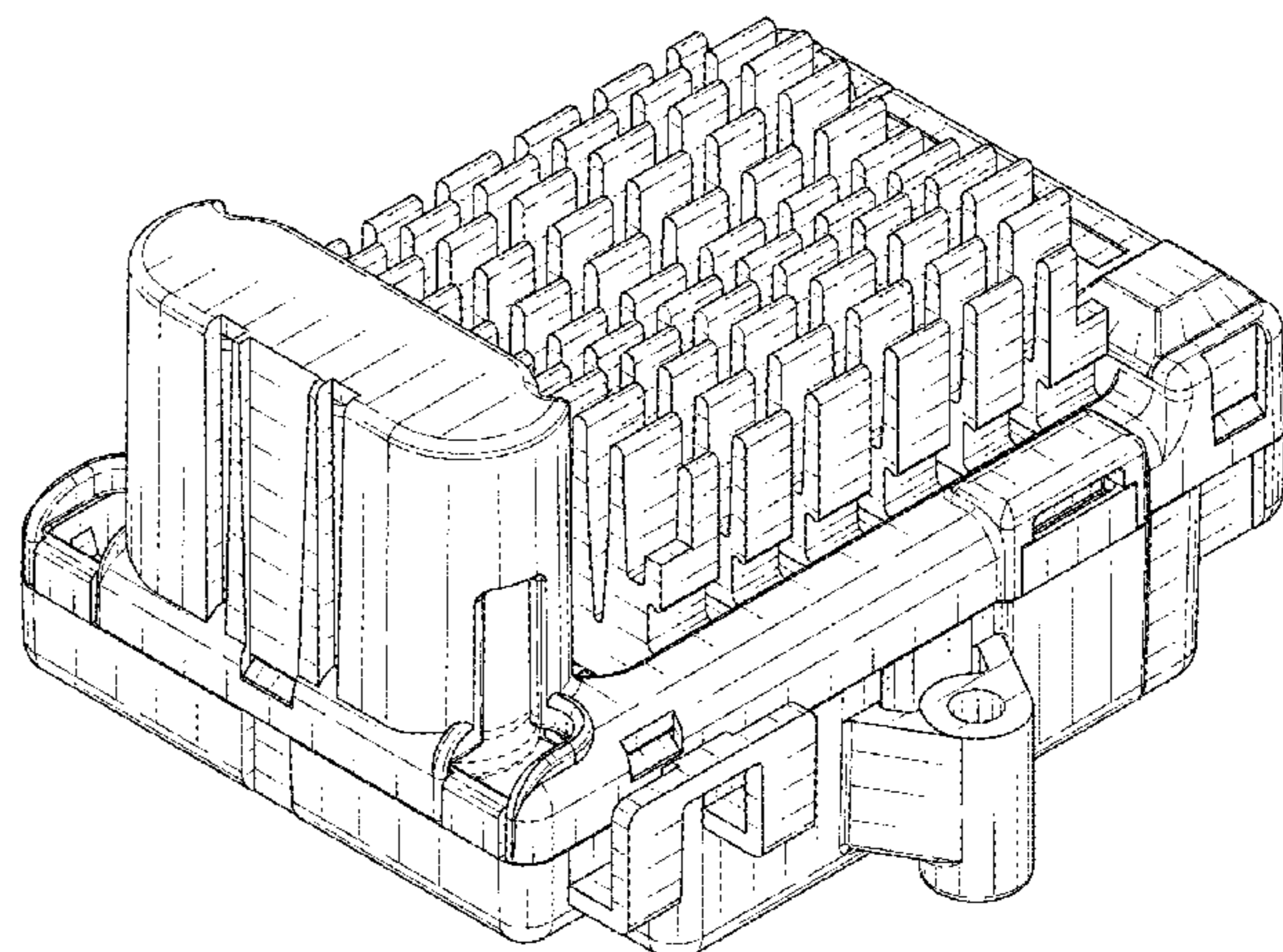
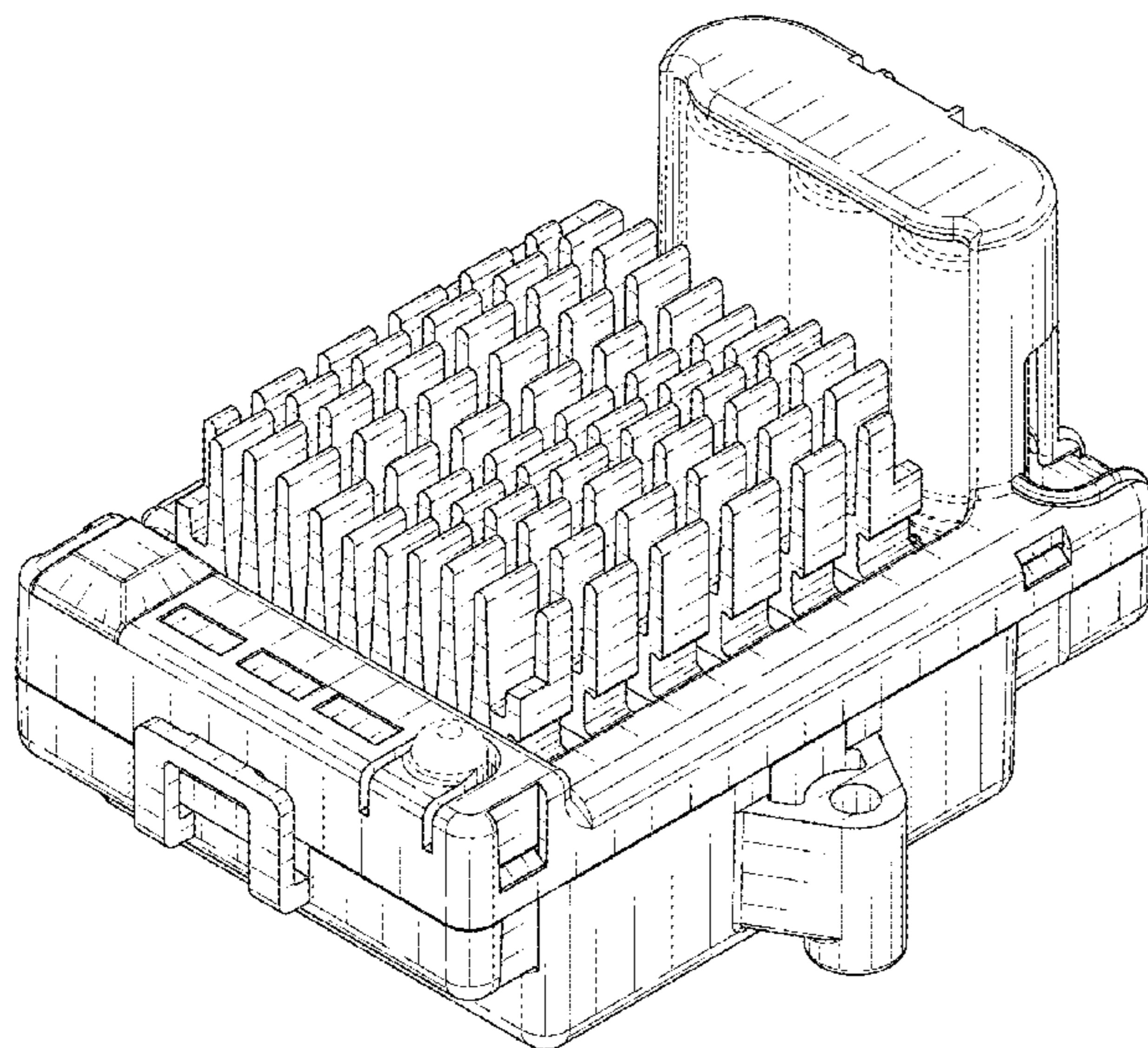
FIG. 8 is a lower plan view thereof;

FIG. 9 is a right-side elevation view thereof; and,

FIG. 10 is a left-side elevation view of a model vehicle electronic speed control assembly.

In the drawings, the broken lines illustrate portions of the model vehicle electronic speed control assembly that form no part of the claimed design.

1 Claim, 8 Drawing Sheets



(56)

References Cited

U.S. PATENT DOCUMENTS

D939,442	S	*	12/2021	Soward	D13/120
D978,820	S	*	2/2023	Kim	D14/240
D1,014,651	S	*	2/2024	Wood	D21/561
D1,029,798	S		6/2024	Mai		
D1,030,910	S	*	6/2024	Poteet	D21/495
D1,033,560	S	*	7/2024	Nezu	D21/333
D1,058,701	S	*	1/2025	Ewing	D21/562
D1,072,092	S	*	4/2025	Ewing	D21/566
D1,084,075	S	*	7/2025	Ewing	D21/561
2021/0332873	A1		10/2021	Blesener et al.		

FOREIGN PATENT DOCUMENTS

EM	015094929-0021	*	3/2025
GB	6265736		3/2023
GB	6303605	*	8/2023

OTHER PUBLICATIONS

Walmart Website, Traxxas Power System, Earliest Comment Date: Mar. 20, 2025 [Website Visited Aug. 18, 2025] Available on the Internet URL <https://www.walmart.com/ip/174747218> (Year: 2025).*

Amazon Website, 9imod Electronic Speed Controller, No Available Date [Website Visited Aug. 18, 2025] Available on the Internet URL <https://www.amazon.com/dp/B0FH2VK5D1> (Year: 2025).*

Traxxas 1/10 Slash 4x4 Velineon 3500 Brushless Motor, Jul. 31, 2016, amazon.com, site visited Aug. 28, 2024, URL: <https://www.amazon.com/Traxxas-VELINEON-BRUSHLESS-VXL-3s-WATERPROOF/dp/B01JF6S12S> (Year: 2016).

GoolRC 60A 2S-3S Brushed ESC Waterproof Electronic Speed Controller Replacement for 1/10 Tamiya Traxxas Redcat HSP HPI RC Car, Amazon Website, Earliest Comment Date: Mar. 24, 2023 [Website Visited Sep. 30, 2024] Available on the Internet URL: <https://www.amazon.com/dp/B08FBXKF3R/> (Year: 2023).

Traxxas Electronic Speed Control, Traxxas Website, No Available Date [Website Visited Sep. 30, 2024] Available on the Internet URL: <https://traxxas.com/products/parts/3382> (Year: 2024).

Traxxas ESC BL-2S Waterproof FWD/REV, Amazon Website, No Available Date [Website Visit Sep. 30, 2024] Available on the Internet URL: <https://www.amazon.com/dp/B0CRMMW3GS>. (Year: 2024).

TRX-4M Brushless Power System, Traxxas Website, No Available Date [Website Visited Sep. 25, 2025] Available on the Internet, URL <https://traxxas.com/6250-trx-4m-brushless-power-system> (Year: 2025).

* cited by examiner

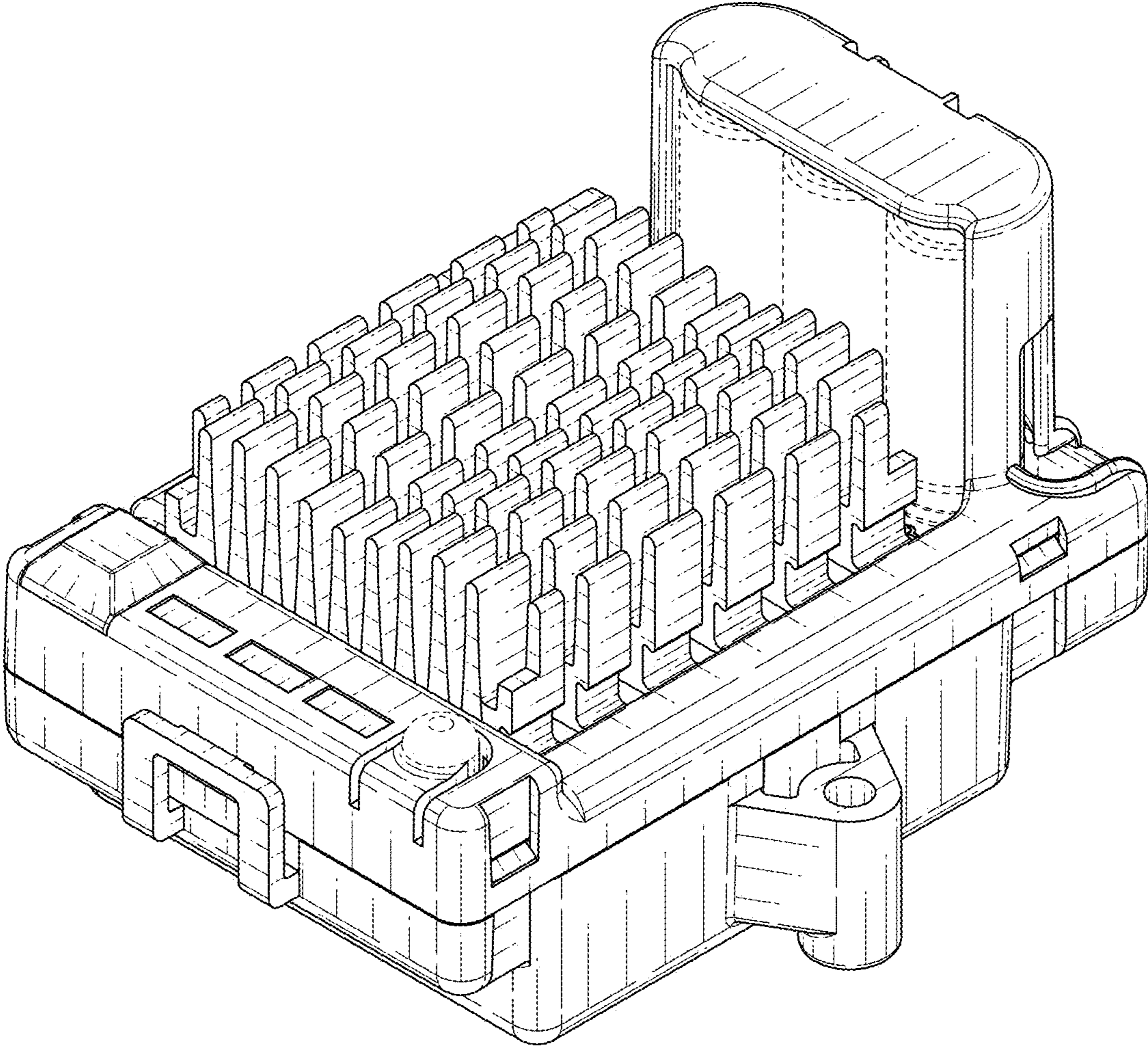


FIG. 1

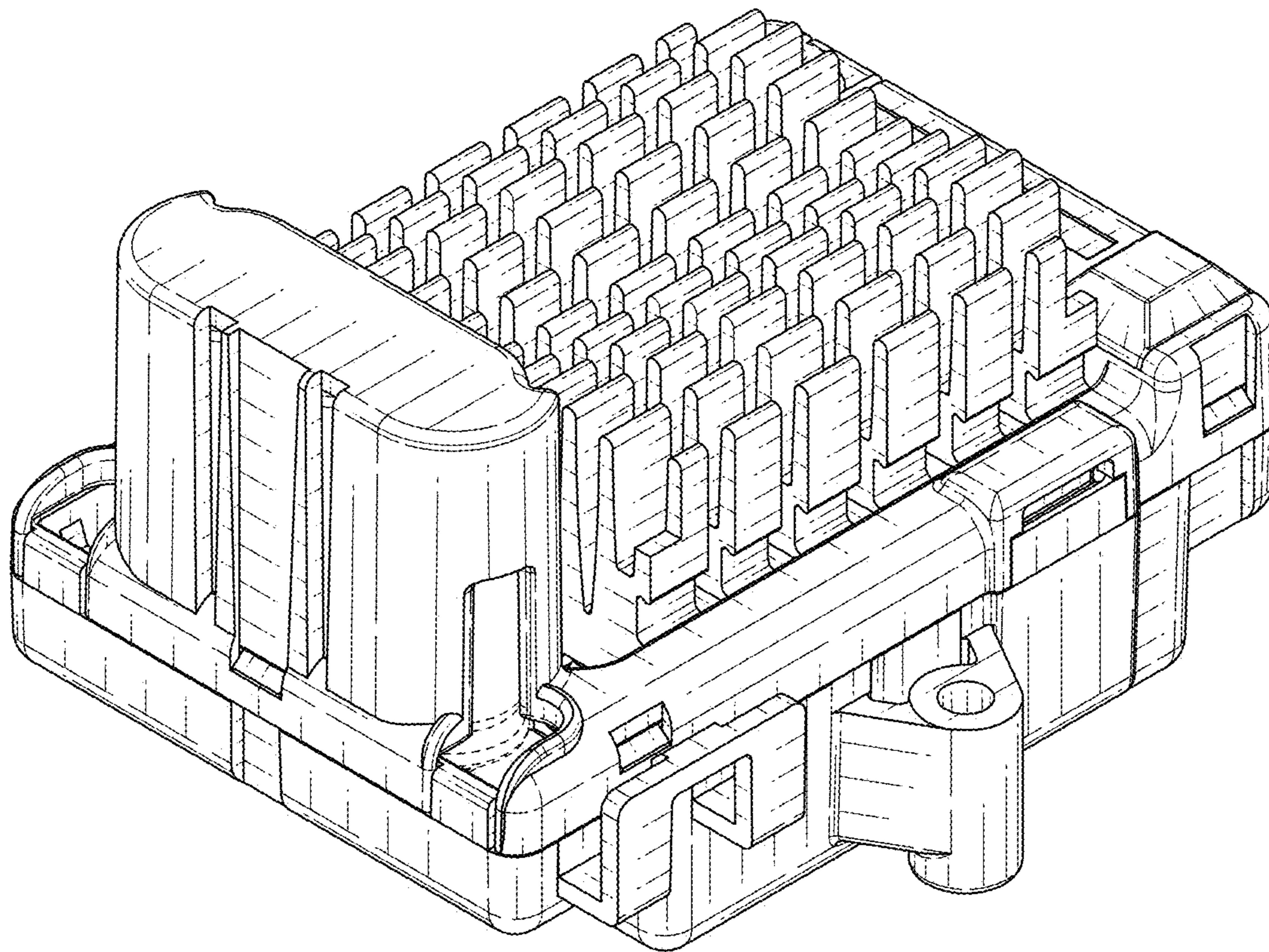


FIG. 2

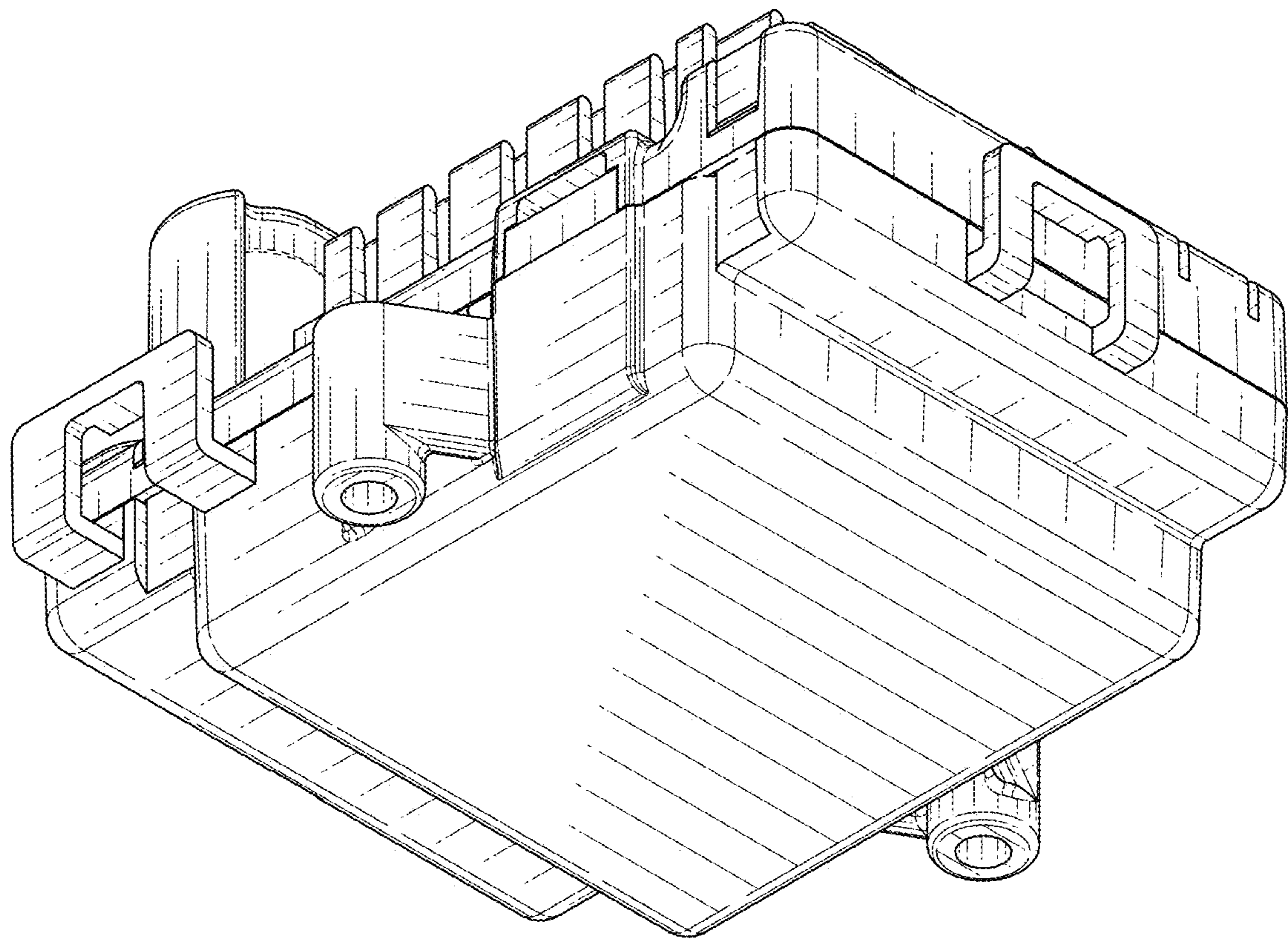


FIG. 3

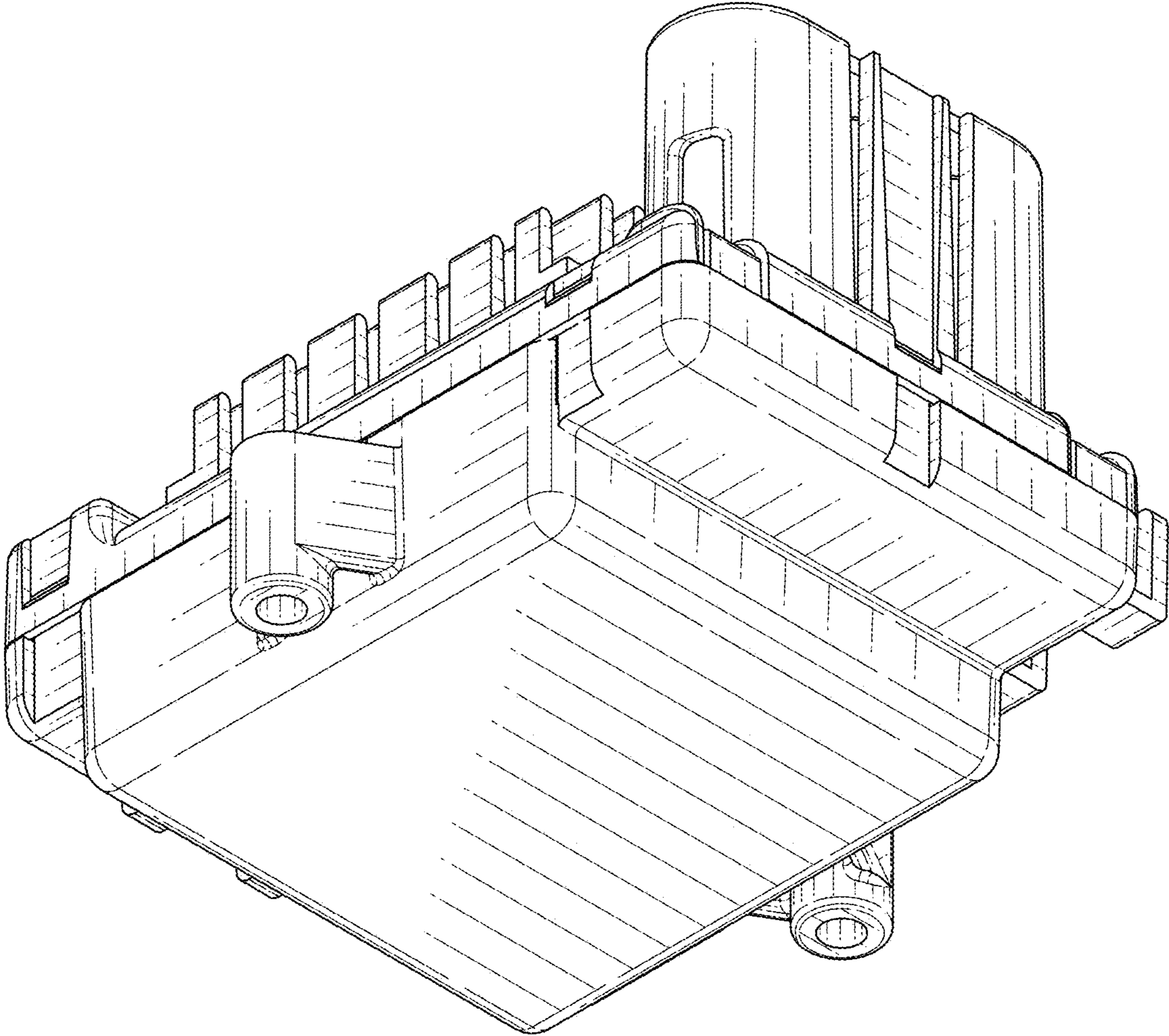


FIG. 4

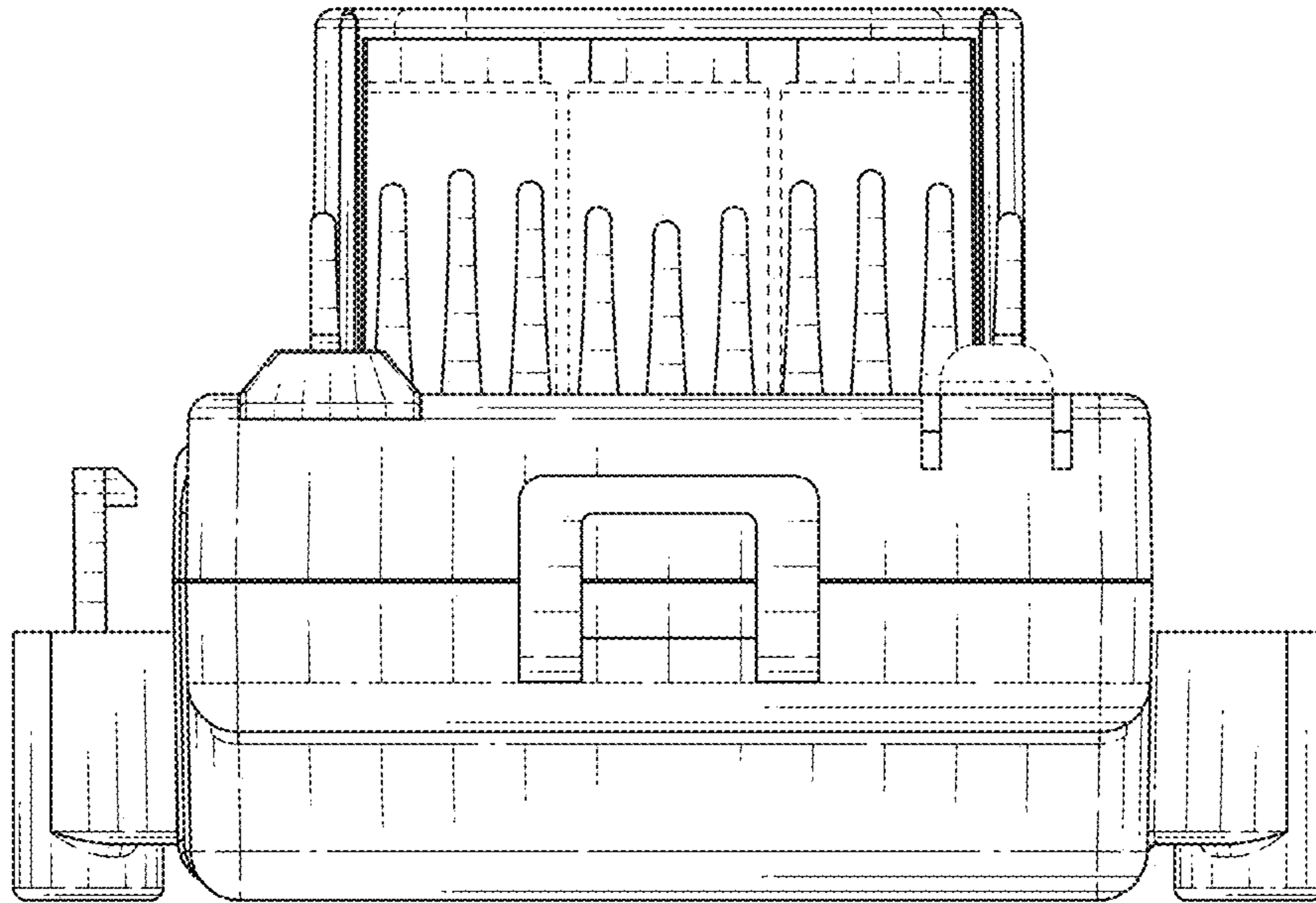


FIG. 5

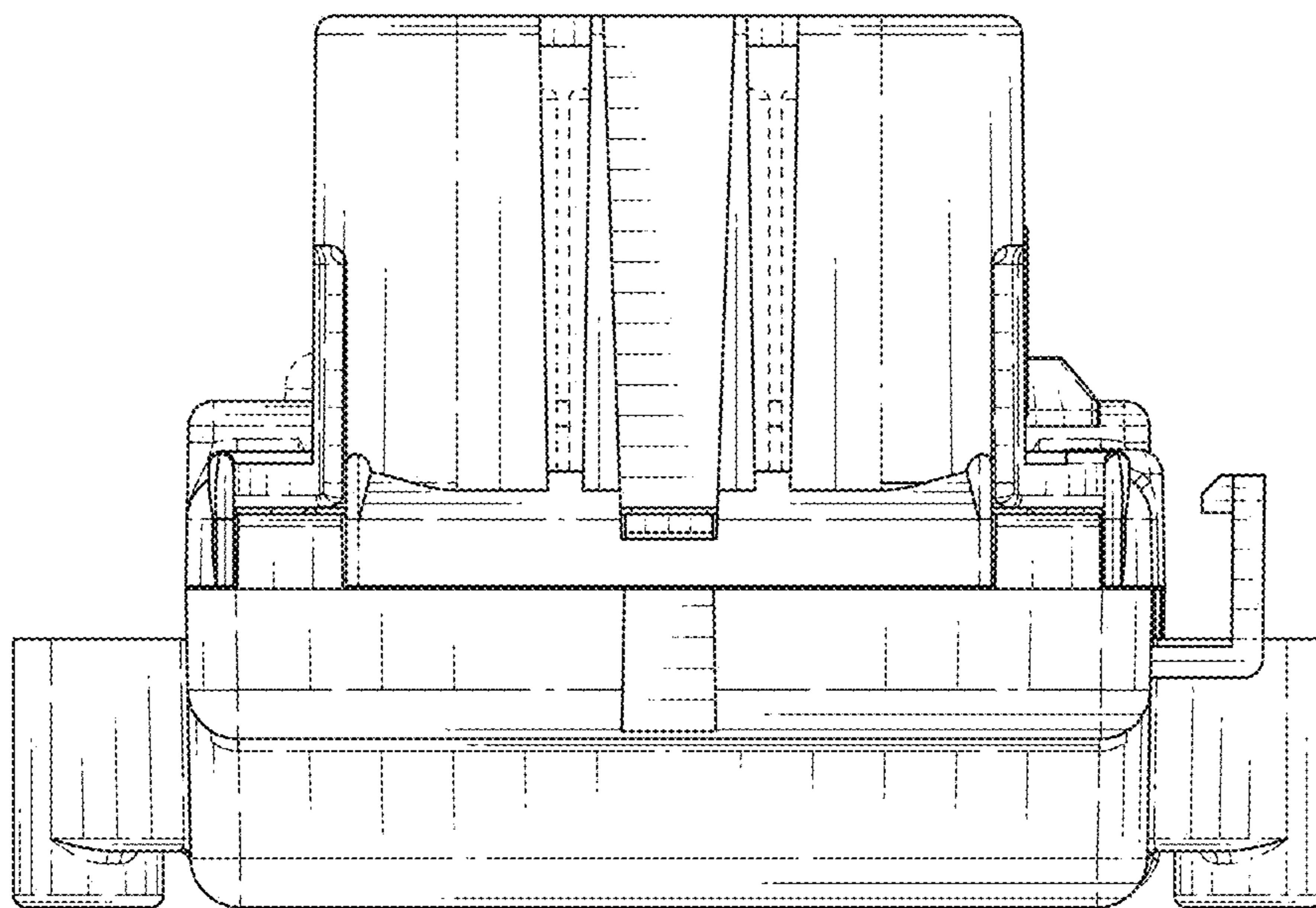


FIG. 6

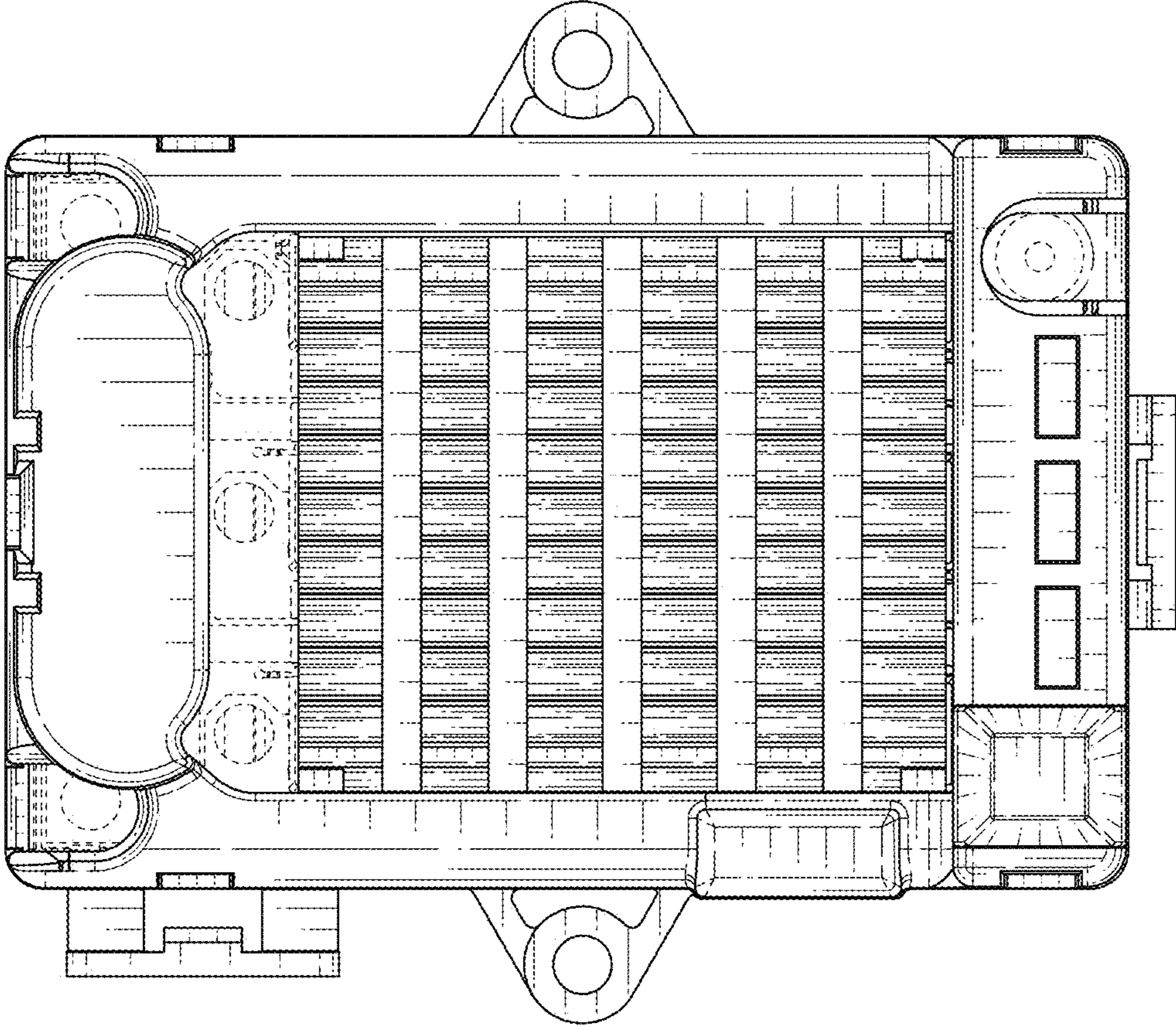


FIG. 7

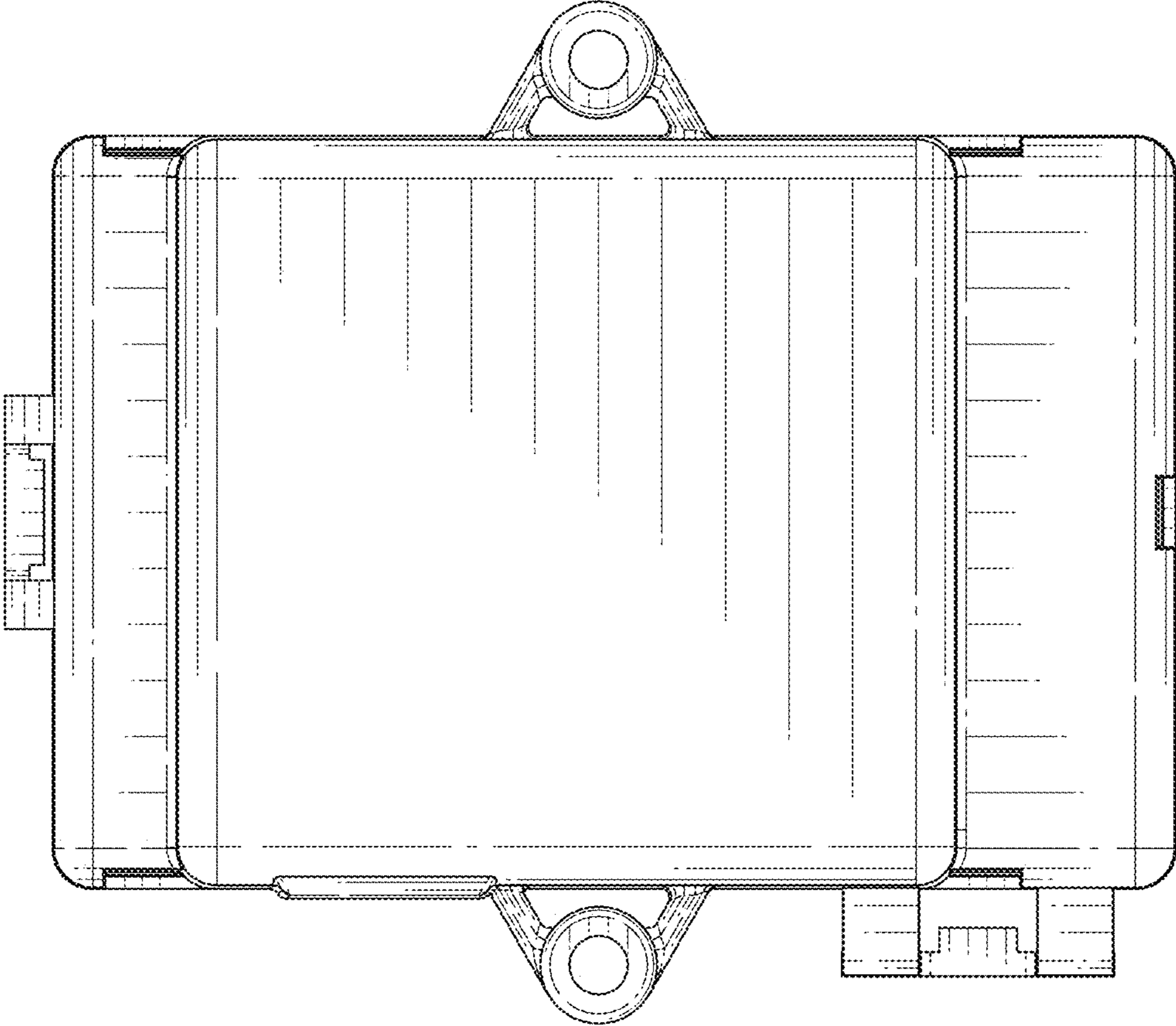


FIG. 8

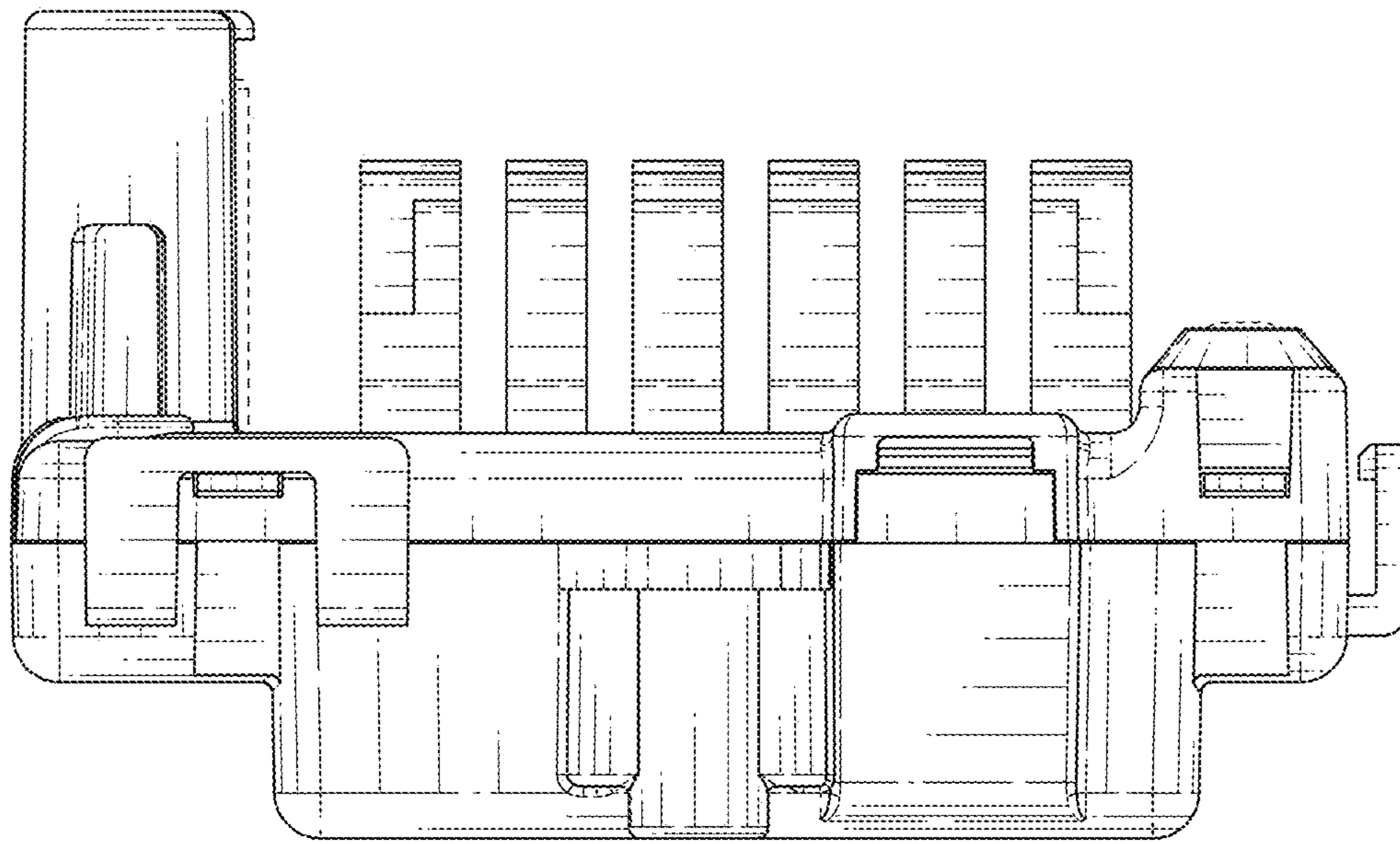


FIG. 9

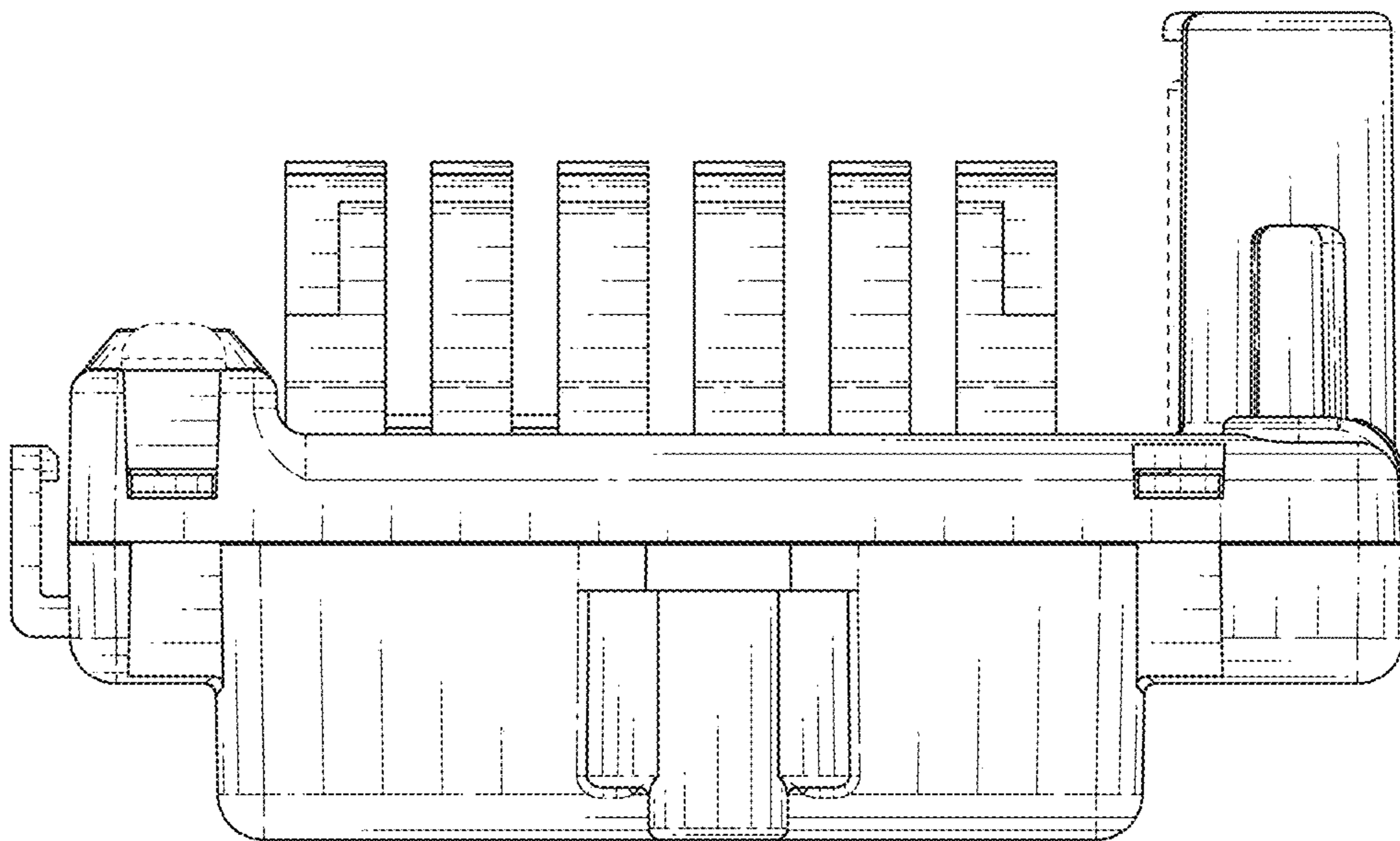


FIG. 10