



US0D1121060S

(12) **United States Design Patent**
Hix et al.

(10) **Patent No.:** **US D1,121,060 S**
(45) **Date of Patent:** **** Mar. 31, 2026**

(54) **MODEL VEHICLE BODY MOUNT SET**

(71) Applicant: **TRAXXAS, L.P.**, McKinney, TX (US)
(72) Inventors: **Caleb Hix**, McKinney, TX (US);
Randy Perez, McKinney, TX (US);
Jory Sprowl, Howe, TX (US); **Ross**
Martin, Roanoke, TX (US); **Adam**
Cole Ewing, McKinney, TX (US); **Otto**
Karl Allmendinger, Rowlett, TX (US)
(73) Assignee: **TRAXXAS, L.P.**, McKinney, TX (US)
(**) Term: **15 Years**

(21) Appl. No.: **29/900,667**
(22) Filed: **Aug. 23, 2023**
(51) **LOC (15) Cl.** **21-01**
(52) **U.S. Cl.**
USPC **D21/561**; D21/533; D21/562
(58) **Field of Classification Search**
USPC D21/561, 533, 562, 565, 424, 595, 495,
D21/489, 491; D12/159
CPC A63H 17/262; A63H 18/08
See application file for complete search history.

(56) **References Cited**

U.S. PATENT DOCUMENTS

D264,792 S	6/1982	Conti
4,371,293 A	2/1983	Wilcox et al.
D281,187 S	10/1985	Wiese
D284,165 S	6/1986	Brilando et al.
D342,011 S	12/1993	Maguire
D364,084 S	11/1995	Yaich
D373,370 S	9/1996	Anthony
D390,648 S	2/1998	Woodall, III
D399,730 S	10/1998	Pitre

(Continued)

FOREIGN PATENT DOCUMENTS

EM	015077025-0005	10/2024
FR	20114104	* 10/2011

(Continued)

OTHER PUBLICATIONS

Traxxas Website, Traxxas Body Conversion Kit, No Available Date [Website Visited Sep. 24, 2025] Available on the Internet URL <https://traxxas.com/3619r-stampede-2wd-clipless-body-conversion-kit> (Year: 2025).*

(Continued)

Primary Examiner — Michael C Stout

Assistant Examiner — James T Tyree

(74) *Attorney, Agent, or Firm* — Daryl R. Wright; Greg Carr

(57) **CLAIM**

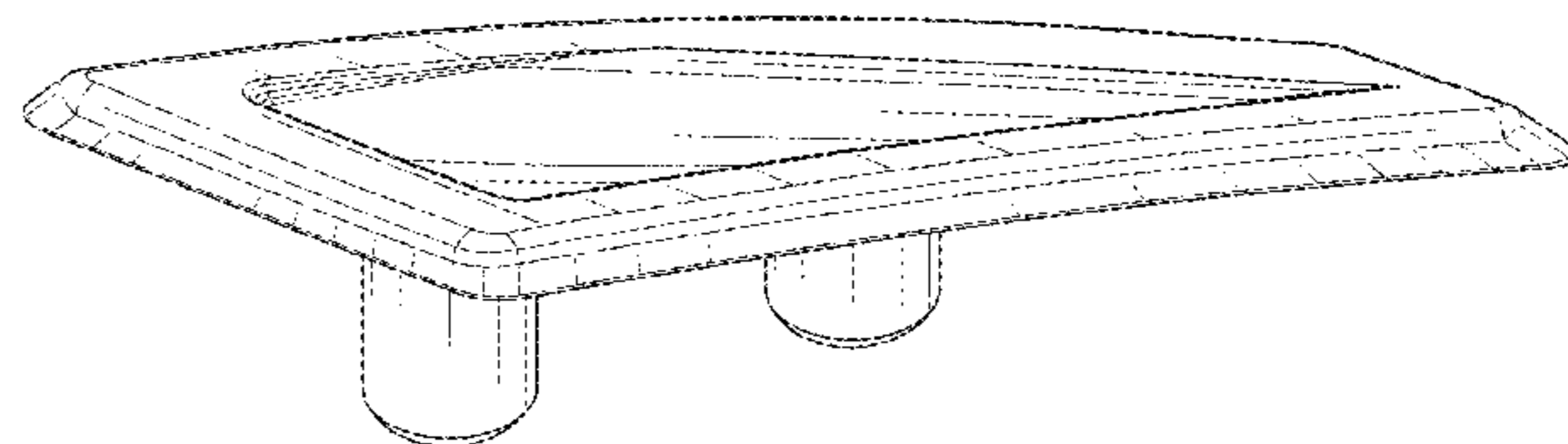
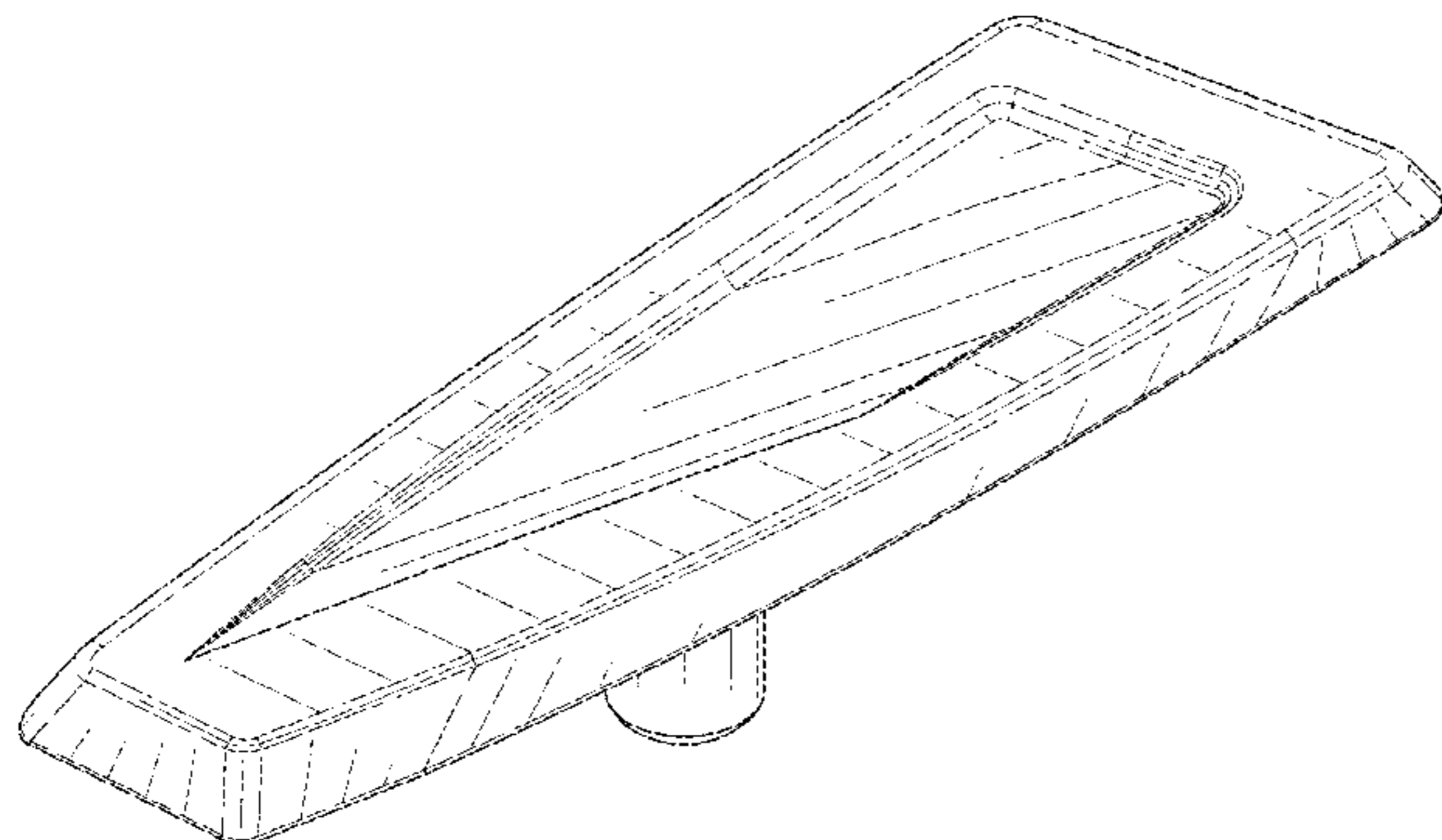
The ornamental design for model vehicle body mount set as shown and described.

DESCRIPTION

FIG. 1 is an upper, left, front perspective view of the first left-side embodiment of a model vehicle body mount set showing our new design; FIG. 2 is an upper, right, rear perspective view thereof; FIG. 3 is a lower, left, rear perspective view thereof; FIG. 4 is a lower, right, front perspective view thereof; FIG. 5 is a front elevation view thereof; FIG. 6 is a rear elevation view thereof; FIG. 7 is a right-side elevation view thereof; FIG. 8 is a left-side elevation view thereof; FIG. 9 is an upper plan view thereof; and, FIG. 10 is a lower plan view of the model vehicle body mount set.

In the drawings, the broken lines illustrate portions of the model vehicle body mount set that form no part of the claimed design. A second right-side embodiment, which is a mirror of the first embodiment, also forms a part of the claimed design.

1 Claim, 5 Drawing Sheets



(56)

References Cited

U.S. PATENT DOCUMENTS

D404,128 S 1/1999 Huebner
 D429,254 S 8/2000 Bisschop
 D439,654 S 3/2001 Hite et al.
 D445,805 S 7/2001 Bruns
 D479,793 S 9/2003 Jones
 D484,037 S 12/2003 Fleetwood
 D495,116 S 8/2004 Trocme
 D500,536 S 1/2005 Broberg
 D515,910 S 2/2006 Gates et al.
 D522,307 S 6/2006 Mariani et al.
 D532,291 S 11/2006 Geers
 D537,201 S 2/2007 McLeish et al.
 D540,228 S 4/2007 Lai
 D540,229 S 4/2007 Lai
 D552,633 S 10/2007 Volkan
 D562,187 S 2/2008 Tiede
 D566,022 S 4/2008 Johnson
 D571,640 S 6/2008 Misch
 D592,377 S 5/2009 Lee
 D609,149 S 2/2010 Larson et al.
 D628,047 S 11/2010 Craig
 D641,527 S 7/2011 Regnier et al.
 D647,789 S 11/2011 McGowan
 D650,121 S 12/2011 Volkan
 D654,937 S 2/2012 Fader et al.
 D674,350 S 1/2013 Hodge et al.
 D678,152 S 3/2013 Behmer et al.
 8,408,419 B2 4/2013 Rippl et al.
 D682,124 S 5/2013 Small
 D682,225 S 5/2013 Bergmann et al.
 D691,034 S 10/2013 Field et al.
 D708,043 S 7/2014 Sonnendorfer et al.
 D711,622 S 8/2014 Kaufman
 D711,623 S 8/2014 Kaufman
 D713,237 S 9/2014 Towner
 D713,240 S 9/2014 Chance et al.
 D713,765 S 9/2014 Peltola et al.
 D726,080 S 4/2015 Mays et al.
 D741,338 S 10/2015 Hoshikugi
 D746,200 S 12/2015 Leetz
 D747,277 S 1/2016 Katsnelson
 D748,548 S 2/2016 Battams
 D749,708 S 2/2016 Smith
 D751,013 S 3/2016 Curic et al.
 D758,257 S 6/2016 Platto et al.
 D760,918 S * 7/2016 Bilge D25/138
 D760,922 S 7/2016 Bilge
 D763,152 S 8/2016 Franscella
 D778,702 S 2/2017 Mouthaan
 D788,659 S 6/2017 Jelec et al.
 D805,223 S 12/2017 DeBellis
 D807,264 S * 1/2018 Henstridge D12/187
 D812,109 S 3/2018 Cross et al.
 D817,140 S 5/2018 Mouthaan
 D826,340 S 8/2018 Ewing et al.
 D826,798 S 8/2018 Behmer et al.
 D828,460 S 9/2018 Wood
 D835,503 S 12/2018 Votel et al.
 D835,504 S 12/2018 Votel et al.
 D840,779 S 2/2019 Votel et al.
 D845,100 S 4/2019 Gonzalez Garcia
 D848,543 S 5/2019 Beedle
 D857,491 S 8/2019 Bell et al.
 D867,250 S 11/2019 Goodrich et al.
 D867,475 S 11/2019 Ewing et al.
 D868,171 S 11/2019 Wood
 D873,188 S 1/2020 Rolfs et al.
 D873,737 S 1/2020 Goodrich et al.
 D874,684 S 2/2020 Darrow et al.
 D880,625 S 4/2020 Romanoff et al.
 D882,472 S 4/2020 Goodrich et al.
 D886,698 S 6/2020 Goodrich et al.
 D887,329 S 6/2020 Zipfel
 D894,070 S * 8/2020 Patel D12/91
 D899,917 S 10/2020 Sprowl et al.

D899,918 S 10/2020 Sprowl et al.
 D900,250 S 10/2020 Ewing et al.
 D901,288 S 11/2020 Sprowl et al.
 D901,289 S 11/2020 Sprowl et al.
 D902,706 S 11/2020 Sprowl et al.
 D904,244 S 12/2020 Wood et al.
 D904,532 S 12/2020 Ewing et al.
 D916,636 S 4/2021 Grand
 D937,152 S * 11/2021 Hamilton D12/169
 D937,722 S 12/2021 Wu
 D945,597 S 3/2022 Morris et al.
 D945,736 S 3/2022 Weatherby et al.
 D951,149 S 5/2022 Ewing
 D953,223 S 5/2022 DiCanzio
 D959,569 S 8/2022 Norman et al.
 D962,138 S * 8/2022 Minol D12/190
 D974,983 S 1/2023 Forschner
 D980,144 S 3/2023 Battams et al.
 D984,937 S * 5/2023 Burki D12/190
 D993,118 S 7/2023 Acton et al.
 D993,866 S 8/2023 Battams et al.
 D999,694 S 9/2023 Burki
 D1,005,906 S 11/2023 Hoyle, Jr.
 D1,006,692 S 12/2023 Zheng
 D1,006,900 S * 12/2023 Christensen D21/561
 D1,009,737 S 1/2024 Siddall
 D1,011,242 S 1/2024 Lin
 D1,011,243 S 1/2024 Lin
 D1,012,797 S * 1/2024 Eburah D12/181
 D1,015,971 S * 2/2024 Burki D12/190
 D1,028,813 S * 5/2024 Burki D12/181
 D1,031,547 S 6/2024 Zhang
 D1,037,098 S 7/2024 Frascella et al.
 D1,037,099 S 7/2024 Eburah et al.
 D1,038,854 S 8/2024 Xiao et al.
 D1,040,936 S * 9/2024 Christensen D21/561
 D1,049,975 S 11/2024 Hagler et al.
 D1,049,976 S * 11/2024 Ewing D12/190
 D1,050,997 S 11/2024 Ewing et al.
 D1,051,799 S 11/2024 Young et al.
 D1,092,316 S * 9/2025 Hagler D21/495
 2006/0201727 A1 9/2006 Chan
 2011/0129318 A1 6/2011 Davies
 2012/0199530 A1 8/2012 Kim
 2013/0046389 A1 2/2013 Fierlbeck et al.
 2017/0321434 A1 11/2017 Shadwell et al.
 2018/0251162 A1 9/2018 Overgaard et al.
 2023/0219010 A1 7/2023 Christensen et al.

FOREIGN PATENT DOCUMENTS

GB 6332684 * 12/2023
 GB 6348342 * 3/2024
 GB 6365747 5/2024

OTHER PUBLICATIONS

Amazon Website, Traxxas Body Conversion Kit, No Available Date [Website Visited Sep. 24, 2025] Available on the Internet URL <https://www.amazon.com/dp/B0DW9KDVRR> (Year: 2025).*

Amazon Website, Traxxas Body Conversion Kit, Earliest Comment Date: Feb. 13, 2024 [Website Visited Sep. 24, 2025] Available on the Internet URL <https://www.amazon.com/dp/B0CJZXNS3M> (Year: 2024).*

Rpm Body Savers for Traxxas Rustler 4x4, Tin-Eye Date Aug. 15, 2019 [Online], [Site Visited Nov. 3, 2020] Available From Internet, URL: <<https://www.modelsport.co.uk/rpm-body-savers-for-traxxas-rustler-4x4/rc-car-products/442109>> (Year: 2019).

Grote 93402 Black Grommet for Small Rectangular Light (Pvc), Jul. 7, 2004, Amazon.com, Jun. 16, 2021, URL: <https://www.amazon.com/Grote-93402-Black-Grommet-Rectangular/dp/B000FBUL62> (Year: 2004).

ZdyCGTime Bulk Nose Faceplate Wall Plate for Cabling 1 Gang Cable Plate, Sep. 27, 2018, Amazon.com, Jun. 16, 2021, URL: <https://www.amazon.com/dp/B07HRC2422/> (Year: 2018).

(56)

References Cited

OTHER PUBLICATIONS

Dorman Help! 42062 Pcv Valve Grommet, Jul. 7, 2004, Amazon.com, Jun. 16, 2021, URL: <https://www.amazon.com/Dorman-HELP-42062-Valve-Grommet/dp/B000COB5Y4> (Year: 2004).

Black Rubber Feet 16Pcs Self Adhesive Rubber Feet Bumper, Apr. 23, 2020, amazon.com, Jun. 29, 2022, URL: <https://www.amazon.ca/Adhesive-Electronics-Speakers-Computers-Keyboard/dp/B085DMB1XV/> (Year: 2020).

Yoga Foam Wedge Blocks, Apr. 10, 2018, amazon.com, Jun. 30, 2022, URL: <https://www.amazon.com/dp/B07C3GMFN5/> (Year: 2018).

Traxxas Sledge Body Roof Skid Pads (Black), as shown in www.hobbytown.com, Jul. 5, 2022, Part # TRA9510. (Year: 2022).

FR3Z-16C630-BK Speed Mesh Hood Vent Kit Black, posted Jun. 26, 2019 [online], [retrieved Apr. 28, 2025]. Retrieved from internet, URL: https://www.amazon.com/DRAKE-FR3Z-16C630-BK-Black-Speed-Vents/dp/B07TJB6WWWVS?source=ps-sl-shoppingads-lpcontext&ref_=fplfs&psc=1&s%E2%80%A6 (Year: 2019).

Upgrade Air Intake Hood Cover for Traxxas TRX-4 Bronco 2021 1/10 RC Crawler Car, posting date unavailable [online]. [Retrieved Jun. 6, 2025]. Retrieved from internet, <<https://www.amazon.com/Upgrade-Intake-Traxxas-Bronco-Crawler/dp/B0BM3Z9KGP>> (Year: 2025).

Kyx Racing DIY Nylon Engine Hood for 1/10 Rc Crawler Car Jeep Wrangler Body Axial SCX10 II, posting date unavailable [online]. [Retrieved Jun. 6, 2025]. Retrieved from internet, <<https://www.amazon.com/KYX-Racing-Engine-Crawler-Wrangle/dp/B081JKX6W2>> (Year: 2025).

Product Spotlight: Body Reinforcements, Earliest Available Date Nov. 3, 2020 [Online], [Site Visited Nov. 3, 2020] Available From Internet, URL: <<https://traxxas.com/news/body-reinforcements>> (Year: 2020).

Single Gang Bundled Cable Wall Plate, White, Nov. 7, 2016, Amazon.com, Jun. 16, 2021, URL: <https://www.amazon.com/Skywalker-Signature-Single-Bundled-Cable/dp/B01N3KSI27> (Year: 2016).

Longwin 60mm Trapezoid Dimple Blocks, Jan. 22, 2018, amazon.com, Jun. 29, 2022, URL: <https://www.amazon.com/LONGWIN-Trapezoid-Dimple-Display-150-200mm/dp/B01ESZ1OWK/> (Year: 2018).

Blocks, Trapezoid Set of 2, Jul. 1, 2015, amazon.jp, Jun. 29, 2022, URL: <https://www.amazon.co.jp/-/en/Blocks-Trapezoid-Set-of-2/dp/B010P8LSU2> (Year: 2015).

FR3Z-16C630-BK Speed Mesh Hood Vent Kit Black, posted Jun. 26, 2019 [online], [retrieved Apr. 28, 2025]. Retrieved from internet, URL: https://www.amazon.com/DRAKE-FR3Z-16C630-BK-Black-Speed-Vents/dp/B07TJB6WWS?source=ps-sl-shoppingads-lpcontext&ref_=fplfs&psc=1&s%E2%80%A6 (Year: 2019).

For Mercedes W204 C63 Amg Bonnet Vent Hood Vent Air Vents Scoop Duct Gloss Black, posting date unavailable [online], [retrieved Apr. 28, 2025]. Retrieved from internet, <https://www.ebay.com/itm/203761954040> (Year: 2025).

Traxxas Left and Right Hood Vents and Retainers, posting date unavailable [online], [retrieved Apr. 28, 2025]. Retrieved from internet, URL: <https://www.rcsuperstore.com/traxxas-left-and-right-hood-vents-and-retainers/> (Year: 2025).

Air Inlet Grille Front Face & Hood for Axial for SCX10 for Jeep Wrangler Crawler 1/10 RC Spare Part Accessory, posting date unavailable [online]. [Retrieved Jun. 6, 2025]. Retrieved from internet, <<https://www.amazon.com/Inlet-Grille-Wrangler-Crawler-Accessory/dp/B0C2JDLMPT>> (Year: 2025).

Car Hood Vent, Air Outlet Wings, Amazon.com, Published Nov. 10, 2023 [Retrieved Aug. 8, 2025]. Retrieved from the Internet <<https://www.amazon.co.uk/Outlet-Dynamic-Bonnet-Grille-Replacement/dp/B0CN3BN1ZT>> (Year: 2023).

* cited by examiner

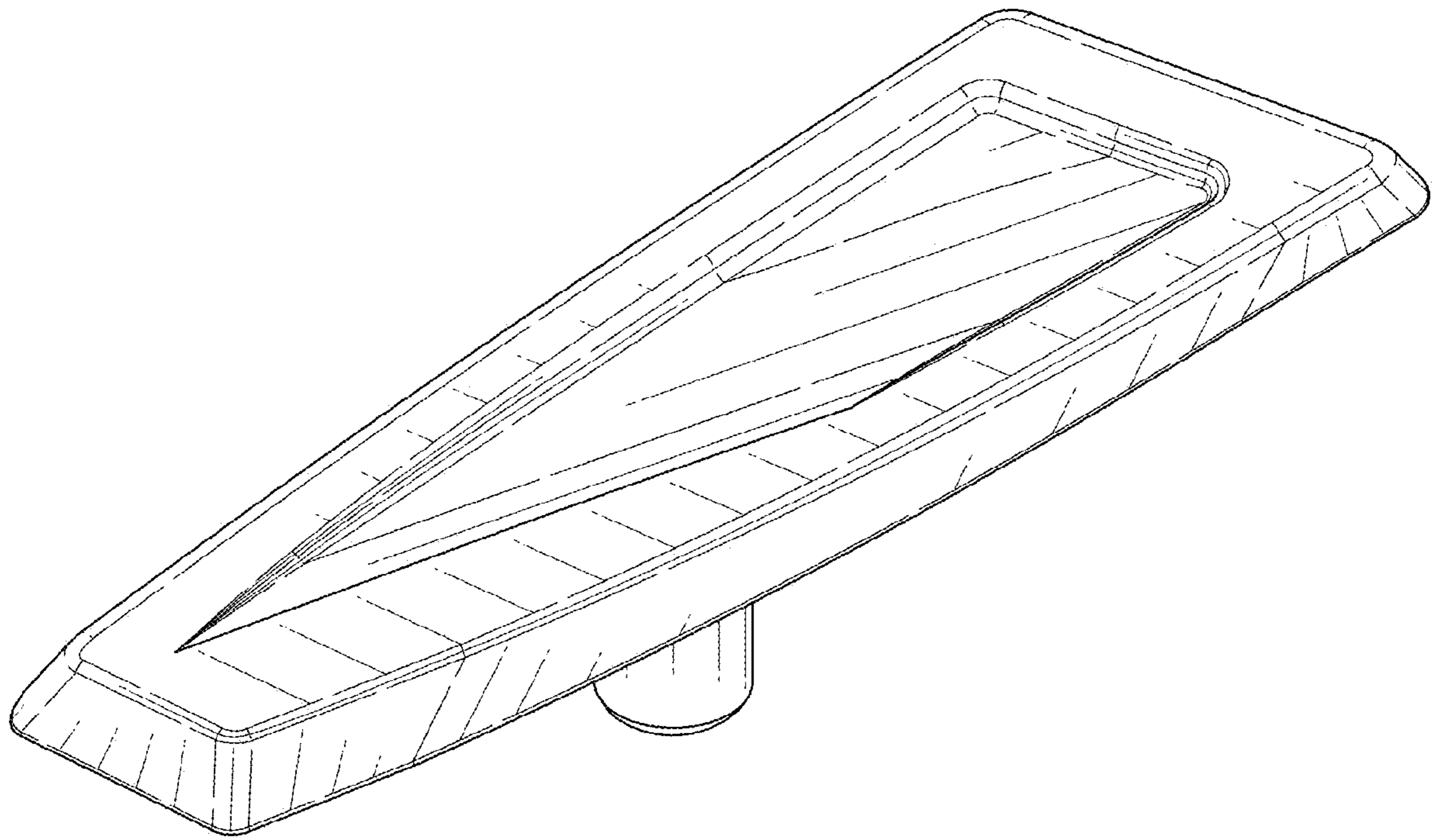


FIG. 1

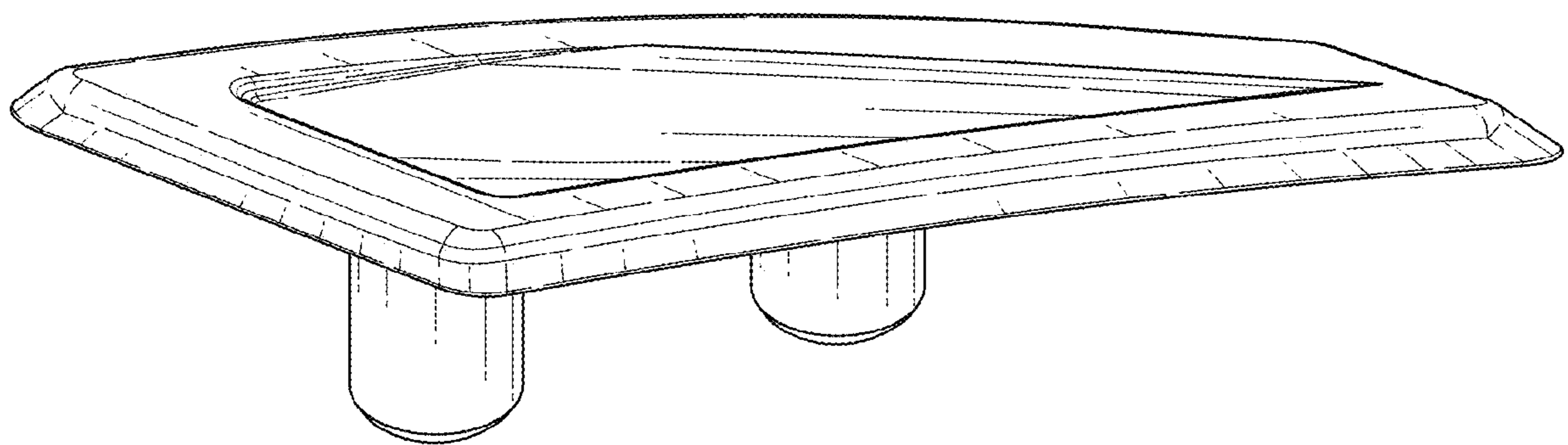


FIG. 2

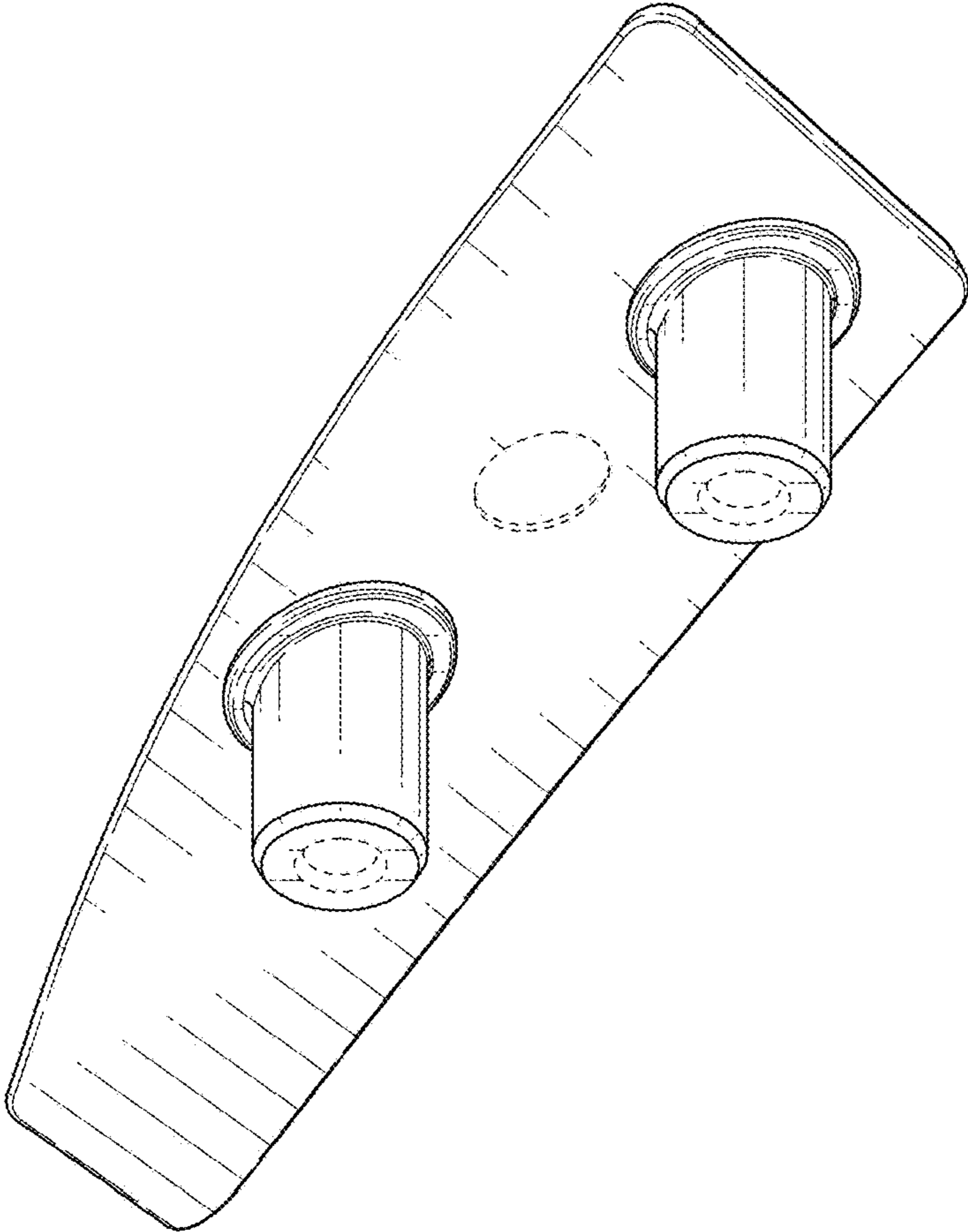


FIG. 3

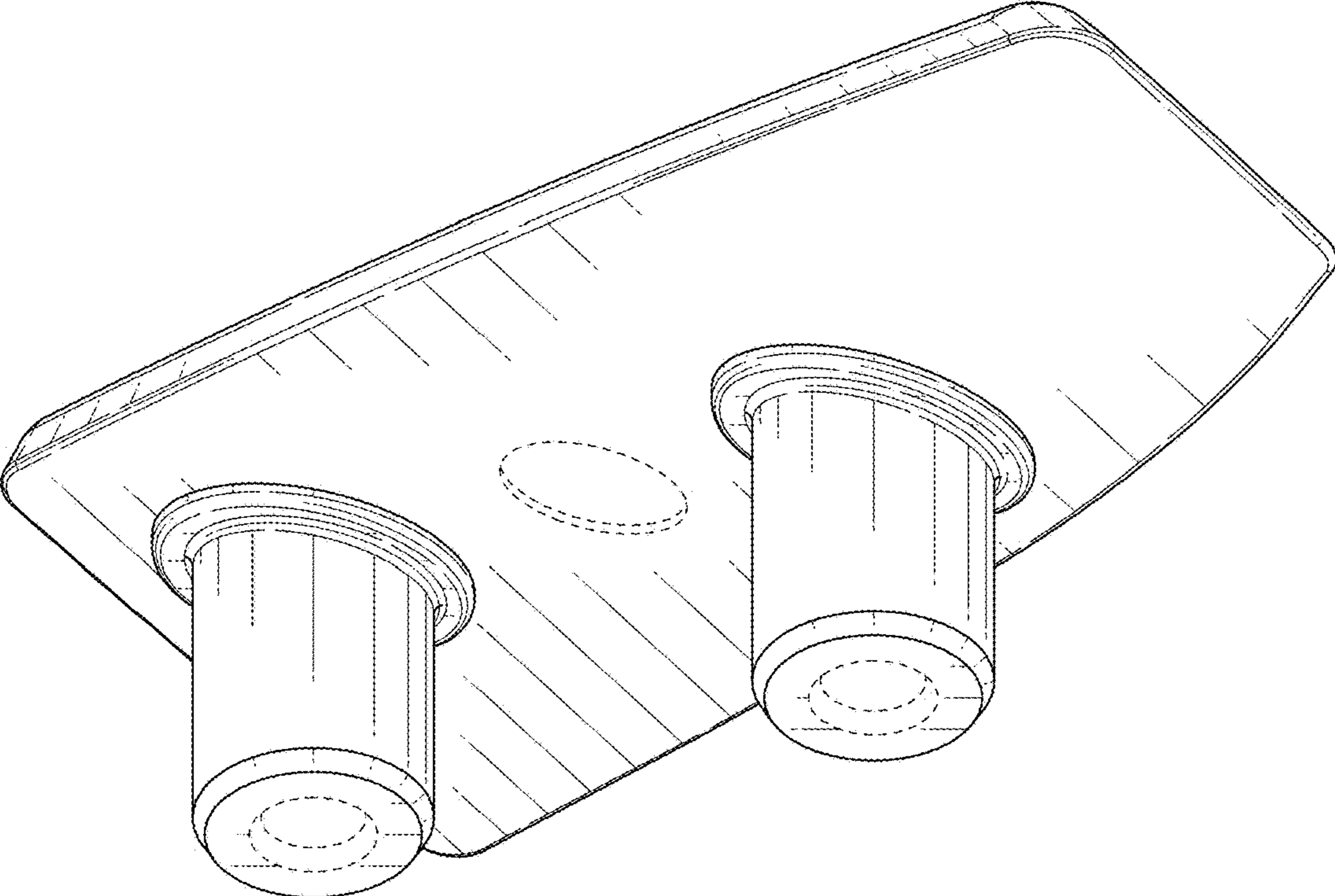


FIG. 4

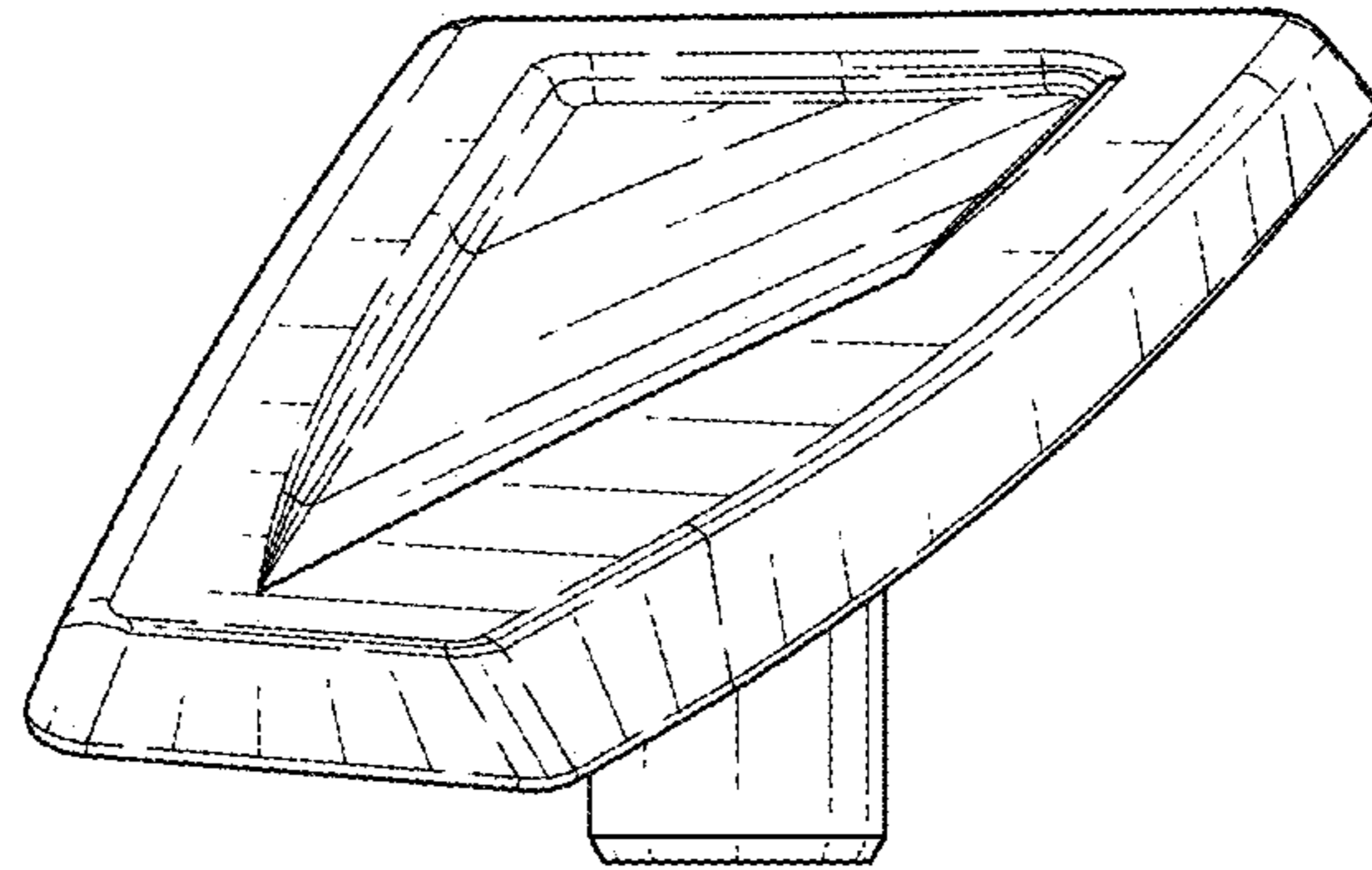


FIG. 5

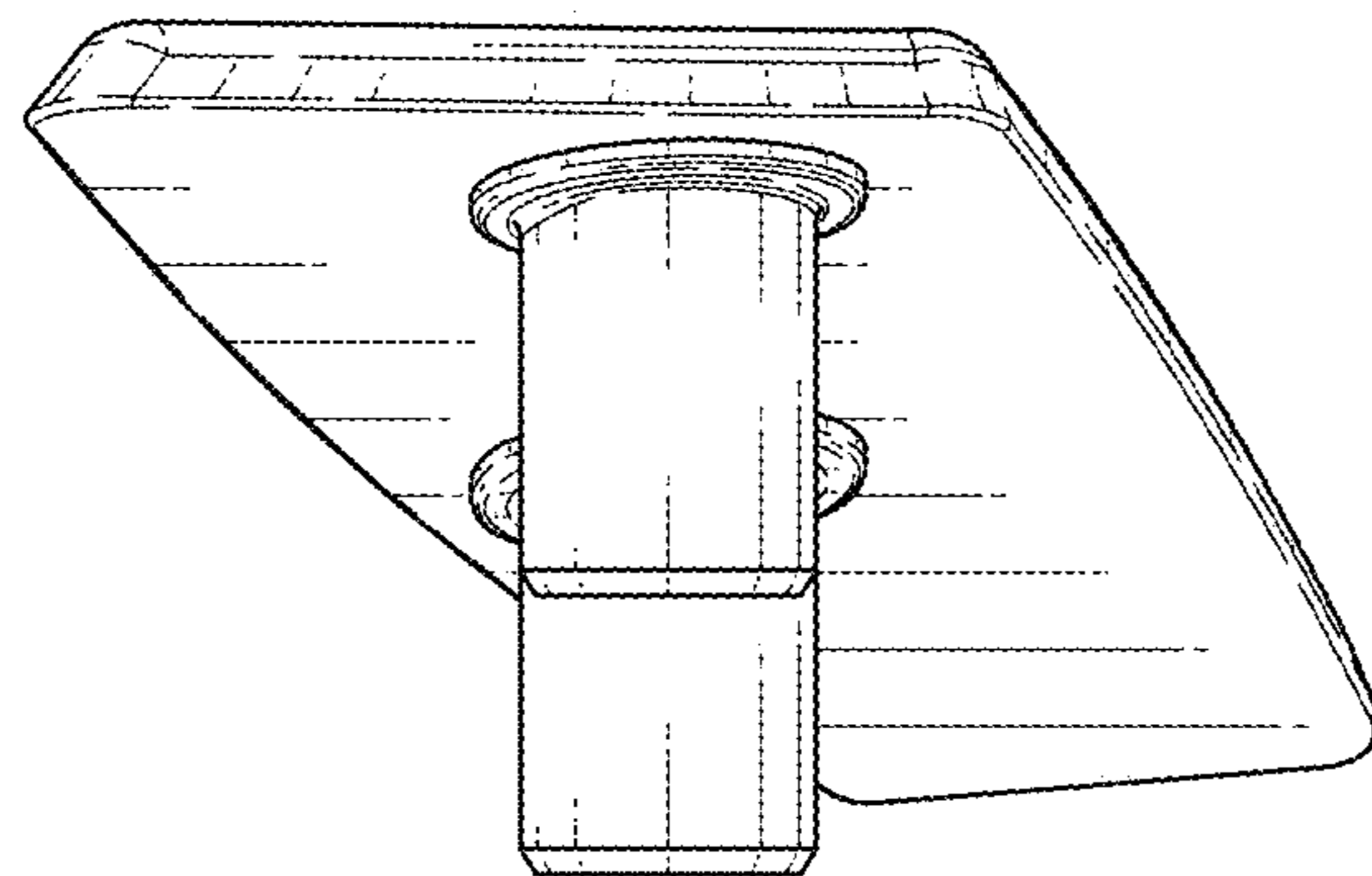


FIG. 6

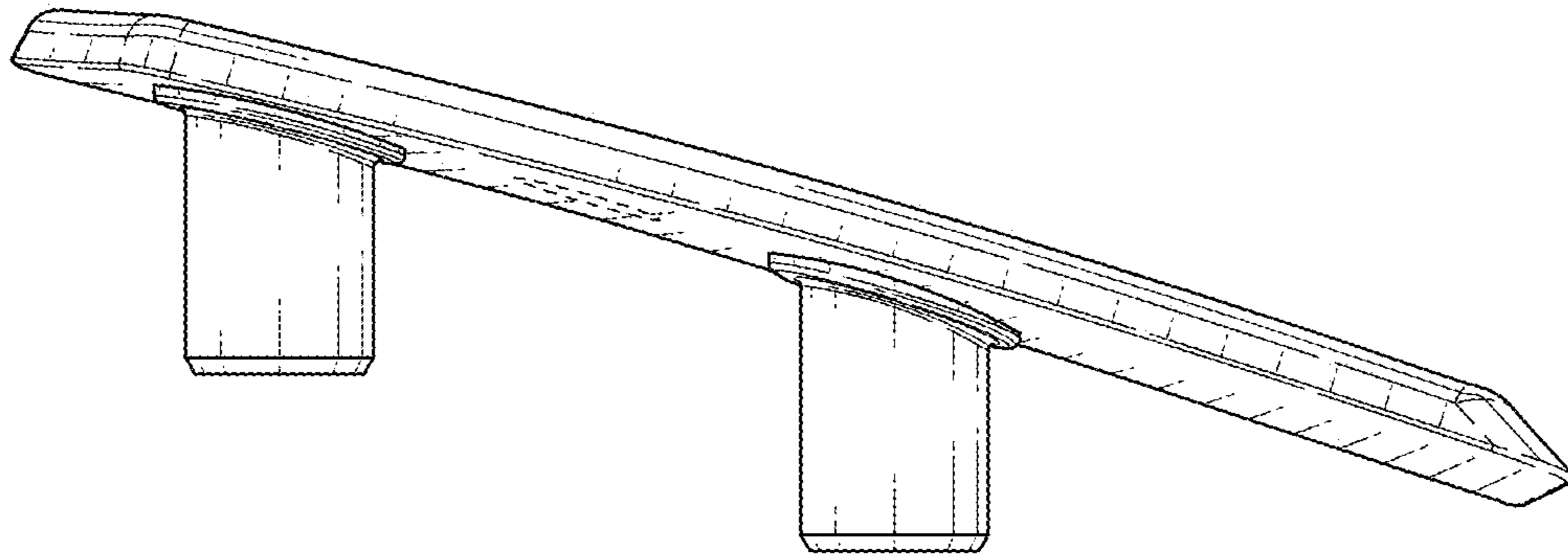


FIG. 7

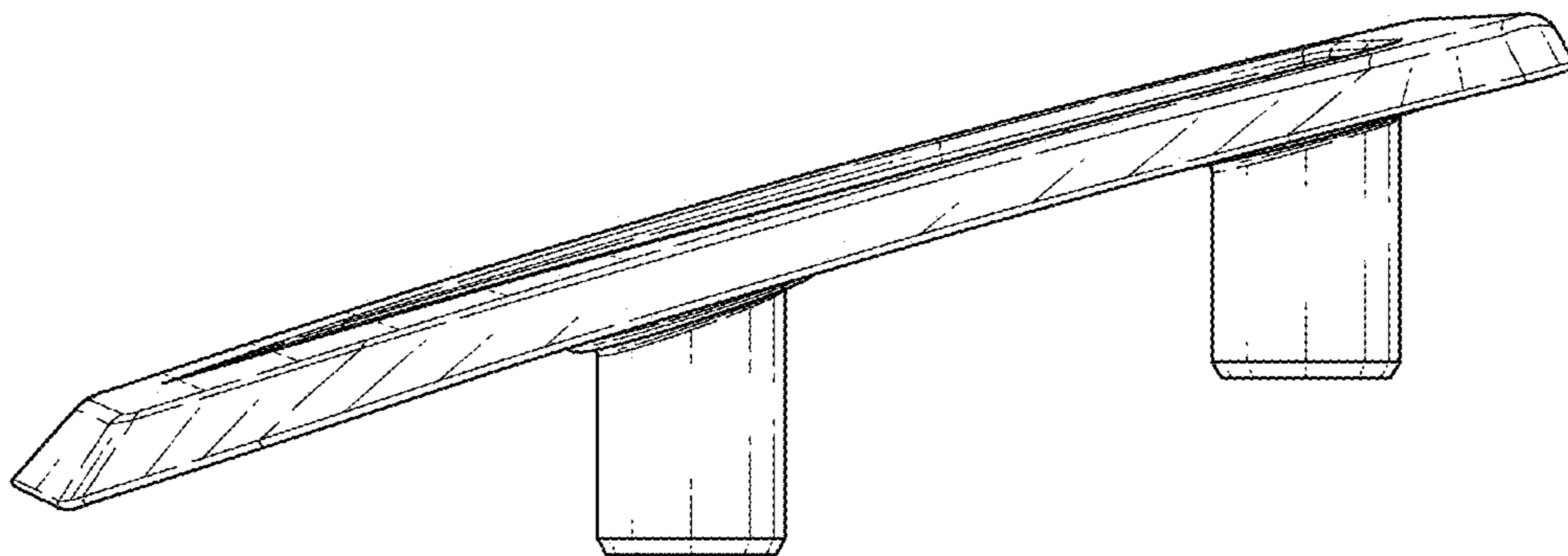


FIG. 8

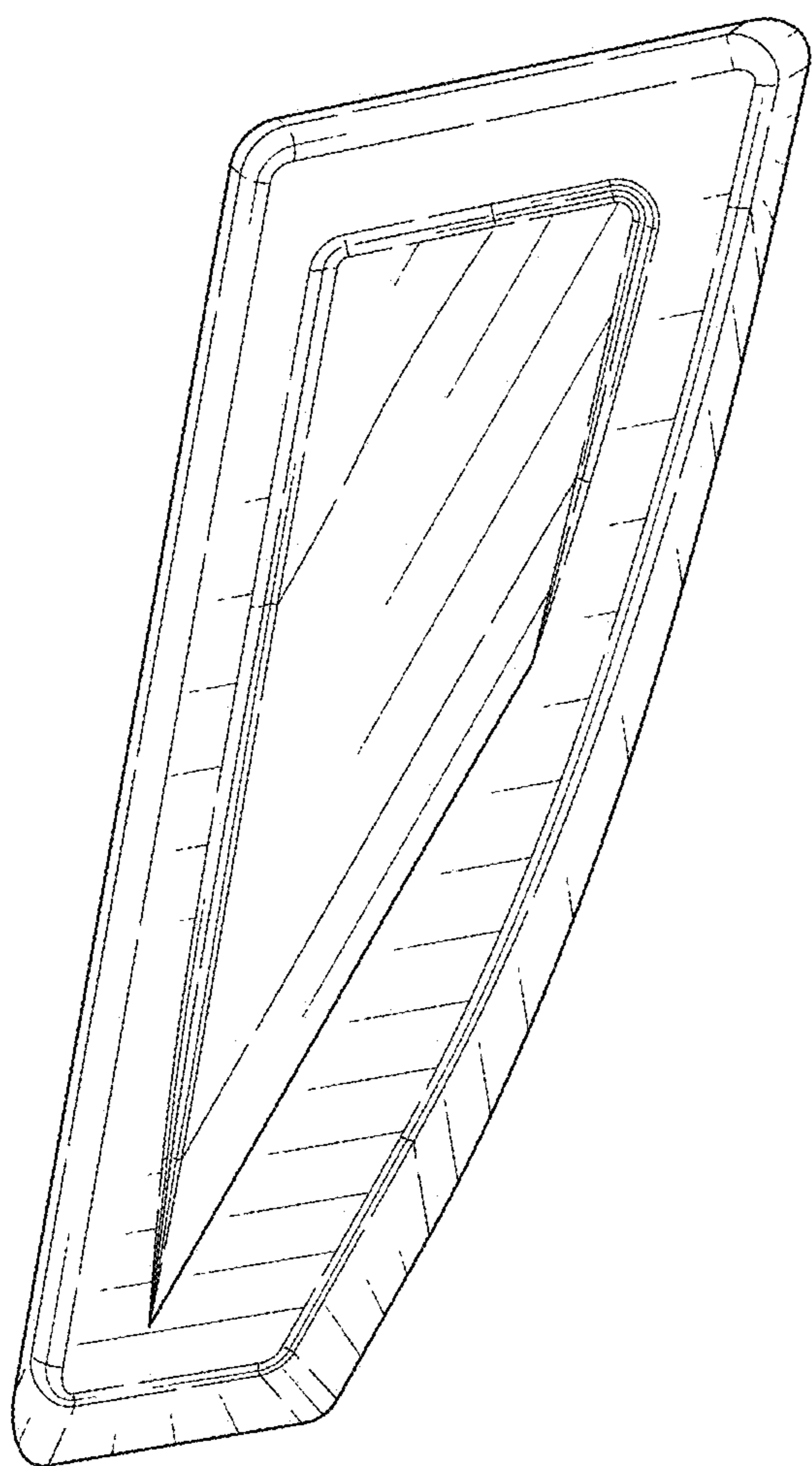


FIG. 9

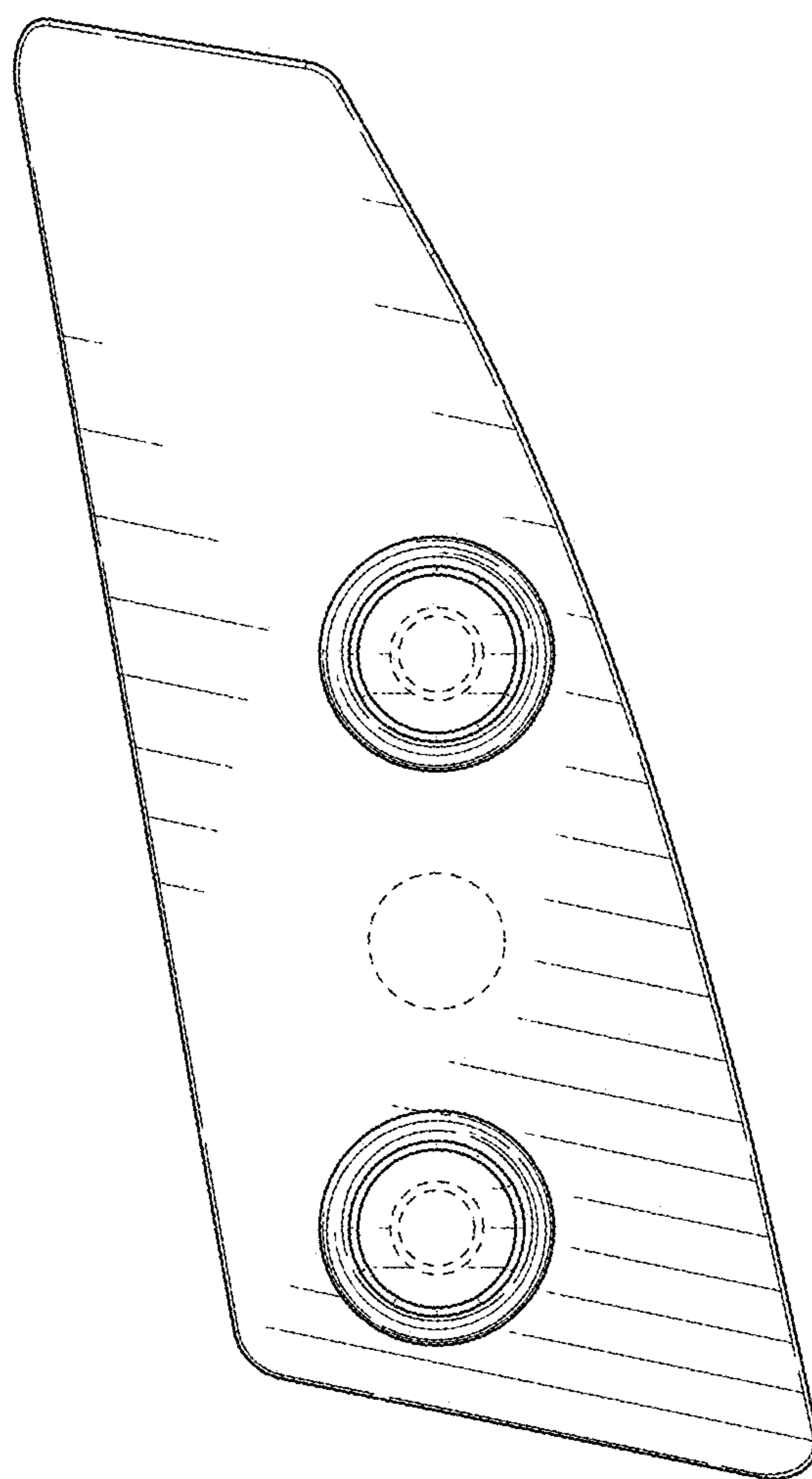


FIG. 10