



US0D1121059S

(12) **United States Design Patent** (10) **Patent No.:** **US D1,121,059 S**
Ewing et al. (45) **Date of Patent:** **** Mar. 31, 2026**

(54) **MODEL VEHICLE WINDOW ASSEMBLY**
(71) Applicant: **TRAXXAS, L.P.**, McKinney, TX (US)
(72) Inventors: **Adam Cole Ewing**, McKinney, TX (US); **Otto Karl Allmendinger**, Rowlett, TX (US); **Caleb Hix**, McKinney, TX (US); **Noah House**, Sachse, TX (US); **Trent Collins**, McKinney, TX (US); **Ross Martin**, Roanoke, TX (US)

(73) Assignee: **TRAXXAS, L.P.**, McKinney, TX (US)

(**) Term: **15 Years**

(21) Appl. No.: **29/894,955**

(22) Filed: **Jun. 15, 2023**

(51) **LOC (15) Cl.** **21-01**

(52) **U.S. Cl.**
USPC **D21/561**

(58) **Field of Classification Search**
USPC D21/424, 427, 433, 434, 483, 533, 548, D21/549, 550, 551, 552, 553, 554, 559, D21/560, 561, 562, 564; D12/83, 87, 88, D12/92, 93, 96, 98, 99, 163, 164, 167, D12/169-172, 182
CPC A63H 19/15; A63H 17/004; A63H 17/00; A63H 17/05; A63H 17/002
See application file for complete search history.

(56) **References Cited**

U.S. PATENT DOCUMENTS

D203,038 S * 11/1965 Wozena D12/91
D203,841 S 2/1966 Power
3,464,153 A 9/1969 Small
3,537,210 A 11/1970 Ieda
D243,595 S 3/1977 Belz
D250,525 S * 12/1978 Snyder D12/404
D251,725 S 5/1979 Cesaro
D253,406 S 11/1979 Carabetta

D254,128 S 2/1980 Carabetta
D254,320 S * 2/1980 Herstein D21/562
D277,494 S 2/1985 Lerch
D281,000 S 10/1985 Kuna et al.

(Continued)

FOREIGN PATENT DOCUMENTS

GB 6332672 * 12/2023

OTHER PUBLICATIONS

Unassembled Body by TRAXXAS, posted date Dec. 22, 2024 [online], [retrieved Feb. 26, 2025]. Retrieved from the internet, <https://www.amazon.com/WHITE-TRX-4M-FORD-F-150-UNASSEMBLED/dp/B0CX7FWK17#customerReviews> (Year: 2024).*

(Continued)

Primary Examiner — Brett Miller

Assistant Examiner — Elisheva Goldsmith

(74) *Attorney, Agent, or Firm* — Daryl R. Wright; Greg Carr

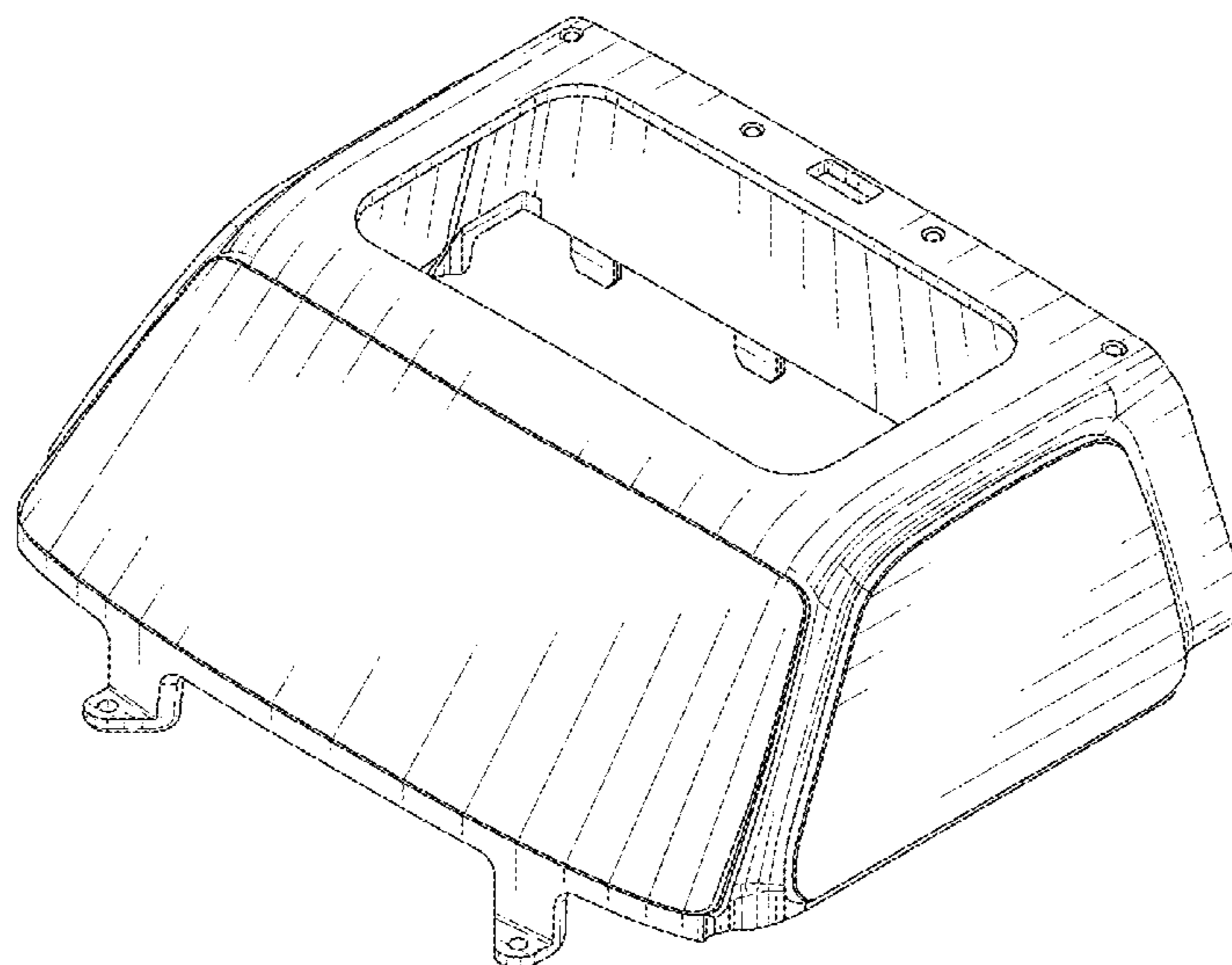
(57) **CLAIM**

The ornamental design for a model vehicle window assembly as shown and described.

DESCRIPTION

FIG. 1 is an upper, left, front perspective view of a model vehicle window assembly showing our new design; FIG. 2 is a front elevation view thereof; FIG. 3 is a rear elevation view thereof; FIG. 4 is a right-side elevation view thereof; FIG. 5 is a left-side elevation view thereof; FIG. 6 is an upper plan view thereof; FIG. 7 is a lower plan view thereof; FIG. 8 is an upper, right, rear perspective view thereof; FIG. 9 is a lower, right, front perspective view thereof; and, FIG. 10 is a lower, left, rear perspective view of the model vehicle window assembly.

1 Claim, 7 Drawing Sheets



(56)

References Cited

U.S. PATENT DOCUMENTS

D288,681 S 3/1987 Telnack
 D293,310 S 12/1987 Clark et al.
 D293,564 S 1/1988 Mayhew et al.
 D306,153 S * 2/1990 Haugestad D12/183
 D307,248 S 4/1990 Dettling
 D311,165 S * 10/1990 Moore D12/403
 5,102,367 A 4/1992 Mullaney et al.
 D326,441 S * 5/1992 Rogers D12/404
 5,228,880 A 7/1993 Meyer et al.
 5,334,078 A 8/1994 Hippely et al.
 D385,245 S 10/1997 Gallitzendoerfer et al.
 D387,029 S * 12/1997 Heinemann D12/404
 D404,691 S 1/1999 Gerisch et al.
 D425,141 S 5/2000 Park
 D458,188 S 6/2002 Wyszogrod et al.
 D458,893 S * 6/2002 Soldatelli D12/404
 D466,451 S 12/2002 Trostle et al.
 D489,673 S * 5/2004 Block D12/404
 D496,409 S 9/2004 Tilbor
 D529,967 S 10/2006 Bowen et al.
 D538,861 S 3/2007 Takahashi
 7,217,170 B2 5/2007 Moll et al.
 D547,249 S 7/2007 Kurtz et al.
 D550,311 S 9/2007 Chen
 D566,788 S 4/2008 Pasko
 D566,789 S 4/2008 Idiot
 D566,790 S 4/2008 Idiot
 D567,301 S 4/2008 Idiot
 7,387,558 B2 6/2008 Swisher et al.
 D579,823 S 11/2008 Choi
 D592,256 S 5/2009 Yaguchi
 D593,163 S 5/2009 Torres et al.
 D598,811 S 8/2009 Honeycutt et al.
 D603,295 S 11/2009 Honeycutt et al.
 D605,083 S 12/2009 Manoogian, II et al.
 D612,767 S 3/2010 Barkan
 D617,851 S 6/2010 Stoddard
 D630,971 S 1/2011 Jung
 D671,454 S 11/2012 Davidson et al.
 8,342,904 B2 1/2013 Torres
 D693,737 S 11/2013 Hammoud et al.
 D703,101 S 4/2014 Denatale et al.
 D707,608 S 6/2014 Smith
 D709,007 S 7/2014 Henry et al.
 D709,008 S 7/2014 Brzustowicz et al.
 D709,009 S 7/2014 Brzustowicz et al.
 D728,037 S 4/2015 Barajas et al.
 D740,180 S 10/2015 Agnew et al.
 D740,181 S 10/2015 Agnew et al.
 D741,416 S 10/2015 Barajas et al.
 D741,956 S 10/2015 Barajas et al.
 D764,983 S * 8/2016 Platto D12/164
 D769,378 S 10/2016 Belker et al.
 D770,339 S 11/2016 Lindsey
 D770,350 S 11/2016 Lindsey
 D770,575 S 11/2016 Belker et al.
 D771,202 S 11/2016 Gan
 D771,203 S 11/2016 Gan

D792,526 S 7/2017 Belker et al.
 D802,685 S 11/2017 Barajas et al.
 D813,766 S * 3/2018 Woodhouse D12/182
 D826,341 S 8/2018 Poteet et al.
 D826,342 S 8/2018 Poteet et al.
 D826,343 S 8/2018 Poteet et al.
 D827,056 S 8/2018 Poteet et al.
 D832,368 S 10/2018 Barajas et al.
 D841,743 S 2/2019 Barajas et al.
 D842,386 S 3/2019 Barajas et al.
 D842,387 S 3/2019 Barajas et al.
 D847,724 S 5/2019 Sprowl et al.
 D862,610 S 10/2019 Barajas et al.
 D862,611 S 10/2019 Barajas et al.
 D865,569 S 11/2019 Jeung et al.
 D869,570 S 12/2019 Barajas
 D870,211 S 12/2019 Wozniak
 D870,824 S 12/2019 Barajas et al.
 D875,647 S 2/2020 Barajas et al.
 D876,555 S 2/2020 Barajas et al.
 D879,212 S 3/2020 Barajas et al.
 D904,531 S 12/2020 Barajas et al.
 D930,087 S 9/2021 Barajas et al.
 D930,760 S 9/2021 Ewing et al.
 D1,052,008 S * 11/2024 Ewing D21/562
 2015/0102626 A1 * 4/2015 Jozwiak B60S 1/349
 15/250.352
 2019/0160386 A1 5/2019 Kwan

OTHER PUBLICATIONS

Hot Wheels Skull Crusher Diecast Toy Car-Race Vehicle by Mattell-Auto Racing Toys Cars Collection, Feb. 22, 2012, [online], [Retrieved on Aug. 10, 2015] URL: <https://www.youtube.com/watch?v=fR1BWC9bqzM>.
 PROTOform; Protoform Ford GT 2017; <http://racepf.com/on-road-1-10-1-12/ford-gt-clear-body/>; Sep. 2016.
 Monster truck 3d model, Earliest Available Date Sep. 20, 2019 [Online], [Site Visited Oct. 20, 2020] Available From Internet, URL: <https://www.turbosquid.com/3d-models/monster-truck-3d-model/488288> (Year: 2019).
 Pro-Line Trencher LP 3.8" All Terrain Tires Mounted, Earliest Available Date Oct. 20, 2020 [Online], [Site Visited Oct. 20, 2020] Available From Internet, URL: https://www.rccaraction.com/pro-line-trencher-lp-3-8-terrain-tires-mounted/#visitor_pref_pop (Year: 2020).
 Redcat Racing R180-BL Rock Crawler Body, May 1, 2015, amazon.com, Sep. 23, 2021, URL: https://www.amazon.com/Redcat-Racing-Rock-Crawler-Scale/dp/B00YBXN5YK/ref=psdc_6925967011_t1_B00N1P7GJE (Year: 2015).
 Hosim RC Car Body Shell Cover SJ02 15-SJ02 for Gptoys High Speed Monster Truck, Nov. 1, 2016, amazon.com, Sep. 23, 2021, URL: <https://www.amazon.com/15-SJ02-GPTOYS-Monster-Accessory-Supplies/dp/B0140S88TW> (Year: 2016).
 Redcat Racing 88030 Truck Body, 1/10 Scale, Nov. 4, 2009, amazon.com, URL: <https://www.amazon.com/Redcat-Racing-Truck-Scale-Black/dp/B002VN41WC> (Year: 2009).

* cited by examiner

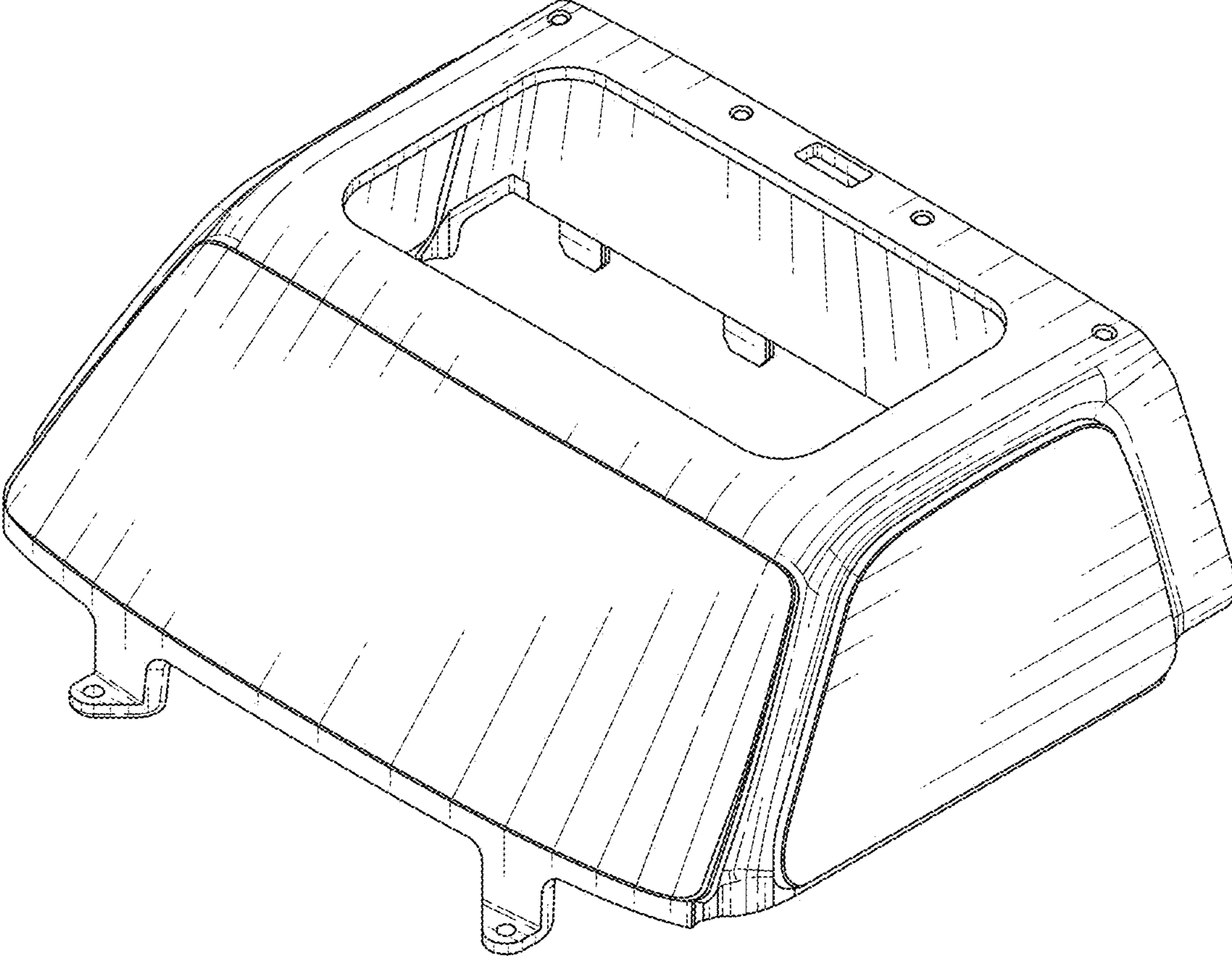


FIG. 1

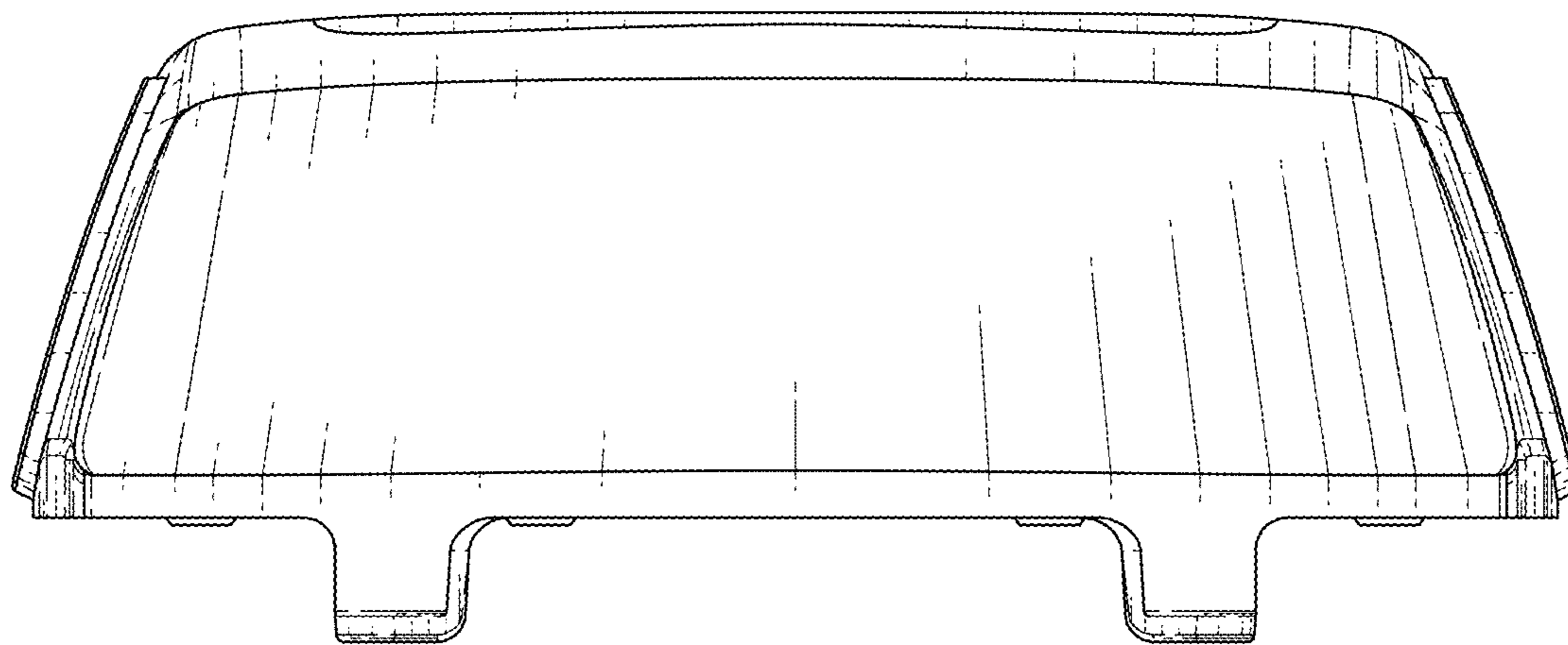


FIG. 2

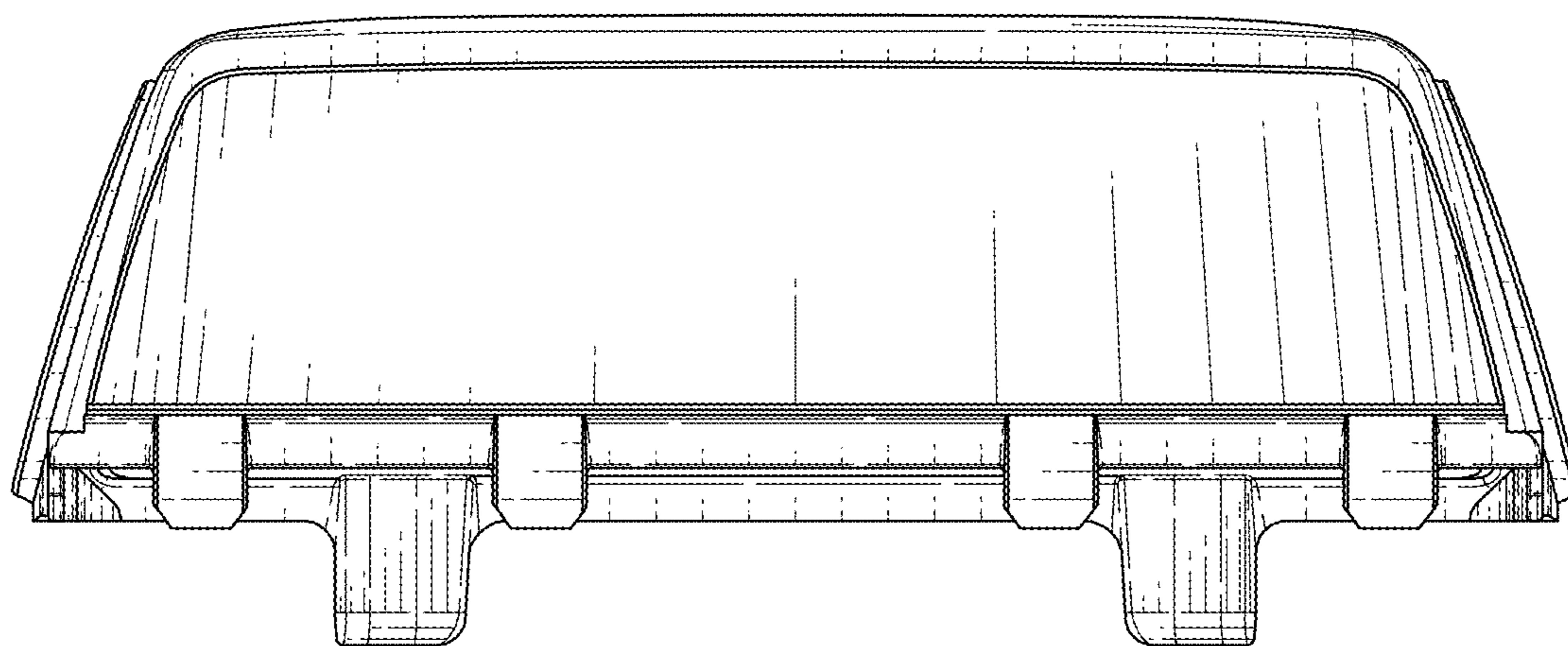


FIG. 3

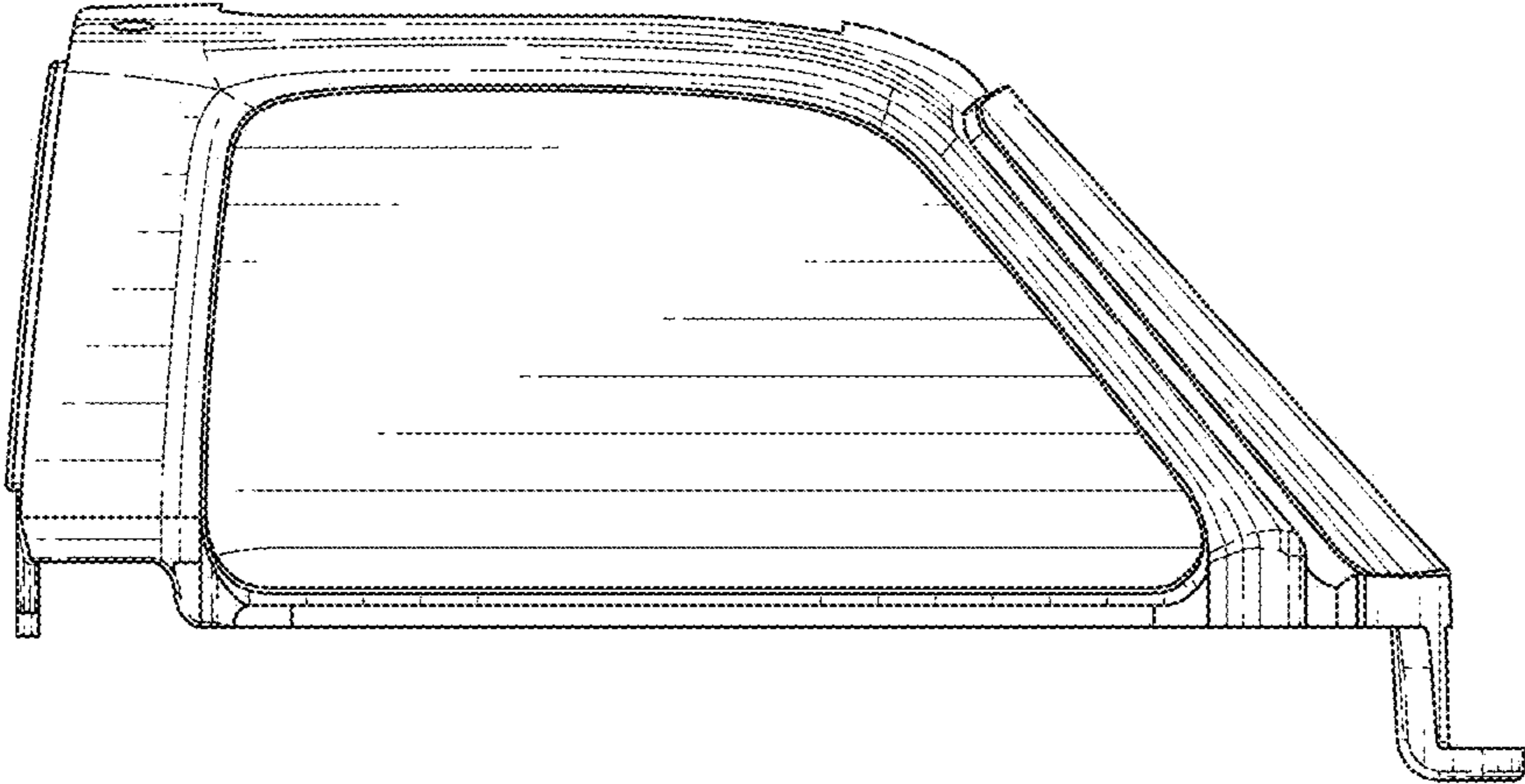


FIG. 4

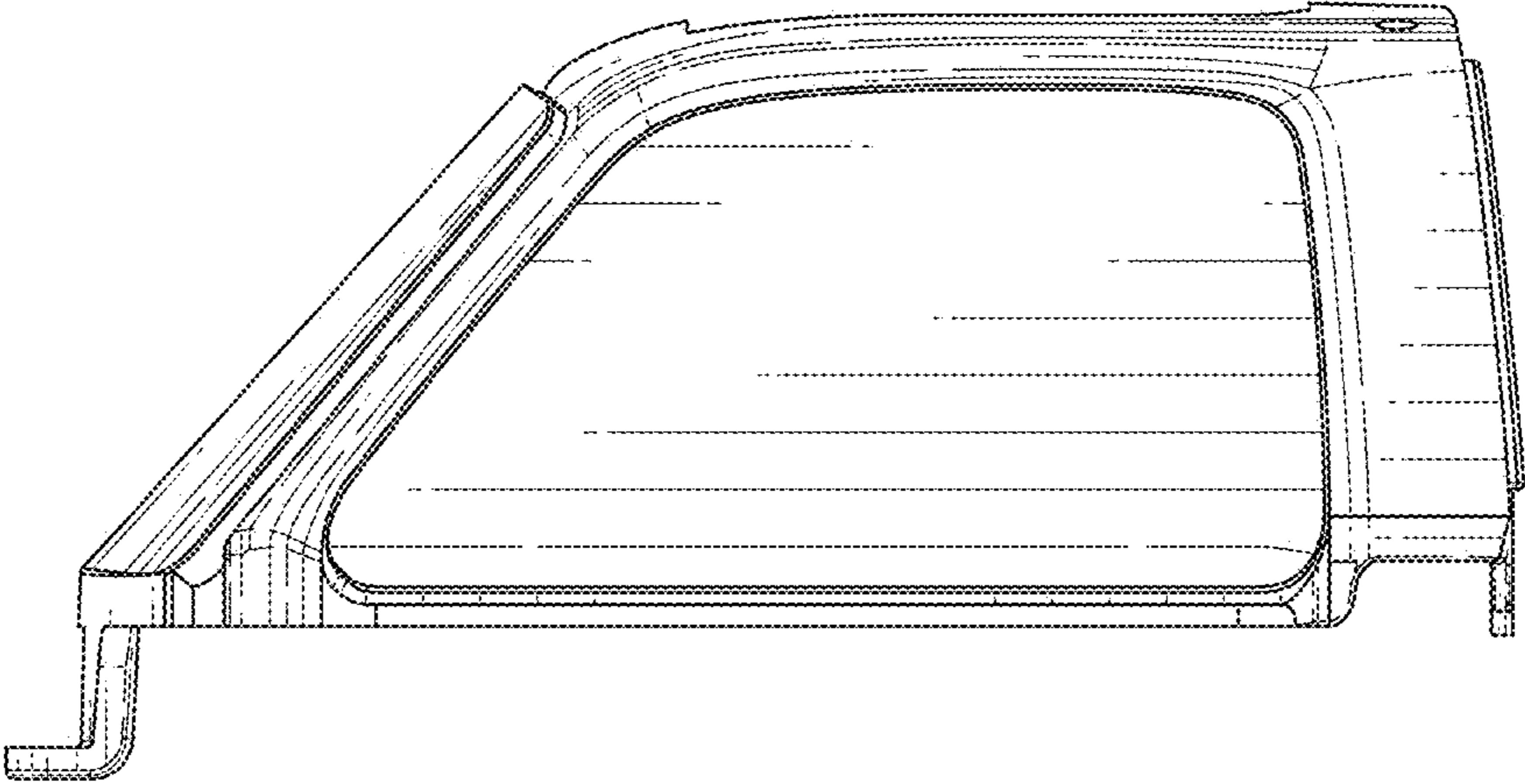


FIG. 5

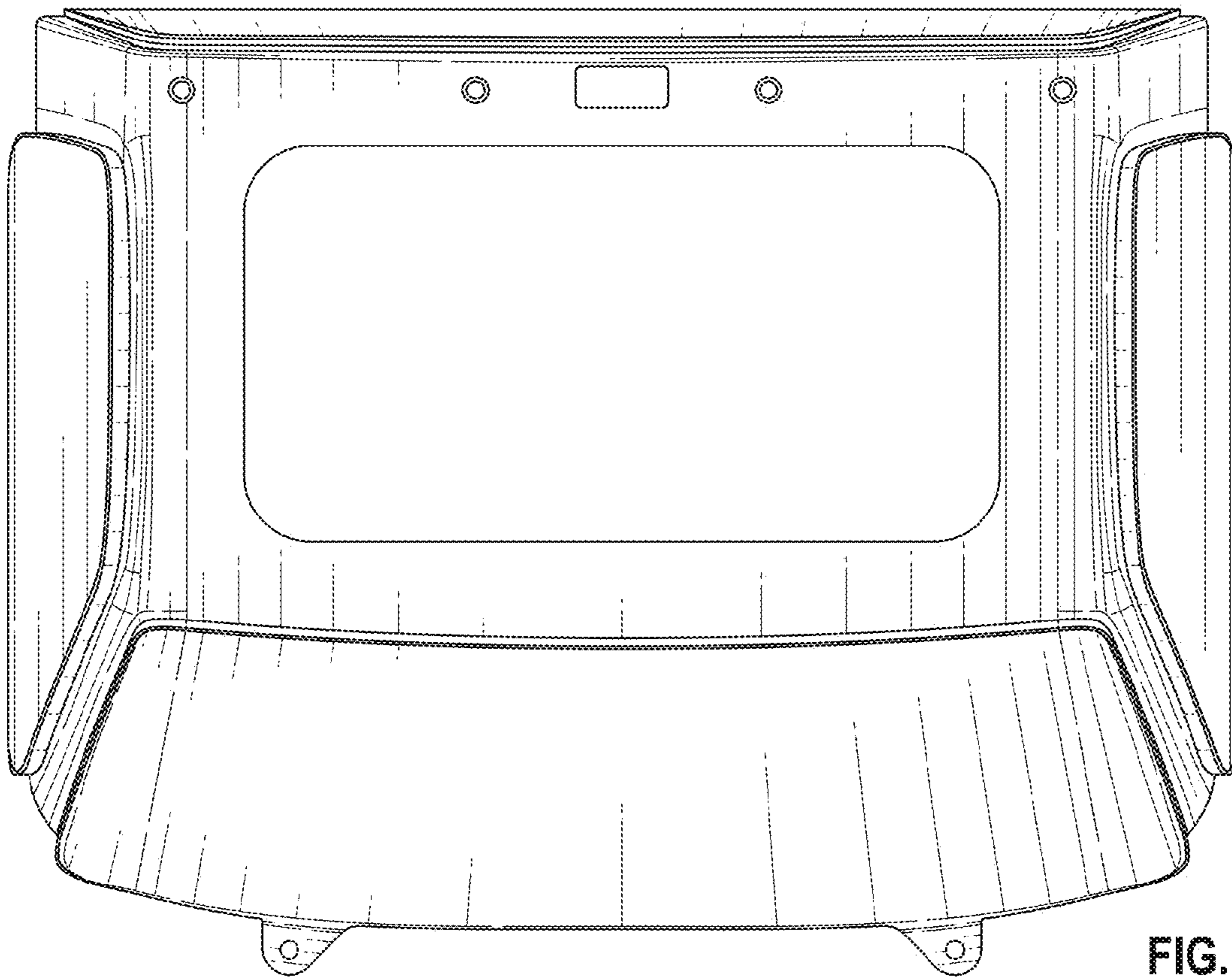


FIG. 6

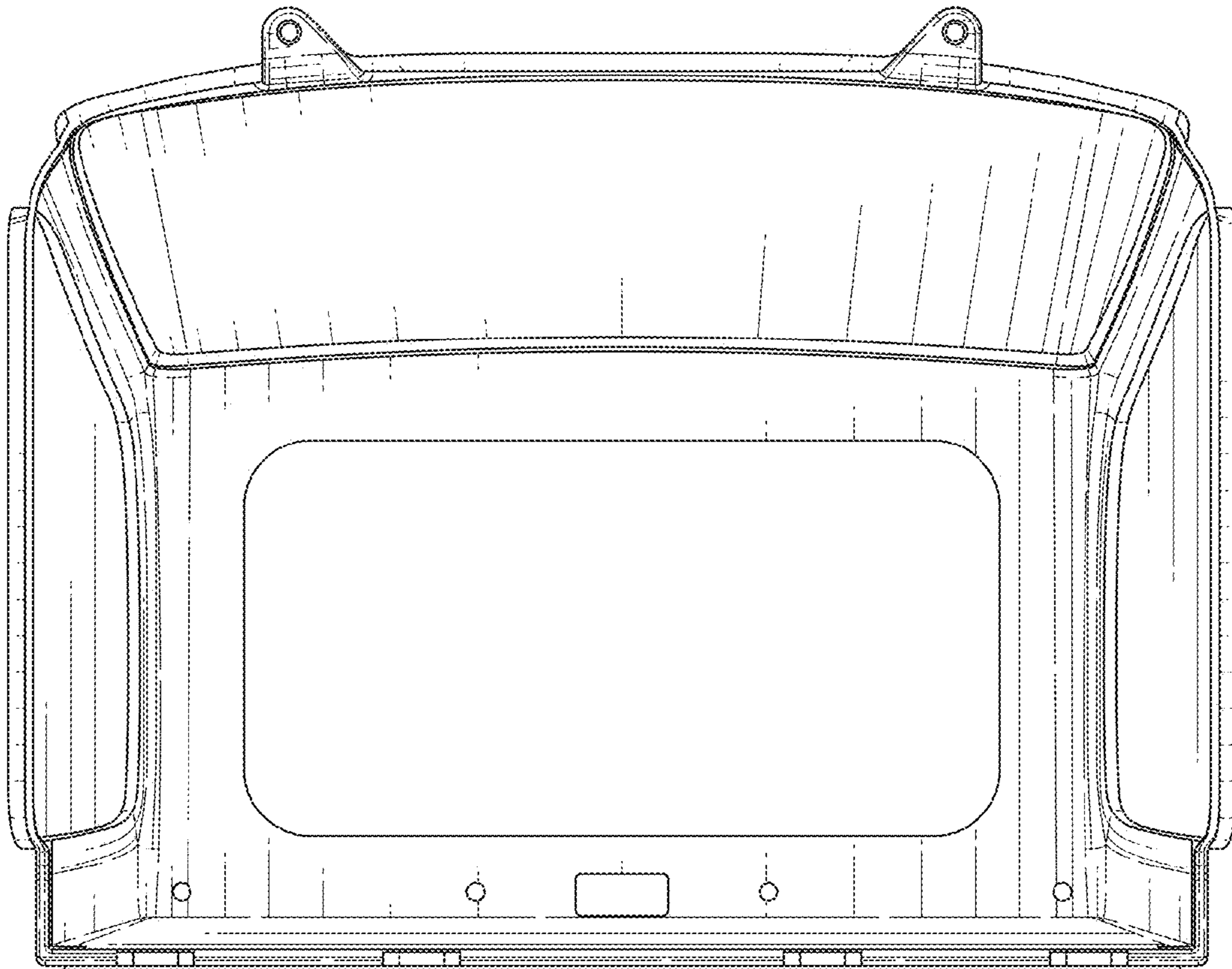


FIG. 7

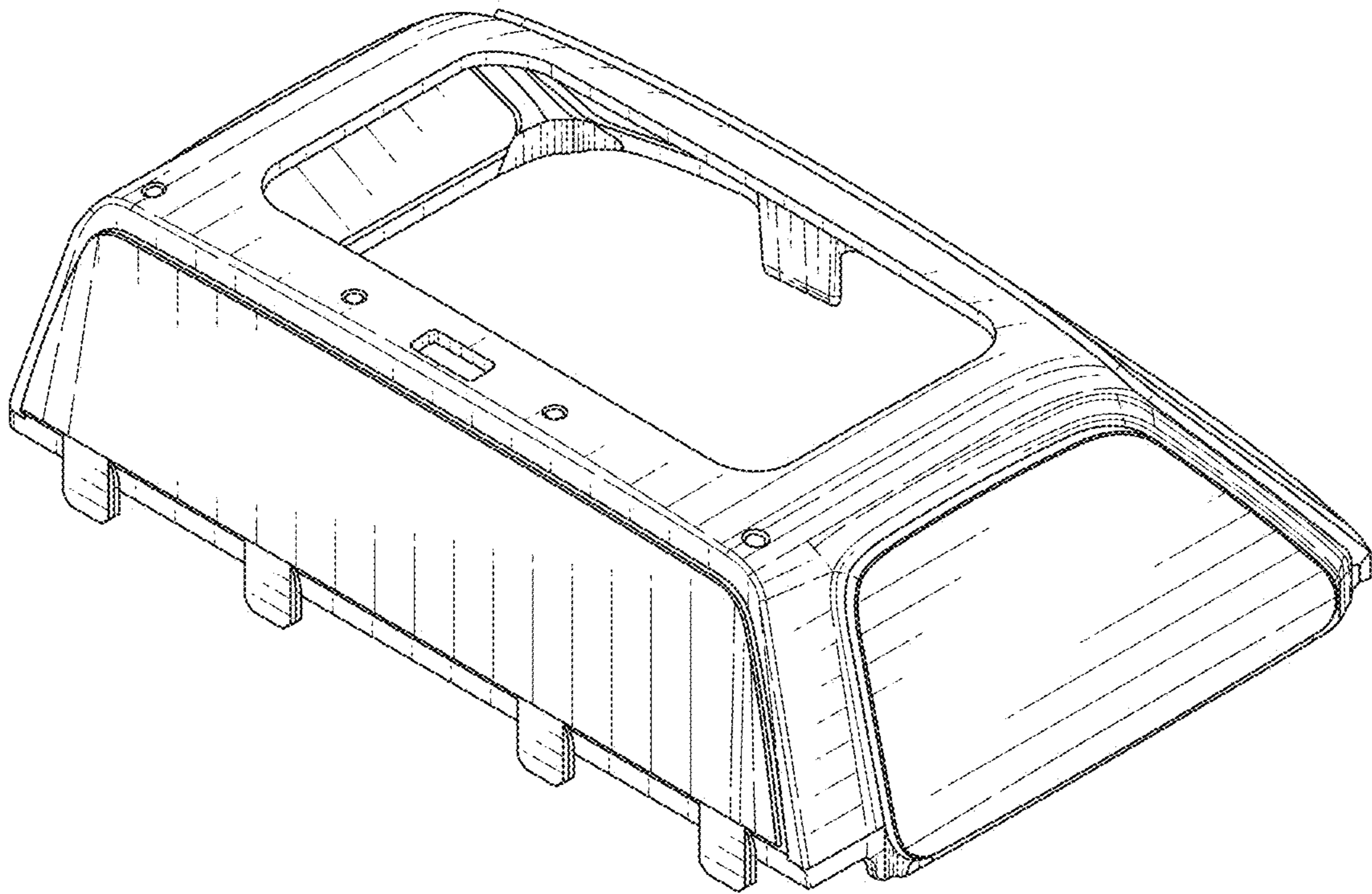


FIG. 8

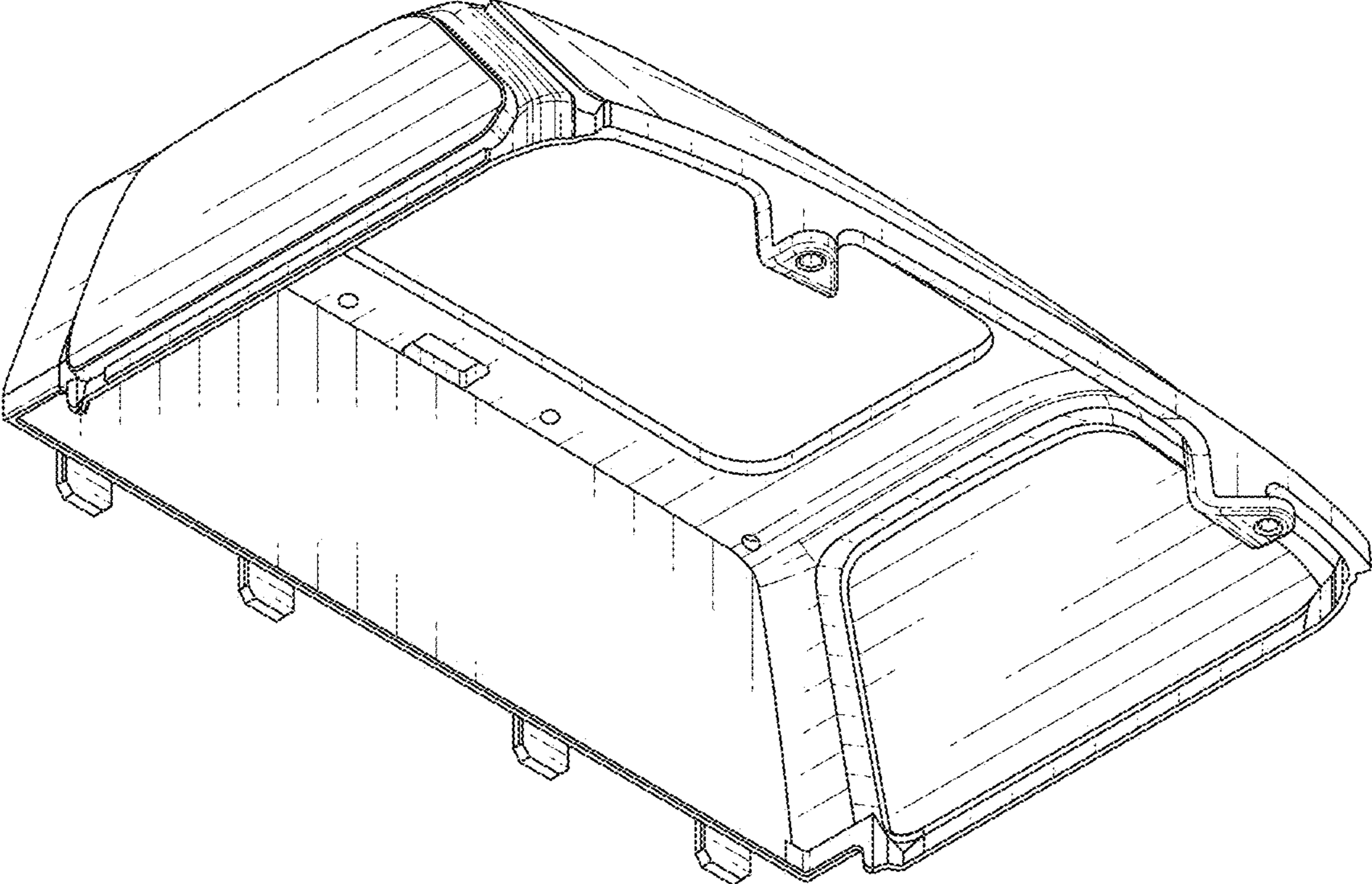


FIG. 9

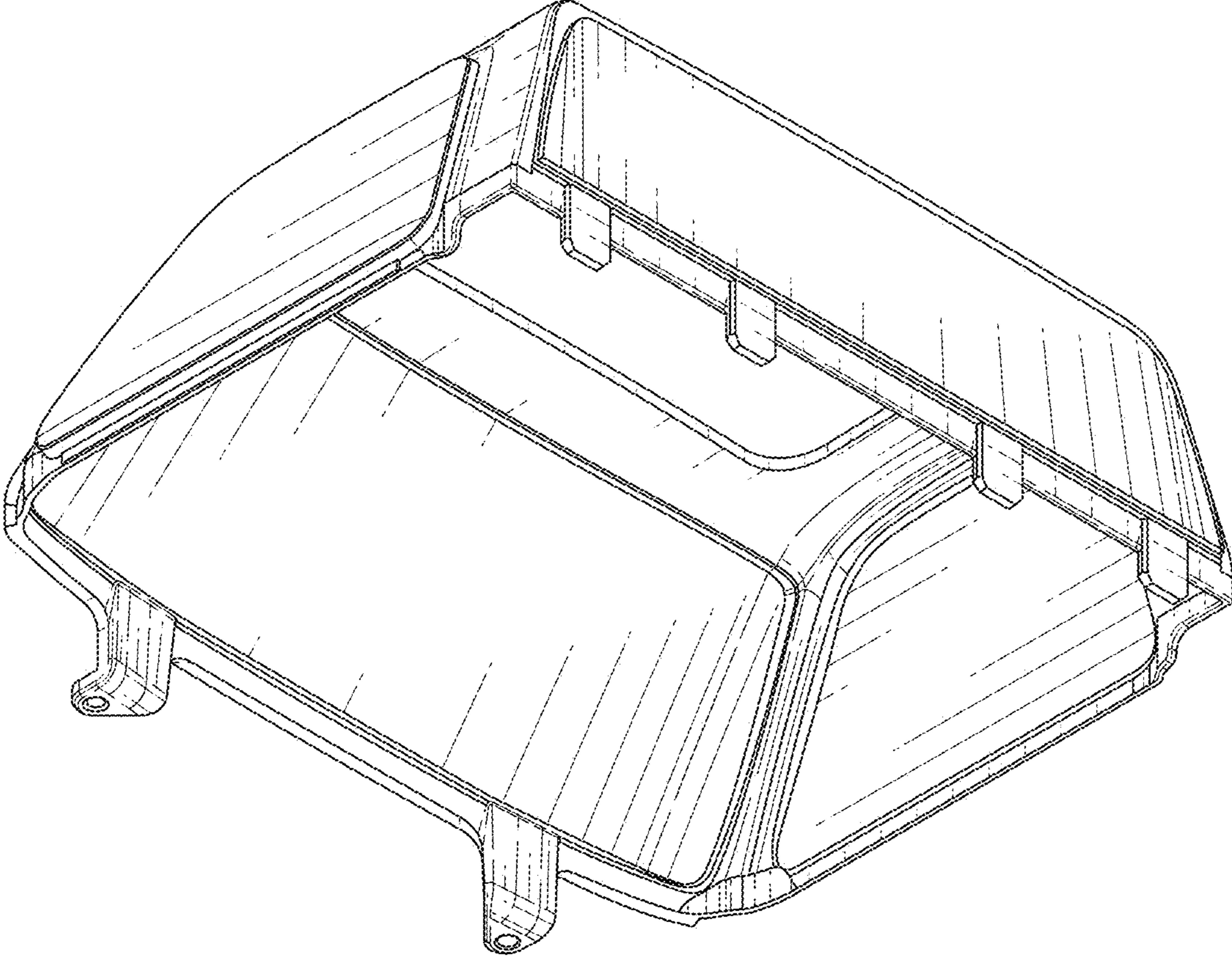


FIG. 10