



US0D1120837S

(12) **United States Design Patent** (10) **Patent No.:** **US D1,120,837 S**
Perez et al. (45) **Date of Patent:** **** Mar. 31, 2026**

(54) **MODEL VEHICLE HOOD VENT**

OTHER PUBLICATIONS

- (71) Applicant: **TRAXXAS, L.P.**, McKinney, TX (US)
- (72) Inventors: **Randy Perez**, McKinney, TX (US); **Terry Soward**, Van Alstyne, TX (US); **Kent Poteet**, Lucas, TX (US); **Adam Cole Ewing**, McKinney, TX (US); **Otto Karl Allmendinger**, Rowlett, TX (US); **Caleb Hix**, McKinney, TX (US); **Jaime Felix Barajas**, Dallas, TX (US)
- (73) Assignee: **TRAXXAS, L.P.**, McKinney, TX (US)
- (**) Term: **15 Years**

amazon.com, Car Hood Vent, Air Outlet Wings, published Nov. 10, 2023 [retrieved Aug. 8, 2025]. Retrieved from the internet<https://www.amazon.co.uk/Outlet-Dynamic-Bonnet-Grille-Replacement/dp/B0CN3BN1ZT> (Year: 2023).*

(Continued)

Primary Examiner — Joseph Kukella

Assistant Examiner — Lavon M. Amerson

(74) *Attorney, Agent, or Firm* — Daryl R. Wright; Greg Carr

- (21) Appl. No.: **29/944,775**
- (22) Filed: **May 30, 2024**
- (51) **LOC (15) Cl.** **12-08**
- (52) **U.S. Cl.**
USPC **D12/190**
- (58) **Field of Classification Search**
USPC D12/164, 167, 171–172, 181, 196
CPC .. B60H 1/34; B64G 1/46; B60J 10/242; B60J 7/0435; B60J 7/0046
See application file for complete search history.

(57) **CLAIM**

The ornamental design for a model vehicle hood vent as shown and described.

(56) **References Cited**

U.S. PATENT DOCUMENTS

D342,011 S	12/1993	Maguire	
D373,370 S	9/1996	Anthony	
D399,730 S	10/1998	Pitre	
D429,254 S	8/2000	Bisschop	
D479,793 S	9/2003	Jones	
D495,116 S	8/2004	Trocme	
D497,860 S *	11/2004	Hoelzel D12/196
D522,307 S	6/2006	Mariani et al.	

(Continued)

FOREIGN PATENT DOCUMENTS

AT	167/2006	*	5/2006
AU	202513208	*	6/2025

(Continued)

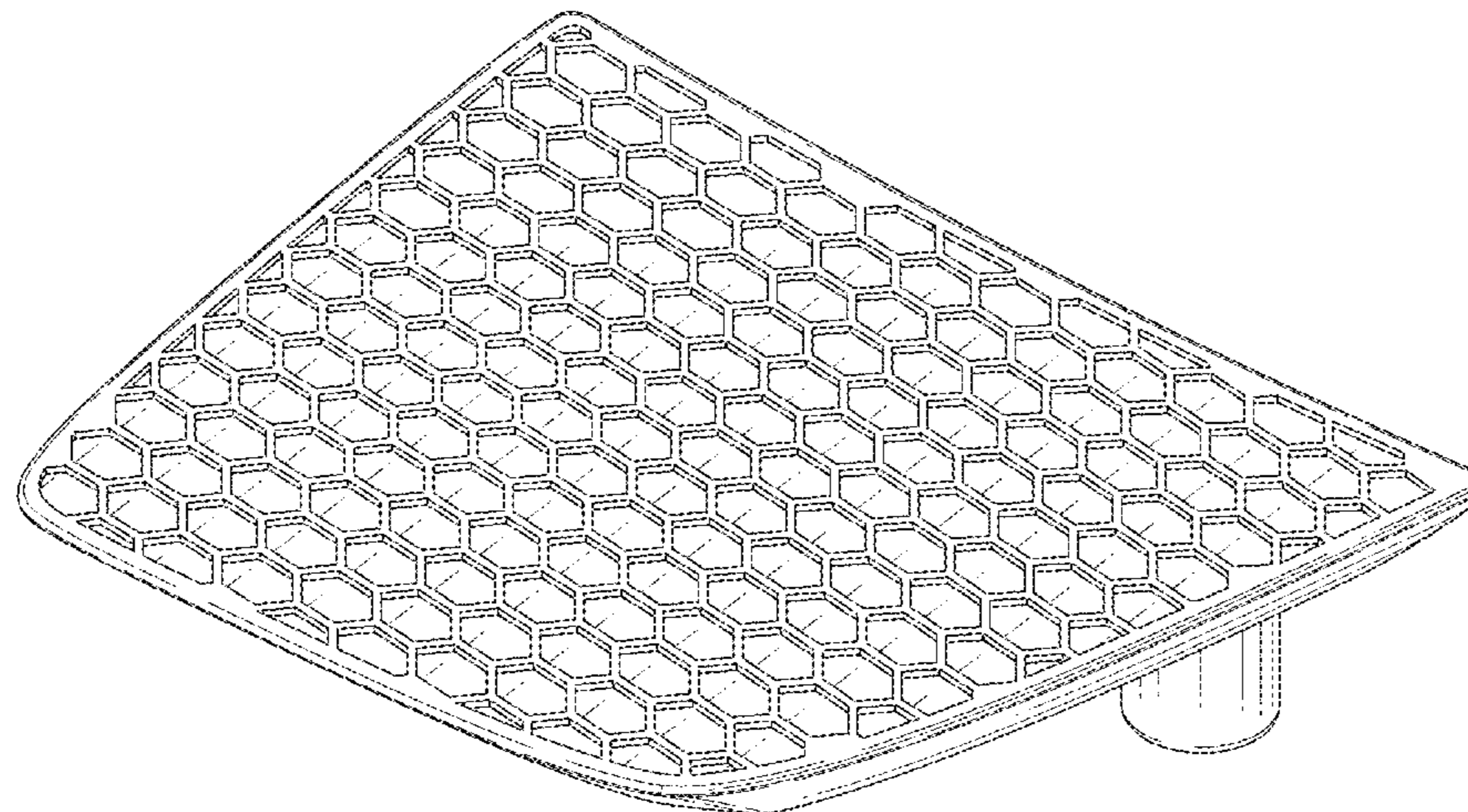
DESCRIPTION

FIG. 1 is an upper, left, front perspective view of a model vehicle hood vent showing our new design; FIG. 2 is an upper, right, rear perspective view thereof; FIG. 3 is a lower, right, front perspective view thereof; FIG. 4 is a lower, left, rear perspective view thereof; FIG. 5 is a front elevation view thereof; FIG. 6 is a rear elevation view thereof; FIG. 7 is an upper plan view thereof; FIG. 8 is a lower plan view thereof; FIG. 9 is a right-side elevation view thereof; and, FIG. 10 is a left-side elevation view of the model vehicle hood vent.

In the drawings, the broken lines illustrate portions of the model vehicle hood vent that form no part of the claimed design.

Only the left-side model vehicle hood vent is shown. The right-side model vehicle hood vent is a mirror image of the shown model vehicle hood vent.

1 Claim, 7 Drawing Sheets



(56)

References Cited

U.S. PATENT DOCUMENTS

D540,228 S * 4/2007 Lai D12/196
 D540,229 S * 4/2007 Lai D12/196
 D566,022 S * 4/2008 Johnson D12/190
 D592,377 S 5/2009 Lee
 D609,149 S * 2/2010 Larson D12/181
 D641,527 S 7/2011 Regnier et al.
 D654,937 S 2/2012 Fader et al.
 D663,664 S * 7/2012 Huntzinger D12/196
 D678,152 S 3/2013 Behmer et al.
 D682,225 S 5/2013 Bergmann et al.
 D691,034 S 10/2013 Field et al.
 D713,765 S 9/2014 Peltola et al.
 D726,080 S * 4/2015 Mays D12/196
 D746,200 S * 12/2015 Leetz D12/190
 D748,548 S * 2/2016 Battams D12/190
 D751,013 S 3/2016 Curic et al.
 D758,257 S 6/2016 Platto et al.
 D760,918 S 7/2016 Bilge
 D763,152 S 8/2016 Franscella
 D788,659 S 6/2017 Jelec et al.
 D805,223 S 12/2017 DeBellis
 D807,264 S 1/2018 Henstridge
 D808,316 S * 1/2018 Piscitelli D12/163
 D826,798 S 8/2018 Behmer et al.
 D848,331 S * 5/2019 Nurnberger D12/190
 D857,491 S 8/2019 Bell et al.
 D867,250 S * 11/2019 Goodrich D12/91
 D882,472 S * 4/2020 Goodrich D12/190
 D886,698 S * 6/2020 Goodrich D12/190
 D894,070 S * 8/2020 Patel D12/91
 D895,495 S * 9/2020 Grewer D12/190
 D899,918 S 10/2020 Sprowl et al.
 D899,971 S 10/2020 Sprowl et al.
 D899,984 S * 10/2020 Gregory D12/190
 D901,288 S 11/2020 Sprowl et al.
 D901,289 S 11/2020 Sprowl et al.
 D902,706 S 11/2020 Sprowl et al.
 D913,171 S * 3/2021 Wiltshire D12/169
 D916,636 S * 4/2021 Grand D12/184
 D934,142 S * 10/2021 Bernardi D12/190
 D937,722 S * 12/2021 Wu D12/190
 D953,223 S * 5/2022 DiCanzio D12/181
 D962,138 S * 8/2022 Minol D12/190
 D993,118 S * 7/2023 Acton D12/190
 D1,005,906 S 11/2023 Hoyle, Jr.
 D1,006,692 S 12/2023 Zheng
 D1,006,900 S 12/2023 Christensen et al.
 D1,011,242 S * 1/2024 Lin D12/163
 D1,011,243 S * 1/2024 Lin D12/163
 D1,037,098 S 7/2024 Frascella et al.
 D1,049,975 S 11/2024 Hagler et al.
 D1,049,976 S 11/2024 Ewing et al.
 D1,050,997 S 11/2024 Ewing et al.
 2006/0201727 A1 9/2006 Chan
 2018/0251162 A1 9/2018 Overgaard et al.

FOREIGN PATENT DOCUMENTS

EM 1915430 * 9/2011
 EM 015077025-0005 10/2024
 GB 6332684 12/2023
 GB 6348342 3/2024
 GB 6365747 5/2024
 JP 2010018987 * 7/2011

OTHER PUBLICATIONS

Product Spotlight: Body Reinforcements, Earliest Available Date Nov. 3, 2020 [Online], [Site Visited Nov. 3, 2020] Available From Internet, URL: < <https://traxxas.com/news/body-reinforcements>> (Year: 2020).
 Single Gang Bundled Cable Wall Plate, White, Nov. 7, 2016, Amazon.com, Jun. 16, 2021, URL: <https://www.amazon.com/Skywalker-Signature-Single-Bundled-Cable/dp/B01N3KSI27> (Year: 2016).
 LONGWIN 60mm Trapezoid Dimple Blocks, Jan. 22, 2018, amazon.com, Jun. 29, 2022, URL: <https://www.amazon.com/LONGWIN-Trapezoid-Dimple-Display-150-200mm/dp/B01ESZ1OWK/> (Year: 2018).
 Blocks, Trapezoid Set of 2, Jul. 1, 2015, amazon.jp, Jun. 29, 2022, URL: <https://www.amazon.co.jp/-/en/Blocks-Trapezoid-Set-of-2/dp/B010P8LSU2> (Year: 2015).
 FR3Z-16C630-BK Speed Mesh Hood Vent Kit Black, posted Jun. 26, 2019 [online], [retrieved Apr. 28, 2025]. Retrieved from internet, URL: https://www.amazon.com/DRAKE-FR3Z-16C630-BK-Black-Speed-Vents/dp/B07TJB6WWVS?source=ps-sl-shoppingads-lpcontext&ref_=fplfs&psc=1&s%E2%80%A6 (Year: 2019).
 For Mercedes W204 C63 Amg Bonnet Vent Hood Vent Air Vents Scoop Duct Gloss Black, posting date unavailable [online], [retrieved Apr. 28, 2025]. Retrieved from internet, <https://www.ebay.com/itm/203761954040> (Year: 2025).
 Traxxas Left and Right Hood Vents and Retainers, posting date unavailable [online], [retrieved Apr. 28, 2025]. Retrieved from internet, URL: <https://www.rcsuperstore.com/traxxas-left-and-right-hood-vents-and-retainers/> (Year: 2025).
 Air Inlet Grille Front Face & Hood for Axial for SCX10 for Jeep Wrangler Crawler 1/10 RC Spare Part Accessory, posting date unavailable [online]. [Retrieved Jun. 6, 2025]. Retrieved from internet, <<https://www.amazon.com/Inlet-Grille-Wrangler-Crawler-Accessory/dp/B0C2JDLMPT>> (Year: 2025).
 Traxxas 9510G—Reinforcement Set, Amazon Website, Earliest Comment Date: Mar. 1, 2024 [Website Visited Aug. 22, 2025] Available on the Internet, URL <https://www.amazon.com/dp/B0C6BVG3RF> (Year: 2024).
 Traxxas 7710—MAXX Body Reinforcement Set, Amazon Website, Earliest Comment Date: Dec. 28, 2019 [Website Visited Aug. 22, 2025] Available on the Internet, URL <https://www.amazon.com/dp/B07WFWWL5D/> (Year: 2019).
 Traxxas Slash Modified Body Reinforcement Set (L&R), Traxxas Website, No. Available Date [Website Visited Aug. 22, 2025] <https://traxxas.com/10415-slash-modified-body-reinforcement-set-Ir> (Year: 2025).

* cited by examiner

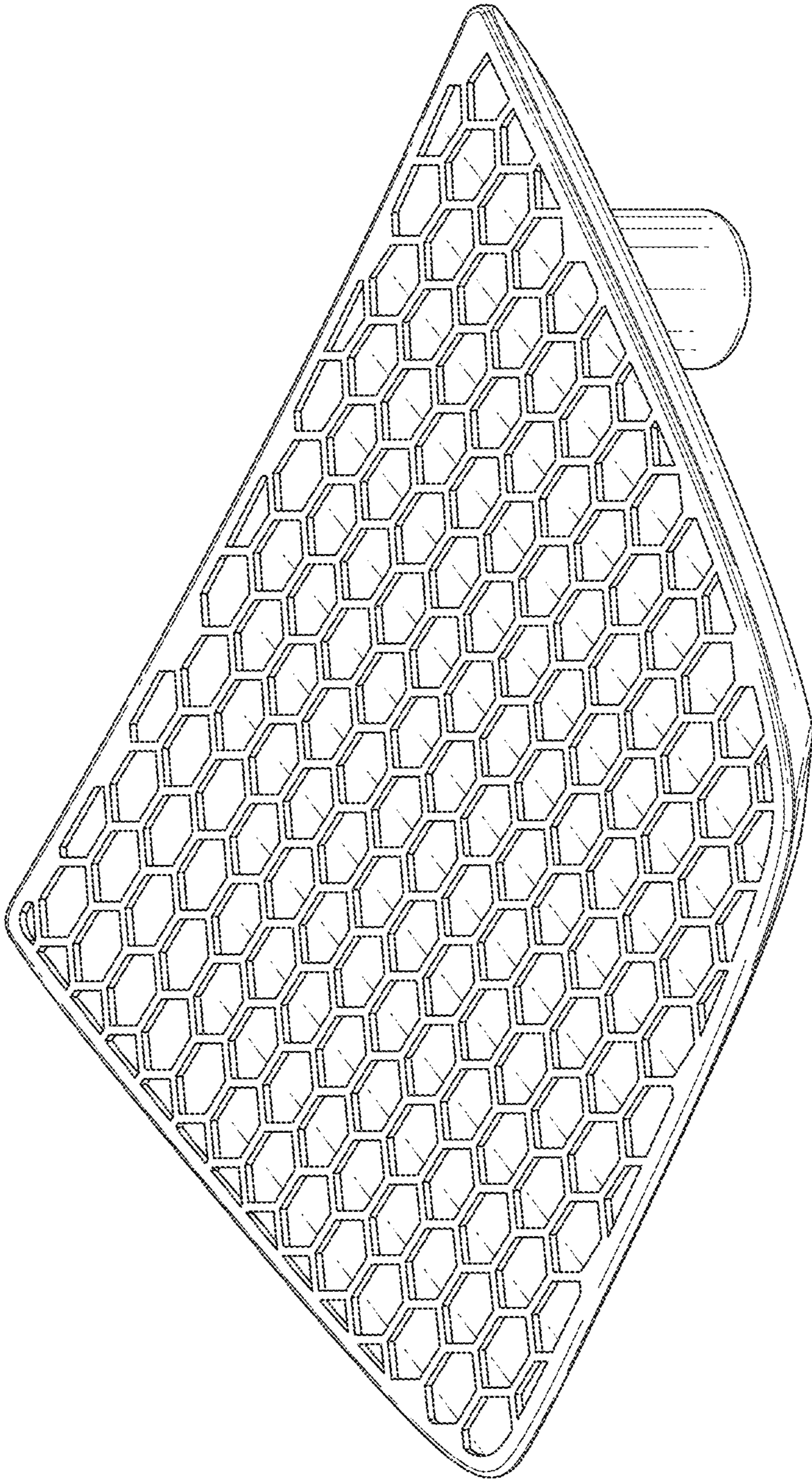


FIG. 1

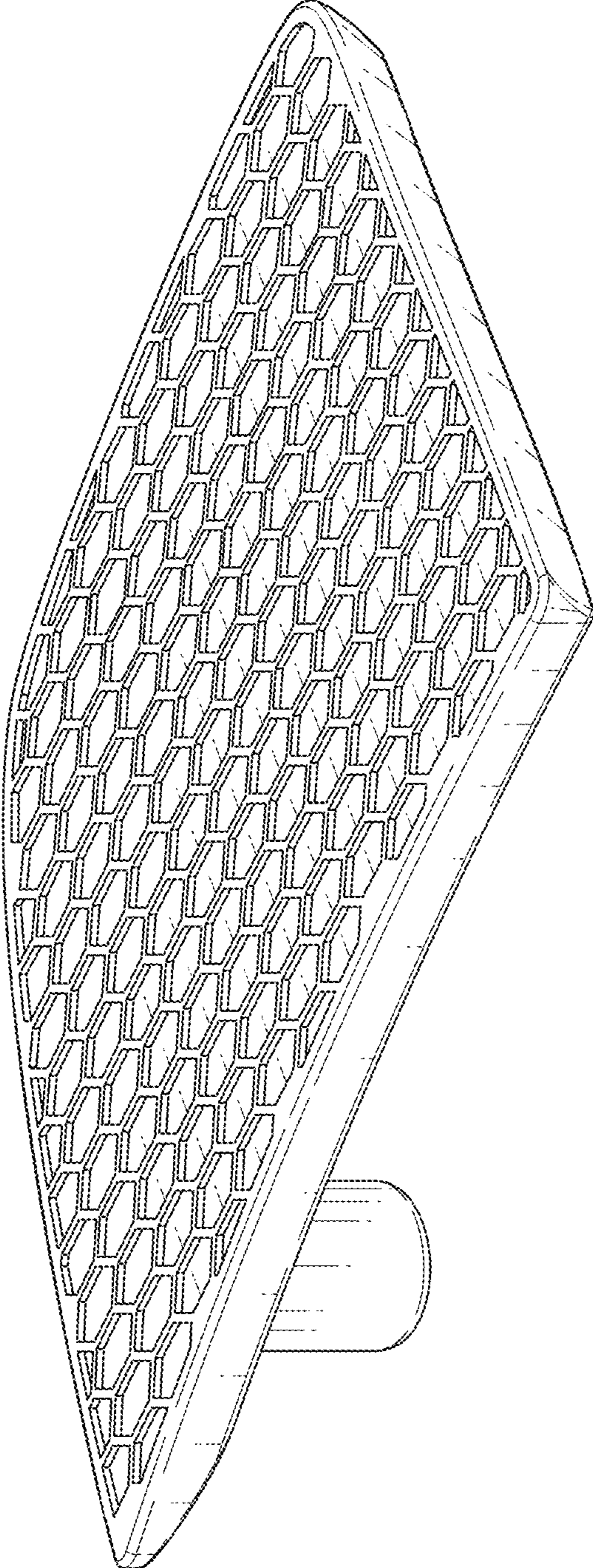


FIG. 2

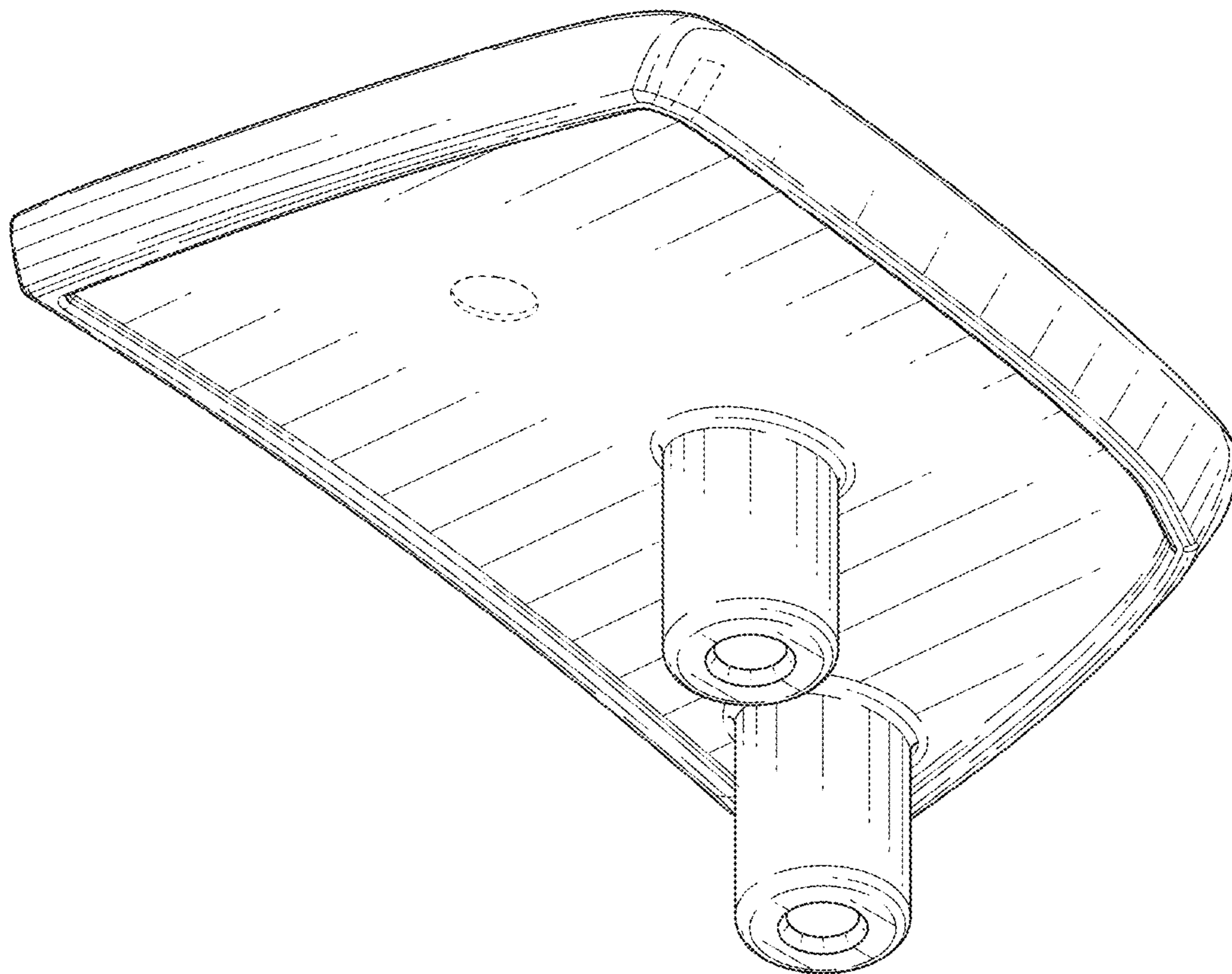


FIG. 3

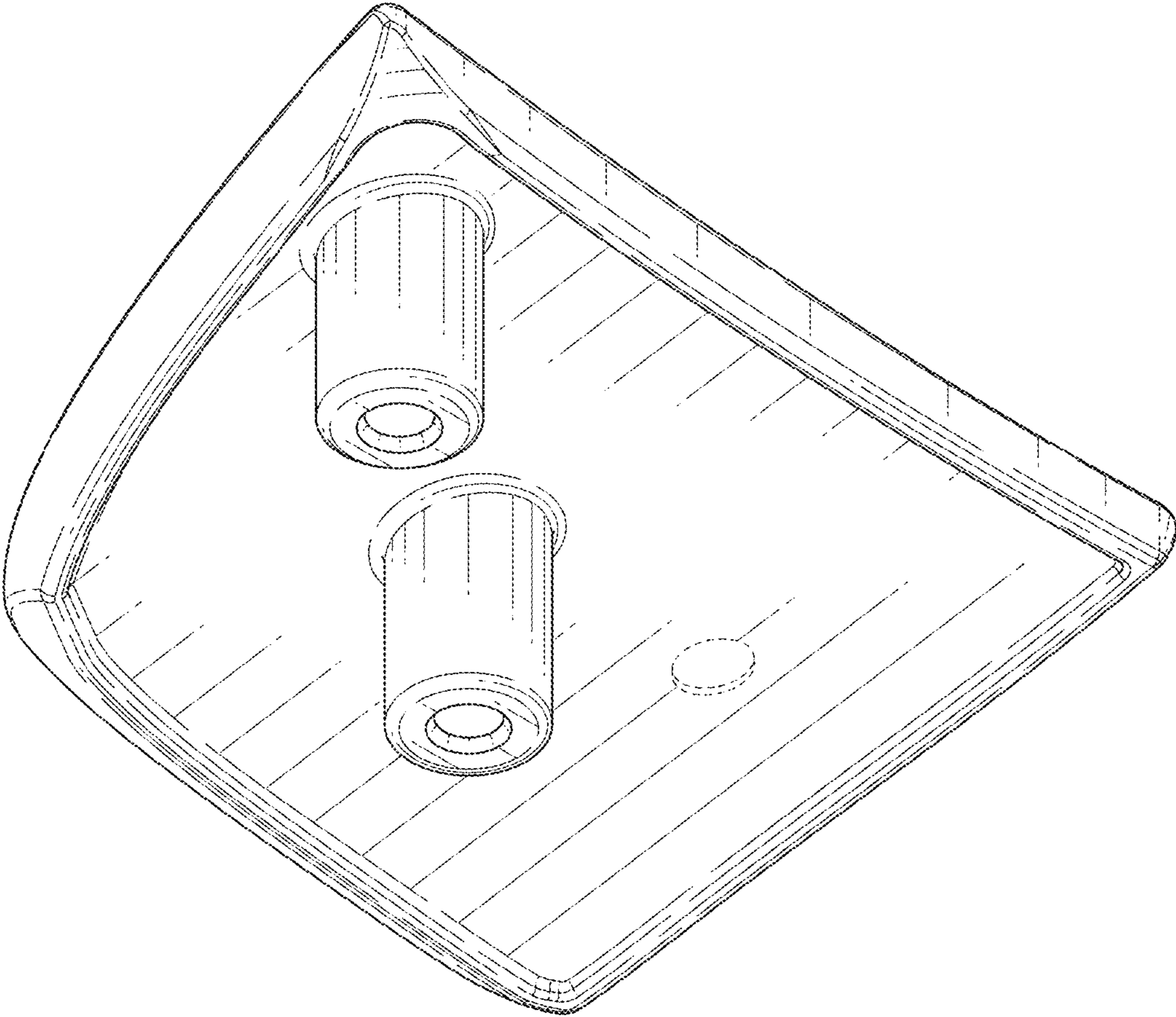


FIG. 4

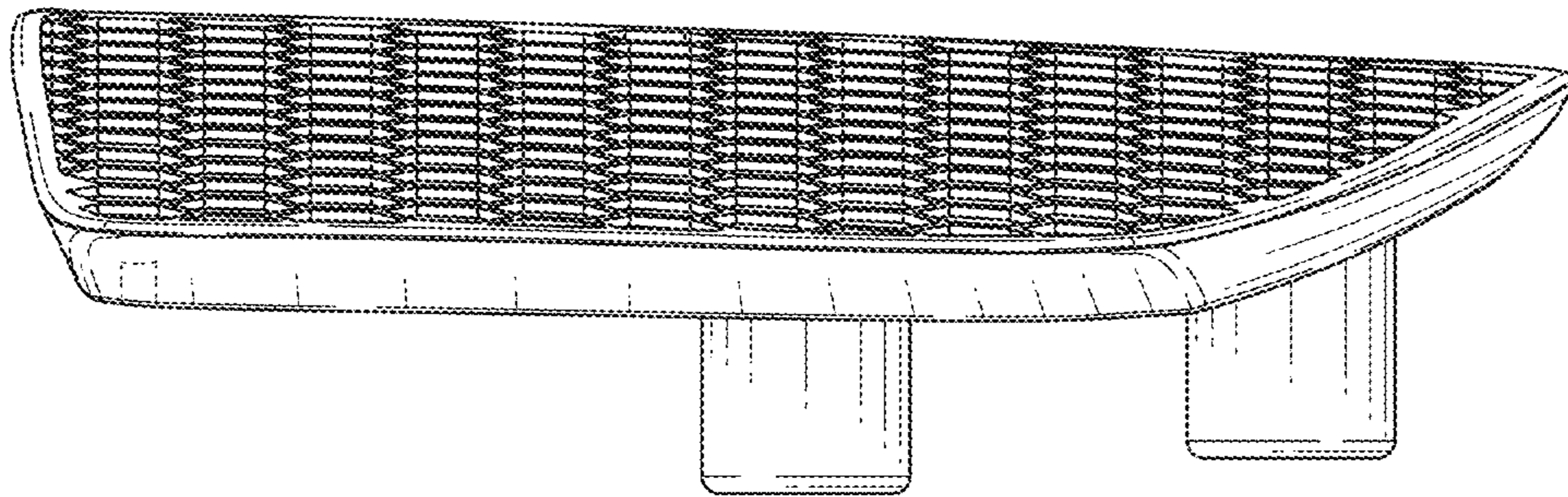


FIG. 5

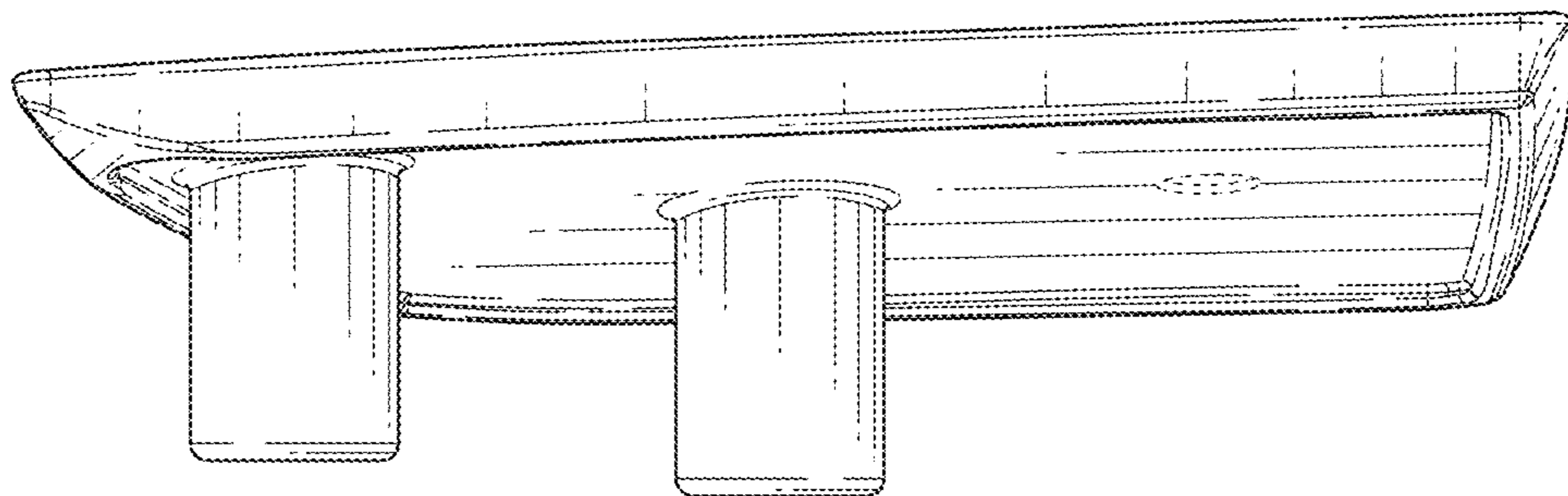


FIG. 6

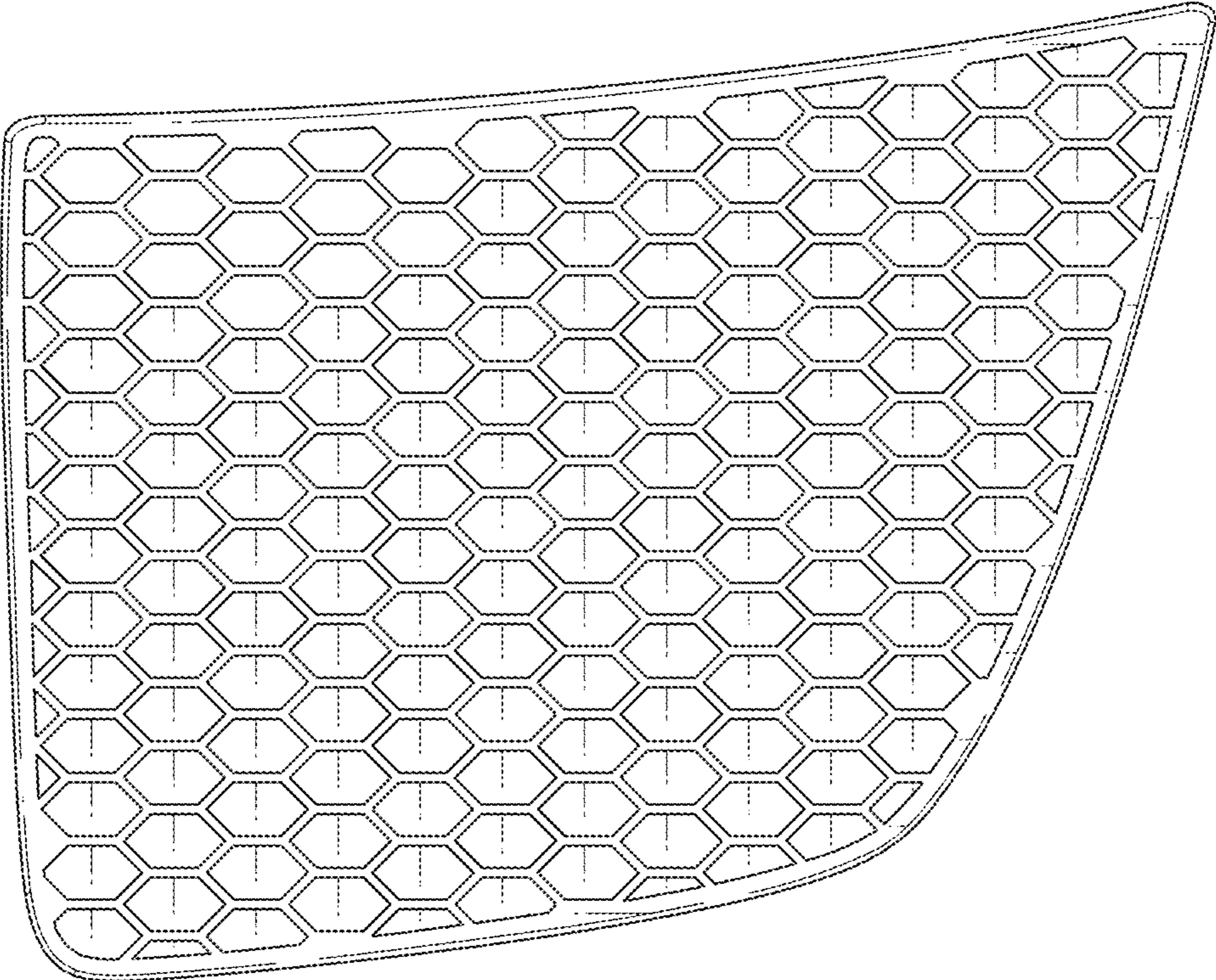


FIG. 7

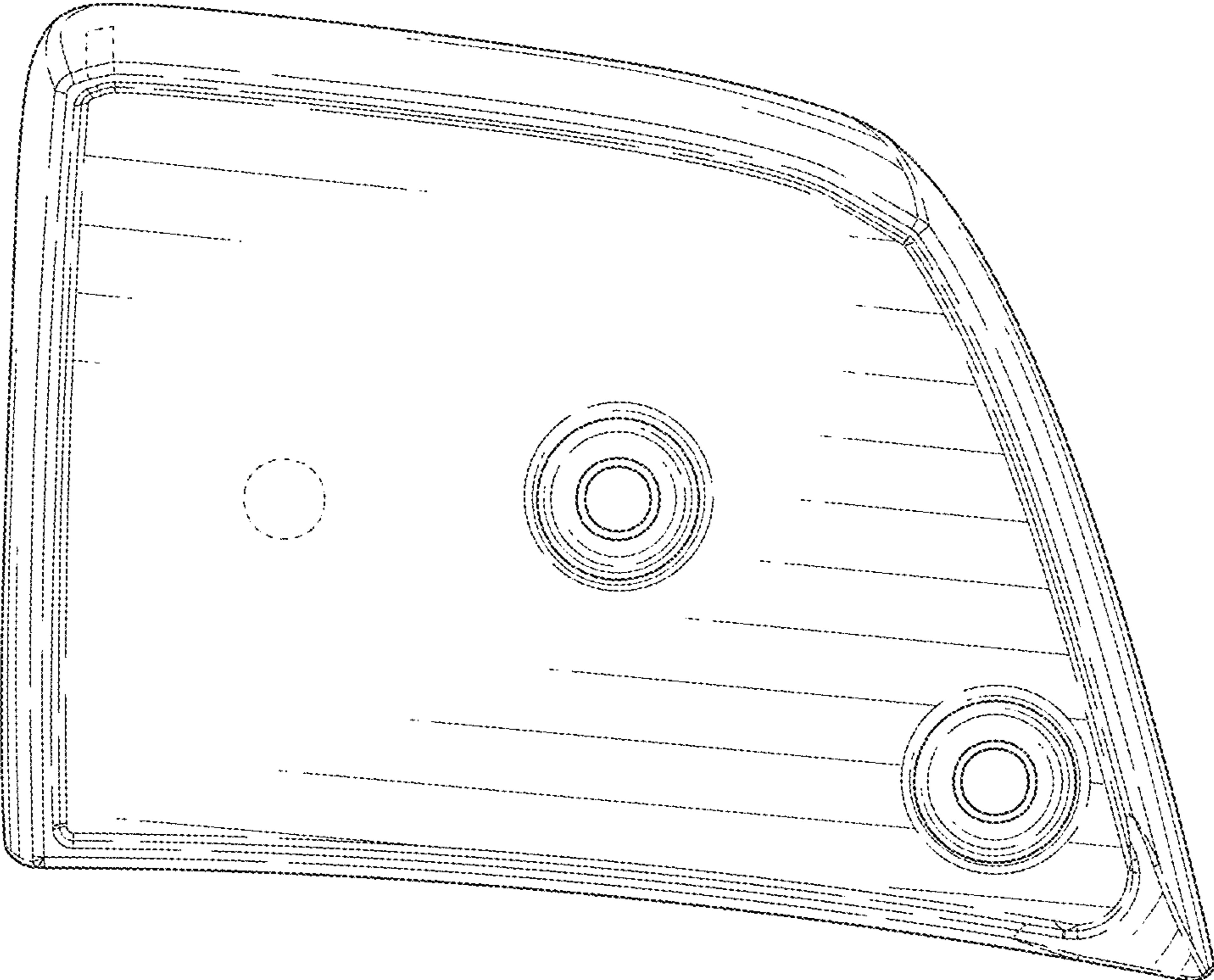


FIG. 8

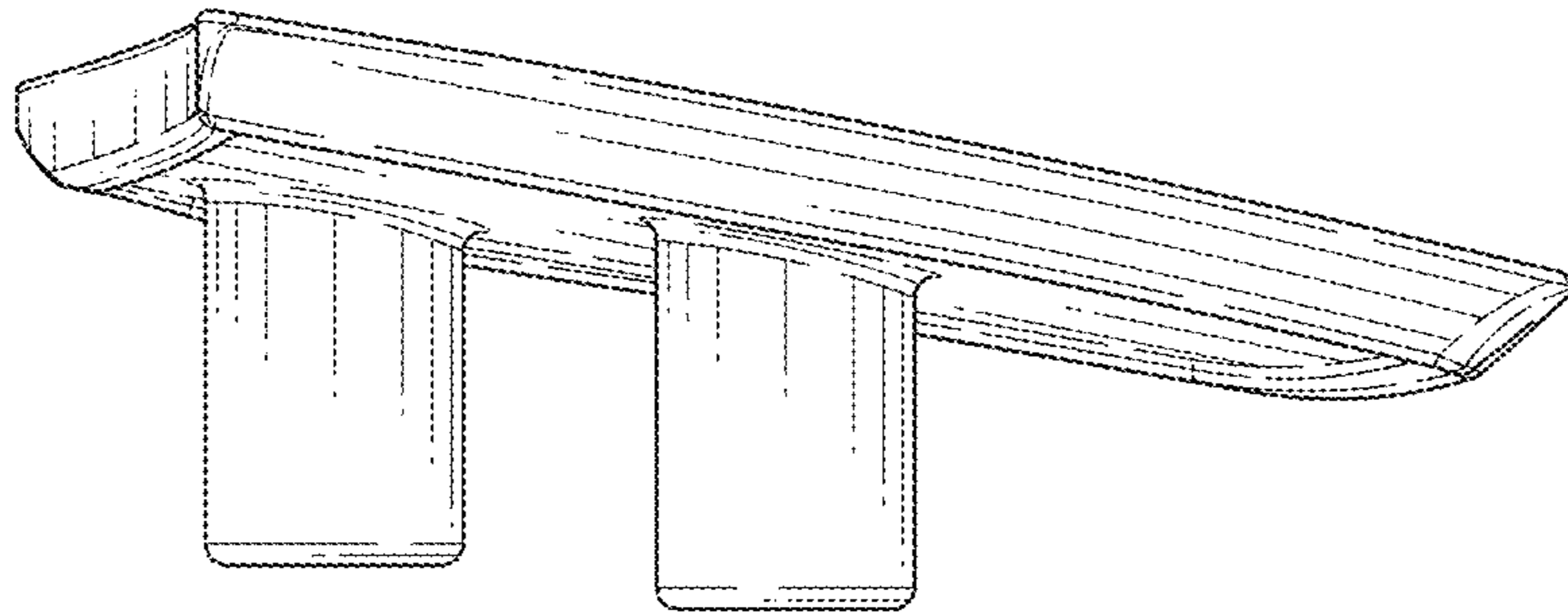


FIG. 9

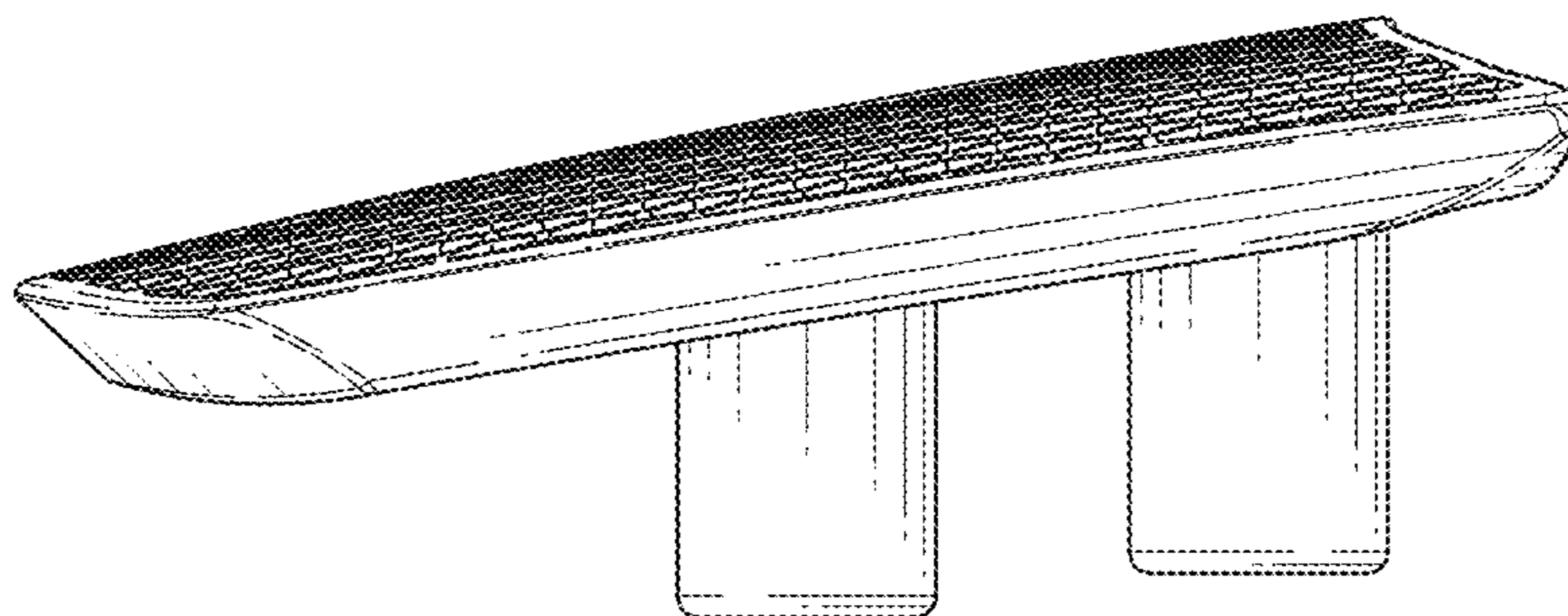


FIG. 10