



US0D1120820S

(12) **United States Design Patent**
Martin et al.

(10) **Patent No.:** **US D1,120,820 S**
(45) **Date of Patent:** **** Mar. 31, 2026**

(54) **MODEL VEHICLE CHASSIS**

(71) Applicant: **TRAXXAS, L.P.**, McKinney, TX (US)

(72) Inventors: **Ross Martin**, North Richland Hills, TX (US); **Otto Karl Allmendinger**, Rowlett, TX (US); **Kent Poteet**, Lucas, TX (US); **Adam Cole Ewing**, McKinney, TX (US); **Caleb Hix**, McKinney, TX (US)

(73) Assignee: **TRAXXAS, L.P.**, McKinney, TX (US)

(**) Term: **15 Years**

(21) Appl. No.: **29/962,984**

(22) Filed: **Sep. 13, 2024**

(51) **LOC (15) Cl.** **21-01**

(52) **U.S. Cl.**
USPC **D21/562**

(58) **Field of Classification Search**
USPC D21/561-562; D12/159
CPC . B60G 7/001; B60G 7/02; B60G 3/20; B60G 2200/144

See application file for complete search history.

(56) **References Cited**

U.S. PATENT DOCUMENTS

D317,336 S	6/1991	Tsuchiya	
D332,978 S *	2/1993	Tsuchiya	D21/562
D332,979 S *	2/1993	Tsuchiya	D21/562
D365,572 S	12/1995	Cerny et al.	
D403,023 S	12/1998	Araki	
D521,572 S	5/2006	Yuen	
D524,880 S	7/2006	Yuen	
D539,360 S *	3/2007	Heralda	D21/562
D577,083 S	9/2008	Nakayama	
D593,616 S *	6/2009	Asai	D21/562
D597,151 S	7/2009	Ishikawa	
D822,126 S	7/2018	Allmendinger et al.	
D829,831 S *	10/2018	Redlin	D21/562
D844,070 S	3/2019	Christensen et al.	

D851,183 S	6/2019	Wood et al.	
D902,088 S	11/2020	Nakamura et al.	
D952,052 S *	5/2022	Xu	D21/550
D956,886 S	7/2022	Xing et al.	
D964,482 S	9/2022	Ewing et al.	
D966,952 S	10/2022	Baez et al.	

(Continued)

FOREIGN PATENT DOCUMENTS

EM	015009705-0003	2/2023
EM	015009705-0009	2/2023

OTHER PUBLICATIONS

Axial SCX10 Deadbolt 1/10th Scale Electric 4WD—RTR; <http://www.axialracing.com/products/ax90044>; Aug. 2016.

(Continued)

Primary Examiner — Michael A. Pratt

(74) *Attorney, Agent, or Firm* — Daryl R. Wright; Greg Carr

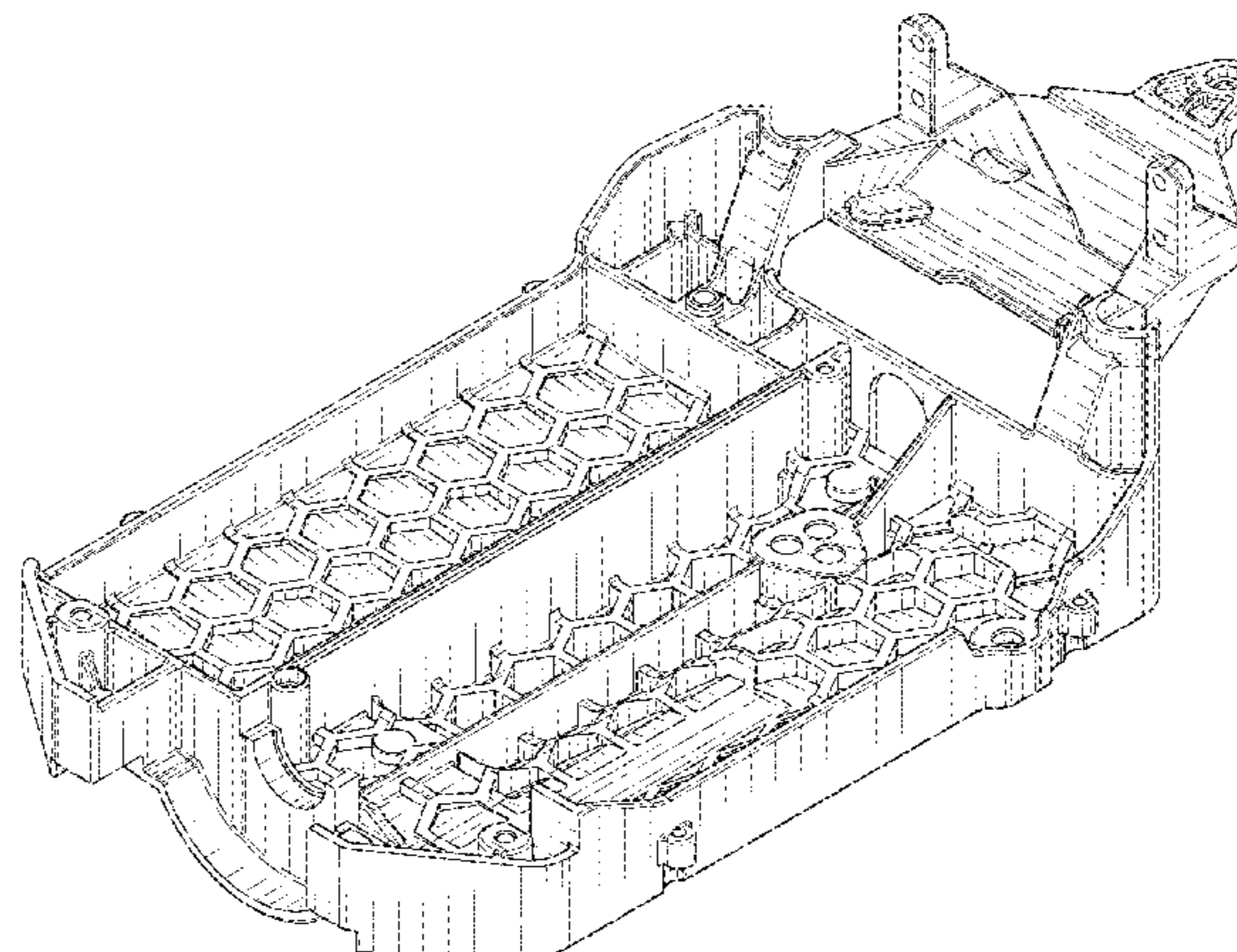
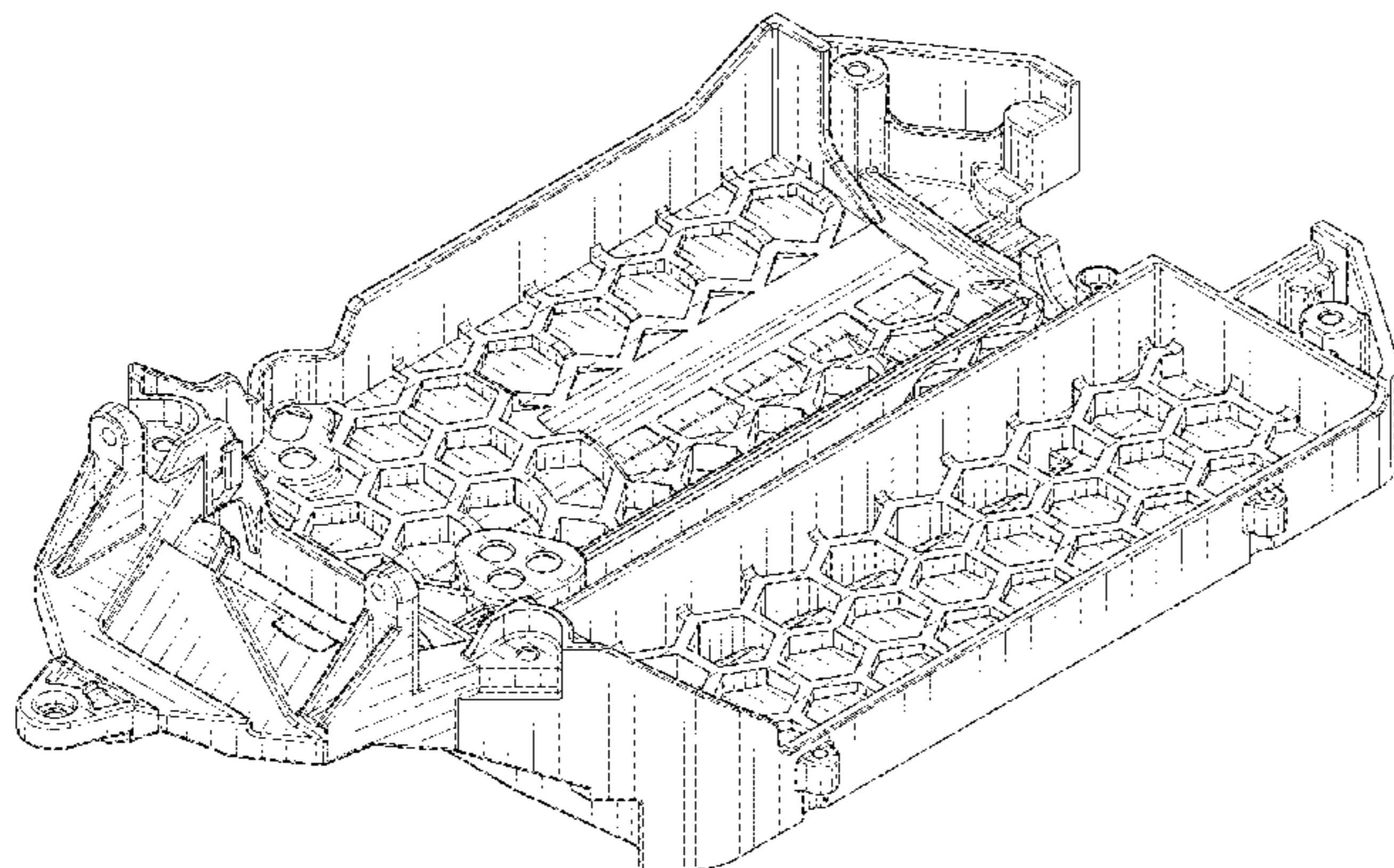
(57) **CLAIM**

The ornamental design for a model vehicle chassis as shown and described.

DESCRIPTION

FIG. 1 is an upper, left, front perspective view of a model vehicle chassis showing our new design; FIG. 2 is an upper, right, rear perspective view thereof; FIG. 3 is a lower, right, front perspective view thereof; FIG. 4 is a lower, left, rear perspective view thereof; FIG. 5 is a front elevation view thereof; FIG. 6 is a rear elevation view thereof; FIG. 7 is an upper plan view thereof; FIG. 8 is a lower plan view thereof; FIG. 9 is a right-side elevation view thereof; and, FIG. 10 is a left-side elevation view of a model vehicle chassis.

1 Claim, 8 Drawing Sheets



(56)

References Cited

U.S. PATENT DOCUMENTS

D998,721 S * 9/2023 Ewing D21/562
D1,004,714 S 11/2023 Ewing et al.
D1,041,586 S * 9/2024 Ewing D21/562
D1,047,786 S * 10/2024 Ewing D21/562

OTHER PUBLICATIONS

HPI Racing; HPI Venture FJ Cruiser; <http://www.hpiracing.com/en/article/view/2016012702>; Aug. 2016.

Tamiya 58647 1:10 Rc M-07 Con. WB225/239 Remote Control Car Vehicle Model, Sep. 15, 2017, Amazon.co.uk, Sep. 22, 2021, URL: <https://www.amazon.co.uk/Tamiya-M-07-Concept-Chassis-58647/dp/B06ZY297CC> (Year: 2017).

Tamiya 57986" 1:10 RC TT-02 Chassis First Try On-Road Vehicle, Aug. 19, 2016, Amazon.co.uk, Sep. 22, 2021, URL: 4 <https://www.amazon.co.uk/Tamiya-57986-10-RC-Chassis-First/dp/B01JLF7GB0> (Year: 2016).

* cited by examiner

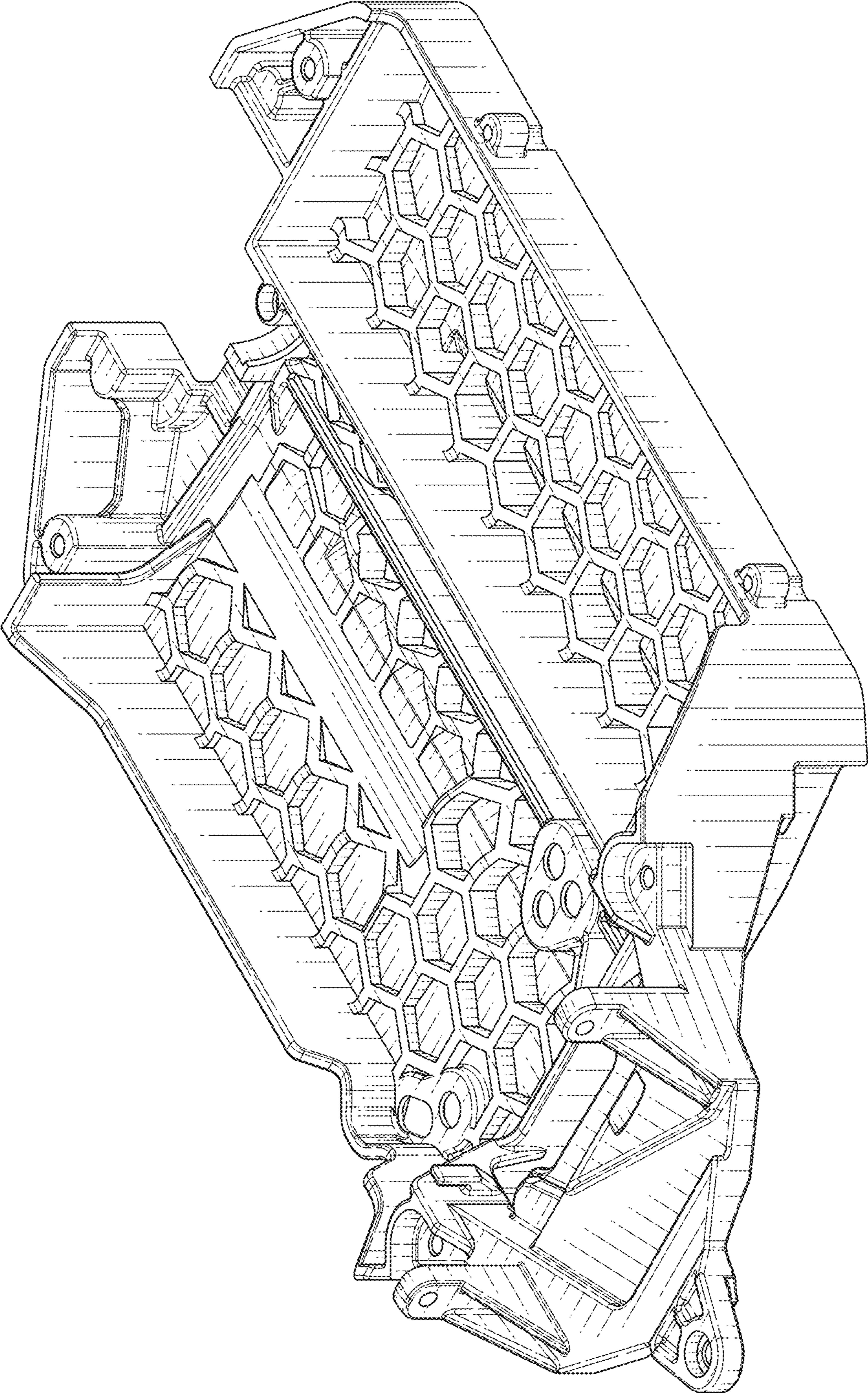


FIG. 1

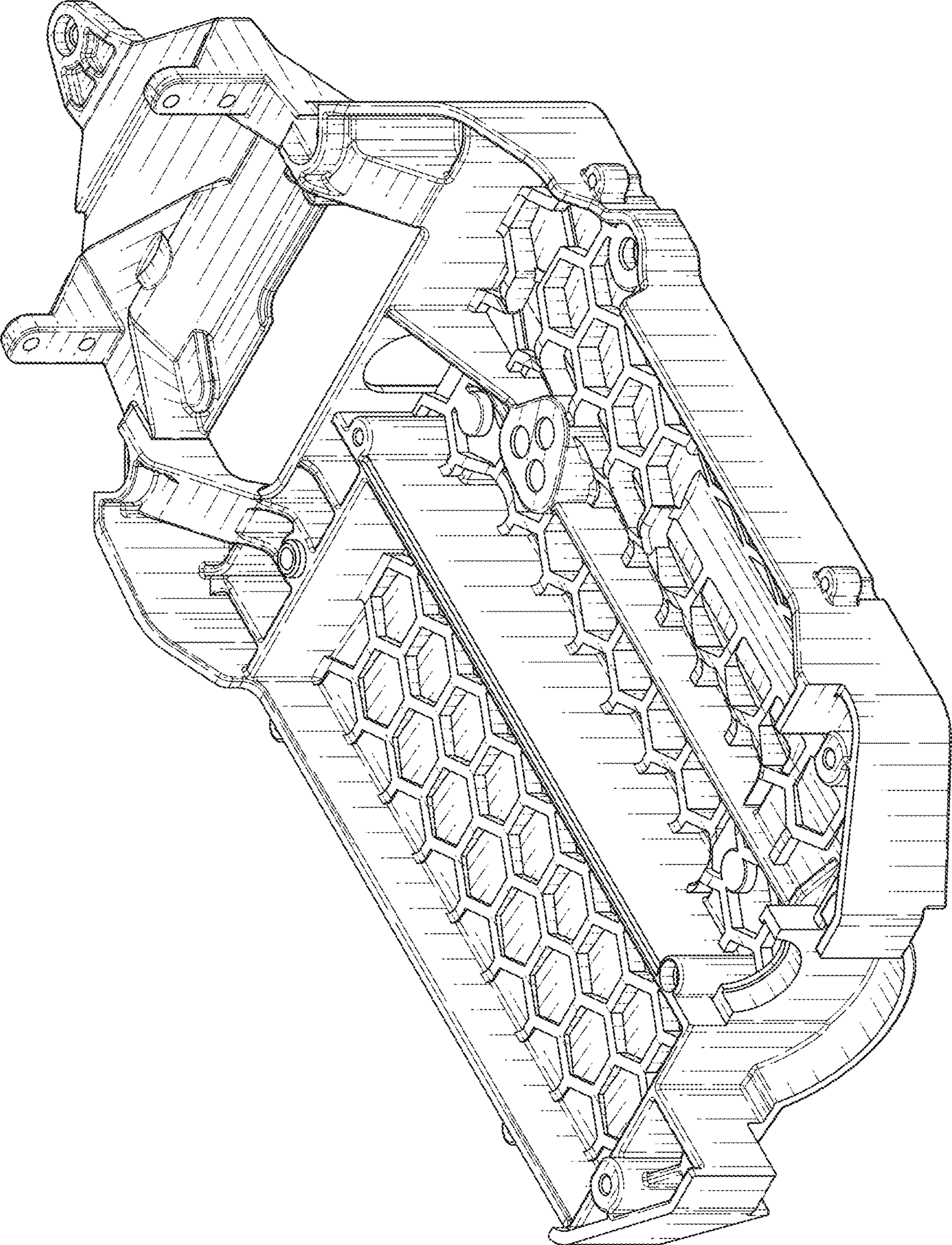


FIG. 2

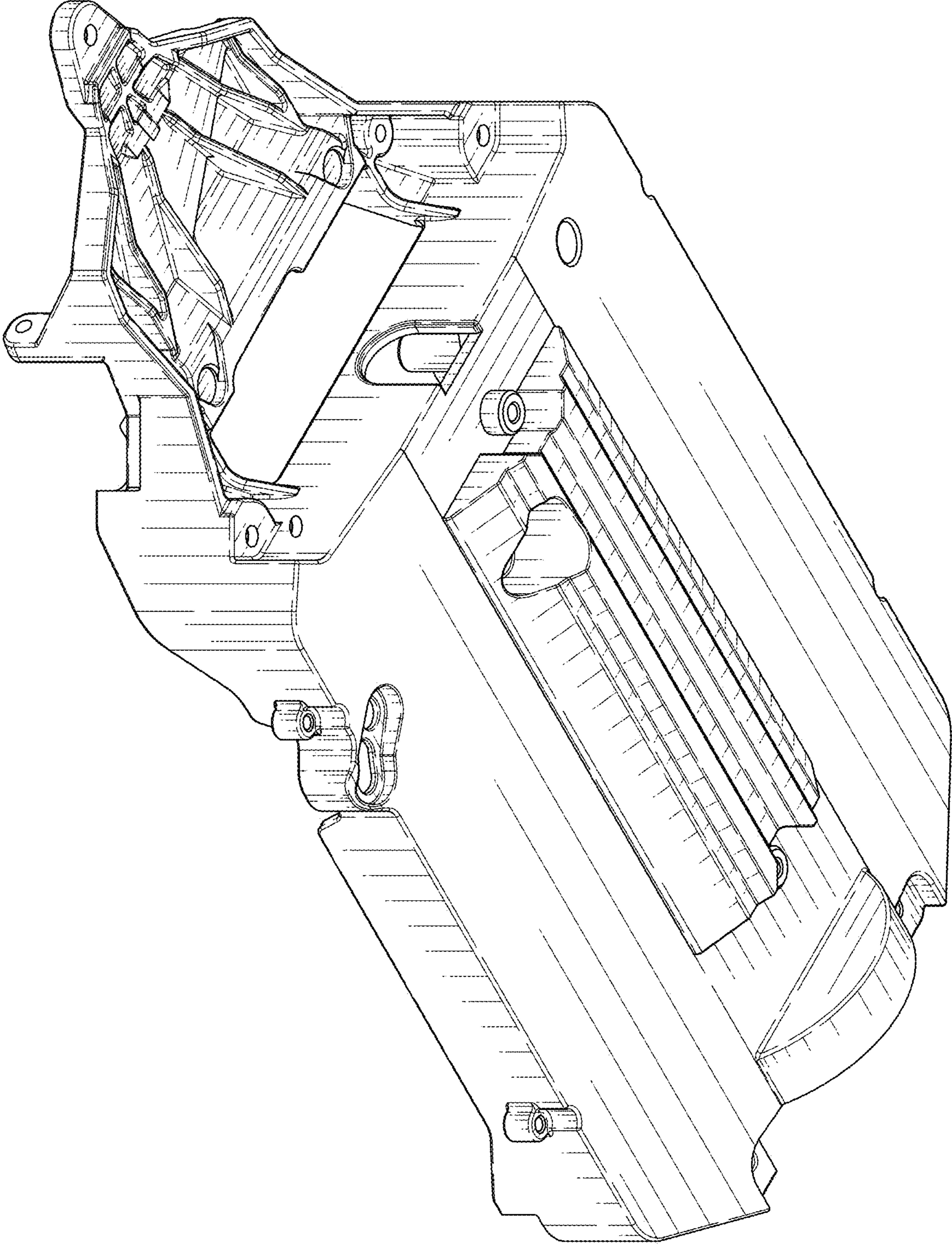


FIG. 3

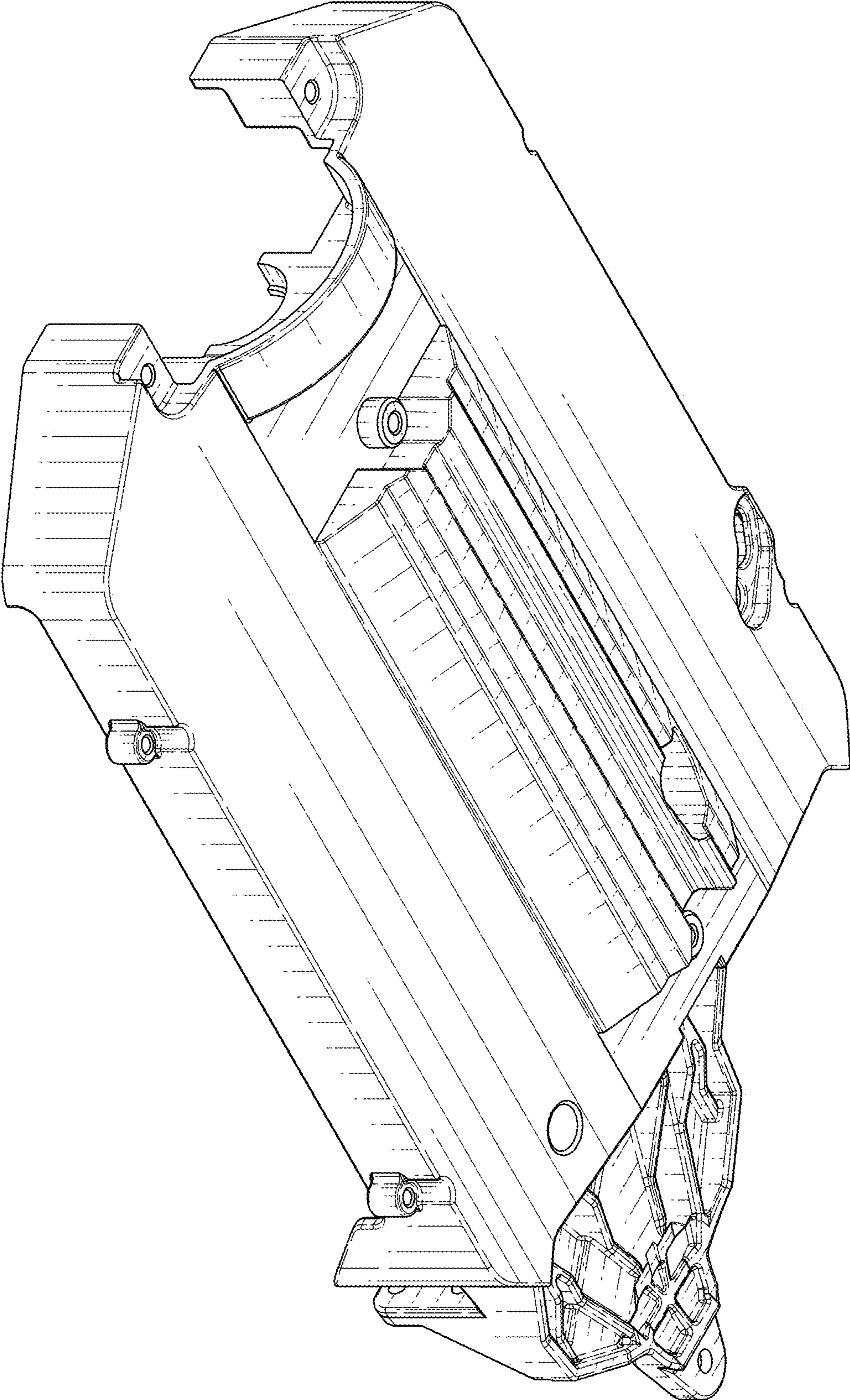


FIG. 4

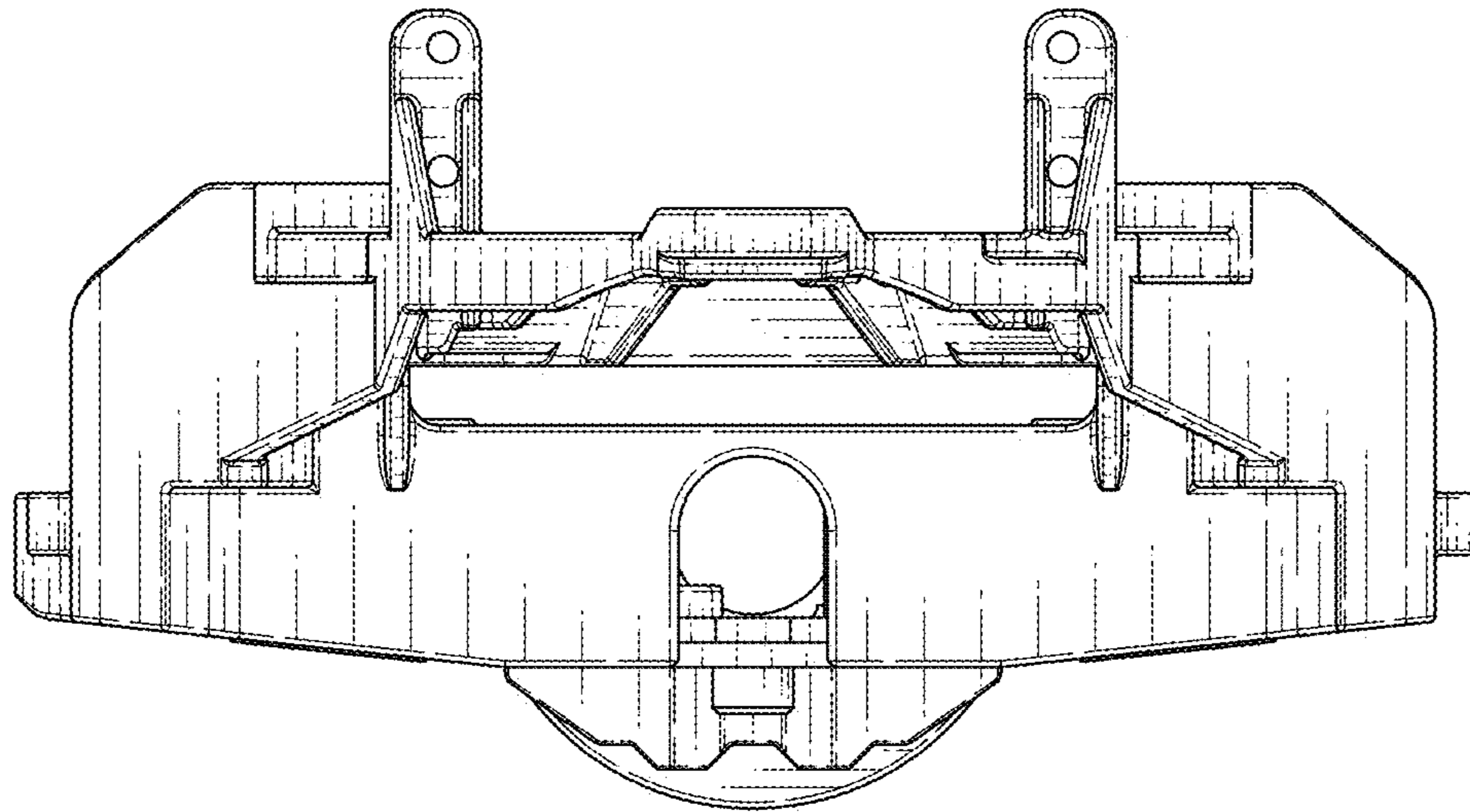


FIG. 5

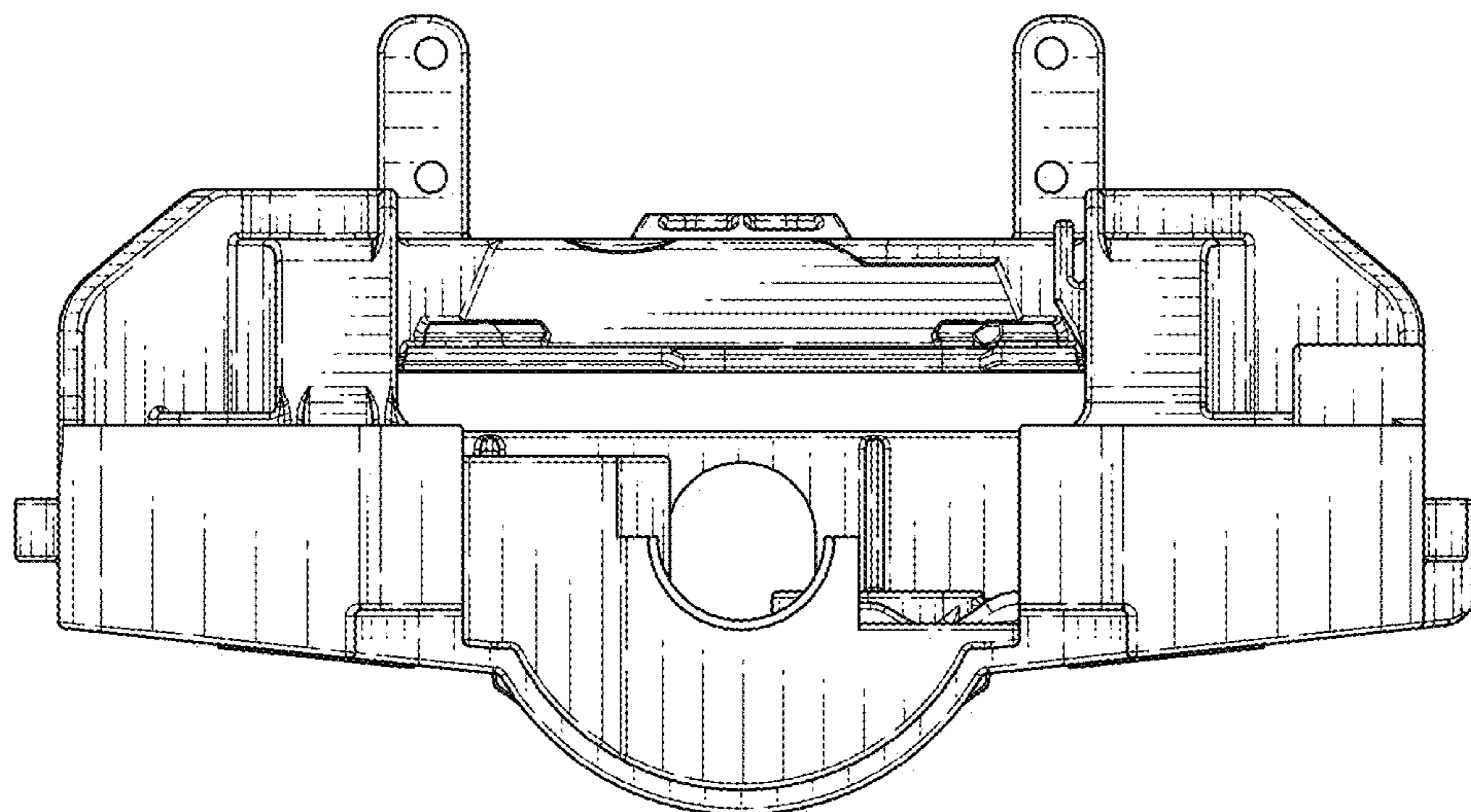


FIG. 6

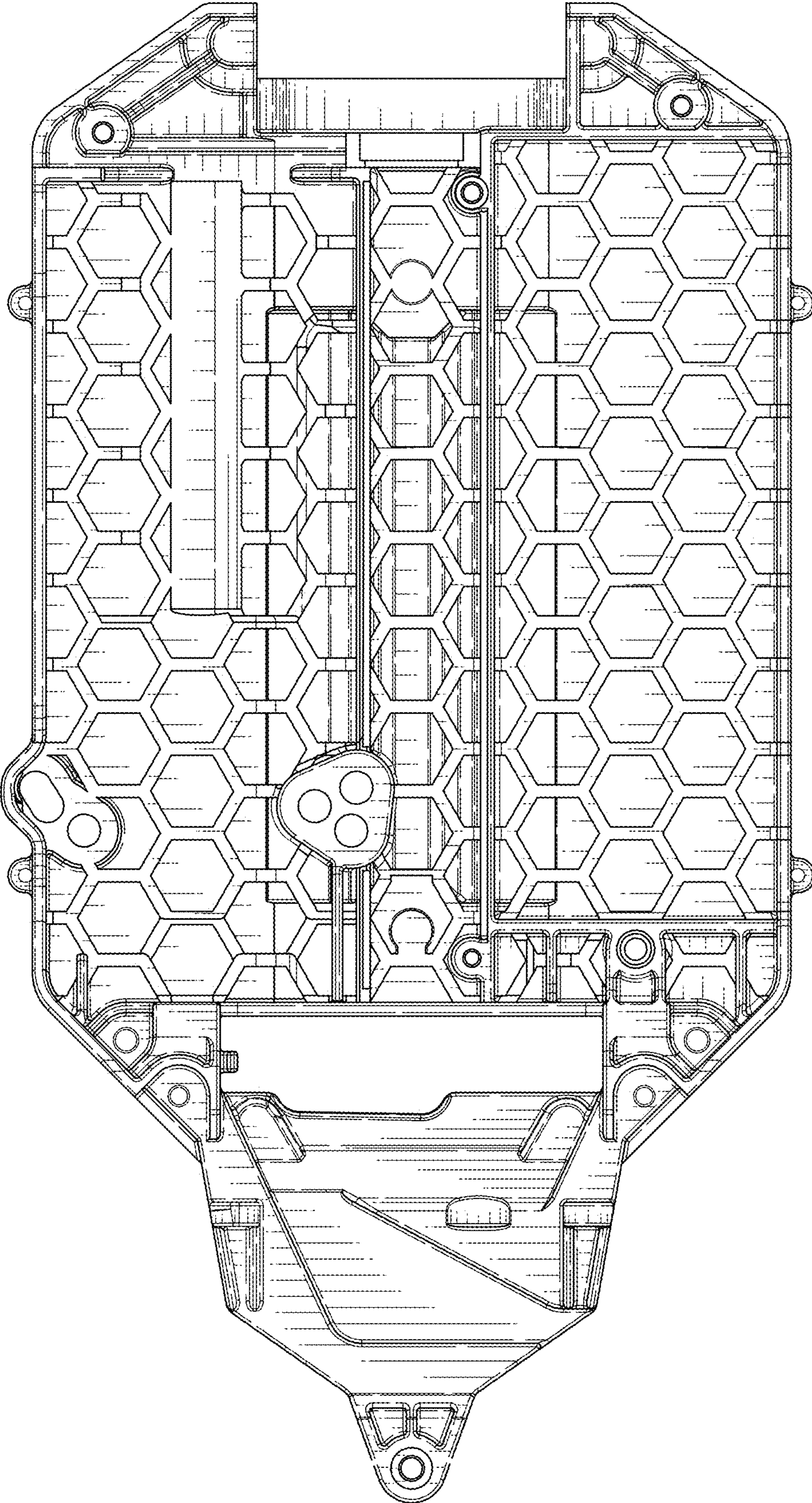


FIG. 7

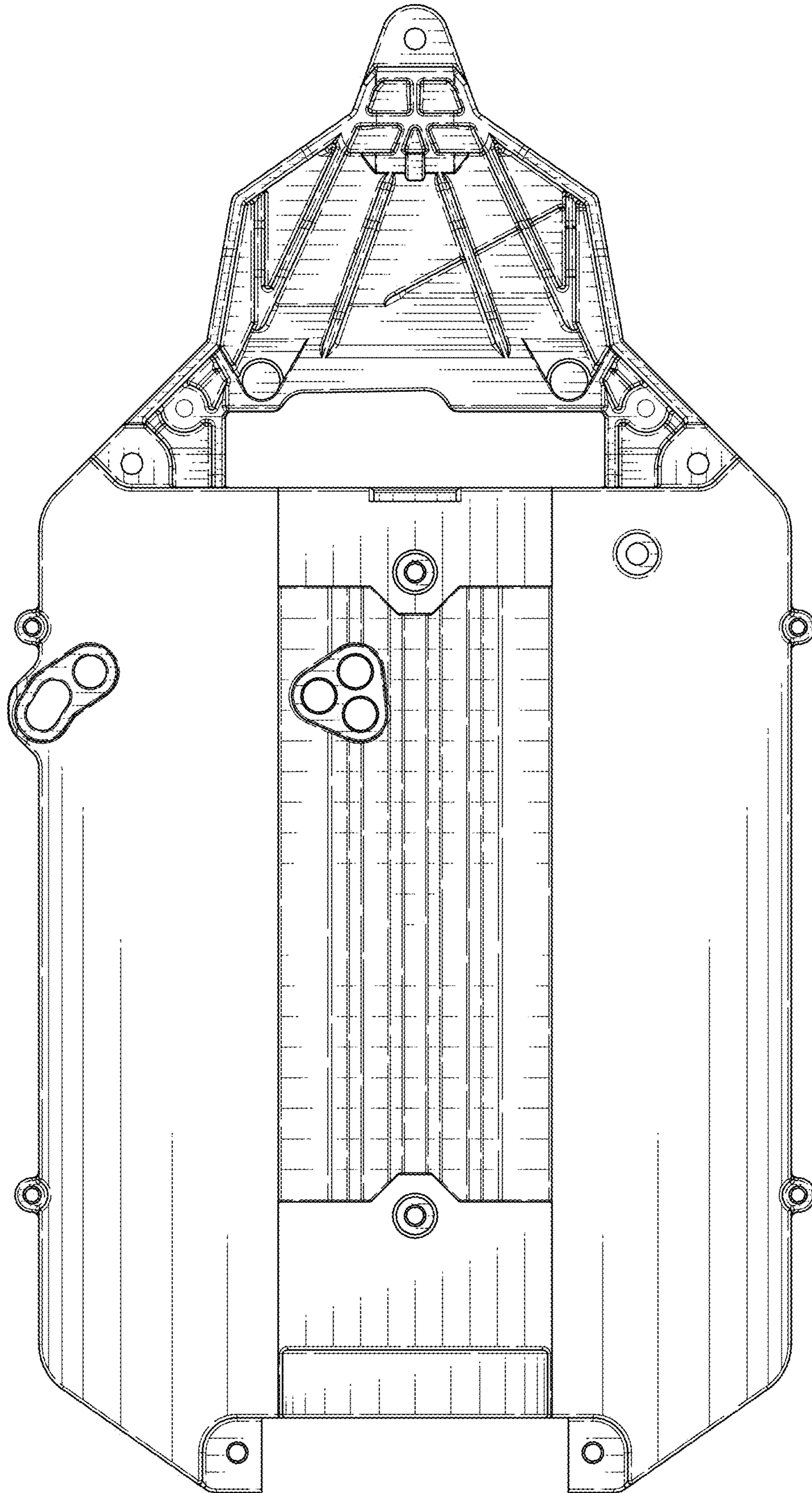


FIG. 8

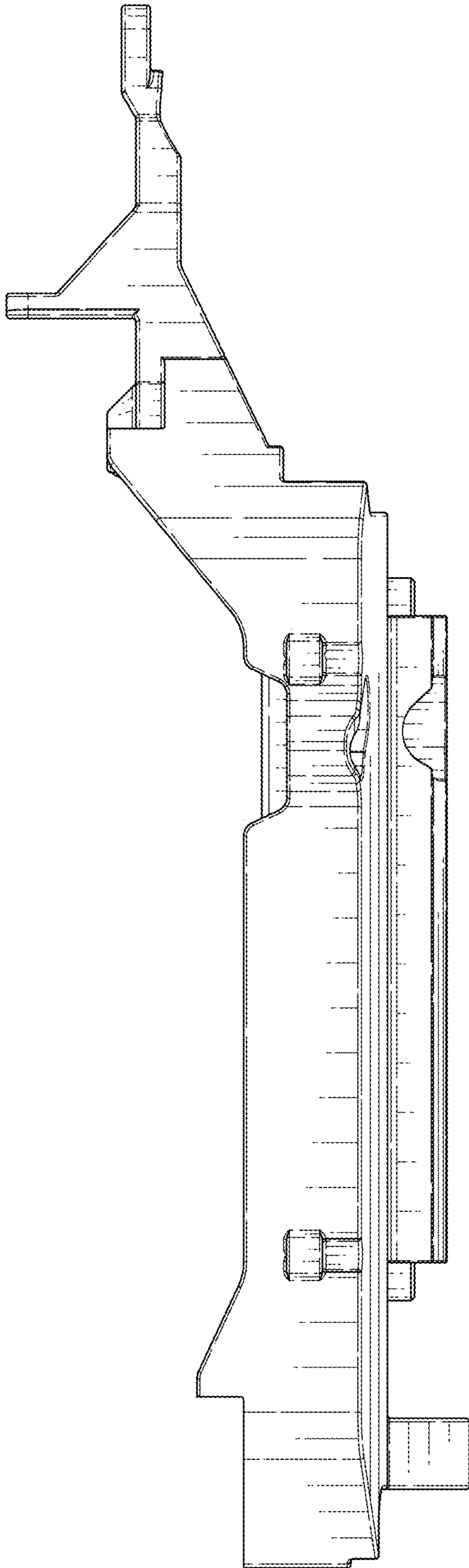


FIG. 9

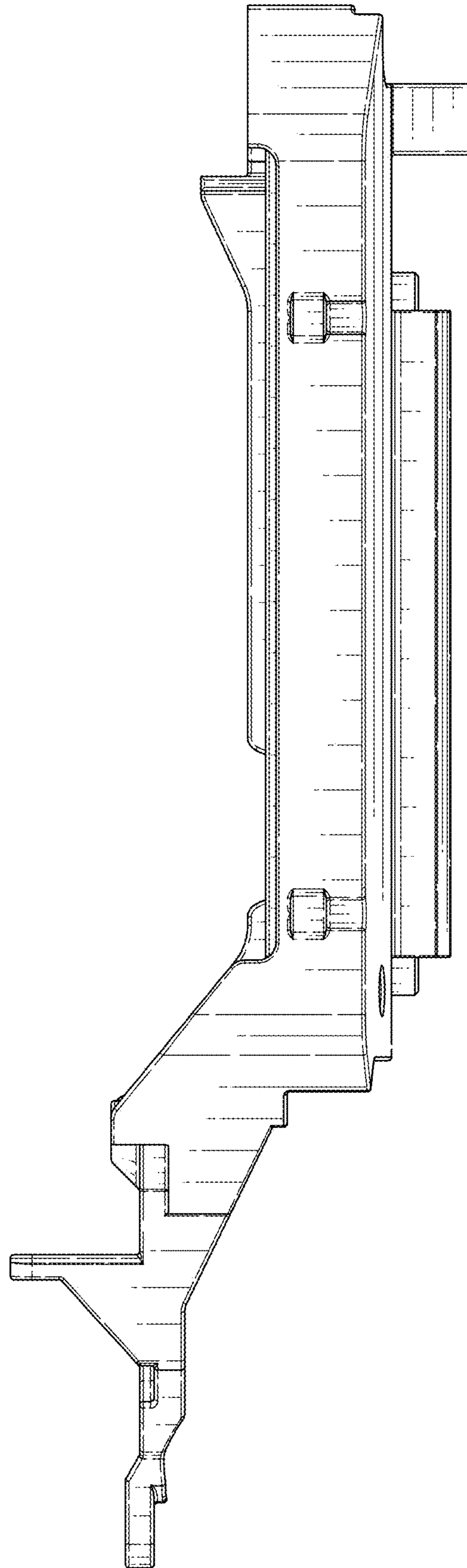


FIG. 10