



US0D1120708S

(12) **United States Design Patent**  
**Jones**

(10) **Patent No.:** **US D1,120,708 S**

(45) **Date of Patent:** **\*\* Mar. 31, 2026**

(54) **WREATH CUP**

(71) Applicant: **BIO WORLD MERCHANDISING, INC.**, Irving, TX (US)

(72) Inventor: **Jordan Jones**, Austin, TX (US)

(73) Assignee: **Bio World Merchandising, Inc.**, Irving, TX (US)

(\*\*) Term: **15 Years**

(21) Appl. No.: **29/817,928**

(22) Filed: **Dec. 6, 2021**

(51) **LOC (15) Cl.** ..... **07-01**

(52) **U.S. Cl.**  
USPC ..... **D7/515**

(58) **Field of Classification Search**  
USPC ..... D7/509, 510, 511, 514, 515  
CPC .... A47G 19/2205; A47G 19/2227; A45F 3/16  
See application file for complete search history.

(56) **References Cited**

**U.S. PATENT DOCUMENTS**

D340,837 S \* 11/1993 Fox ..... D7/515

**FOREIGN PATENT DOCUMENTS**

CN 202330239528.4 \* 4/2023

**OTHER PUBLICATIONS**

Packed Party Light-Up Wreath | posted at walmart.com, no posting date, 2025 walmart.com [online], [site visited Apr. 10, 2025]. Available from internet, <URL: https://www.walmart.com/ip/Packed-Party-Light-up-Wreath-Cup-Bundle-15-Oz-Plastic-Tumblers-3-Pack/904975981> (Year: 2025).\*

\* cited by examiner

*Primary Examiner* — Andrew Kerr

(74) *Attorney, Agent, or Firm* — Allen, Dyer, Doppelt & Gilchrist, P.A.

(57) **CLAIM**

The ornamental design for a wreath cup, as shown and described.

**DESCRIPTION**

FIG. 1 is a front perspective view of a wreath cup showing my new design;

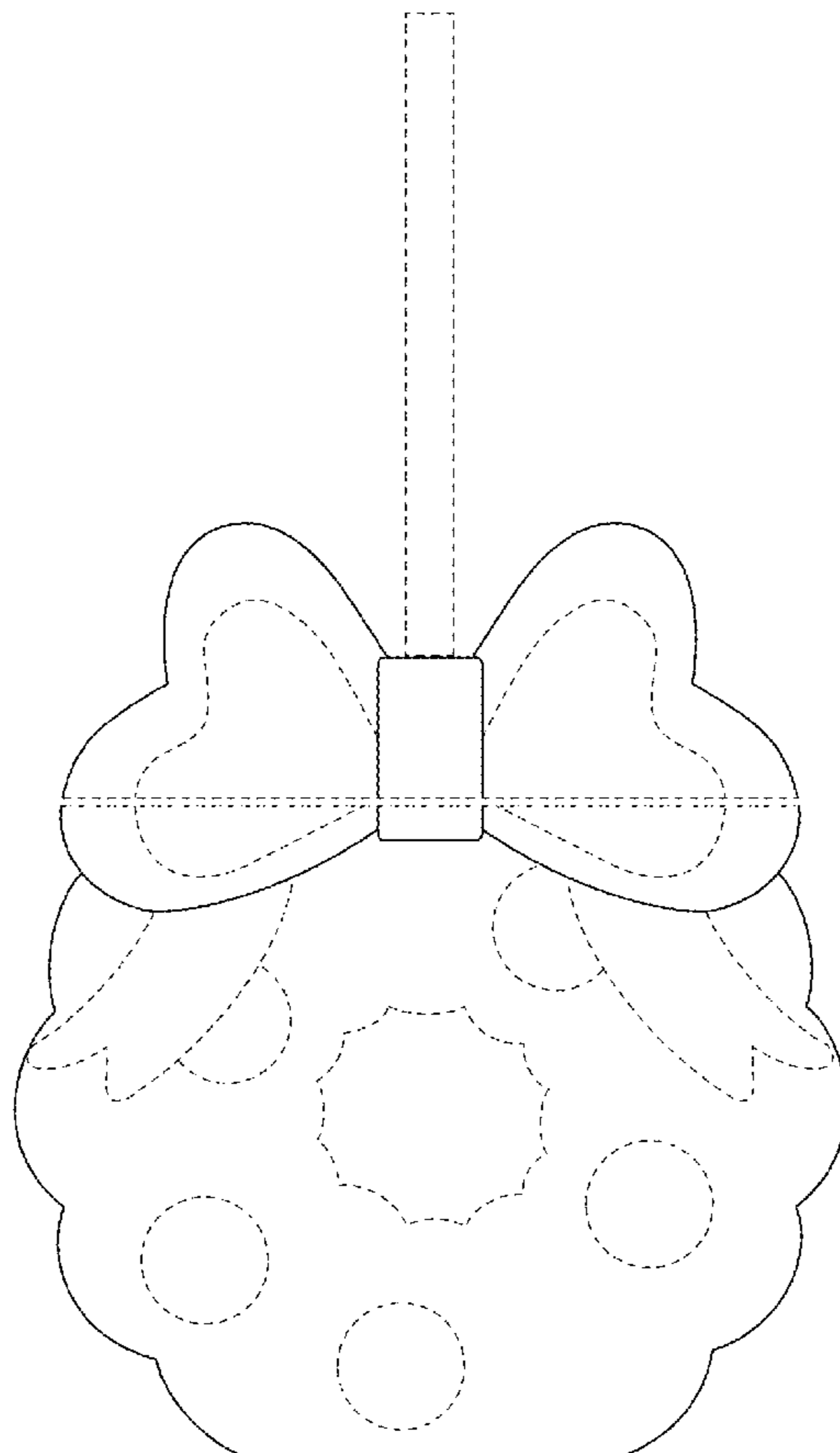
FIG. 2 is a side elevational view thereof;

FIG. 3 is a bottom plan view thereof; and,

FIG. 4 is a top plan view thereof.

The broken lines in the drawings depict portions of the wreath cup that form no part of the claimed design.

**1 Claim, 4 Drawing Sheets**



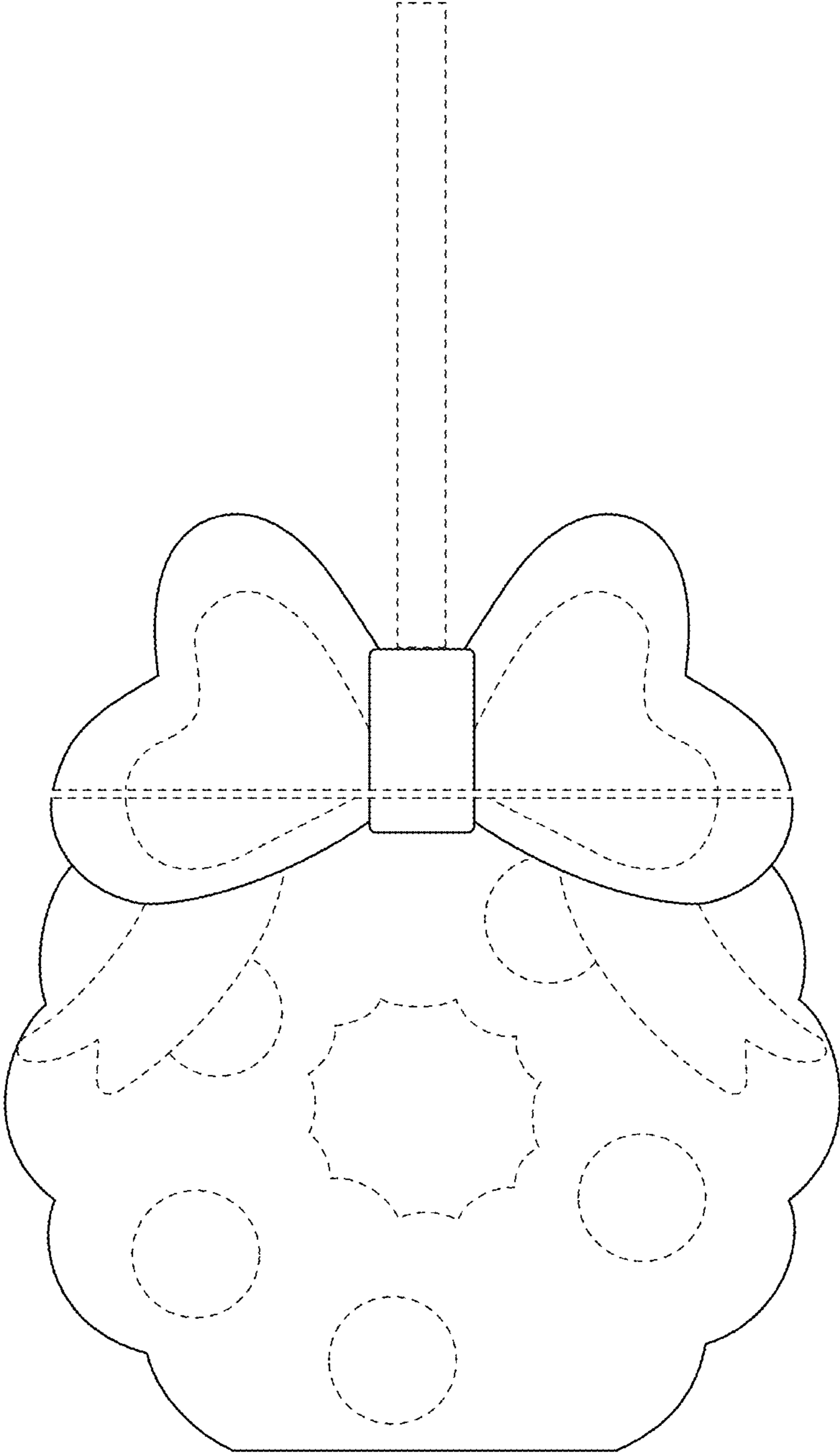


FIG. 1

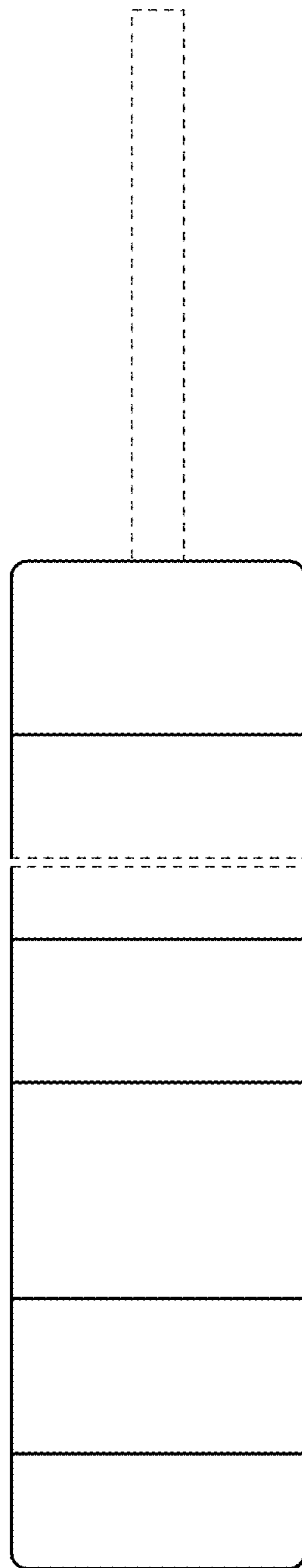


FIG. 2

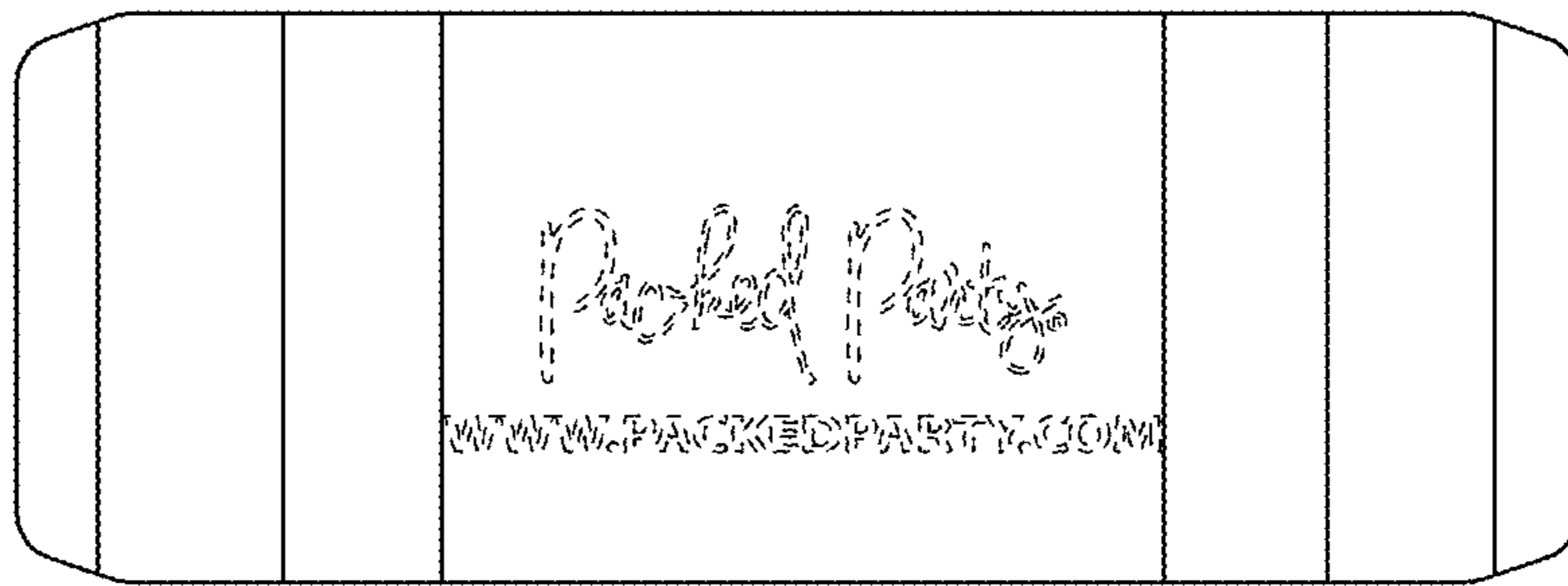


FIG. 3

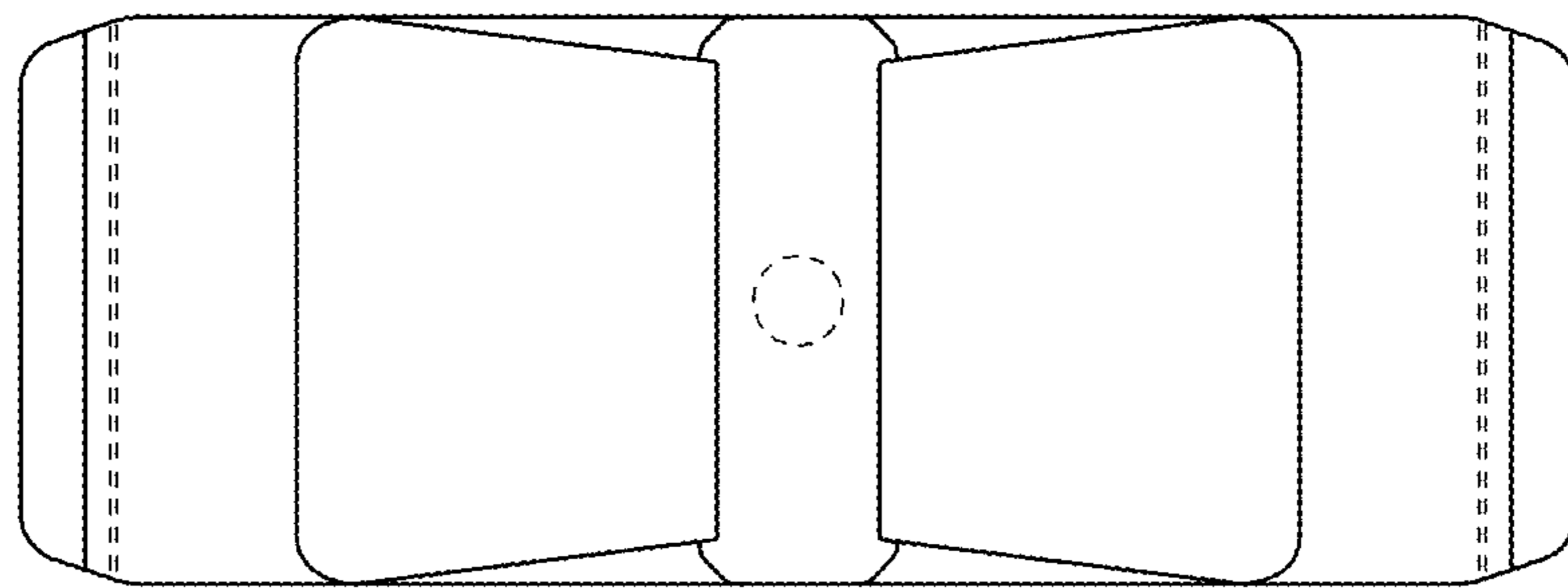


FIG. 4