



US0D1120522S

(12) **United States Design Patent** (10) **Patent No.:** **US D1,120,522 S**
Harper (45) **Date of Patent:** **** Mar. 24, 2026**

(54) **FEEDER** 222/153.13, 401, 1, 146.5, 23, 54, 64, 51,
222/156, 399, 400.8; 219/438, 439, 441,
(71) Applicant: **Doskocil Manufacturing Company,** 219/385, 386, 402, 407; 210/94, 184,
Inc., Arlington, TX (US) 210/474, 477
(Continued)
(72) Inventor: **Mike Harper, Arlington, TX (US)** (56) **References Cited**
(73) Assignee: **Doskocil Manufacturing Company,** U.S. PATENT DOCUMENTS
Inc., Arlington, TX (US)
(**) Term: **15 Years** 1,533,627 A 4/1925 Averill
1,835,964 A 12/1931 Pech et al.
(21) Appl. No.: **30/024,330** (Continued)
(22) Filed: **Sep. 22, 2025**

Related U.S. Application Data

(63) Continuation of application No. 29/932,944, filed on Mar. 15, 2024, now Pat. No. Des. 1,094,915.
(51) **LOC (15) Cl.** **30-07**
(52) **U.S. Cl.**
USPC **D30/122**
(58) **Field of Classification Search**
USPC D30/121, 122, 129-133, 120; 119/61.5,
119/51.01, 61.56, 51.03, 59, 62, 63, 51.5,
119/57.8, 74, 61.54, 61.55, 53, 53.5, 75,
119/56.2, 51.02, 51.11, 51.12, 57.1, 52.1,
119/515; 312/204; 248/151, 188;
108/156, 153.1-157; 220/23.87, 630,
220/737, 743, 9.4, 495.01, 574, 212, 255,
220/23.83; 206/515; D7/586, 543,
D7/550.1, 587, 505, 584, 545, 500,
D7/553.1-553.8, 546, 555, 556, 504, 565,
D7/562, 602, 605, 312, 313, 320, 307,
D7/306, 309, 354, 311, 399, 397, 323,
D7/332, 331, 347, 346, 322, 318, 317,
D7/316, 619.1; D9/429; 43/109;
D22/122; 99/430, DIG. 15, 280, 285,
99/312; 222/209, 131, 363, 349, 517,

OTHER PUBLICATIONS
Petmate Gravity Water Dispenser, 2010, https://www.amazon.com/Petmate-Waterer-Water-Dispenser-Sizes/dp/B003EV7F64/ref=sr_1_15.*

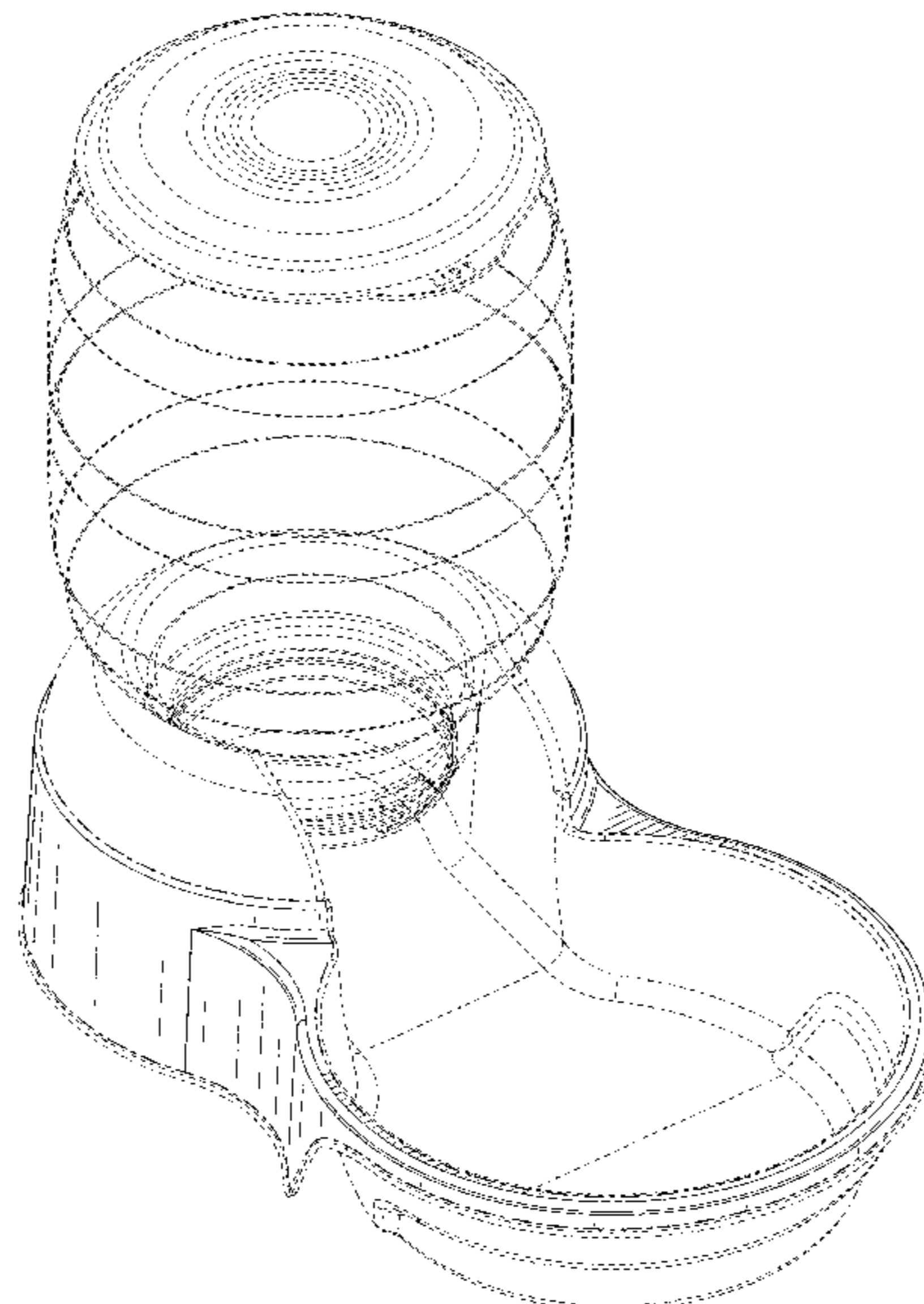
Primary Examiner — Susan Moon Lee
(74) *Attorney, Agent, or Firm* — Foley & Lardner LLP

(57) **CLAIM**
The ornamental design for a feeder as shown and described.

DESCRIPTION

FIG. 1 is a top, front, right perspective view of a feeder in accordance with the new design;
FIG. 2 is a bottom, rear, left perspective view of the feeder of FIG. 1;
FIG. 3 is a top view of the feeder of FIG. 1;
FIG. 4 is a bottom view of the feeder of FIG. 1;
FIG. 5 is a right side view of the feeder of FIG. 1, a left side view being a mirror image thereof;
FIG. 6 is a front view of the feeder of FIG. 1; and,
FIG. 7 is a rear view of the feeder of FIG. 1.
The ornamental design which is claimed is shown in solid lines in the drawings. The broken lines of equal length in the drawings depict portions of the feeder that form no part of the claimed design. Broken lines formed by unequal length dashes (i.e., dash-dot) define bounds of the claimed design.

1 Claim, 6 Drawing Sheets



(58) **Field of Classification Search**
 CPC A01K 5/02; A01K 5/0225; A01K 5/0114;
 A01K 5/025; A01K 5/0266; A01K
 5/0275; A01K 5/0283; A01K 5/0291;
 A01K 5/0258; A01K 5/0142; A01K
 5/0233; A01K 29/00; A01K 7/00; A01K
 7/02-06; G01F 11/24; G01F 23/02; B67D
 1/0425; B67D 1/04; B67D 1/00; B67D
 1/02; B67D 1/0871; B67D 1/0802; A47J
 41/0033; A47J 41/005; A47J 41/0088;
 A47J 41/0094; A47J 31/04; A47J 31/053;
 B05B 11/00; B05B 11/0002; B05B
 11/0005; B05B 11/001; C02F 1/003;
 C02F 1/283; C02F 2307/02
 See application file for complete search history.

8,186,304	B2	5/2012	Harper	
8,245,665	B2	8/2012	Willett	
8,336,493	B1	12/2012	Weber	
D678,624	S	3/2013	Willett	
8,387,566	B2	3/2013	Graves et al.	
8,448,603	B2	5/2013	Northrop et al.	
8,555,816	B2	10/2013	Weber et al.	
D703,392	S	4/2014	Desberg	
9,560,833	B2	2/2017	Qiu	
D786,082	S	5/2017	Kachar et al.	
D786,083	S	5/2017	Baker et al.	
D786,084	S	5/2017	Kachar et al.	
D802,852	S	11/2017	Baker et al.	
9,974,279	B2	5/2018	Northrop et al.	
D827,213	S	8/2018	Veness et al.	
D882,881	S	4/2020	Gevaert	
10,687,511	B2	6/2020	Gevaert	
D955,065	S	6/2022	Babal	
D972,227	S	12/2022	Tan	
D985,858	S	5/2023	Peng	
D1,011,646	S	1/2024	Chen	
D1,054,118	S	12/2024	Cen	
D1,057,308	S	1/2025	Miller et al.	
D1,067,541	S	3/2025	Zhang	
D1,094,915	S *	9/2025	Harper	D30/122
2002/0096120	A1	7/2002	Busha	
2004/0118356	A1	6/2004	Krishnamurthy	
2007/0056314	A1	3/2007	Mali et al.	
2007/0277738	A1	12/2007	Dentsbier	
2010/0050950	A1	3/2010	Graves et al.	
2010/0122660	A1	5/2010	Willett	
2011/0107973	A1	5/2011	Jenkins	
2011/0132268	A1	6/2011	Weber et al.	
2011/0239950	A1	10/2011	Harper	
2011/0247565	A1	10/2011	Northrop et al.	
2012/0125263	A1	5/2012	Northrop et al.	
2013/0233248	A1	9/2013	Veness et al.	
2013/0269620	A1 *	10/2013	Qiu	A01K 7/00 119/56.1
2016/0212968	A1 *	7/2016	Ritnour	A01K 5/0225

(56) **References Cited**
 U.S. PATENT DOCUMENTS

3,720,184	A	3/1973	Pearce
4,840,143	A	6/1989	Simon
D351,689	S	10/1994	Vanskiver
D374,109	S	9/1996	Lillelund et al.
5,845,600	A	12/1998	Mendes
D406,924	S	3/1999	Kolozsvari
D406,926	S	3/1999	Kolozsvari
D455,526	S	4/2002	Chrisco et al.
D457,692	S	5/2002	Skurdalsvold et al.
6,401,657	B1	6/2002	Krishnamurthy
6,467,428	B1	10/2002	Andrisin et al.
6,477,981	B1	11/2002	Harper
6,739,284	B1	5/2004	Olive
6,789,503	B1	9/2004	Gao
6,928,954	B2	8/2005	Krishnamurthy
7,040,249	B1	5/2006	Mushen
D642,335	S	7/2011	Weber
7,987,817	B2	8/2011	Johnson
D655,053	S	2/2012	Weber

* cited by examiner

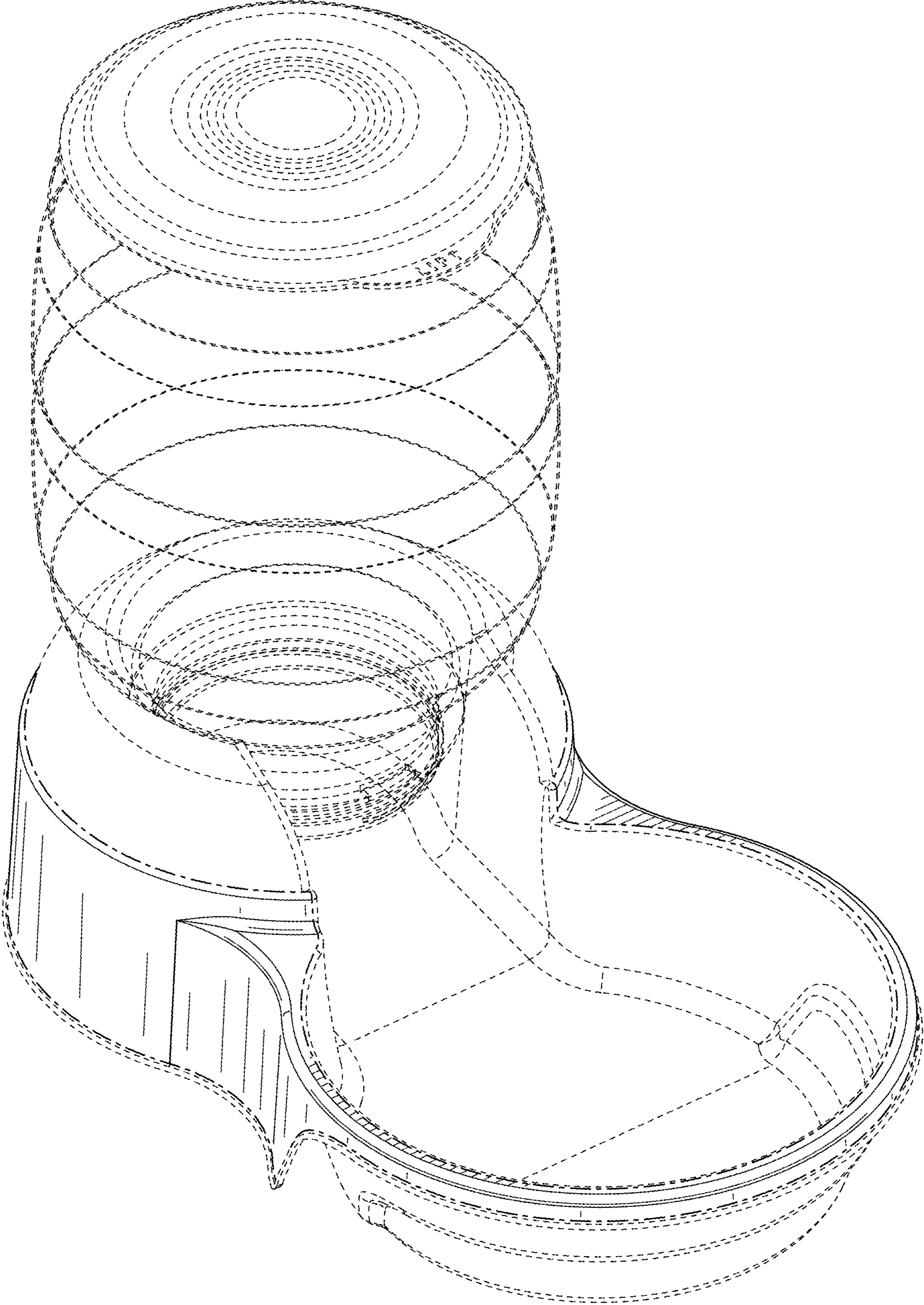


FIG. 1

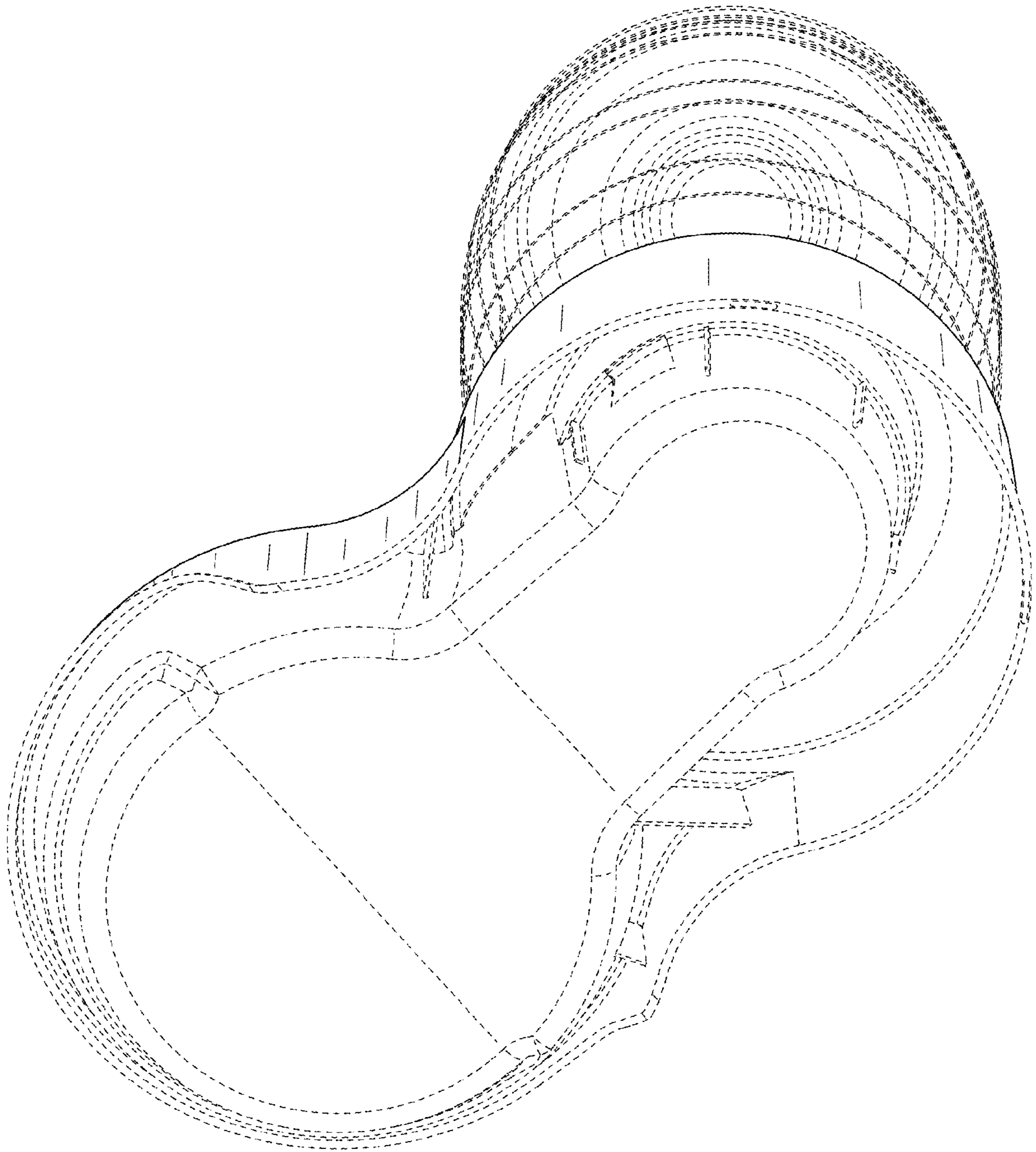


FIG. 2

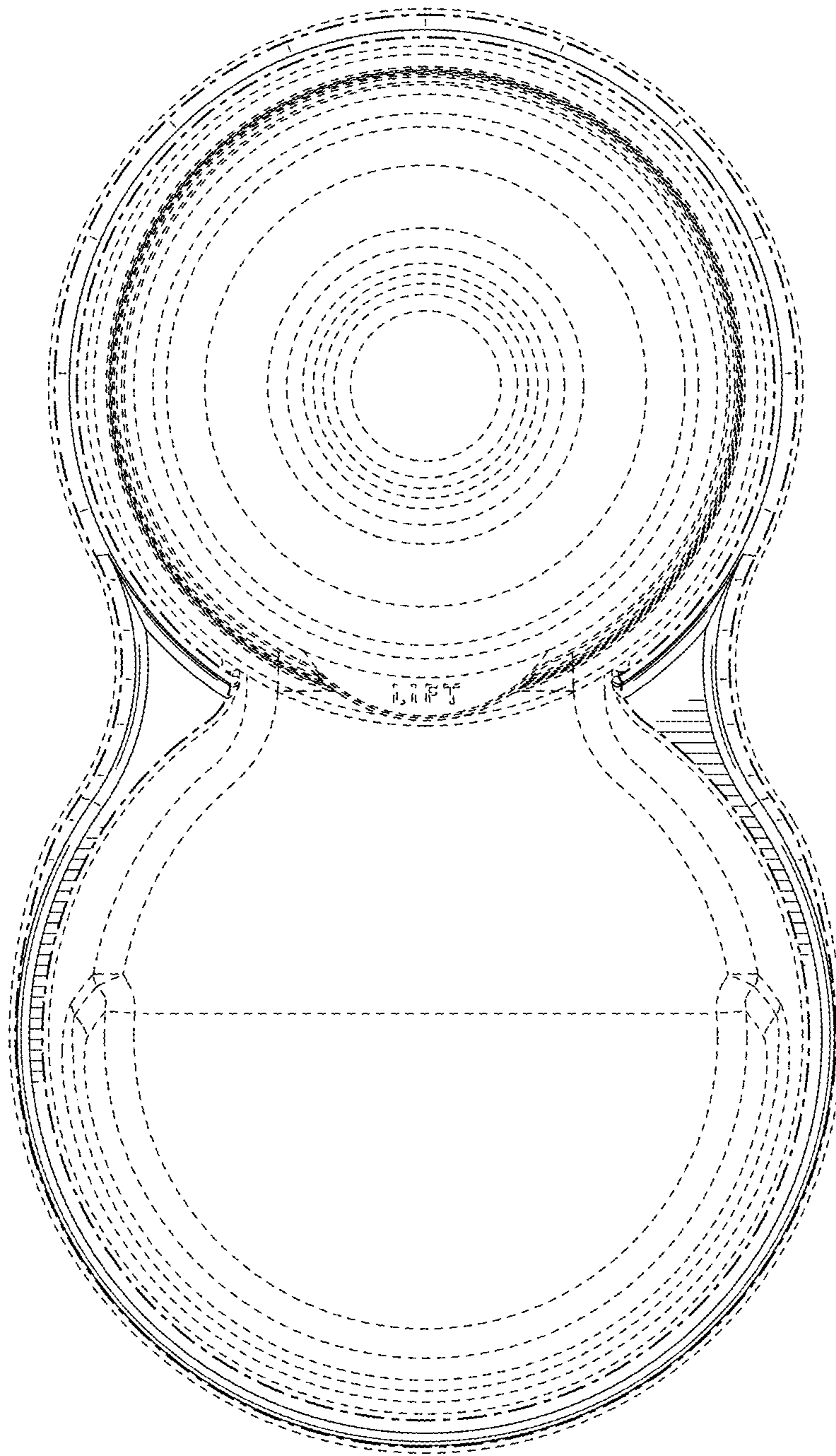


FIG. 3

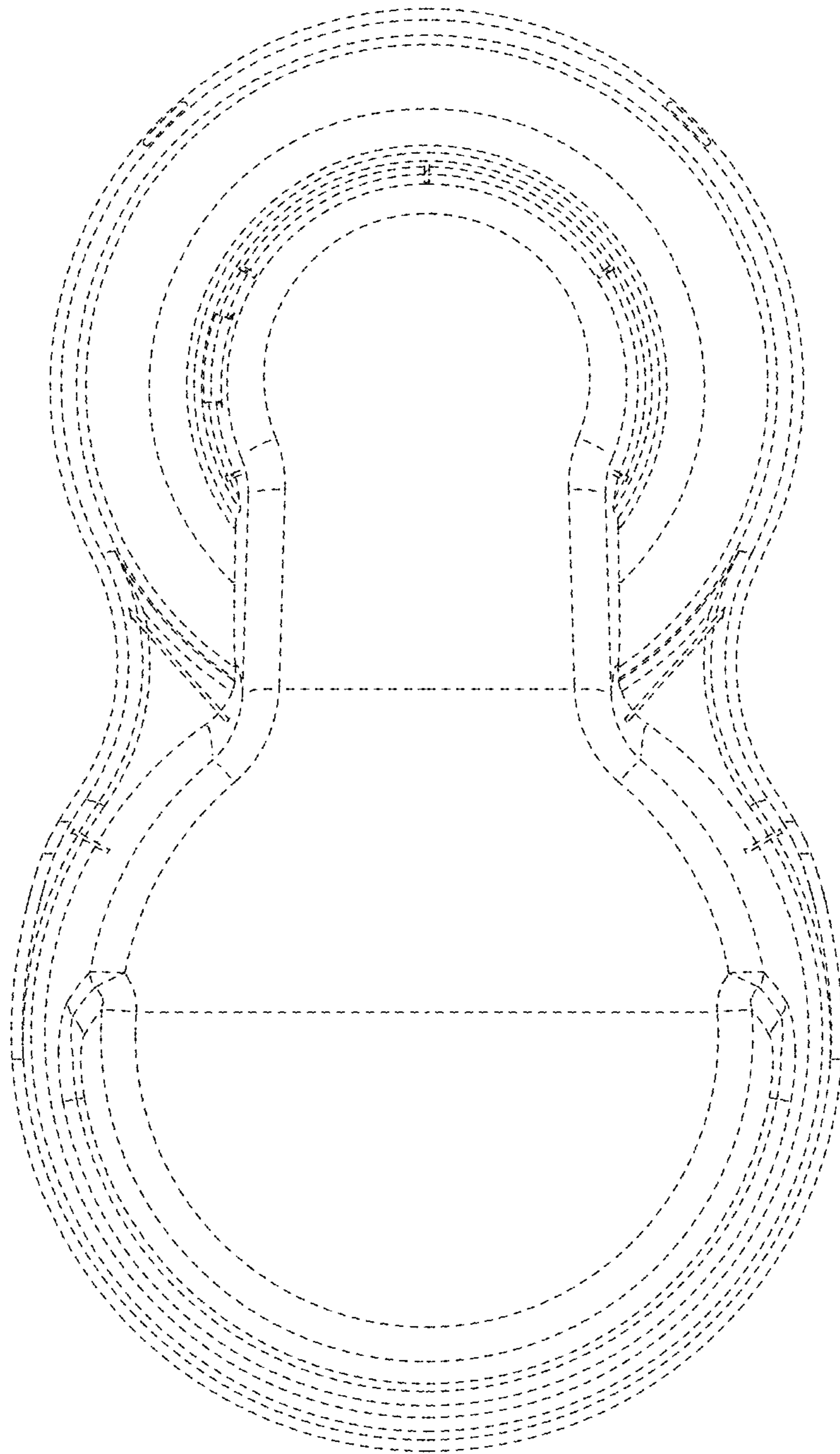


FIG. 4

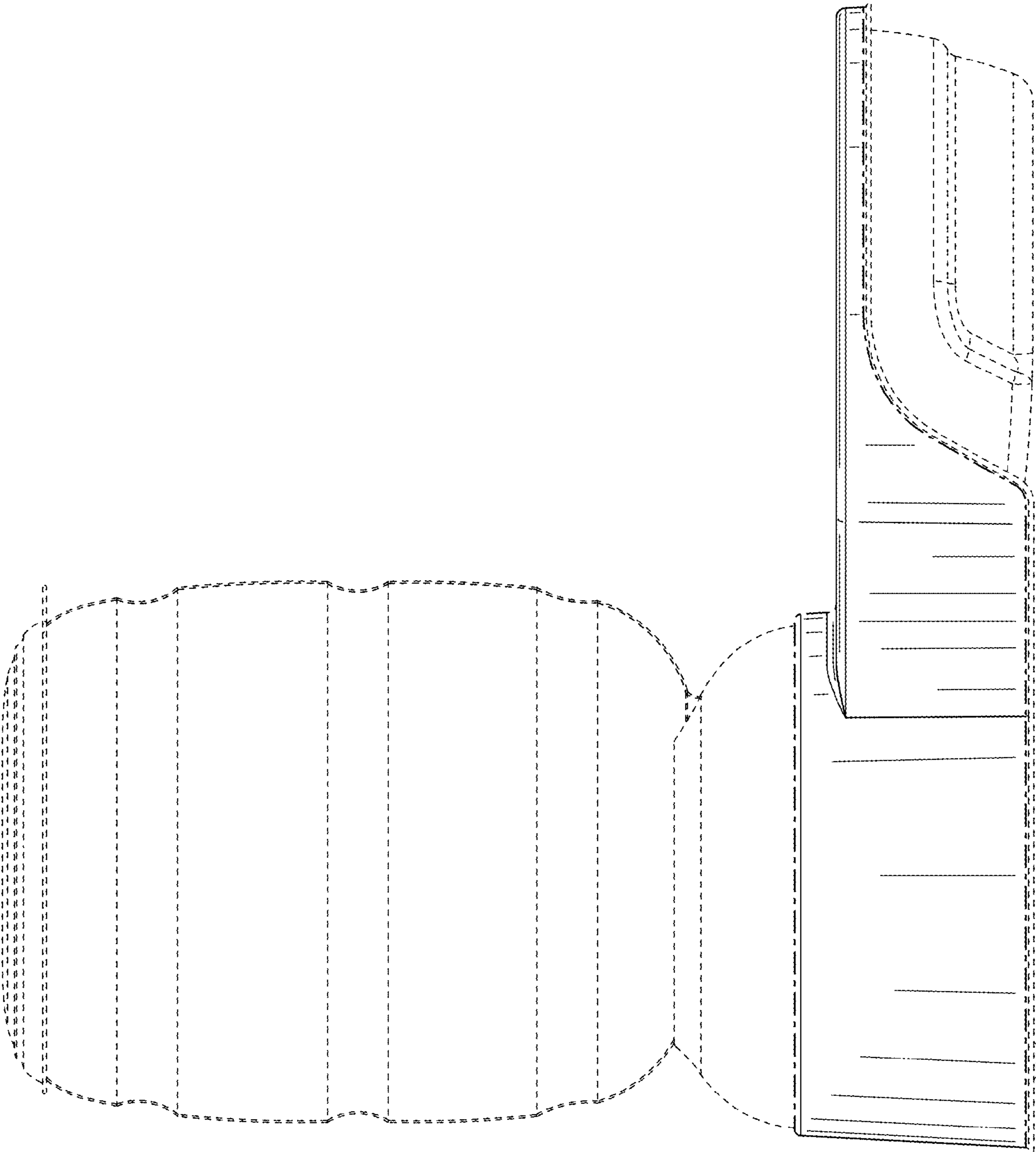


FIG. 5

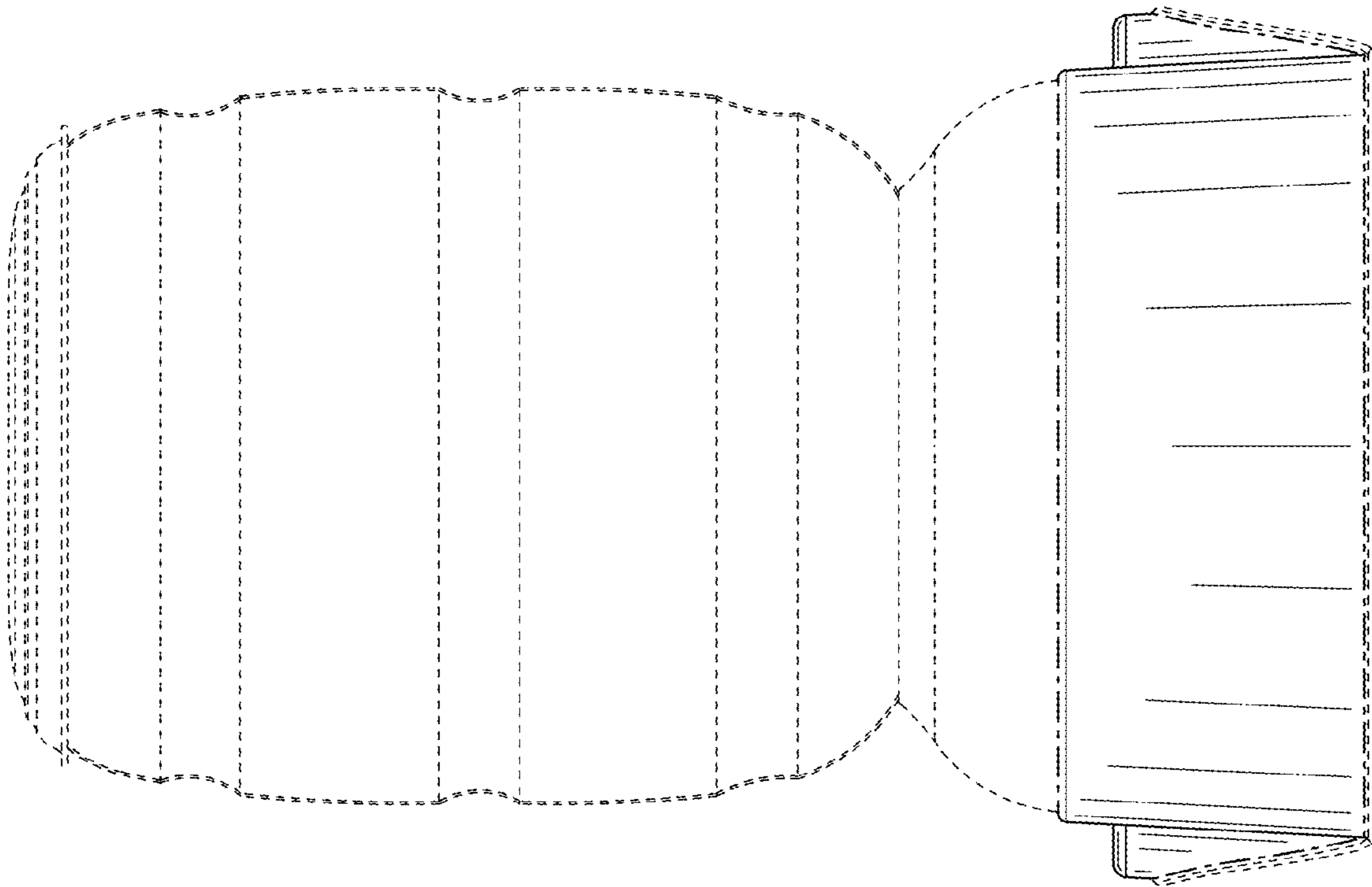


FIG. 7

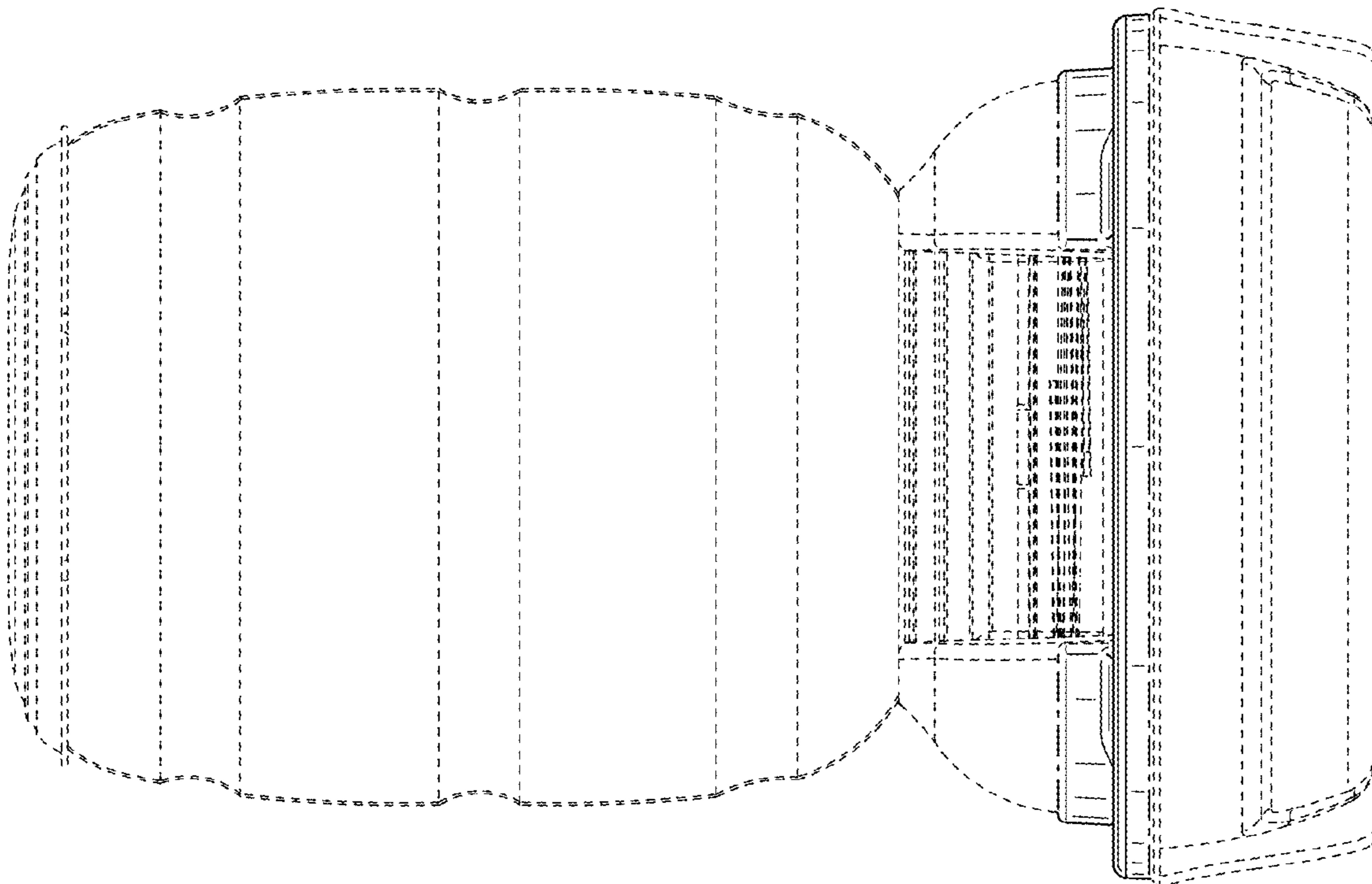


FIG. 6