



US0D1120430S

(12) **United States Design Patent**  
**Gold**

(10) **Patent No.:** **US D1,120,430 S**

(45) **Date of Patent:** **\*\* Mar. 24, 2026**

(54) **KNUCKLE MOUNT LIGHT WITH SHIELD CAP**

D748,838 S \* 2/2016 Brynjolfsson ..... D26/63  
D773,709 S \* 12/2016 Yang ..... D26/63  
D800,938 S \* 10/2017 Guercio ..... D26/63

(Continued)

(71) Applicant: **Brilliance LED, LLC**, Plano, TX (US)

(72) Inventor: **Bryan Gold**, Carefree, AZ (US)

(73) Assignee: **Brilliance LED, LLC**, Plano, TX (US)

(\*\*) Term: **15 Years**

(21) Appl. No.: **29/960,011**

(22) Filed: **Aug. 28, 2024**

(51) **LOC (15) Cl.** ..... **26-05**

(52) **U.S. Cl.**  
USPC ..... **D26/63**

(58) **Field of Classification Search**  
USPC ..... D26/1, 24, 60-66, 71, 72, 87, 88, 92  
CPC ..... F21Y 2115/10; F21Y 2105/10; F21V  
29/763; F21V 29/74; F21S 8/003; F21S  
9/022; F21W 2131/103; F21W 2131/10;  
F21W 2131/40

See application file for complete search history.

(56) **References Cited**

**U.S. PATENT DOCUMENTS**

4,310,875 A \* 1/1982 Price ..... F21V 21/30  
362/427  
5,584,574 A \* 12/1996 Haddad ..... F21V 21/30  
362/442  
D473,669 S \* 4/2003 Hille ..... D26/63  
D495,079 S \* 8/2004 Mullen ..... D26/63  
D519,662 S \* 4/2006 Mullen ..... D26/63  
D544,137 S \* 6/2007 Montefusco ..... D26/118  
D560,838 S \* 1/2008 Monroe ..... D26/63  
D574,532 S \* 8/2008 Lee ..... D26/63  
D583,975 S \* 12/2008 Kushinskaya ..... D26/63  
D638,159 S \* 5/2011 Yao ..... D26/68  
D713,579 S \* 9/2014 Chen ..... D26/63  
D723,726 S \* 3/2015 Reed ..... D26/63  
D735,923 S \* 8/2015 Helms ..... D26/63

**FOREIGN PATENT DOCUMENTS**

CN 309227457 \* 4/2025  
JP D1797982 \* 5/2025

**OTHER PUBLICATIONS**

“Arches”, available in brillianceled.com, first available Unknown, visited Aug. 20, 2025, URL: <https://brillianceled.com/arches/> (Year: 2025).\*

(Continued)

*Primary Examiner* — Richard Kearney  
*Assistant Examiner* — Anthony Vincent Rotolo  
(74) *Attorney, Agent, or Firm* — Venjuris P.C.; Michael Campillo

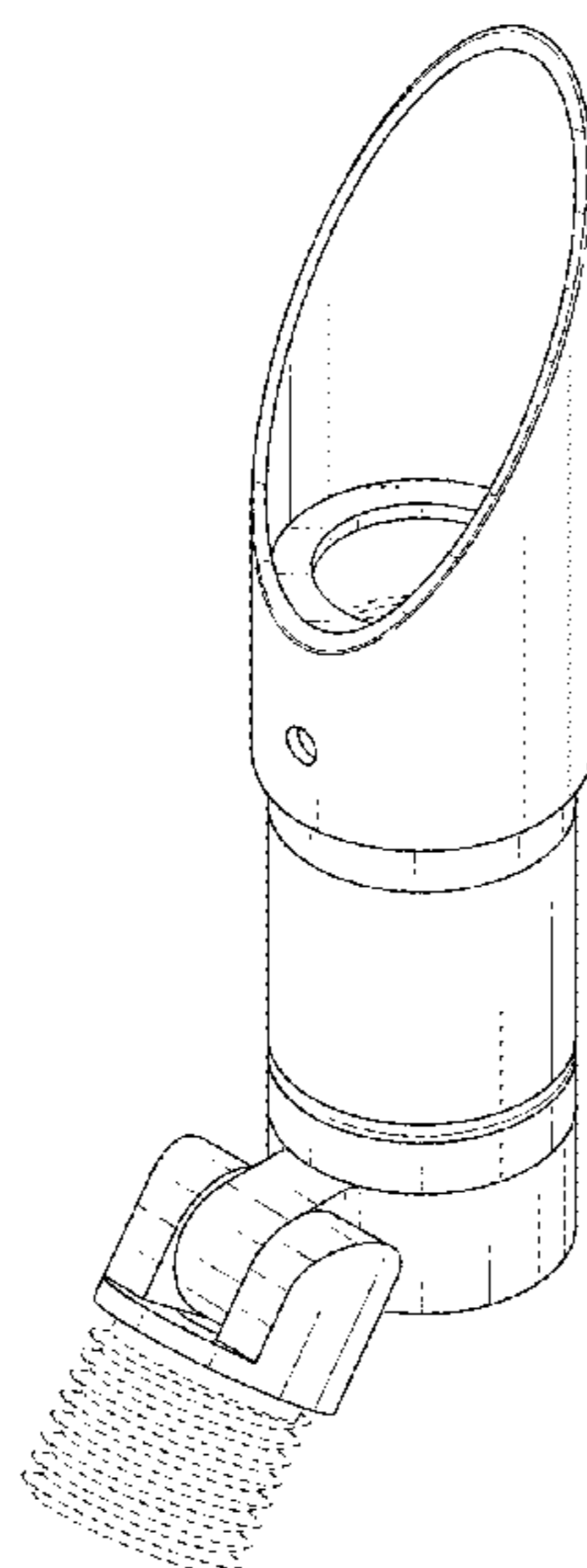
(57) **CLAIM**

The ornamental design for a knuckle mount light with shield cap, as shown and described.

**DESCRIPTION**

FIG. 1 is a perspective view of a knuckle mount light with shield cap embodying the new design;  
FIG. 2 is a front view of the knuckle mount light with shield cap;  
FIG. 3 is a rear view of the knuckle mount light with shield cap;  
FIG. 4 is a left side view of the knuckle mount light with shield cap;  
FIG. 5 is a right-side view of the knuckle mount light with shield cap;  
FIG. 6 is a top view of the knuckle mount light with shield cap; and,  
FIG. 7 is a bottom view of the knuckle mount light with shield cap.

**1 Claim, 2 Drawing Sheets**



(56)

**References Cited**

U.S. PATENT DOCUMENTS

D818,171 S \* 5/2018 Brynjolfsson ..... D26/63  
D893,787 S \* 8/2020 Moriarty ..... D26/63  
D1,017,860 S \* 3/2024 Harders ..... D26/63  
D1,038,472 S \* 8/2024 Li ..... D26/63  
D1,067,491 S \* 3/2025 Liu ..... D26/72  
D1,085,498 S \* 7/2025 Wen ..... D26/63  
2022/0082223 A1 \* 3/2022 Zhang ..... B08B 1/34  
2025/0146649 A1 \* 5/2025 Long ..... F21V 5/008

OTHER PUBLICATIONS

“WAC Landscape Lighting, LED 12V”, available in Amazon.com,  
first available Jun. 18, 2018, visited Aug. 20, 2025, URL: [https://  
www.amazon.com/dp/B07HGW9RFN](https://www.amazon.com/dp/B07HGW9RFN) (Year: 2018).\*

\* cited by examiner

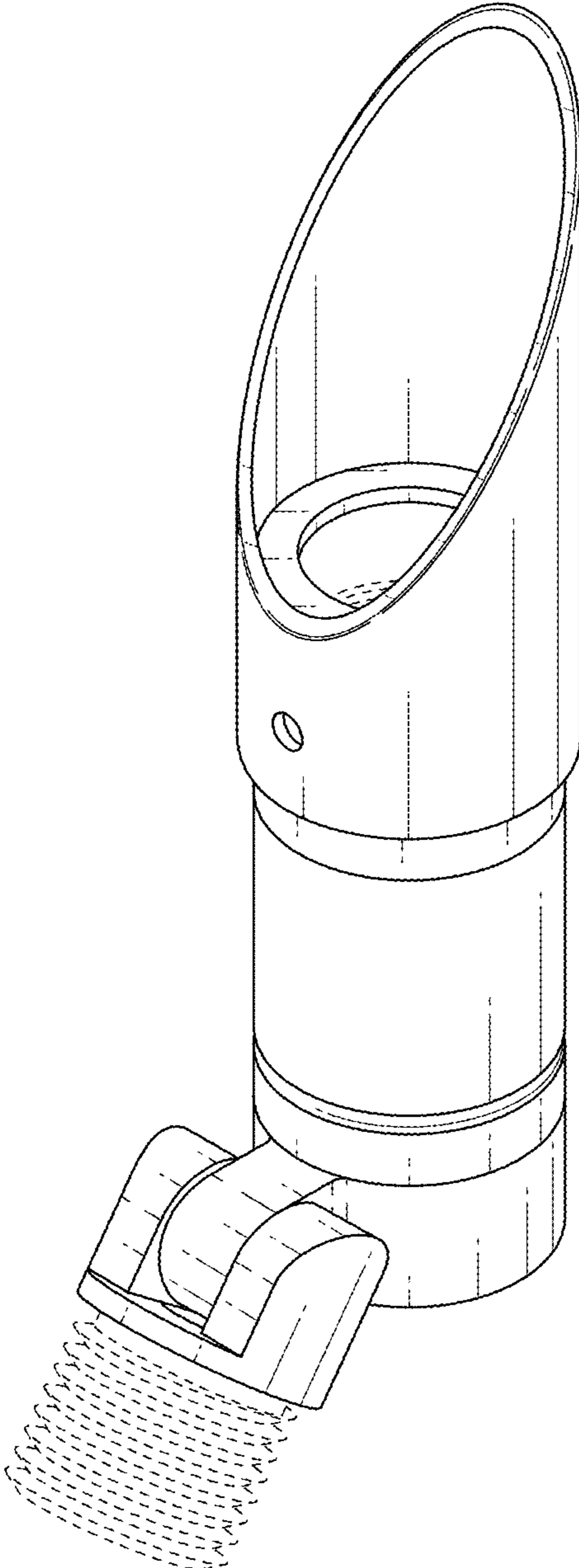


FIG. 1

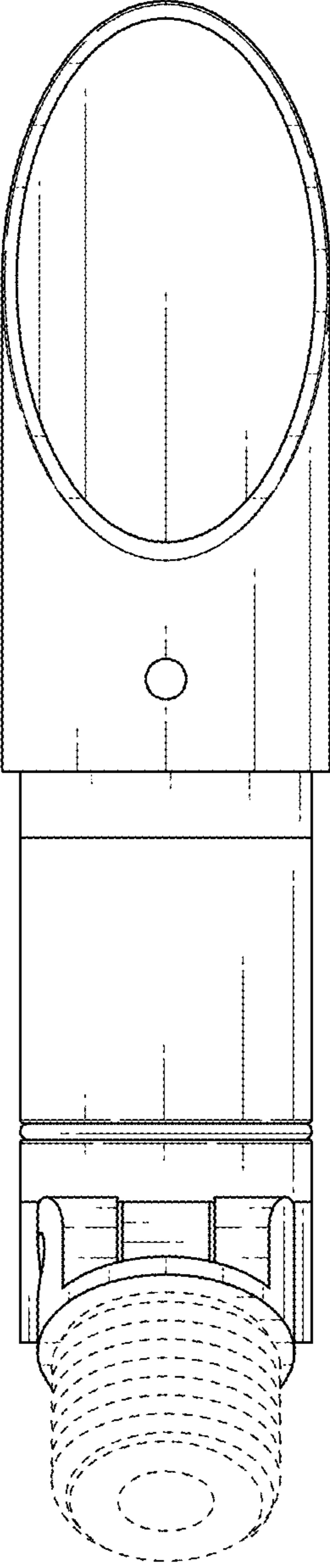


FIG. 2

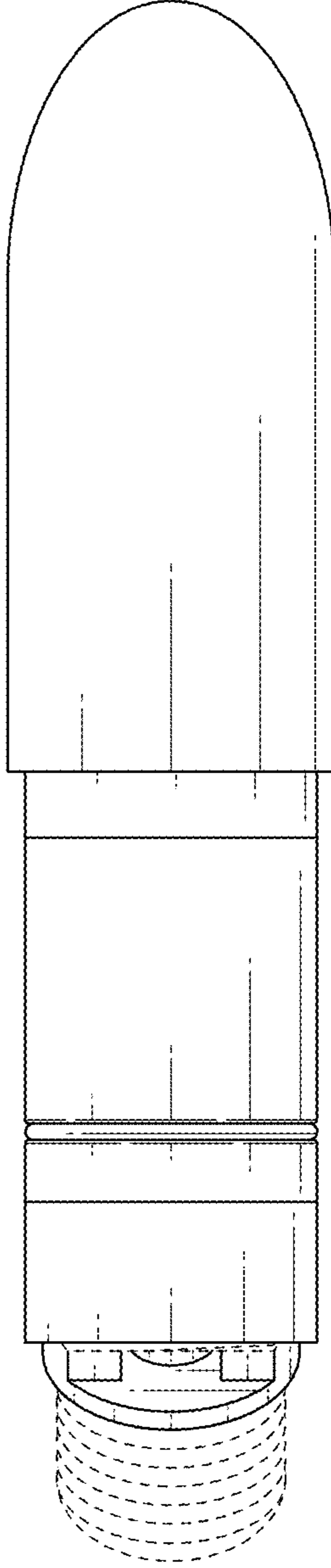


FIG. 3

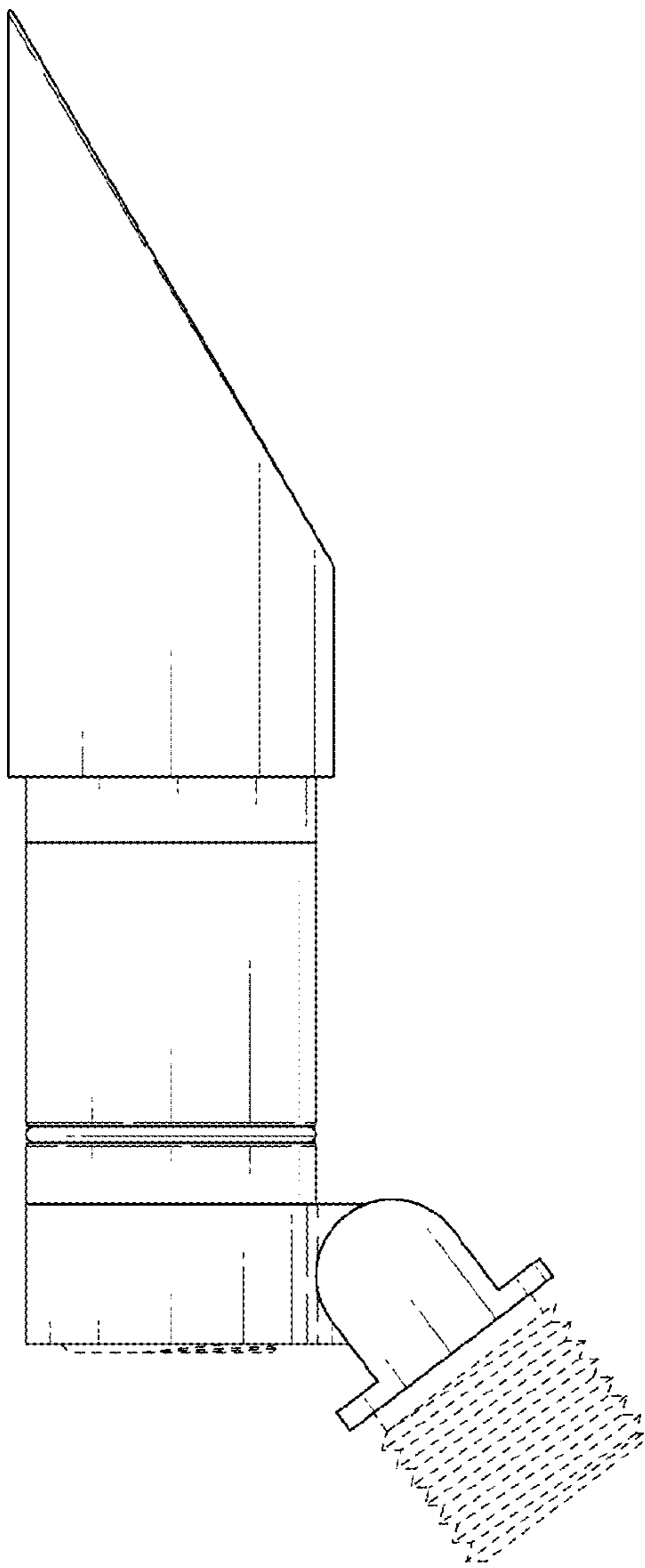


FIG. 4

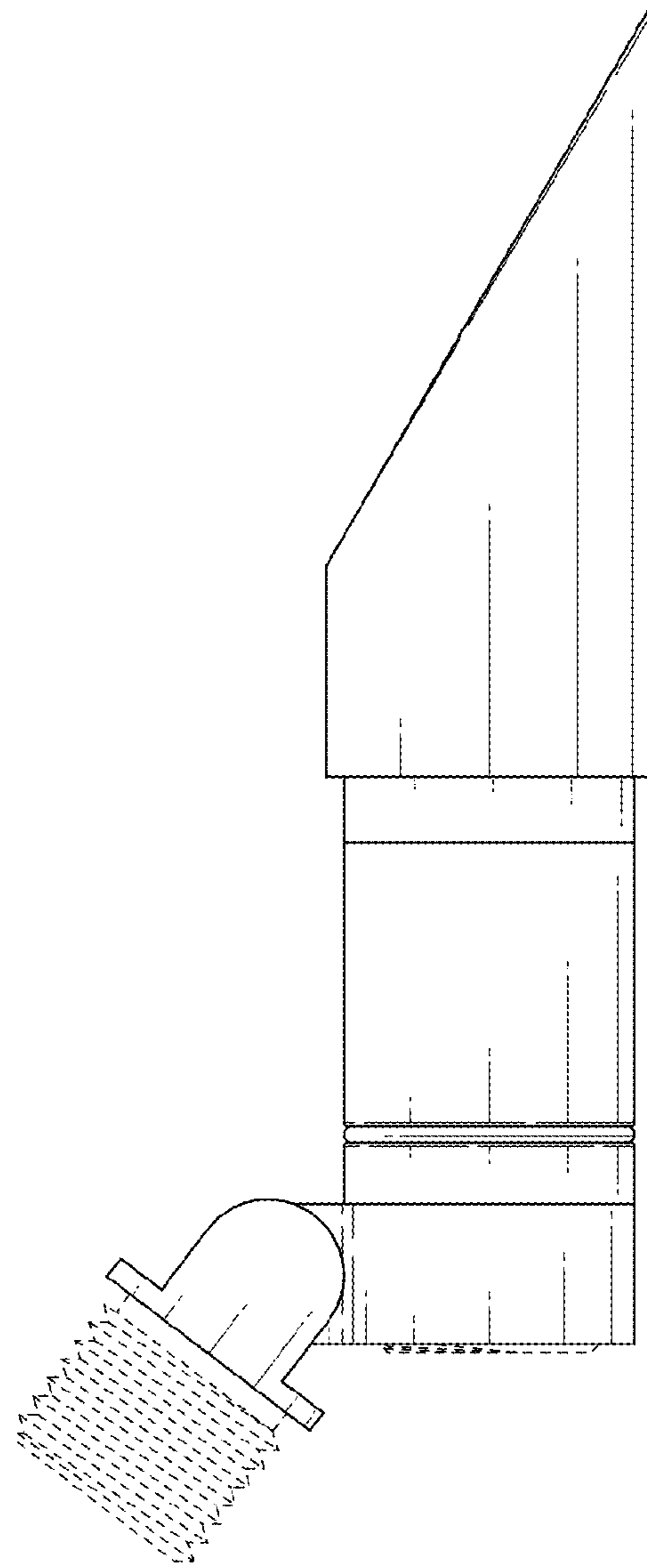


FIG. 5

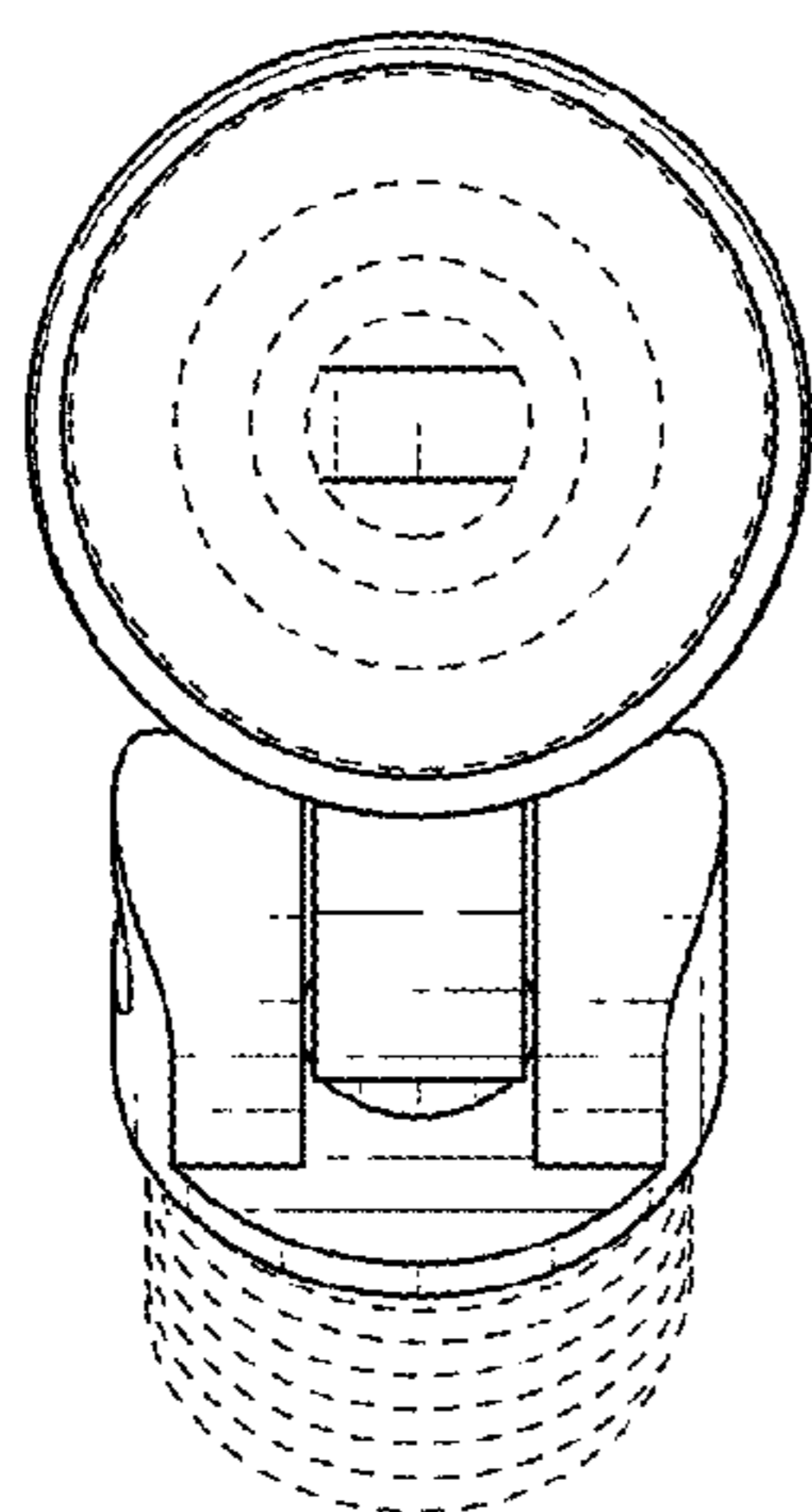


FIG. 6

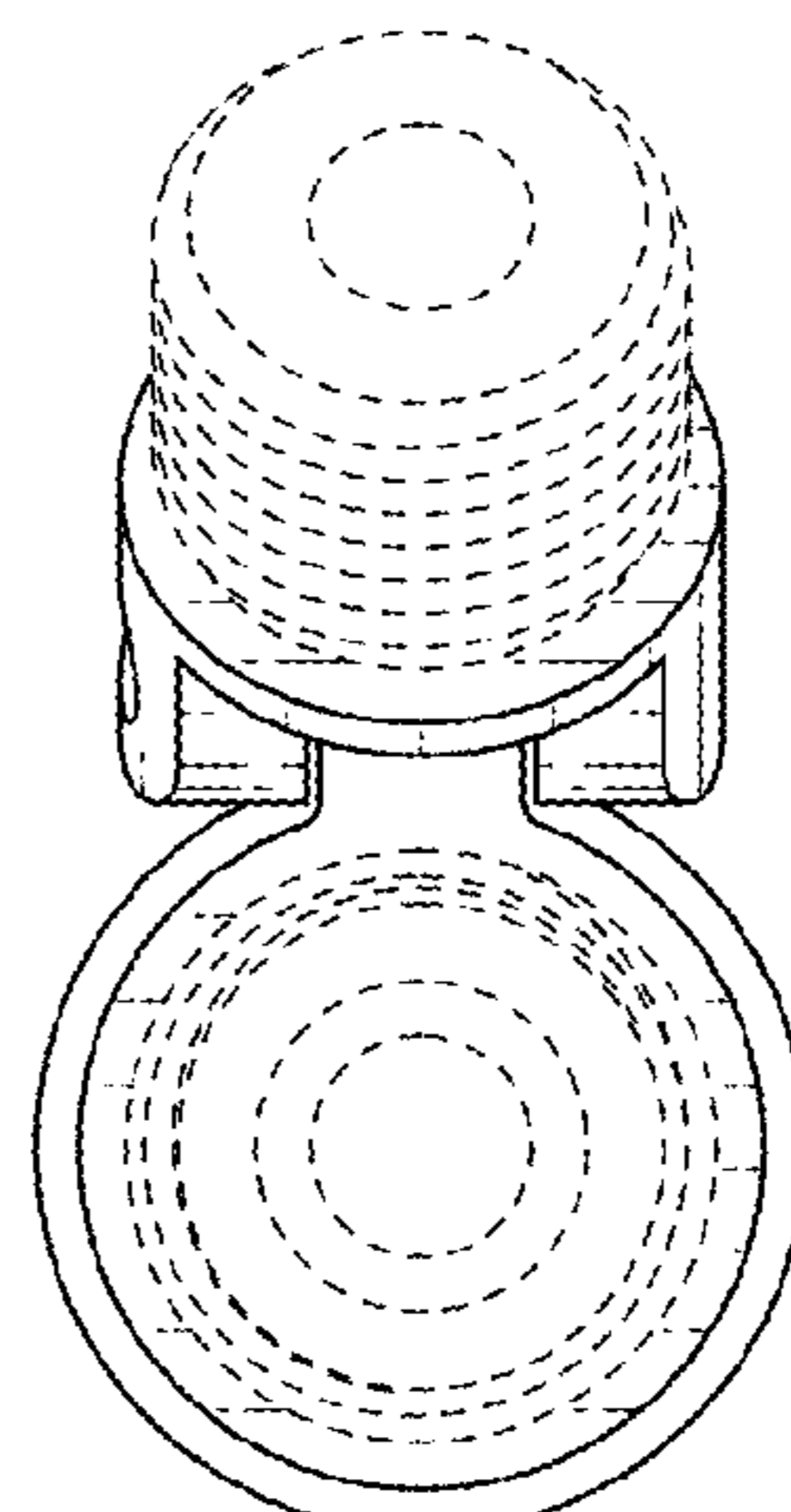


FIG. 7