



US0D1120285S

(12) **United States Design Patent**
Jones

(10) **Patent No.:** **US D1,120,285 S**

(45) **Date of Patent:** **** Mar. 24, 2026**

(54) **CEILING FAN**

(71) Applicant: **CRAFTMADE INTERNATIONAL, INC.**, Grand Prairie, TX (US)

(72) Inventor: **Jimmy J. Jones**, Crowley, TX (US)

(73) Assignee: **Craftmade International, Inc.**, Grand Prairie, TX (US)

(**) Term: **15 Years**

(21) Appl. No.: **29/965,231**

(22) Filed: **Sep. 26, 2024**

(51) **LOC (15) Cl.** **23-04**

(52) **U.S. Cl.**
USPC **D23/377**

(58) **Field of Classification Search**
USPC D23/370, 377, 379, 385, 411-414;
D26/59
CPC F04D 25/088; F04D 29/38; F04D 29/384;
F04D 29/386; F21V 33/0096
See application file for complete search history.

D1,006,280 S * 11/2023 Li D23/377
D1,006,978 S * 12/2023 Li D23/377
D1,008,443 S * 12/2023 Zhang D23/370
D1,008,506 S * 12/2023 Hu D26/59
D1,025,421 S * 4/2024 Wu D23/377
D1,050,396 S * 11/2024 Long D23/377
D1,054,080 S * 12/2024 Rajasekaran D26/59
D1,074,975 S * 5/2025 Zhou D23/377
D1,089,755 S * 8/2025 Rajasekaran D26/59
D1,089,759 S * 8/2025 Tang D26/59
D1,089,761 S * 8/2025 Lun D26/59

(Continued)

OTHER PUBLICATIONS

Craftmade 2025 New Product Introduction, date posted Dec. 30, 2024, site visited Dec. 26, 2025, available from internet <<https://www.youtube.com/watch?v=NclotAfsHDk>>.*

Primary Examiner — Sharon S Oum

(74) *Attorney, Agent, or Firm* — Guy V. Manning

(57) **CLAIM**

The ornamental design for a ceiling fan as shown and described.

(56) **References Cited**

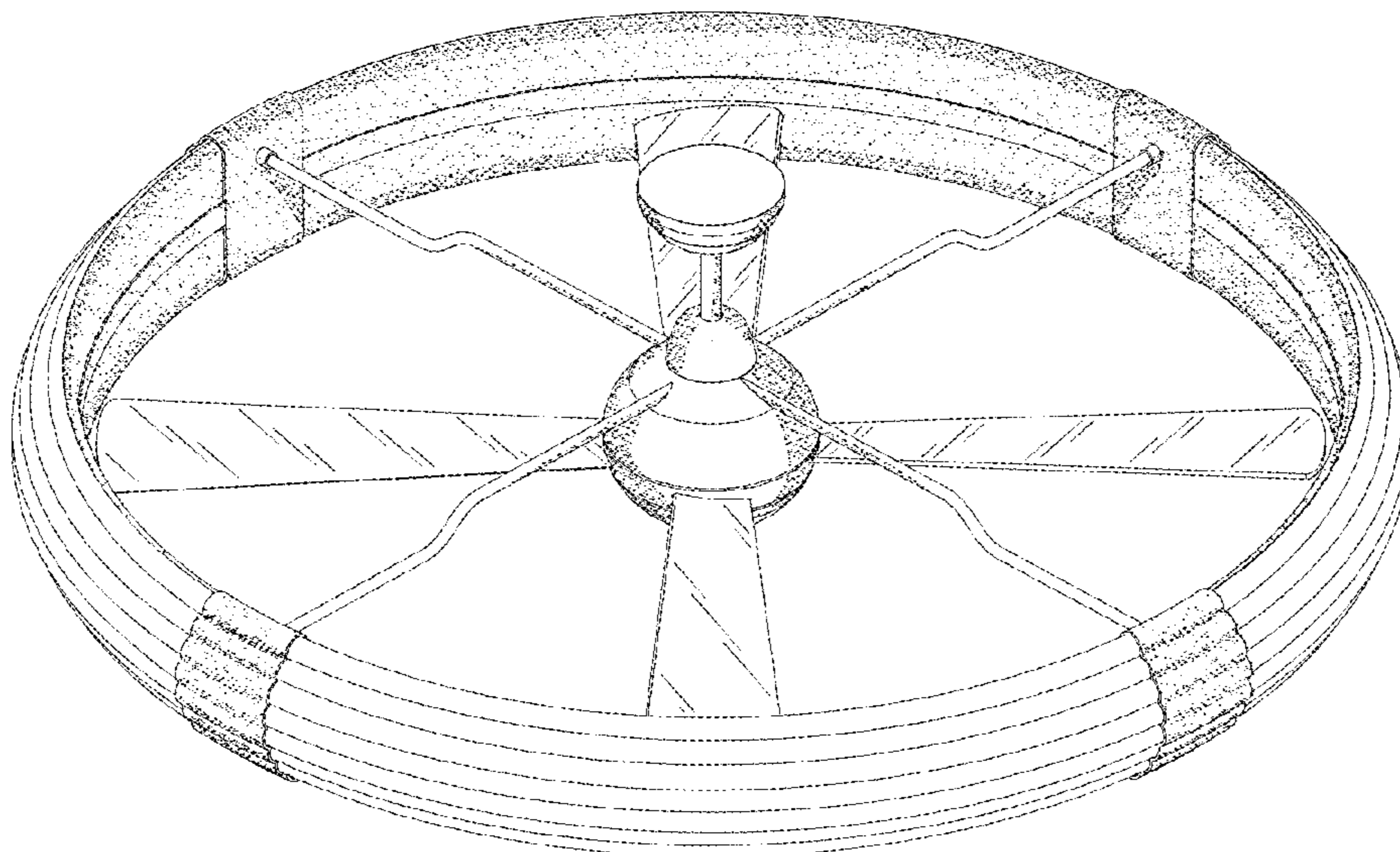
U.S. PATENT DOCUMENTS

D187,699 S * 4/1960 Van Rijn D23/379
D296,130 S * 6/1988 Riske D23/378
6,193,384 B1 * 2/2001 Stein F21V 33/0096
362/812
D715,904 S * 10/2014 Tate D23/387
D777,312 S * 1/2017 Badarello D23/377
D890,978 S * 7/2020 Birchler D26/88
D907,756 S * 1/2021 Birchler D23/385
D923,855 S * 6/2021 Dolan D26/88
D945,595 S * 3/2022 Biancuzzo D23/382
D967,390 S * 10/2022 Shang D23/377
D978,324 S * 2/2023 Lv D26/59
D983,957 S * 4/2023 Lv D26/59
D998,131 S * 9/2023 Kong D23/377
D998,219 S * 9/2023 Browning D26/88
D1,006,209 S * 11/2023 Li D23/377

DESCRIPTION

FIG. 1 is an elevated front perspective view of the new design for a ceiling fan;
FIG. 2 is a lowered front perspective view of the design of FIG. 1;
FIG. 3 is a top plan view of the design of FIG. 1;
FIG. 4 is a bottom plan view of the design of FIG. 1;
FIG. 5 is a front elevational view of the design of FIG. 1, the rear, left and right side elevational views thereof being the same as the image of FIG. 5; and,
FIG. 6 is a left, front quartering elevational view of the design of FIG. 1, the right front quartering, left rear quartering and right rear quartering elevational views being the same as the image of FIG. 6.

1 Claim, 3 Drawing Sheets



(56)

References Cited

U.S. PATENT DOCUMENTS

12,429,180 B1 * 9/2025 Zheng F21S 4/28
D1,102,582 S * 11/2025 Liang D23/377
2023/0097560 A1 * 3/2023 Chang F21V 33/0096
416/204 R

* cited by examiner

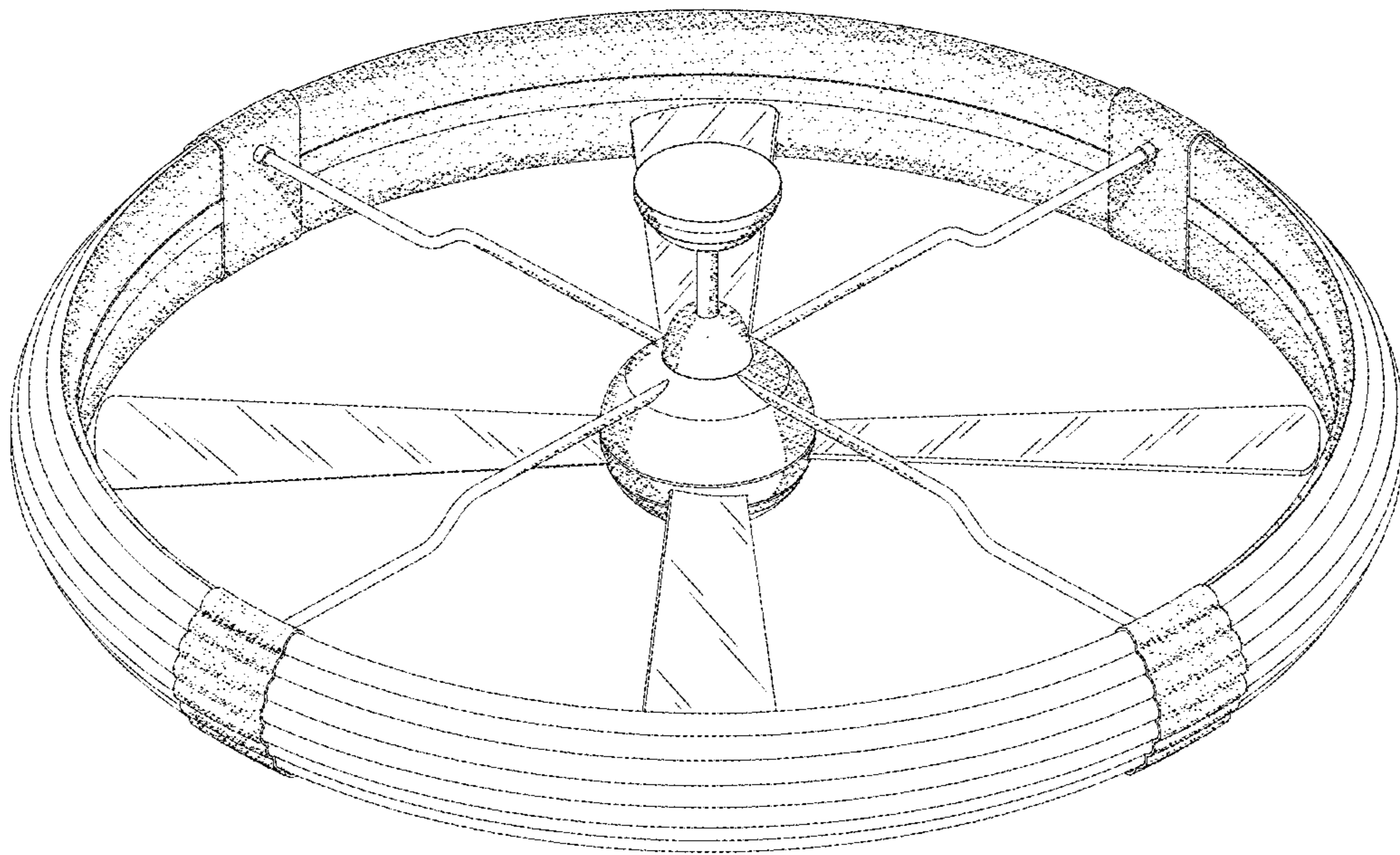


Fig. 1

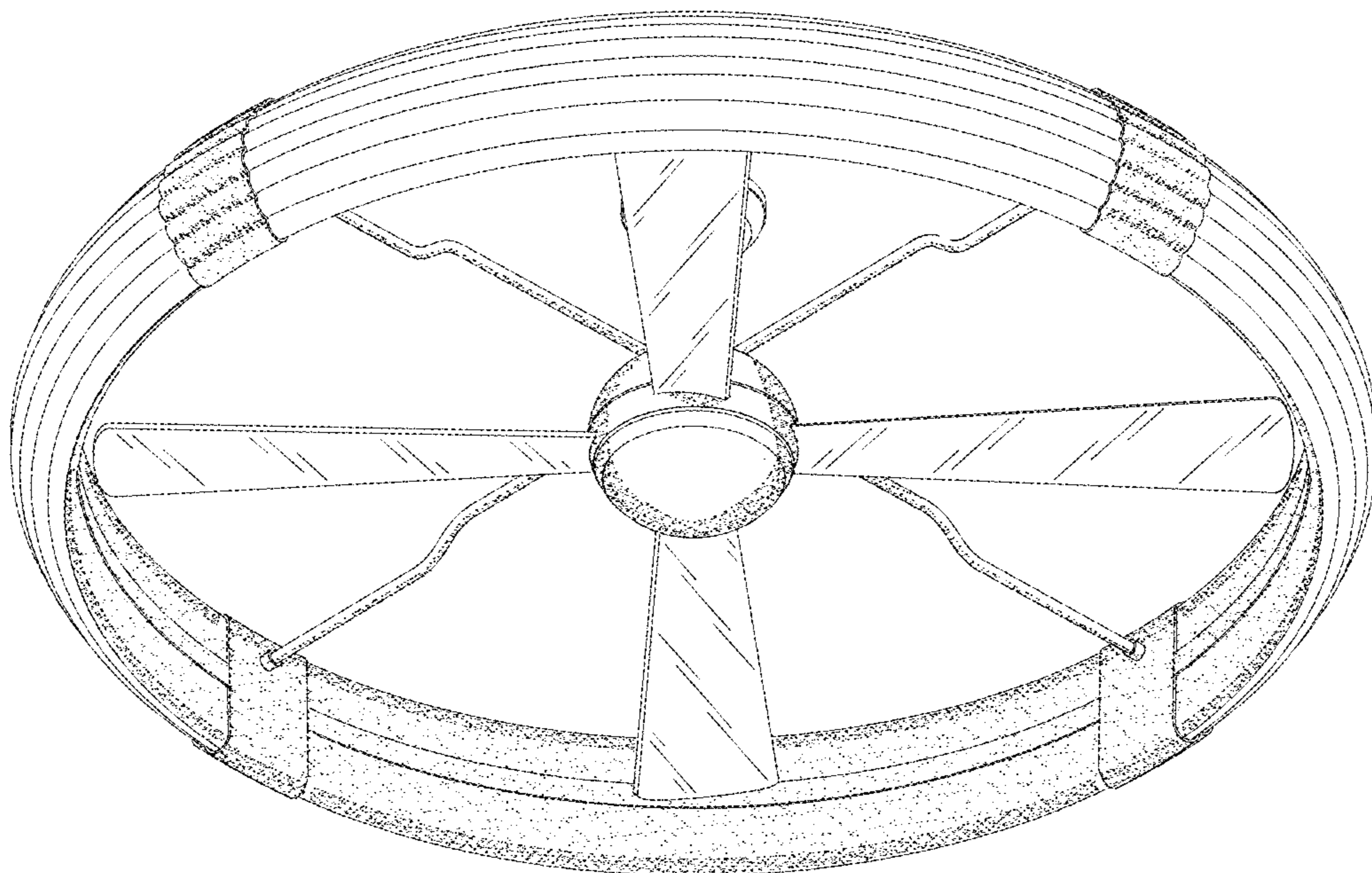


Fig. 2

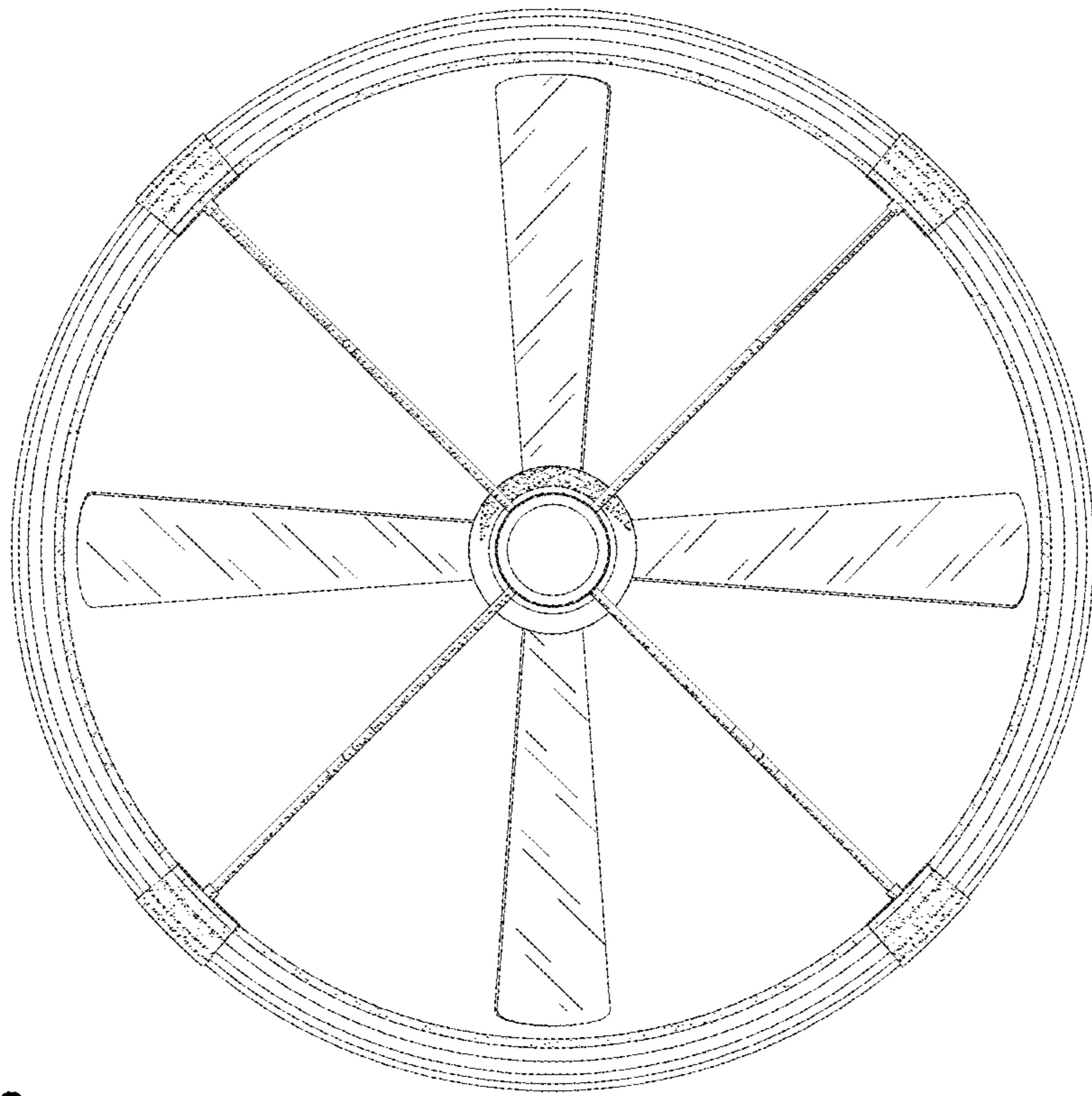


Fig. 3

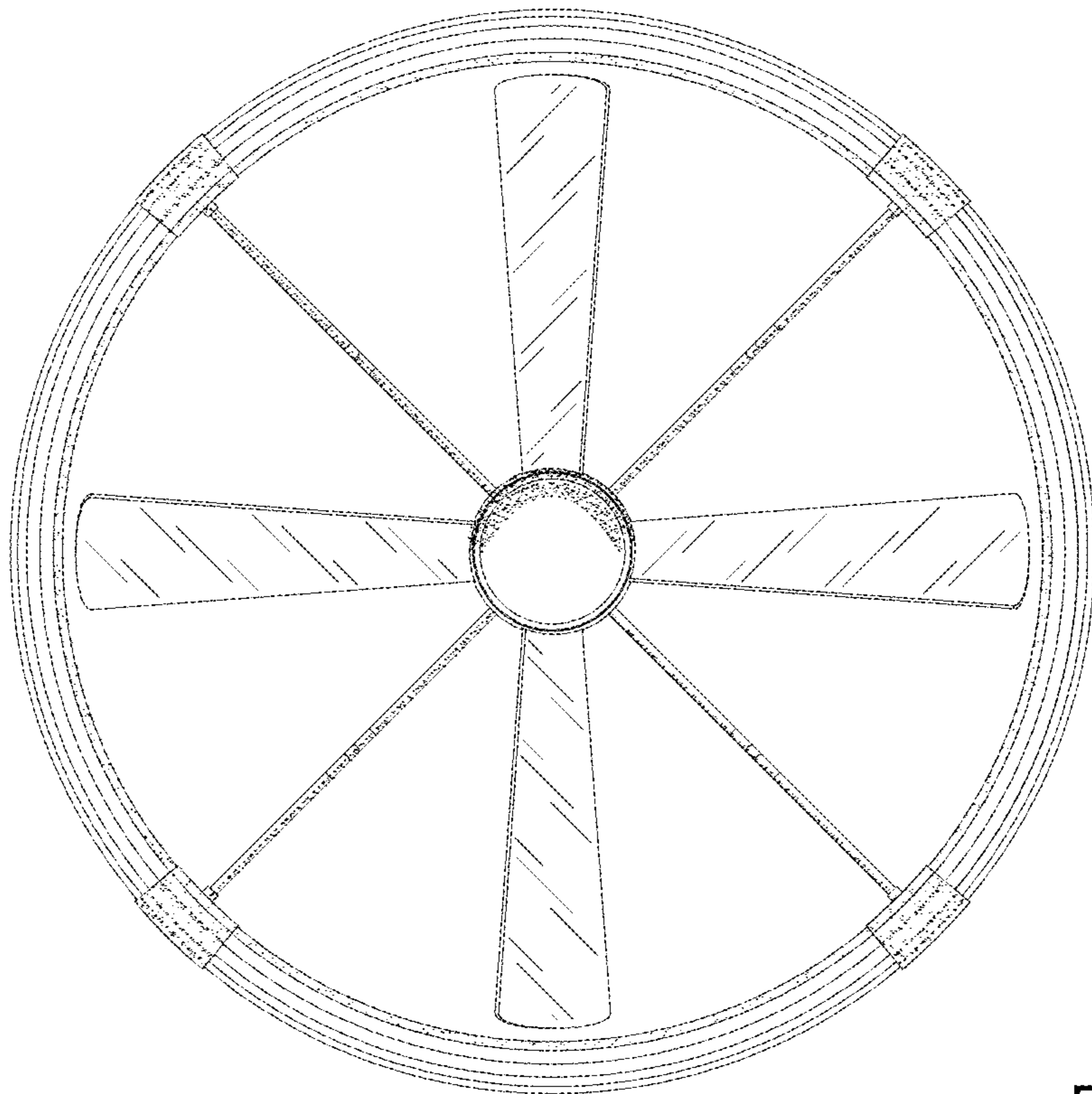


Fig. 4

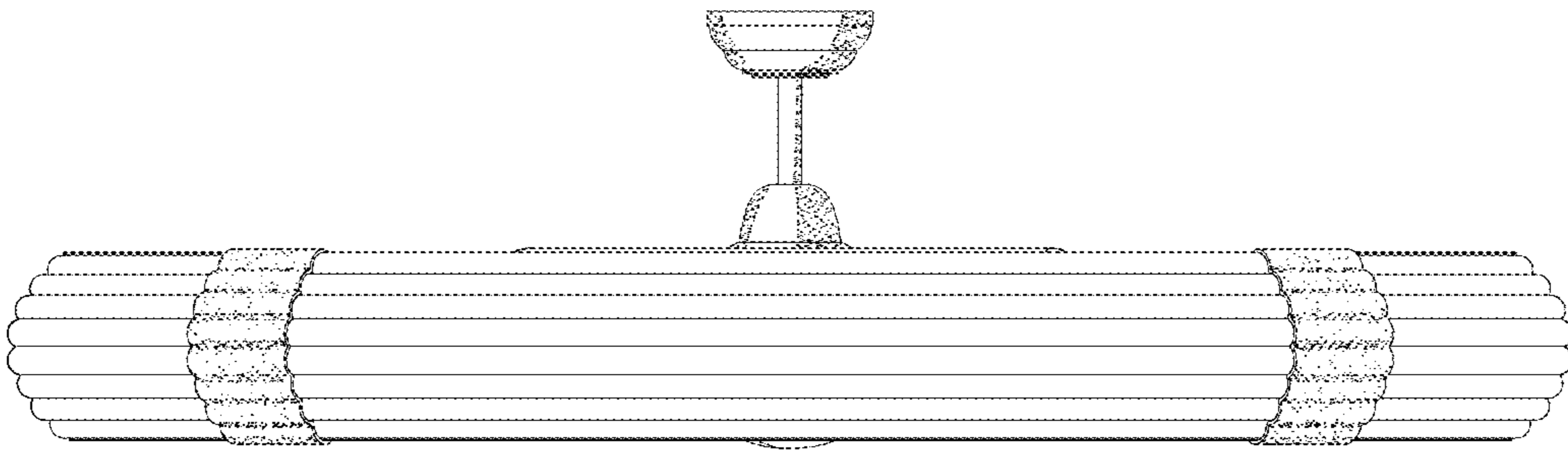


Fig. 5

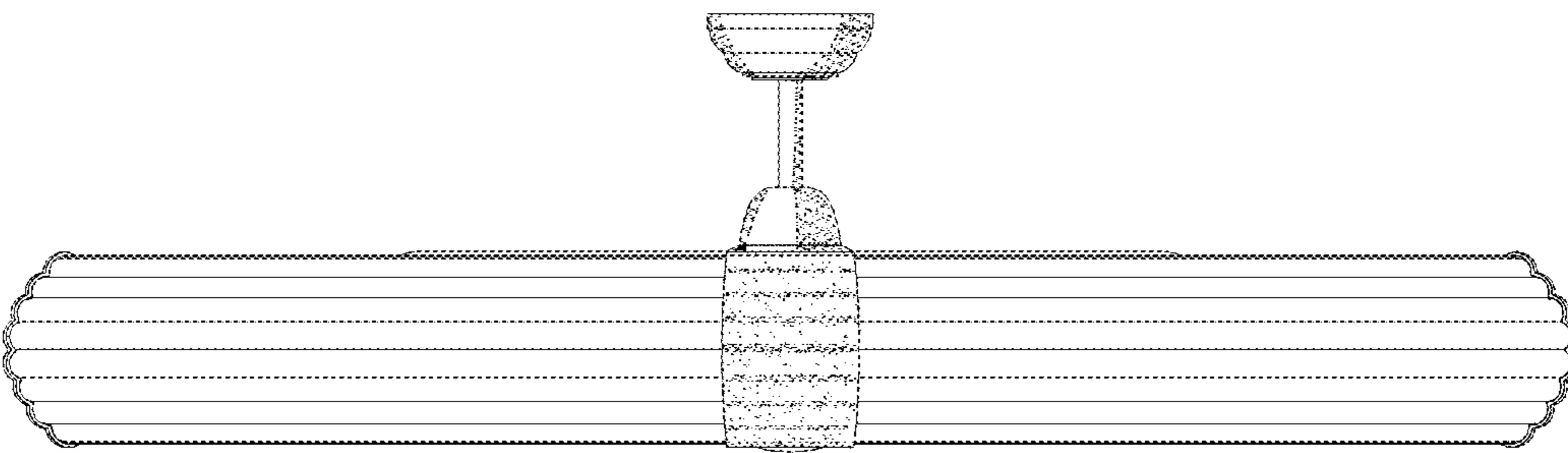


Fig. 6