



US0D1120183S

(12) **United States Design Patent**
Peng

(10) **Patent No.:** **US D1,120,183 S**

(45) **Date of Patent:** **** Mar. 24, 2026**

(54) **MODULAR BULLPUP AUTOMATIC RIFLE**
(71) Applicant: **Daniel Peng**, Dallas, TX (US)
(72) Inventor: **Daniel Peng**, Dallas, TX (US)
(73) Assignee: **Atlas Engineering LLC**, Sheridan, WY (US)
(**) Term: **15 Years**

2014/0075803 A1* 3/2014 Muller F41A 11/02
42/16
2014/0360076 A1* 12/2014 Zamlinsky F41C 23/20
42/75.03
2015/0040451 A1* 2/2015 Young F41A 15/16
42/25
2015/0338181 A1* 11/2015 McAlister F41A 19/09
29/525.08
2017/0131051 A1* 5/2017 Albury F41C 23/20
2018/0195822 A1* 7/2018 Jonsson F41A 3/66
2023/0128014 A1* 4/2023 Makowski F41A 21/48
89/1.4

(21) Appl. No.: **29/958,456**
(22) Filed: **Aug. 20, 2024**
(51) **LOC (15) Cl.** **22-01**
(52) **U.S. Cl.**
USPC **D22/103**
(58) **Field of Classification Search**
USPC D22/103, 108; D21/573
CPC F41C 23/10; F41C 23/18; F41C 23/00;
F41C 23/22; F41C 23/20; F41C 23/06;
F41A 5/18; F41A 5/24; F41A 21/28
See application file for complete search history.

* cited by examiner

Primary Examiner — Michael A. Pratt
(74) *Attorney, Agent, or Firm* — Wood Herron & Evans LLP

(57) **CLAIM**

The ornamental design for a modular bullpup automatic rifle as shown and described.

DESCRIPTION

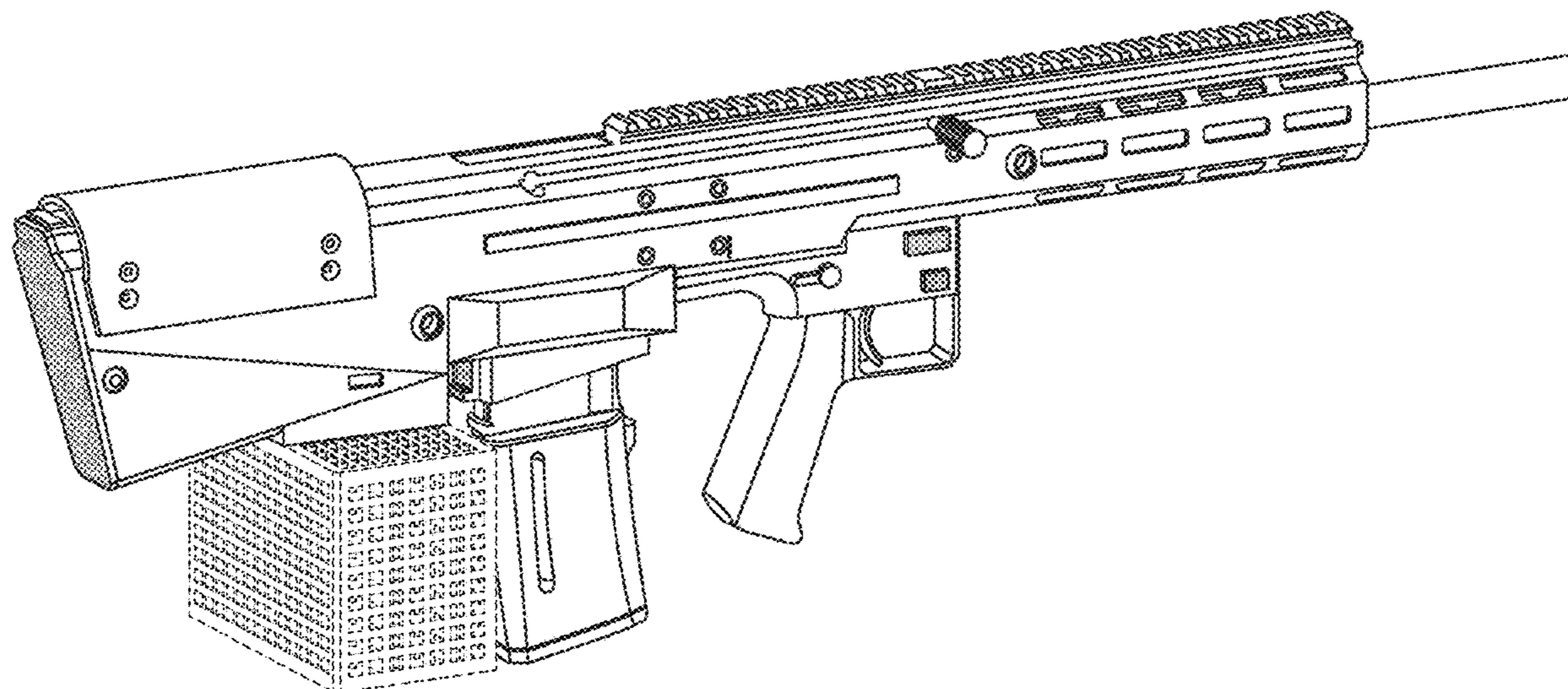
FIG. 1 is a first side view of a gun system device in accordance with the present application.
FIG. 2 is a front view of a modular bullpup automatic rifle device.
FIG. 3 is a back view of a modular bullpup automatic rifle device.
FIG. 4 is a bottom view of a modular bullpup automatic rifle device.
FIG. 5 is a second side view of a modular bullpup automatic rifle device; and,
FIG. 6 is a top view of a modular bullpup automatic rifle device.

(56) **References Cited**

U.S. PATENT DOCUMENTS

D693,420 S * 11/2013 Abbott D22/103
8,931,393 B1* 1/2015 Vincent F41A 17/46
89/27.3
9,115,954 B1* 8/2015 Corsi F41A 19/06
D745,103 S * 12/2015 Corsi D22/103
D1,026,158 S * 5/2024 Young D22/103
12,326,312 B1* 6/2025 Chen F41A 3/66
2006/0101693 A1* 5/2006 Langlotz F41A 19/16
42/69.01

1 Claim, 6 Drawing Sheets



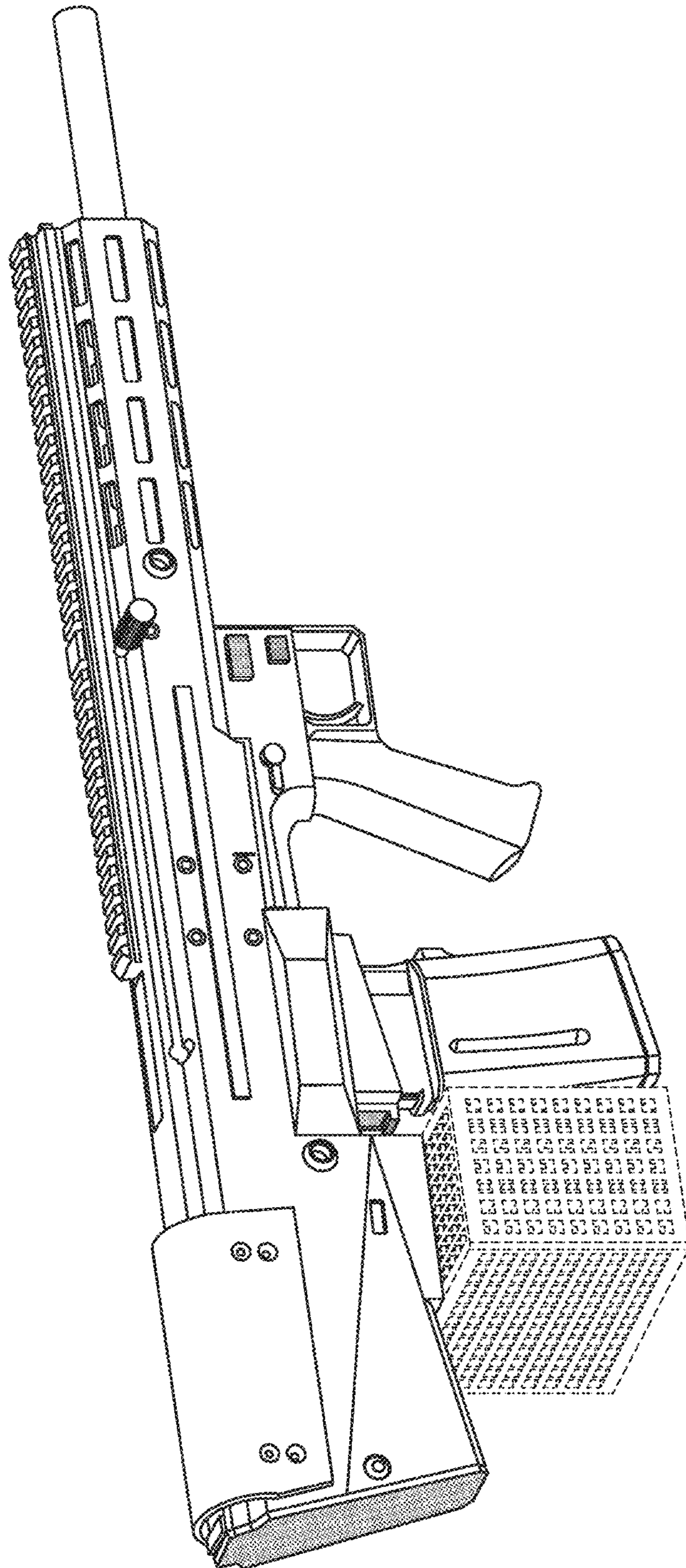


FIG. 1

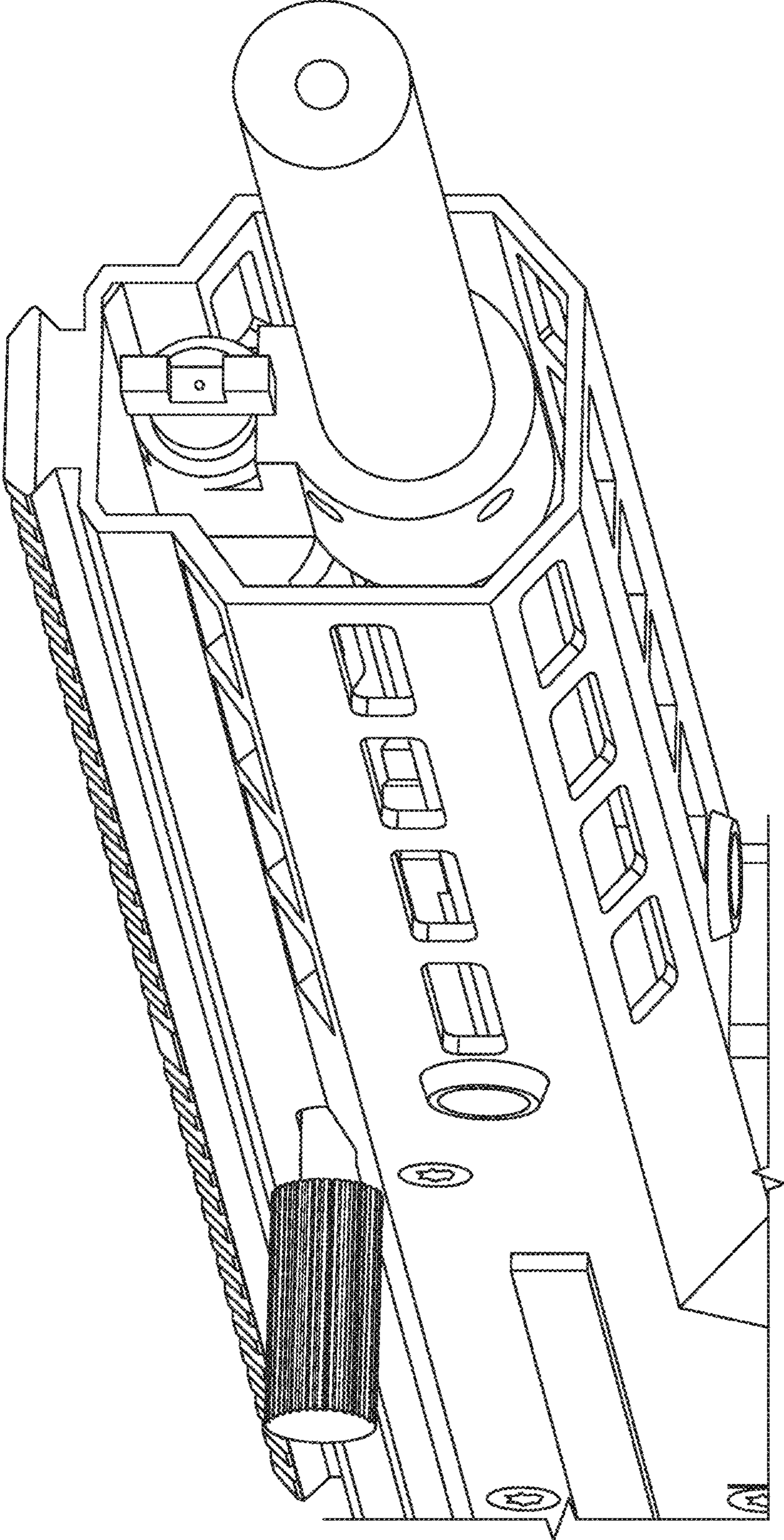


FIG. 2

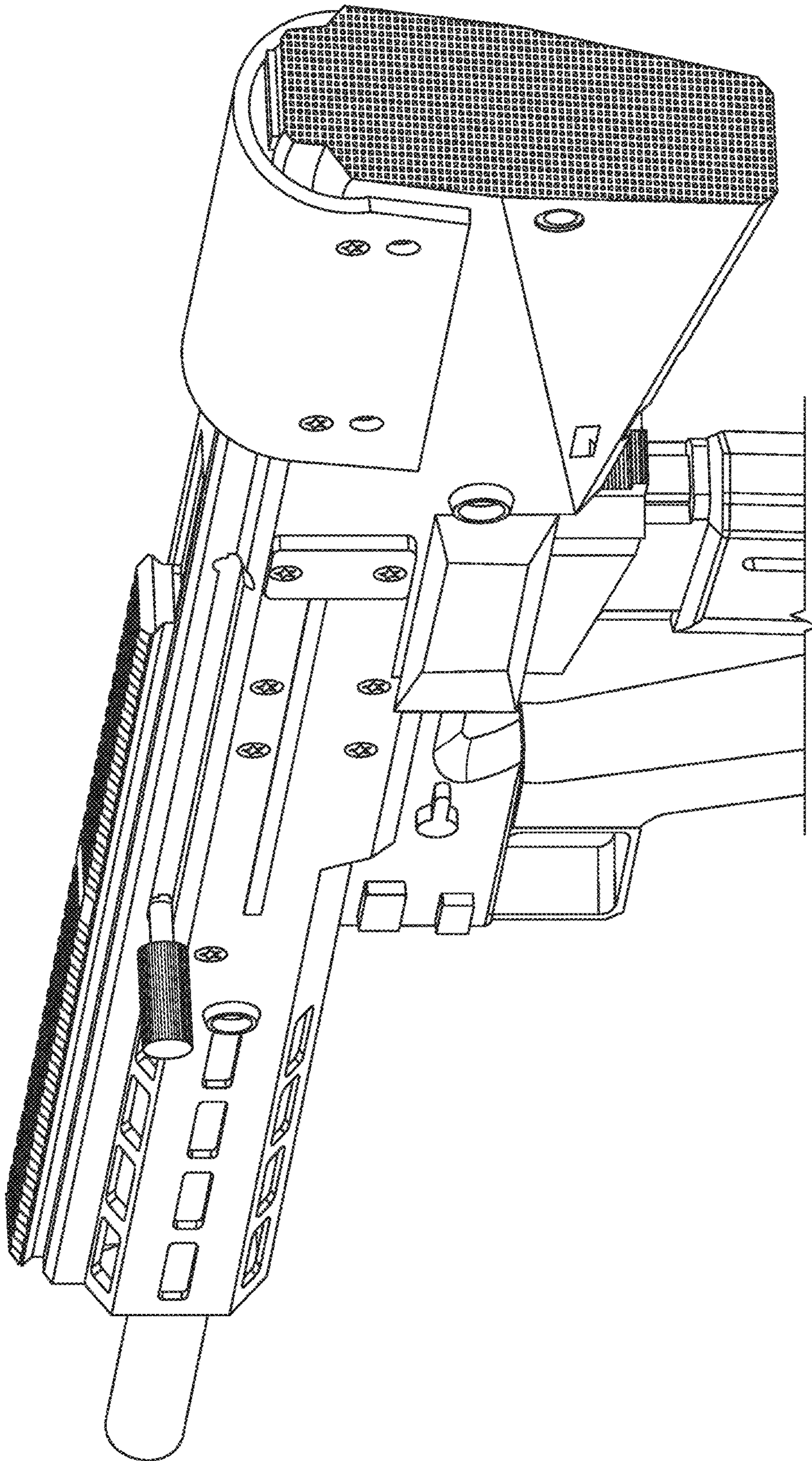


FIG. 3

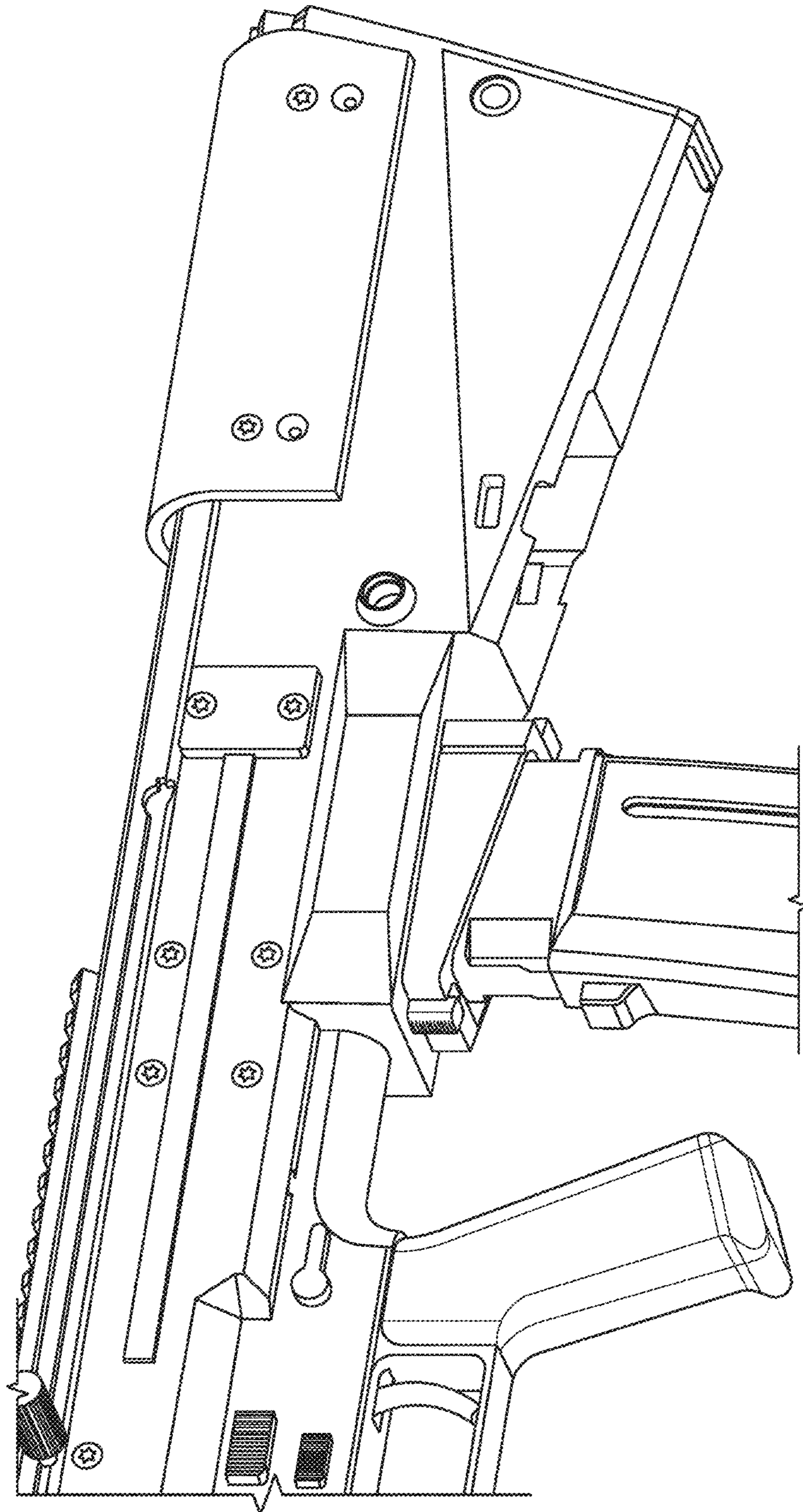


FIG. 4

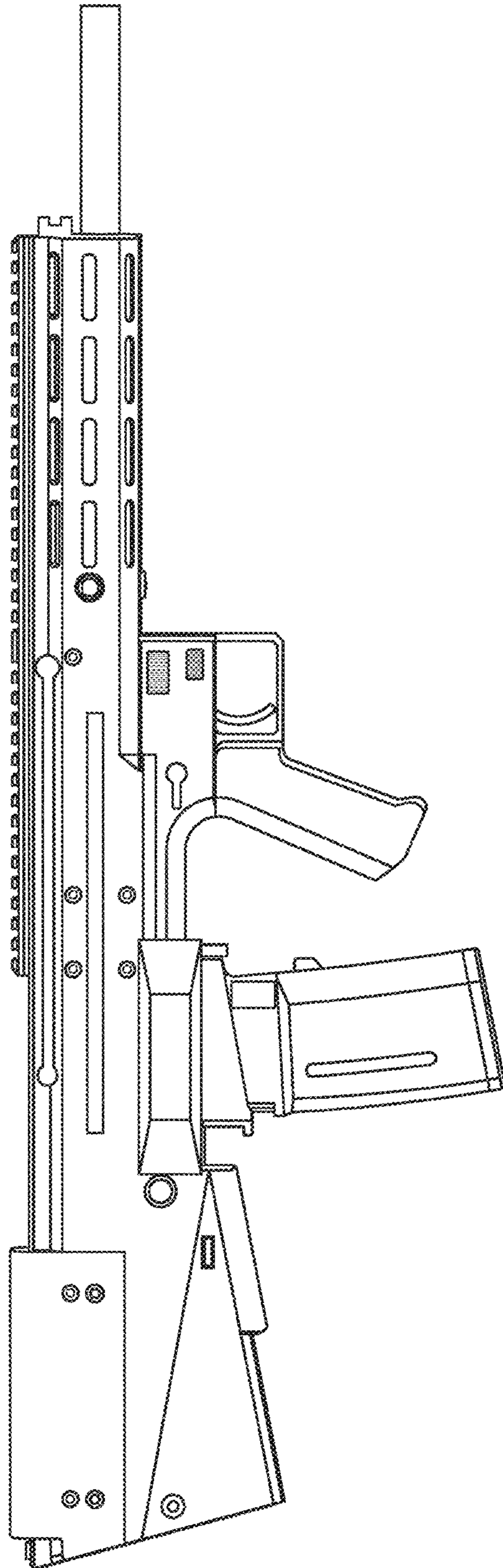


FIG. 5

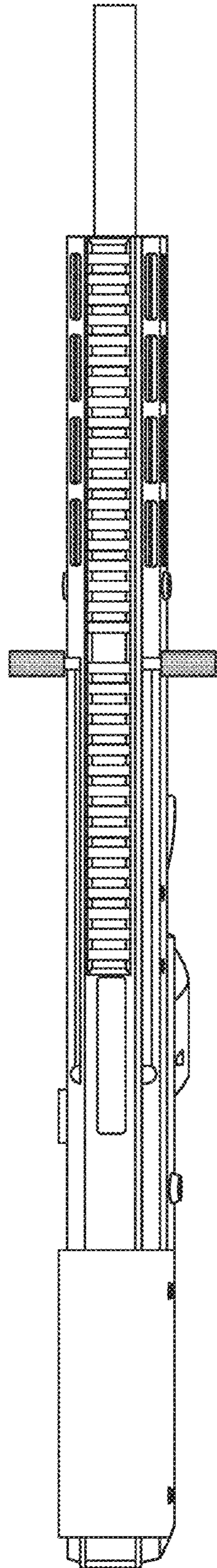


FIG. 6