



US0D1120145S

(12) **United States Design Patent**
Sprowl

(10) **Patent No.:** **US D1,120,145 S**

(45) **Date of Patent:** **** Mar. 24, 2026**

- (54) **MODEL VEHICLE WHEEL**
- (71) Applicant: **TRAXXAS, L.P.**, McKinney, TX (US)
- (72) Inventor: **Jory Sprowl**, Howe, TX (US)
- (73) Assignee: **TRAXXAS, L.P.**, McKinney, TX (US)
- (**) Term: **15 Years**

D361,546 S 8/1995 Weld
 D373,562 S 9/1996 Cole
 D384,718 S * 10/1997 Lee D21/779
 (Continued)

FOREIGN PATENT DOCUMENTS

CN 304967598 12/2018
 DE 402017100863-0001 7/2018
 EM 005817137-0004 11/2018

OTHER PUBLICATIONS

OMF Performance Products; Beadlocked Wheels; https://www.omfperformance.com/beadlocked_wheels_uq.php; Aug. 2016.

(Continued)

Primary Examiner — Adam C Mager

(74) *Attorney, Agent, or Firm* — Daryl R. Wright; Greg Carr

(57) **CLAIM**

The ornamental design for a model vehicle wheel as shown and described.

DESCRIPTION

FIG. 1 is an upper, left, front perspective view of a model vehicle wheel showing our new design;
 FIG. 2 is an upper, right, rear perspective view thereof;
 FIG. 3 is a lower, right, front perspective view thereof;
 FIG. 4 is a lower, left, rear perspective view thereof;
 FIG. 5 is a front elevation view thereof;
 FIG. 6 is a rear elevation view thereof;
 FIG. 7 is an upper plan view thereof;
 FIG. 8 is a lower plan view thereof;
 FIG. 9 is a right-side elevation view thereof; and,
 FIG. 10 is a left-side elevation view of a model vehicle wheel.

In the drawings, the broken lines illustrate portions of the model vehicle wheel that form no part of the claimed design.

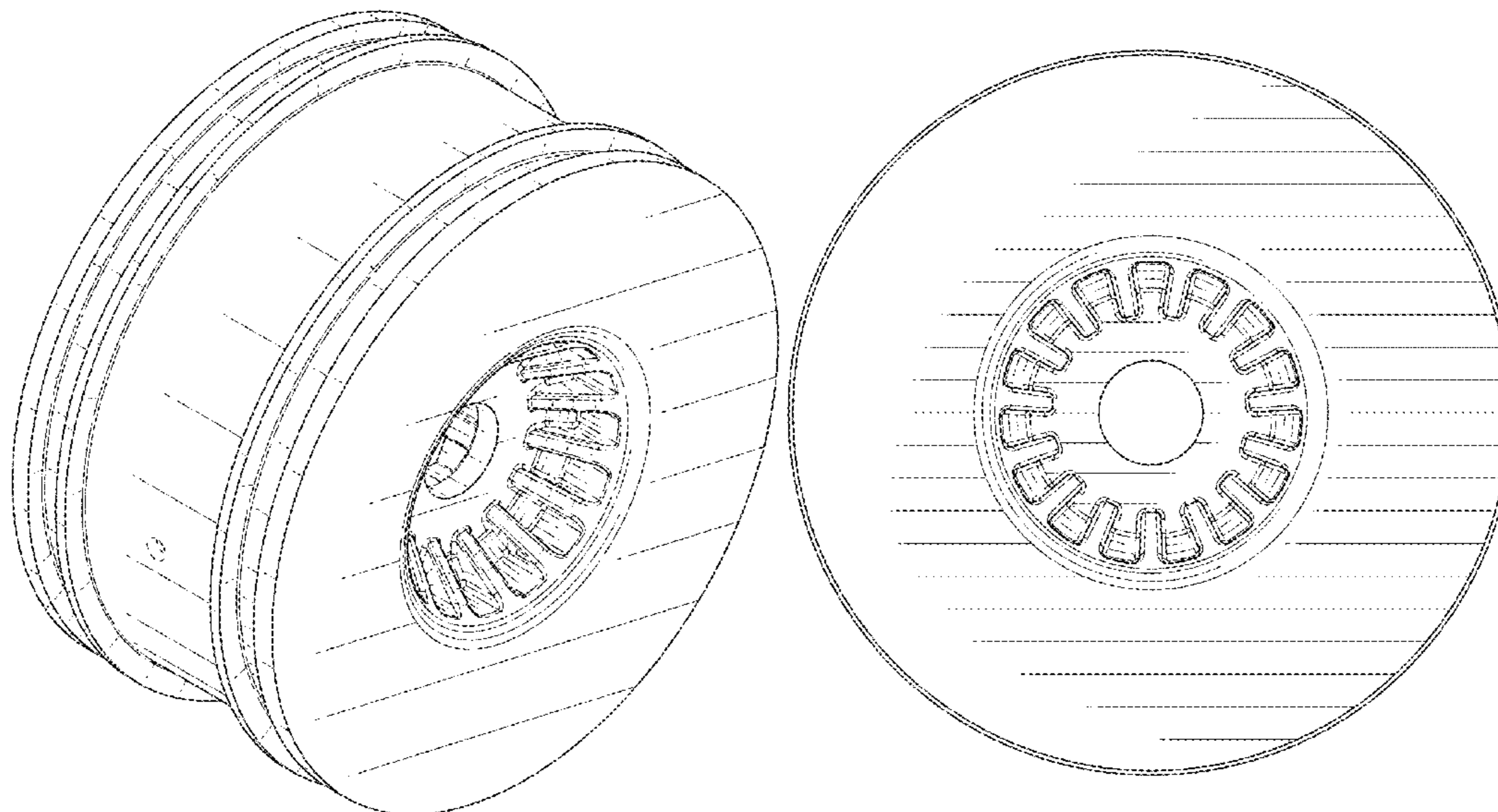
1 Claim, 7 Drawing Sheets

- (21) Appl. No.: **29/961,206**
- (22) Filed: **Sep. 4, 2024**
- (51) **LOC (15) Cl.** **21-01**
- (52) **U.S. Cl.**
USPC **D21/563**
- (58) **Field of Classification Search**
USPC D12/204–213, 501; D21/563, 779;
D8/375
CPC B60B 7/00; B60B 7/01; B60B 7/02; B60B 7/04;
B60B 7/06; B60B 3/02; B60B 3/04;
B60B 3/06; B60B 3/10; B60B 1/00;
B60B 1/08; B60B 1/10; B60B 1/12;
B60B 21/00
See application file for complete search history.

(56) **References Cited**

U.S. PATENT DOCUMENTS

1,978,026 A	10/1934	Miller
D206,873 S	2/1967	Reid
D207,951 S	6/1967	Hibbard
D213,314 S	2/1969	Reid
D213,315 S	2/1969	Reid
D221,934 S	9/1971	Main et al.
D223,534 S	5/1972	Reid
D224,101 S	7/1972	Richter
D226,376 S	2/1973	Main et al.
3,767,267 A	10/1973	Clement
D231,656 S	5/1974	Ishibashi
D237,067 S	10/1975	Sandberg
D252,564 S	8/1979	Harty, Jr.
D333,648 S	3/1993	Schwenk



(56)

References Cited

U.S. PATENT DOCUMENTS

D412,020 S 7/1999 McCormick
 D420,637 S 2/2000 Glade
 6,089,671 A 7/2000 Lacovelli et al.
 D436,910 S 1/2001 Hale, Jr.
 D444,118 S 6/2001 Chung
 D469,728 S 2/2003 Kataoka
 D470,449 S 2/2003 Bernoni
 D481,982 S 11/2003 Takechi
 D488,760 S 4/2004 Kato
 D492,234 S 6/2004 Kataoka
 D499,683 S 12/2004 Kushartanto
 D500,006 S 12/2004 Cahyono
 D504,650 S 5/2005 Ishiwata
 D530,757 S 10/2006 Jones
 D534,968 S 1/2007 Proch
 D536,293 S 2/2007 Brouillette et al.
 D543,493 S 5/2007 Kim
 D546,264 S 7/2007 Young
 D569,778 S 5/2008 Kim
 D579,398 S 10/2008 Kim
 D582,827 S 12/2008 Musser
 D583,292 S 12/2008 Chung
 D587,181 S 2/2009 Musser
 D590,315 S 4/2009 Chung
 D721,999 S * 2/2015 Alemany D12/207
 D733,631 S * 7/2015 Dionisopoulos D12/209
 D864,075 S * 10/2019 Han D12/209
 D906,919 S * 1/2021 Rosenthal D21/563

D919,011 S * 5/2021 Fan D21/423
 D996,549 S * 8/2023 Li D21/760
 D1,015,996 S * 2/2024 Herbst D12/501
 D1,047,855 S * 10/2024 Trpinac D12/209
 D1,062,573 S * 2/2025 Hix D12/209

OTHER PUBLICATIONS

Rick, "Great wheels!" Jan. 24, 2019 (review with photo), amazon.com, site visited Dec. 14, 2021, URL: <https://www.amazon.com/dp/B07MH4GW4G/?th=1> (Year: 2019).
 "Traxxas 8472 Desert Racer Wheels," May 16, 2018, amazon.ca, site visited 14 Dec. 2021, URL: https://www.amazon.ca/Traxxas-8472-Desert-Wheels-Bfgoodrich/dp/B07B6TS9B2/ref=sr_1_75?keywords=traxxas+wheels&qid=1639489322&sr=8-75 (Year: 2018).
 Slot Car Racing Wheel Store, posted xx/xx/xx [online], [retrieved Nov. 14, 2023]. Retrieved from internet, <https://www.dancingbearscaledcomponents.com/125-slot-car-racing-wheels> (Year: 2023).
 Traxxas XRT Wheels (Race Black) (2), as shown in www.hobbytown.com, May 22, 2023, Part # TRA7874. (Year: 2023).
 Traxxas Method 105 1.9" Beadlock Wheels (Black Chrome) (2), as shown in www.hobbytown.com, Jun. 15, 2018, Part # TRA8173. (Year: 2018).
 Vanquish Products Method 105 1.9" Beadlock Crawler Wheels (Black/Silver) (2), as shown in www.hobbytown.com, Mar. 28, 2016, Part # VPS07911. (Year: 2016).

* cited by examiner

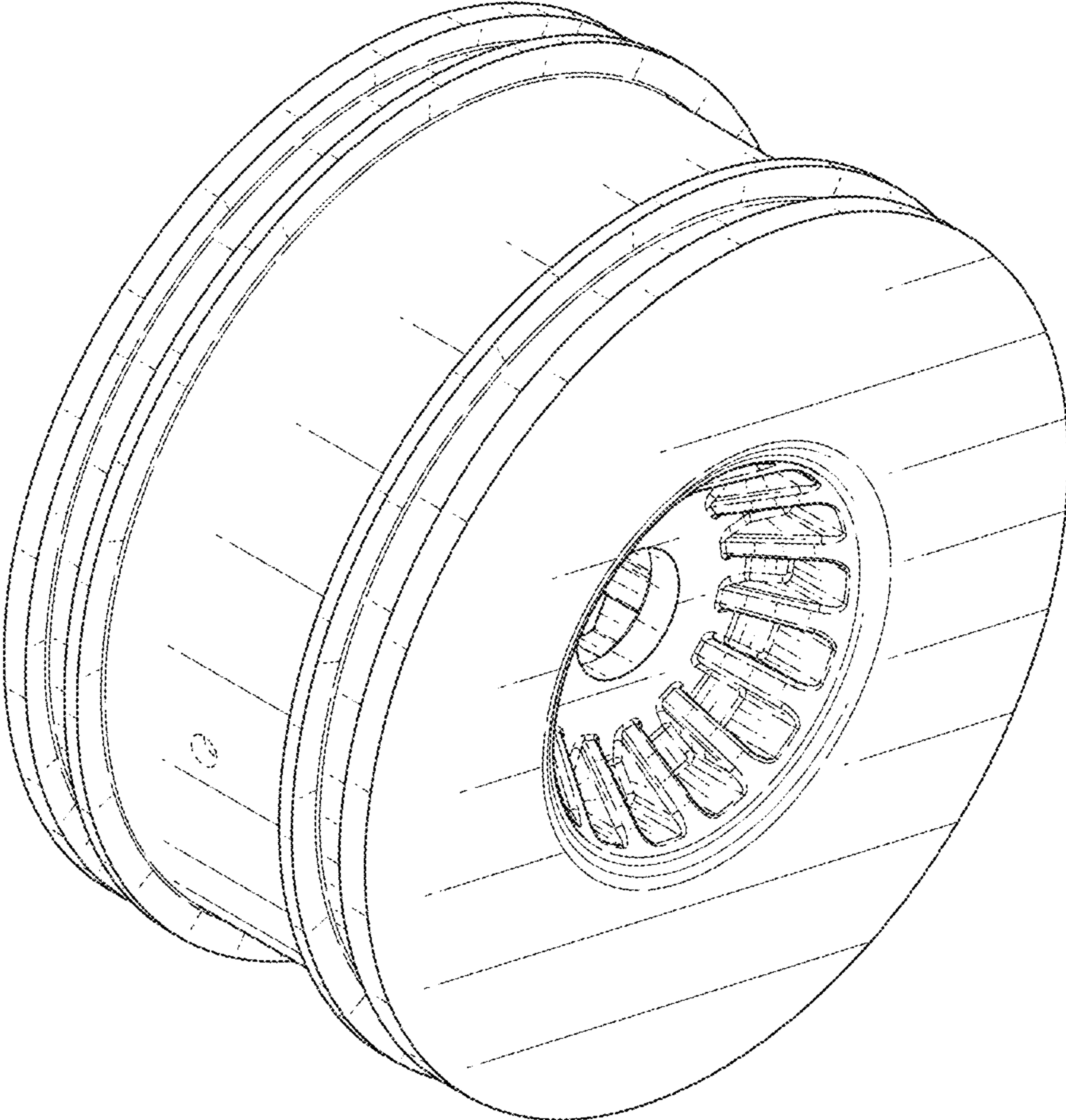


FIG. 1

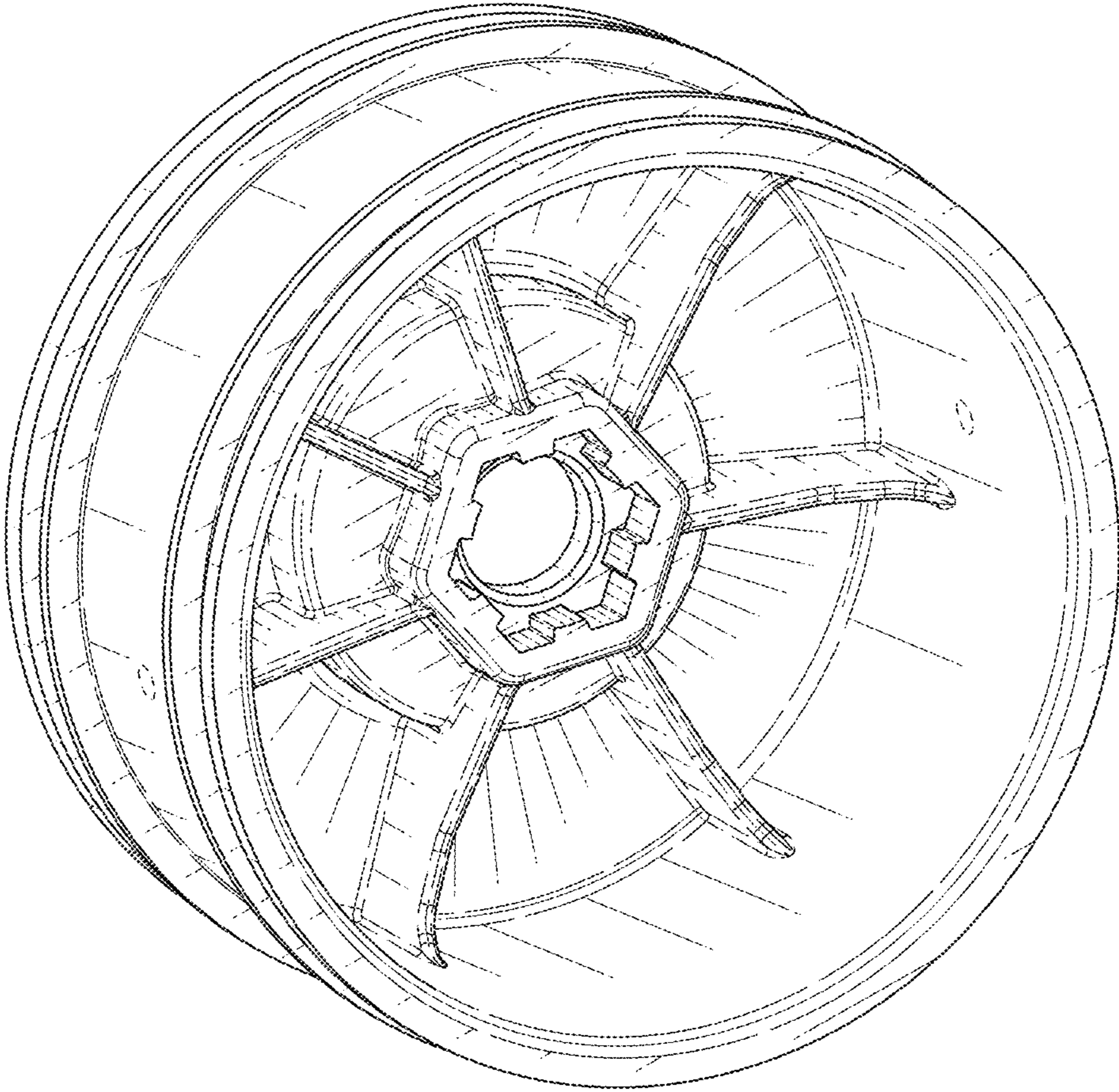


FIG. 2

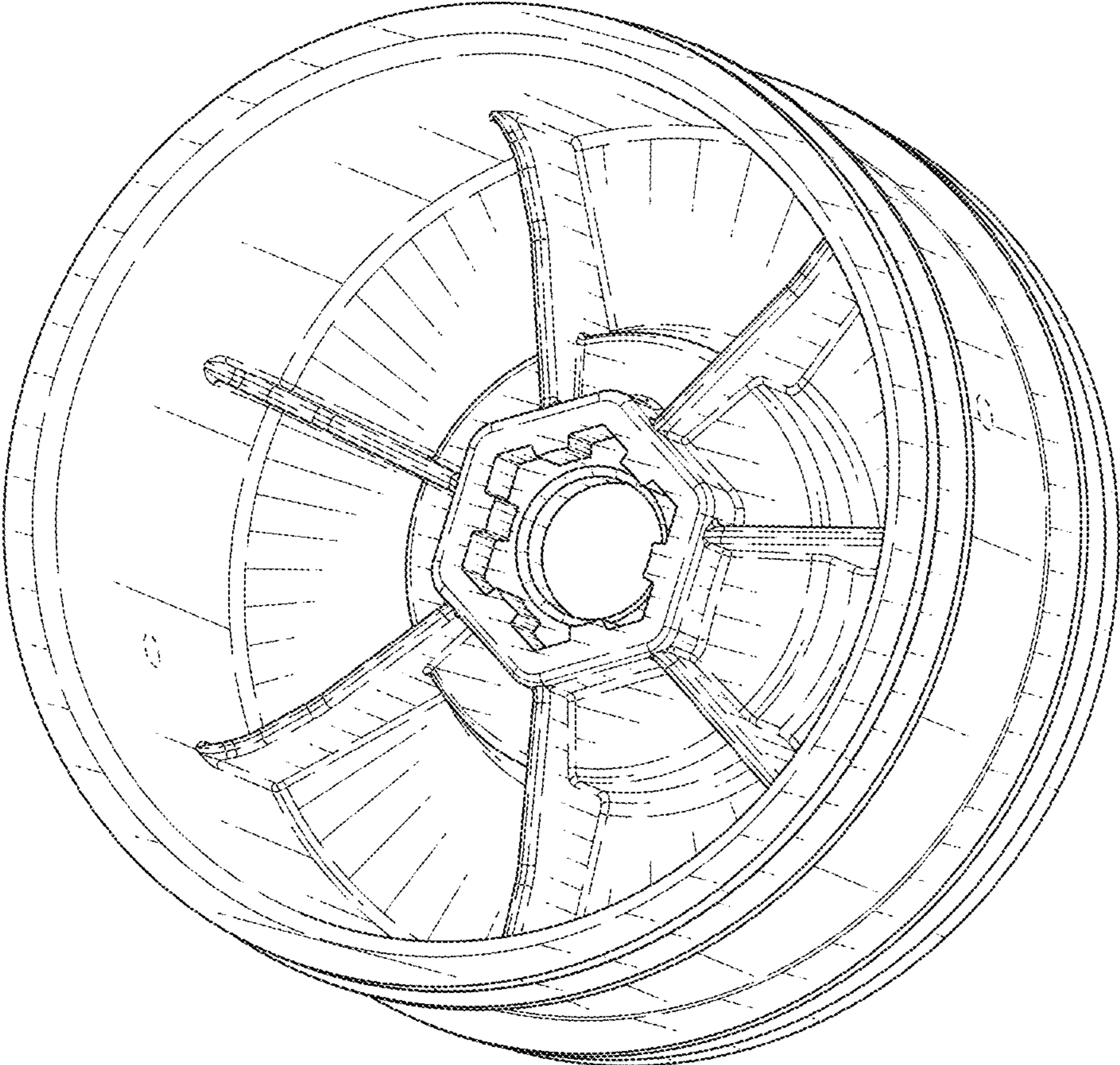


FIG. 3

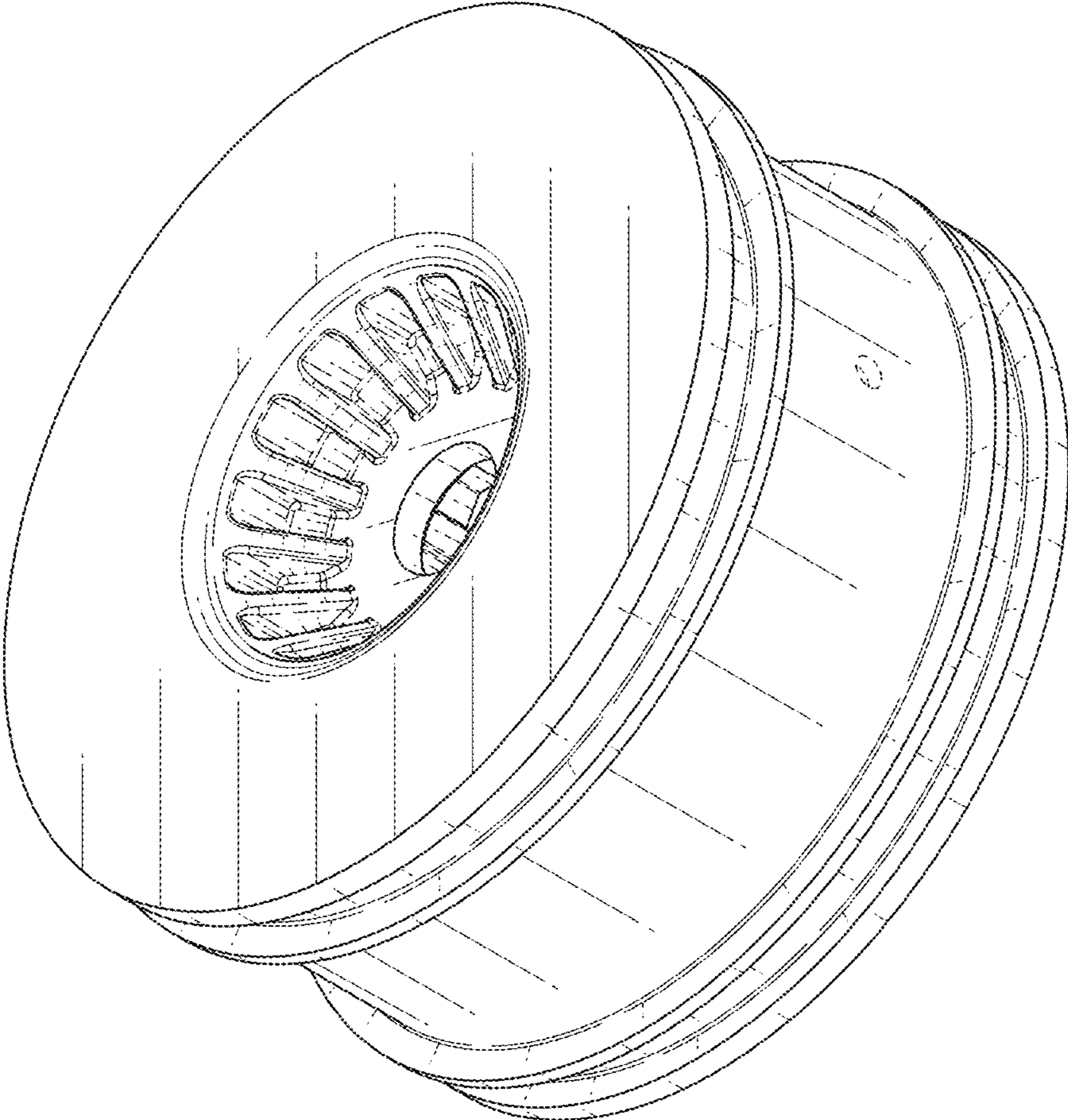


FIG. 4

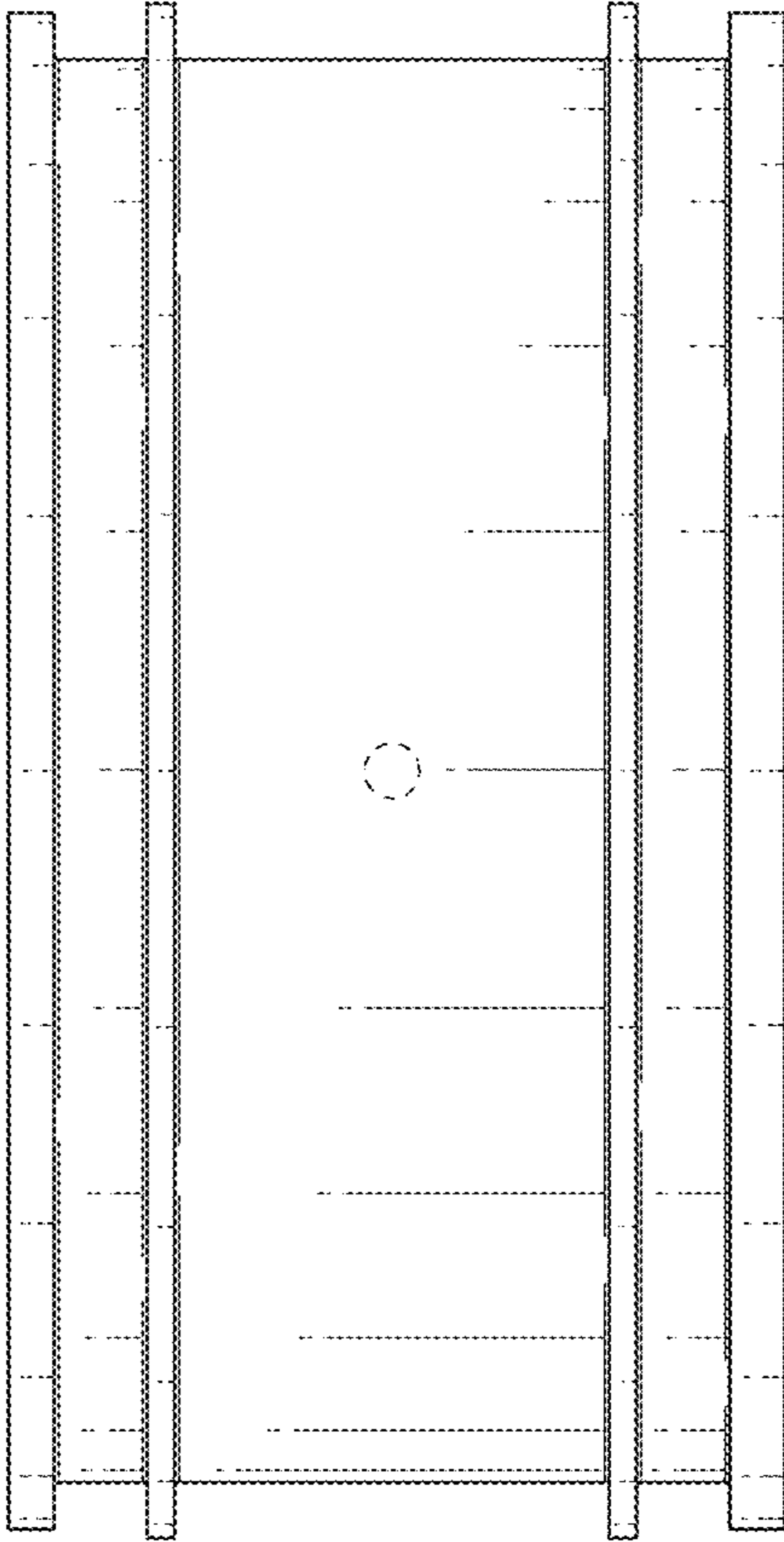


FIG. 5

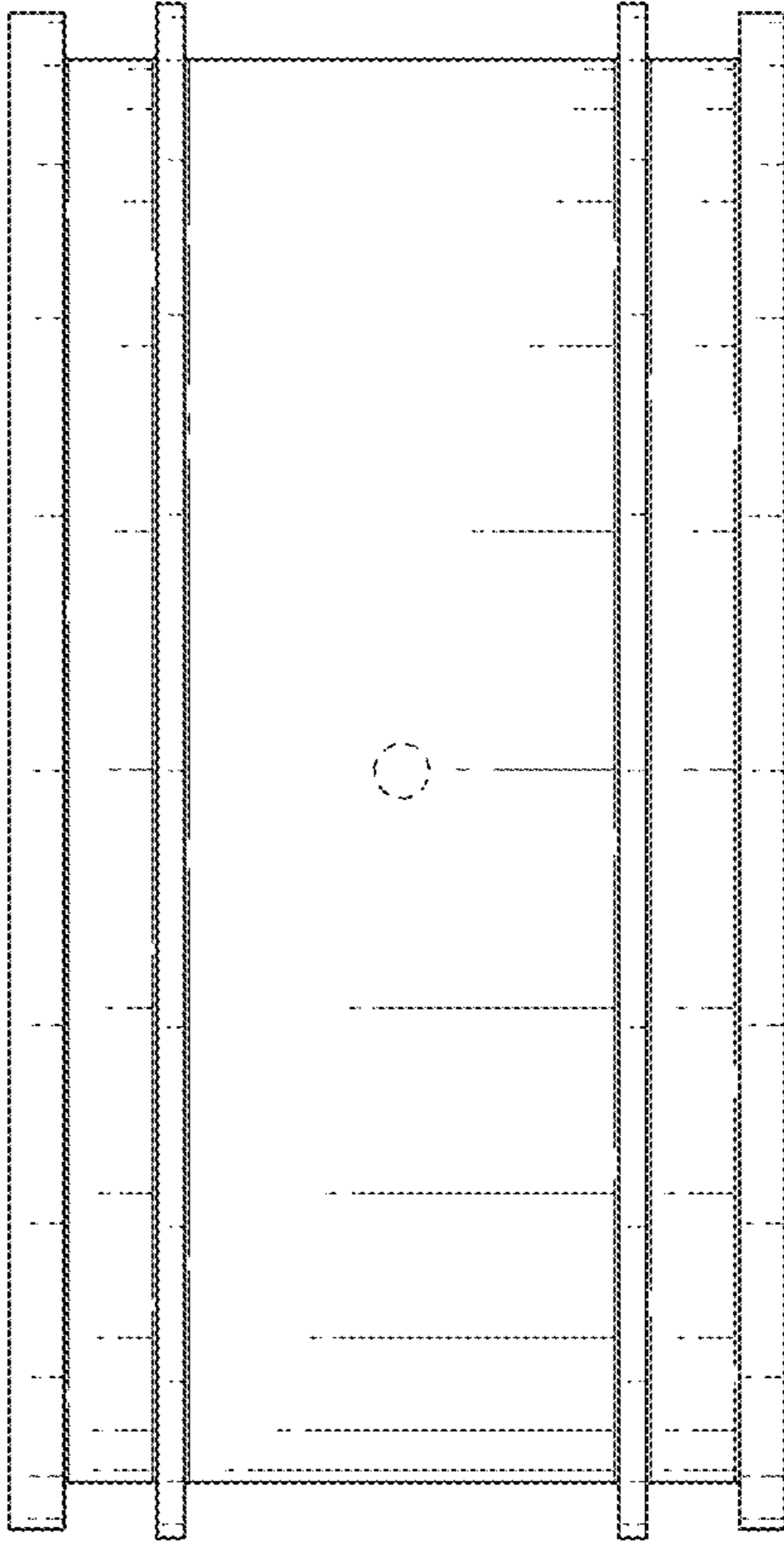


FIG. 6

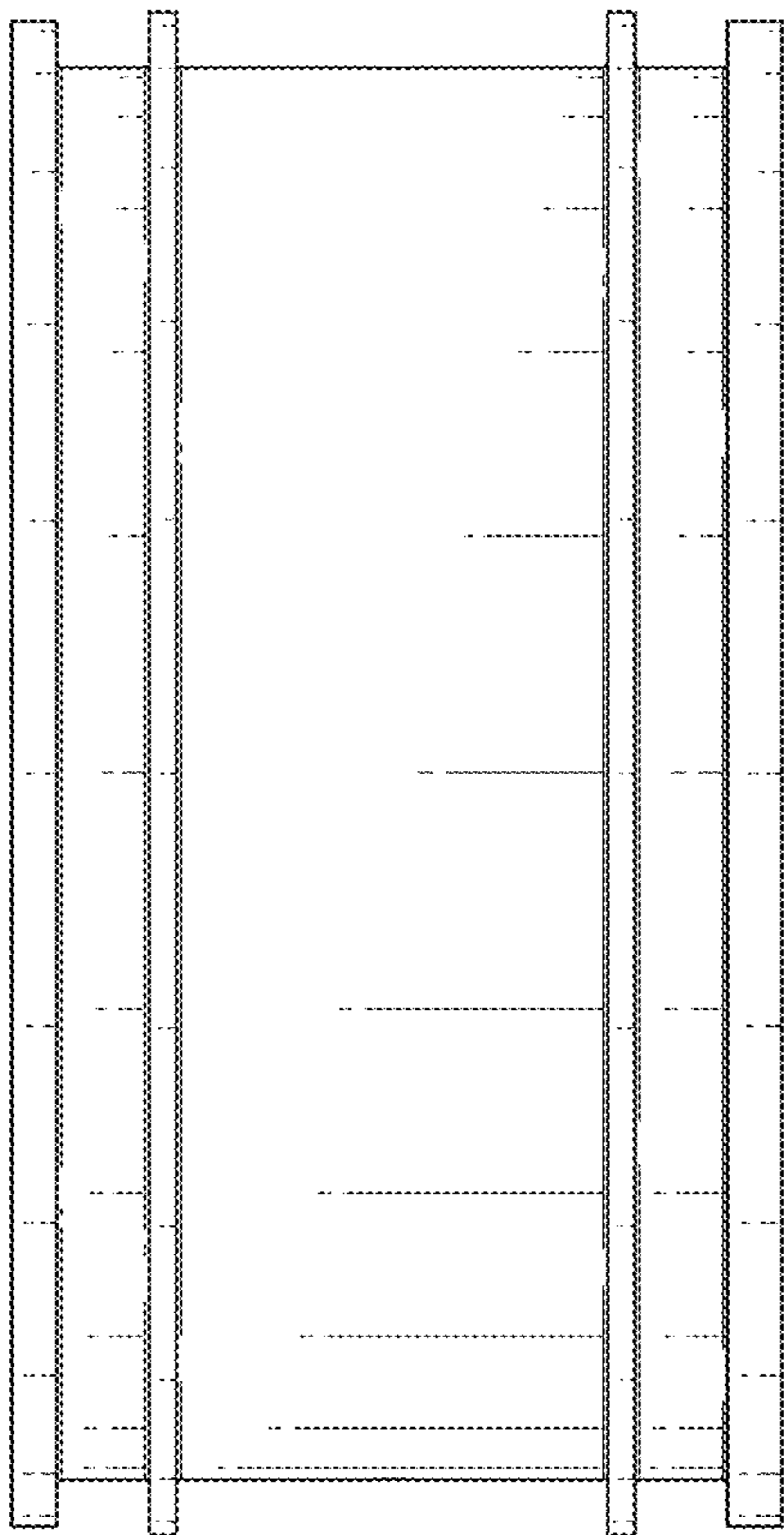


FIG. 7

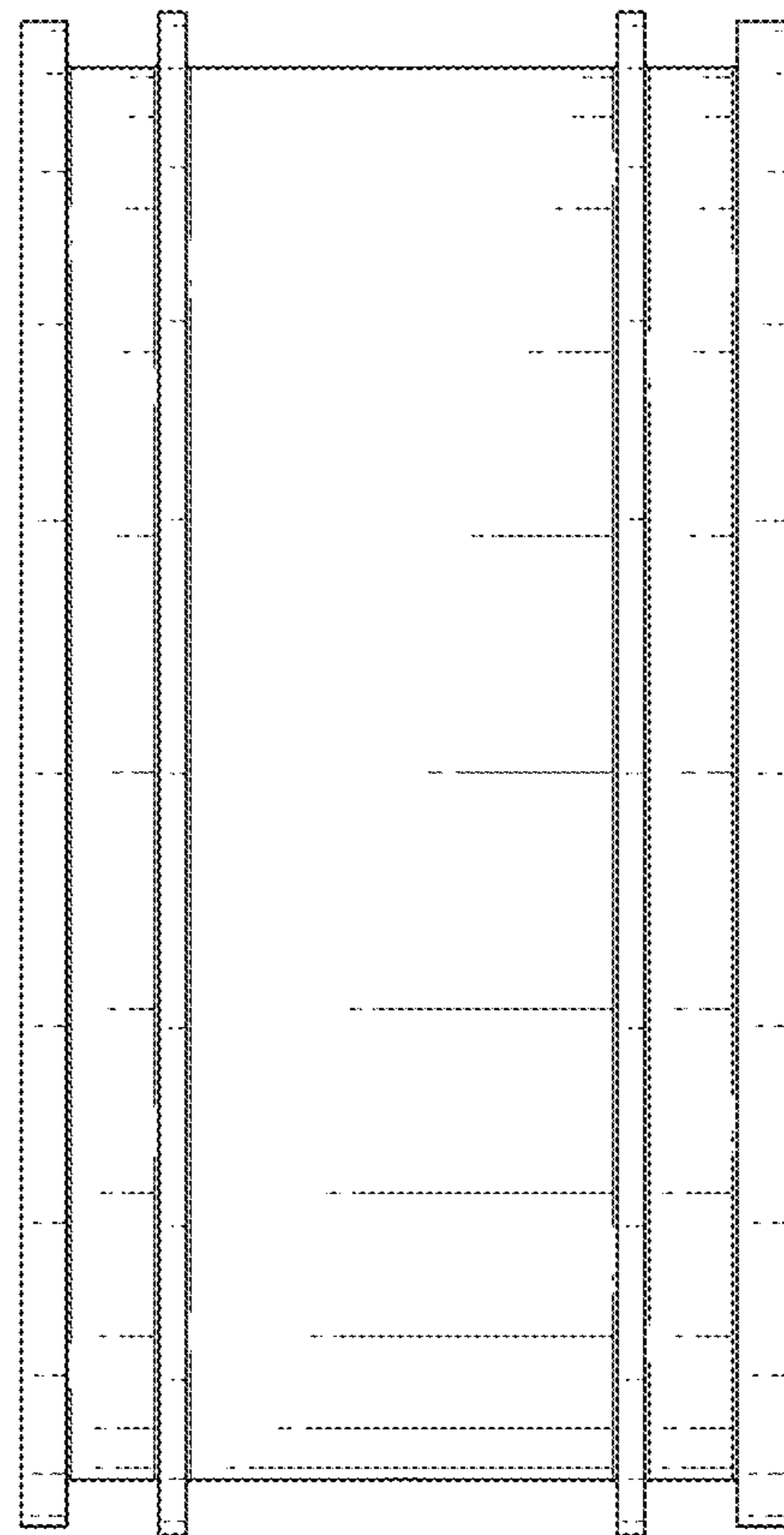


FIG. 8

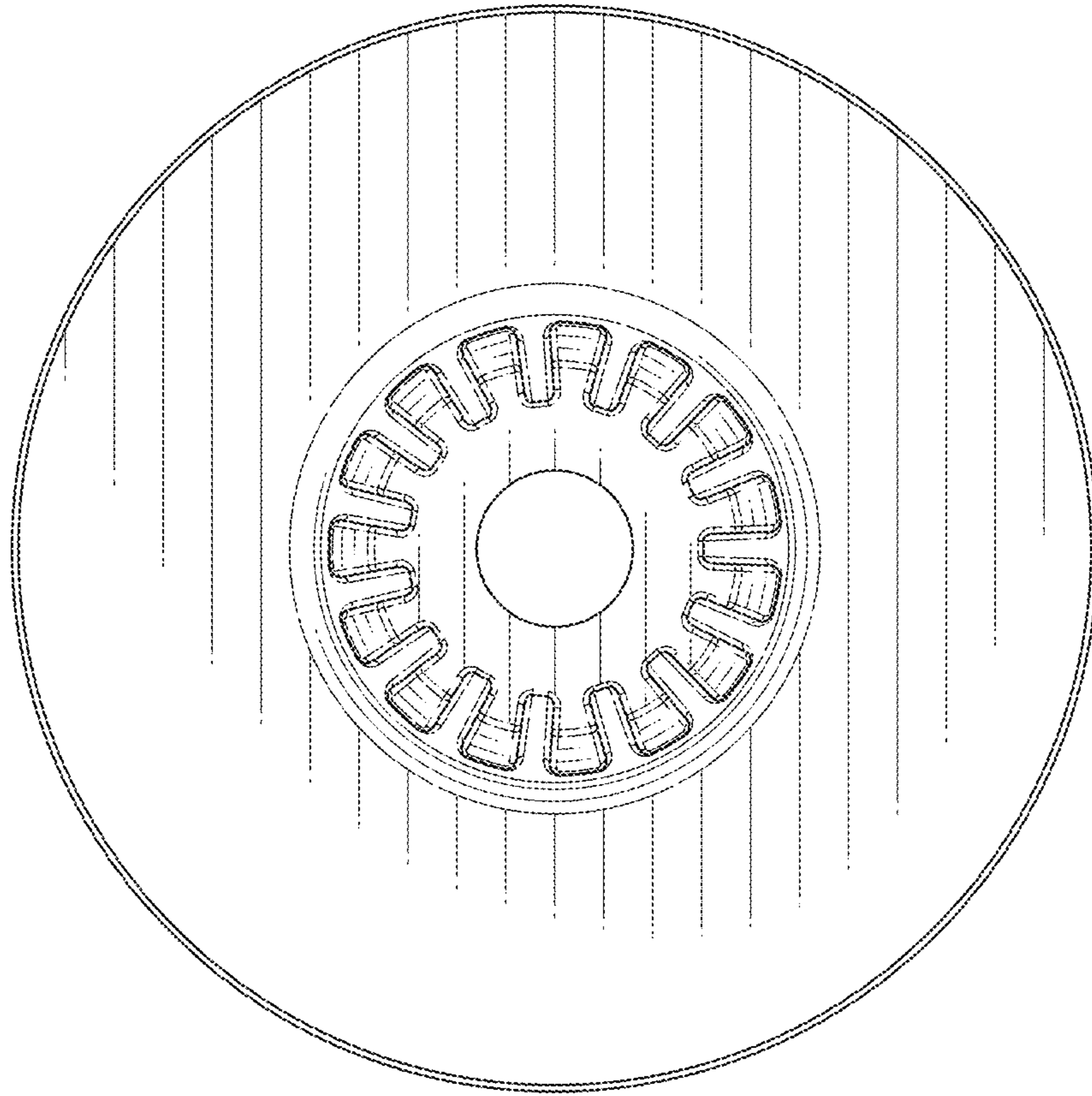


FIG. 10

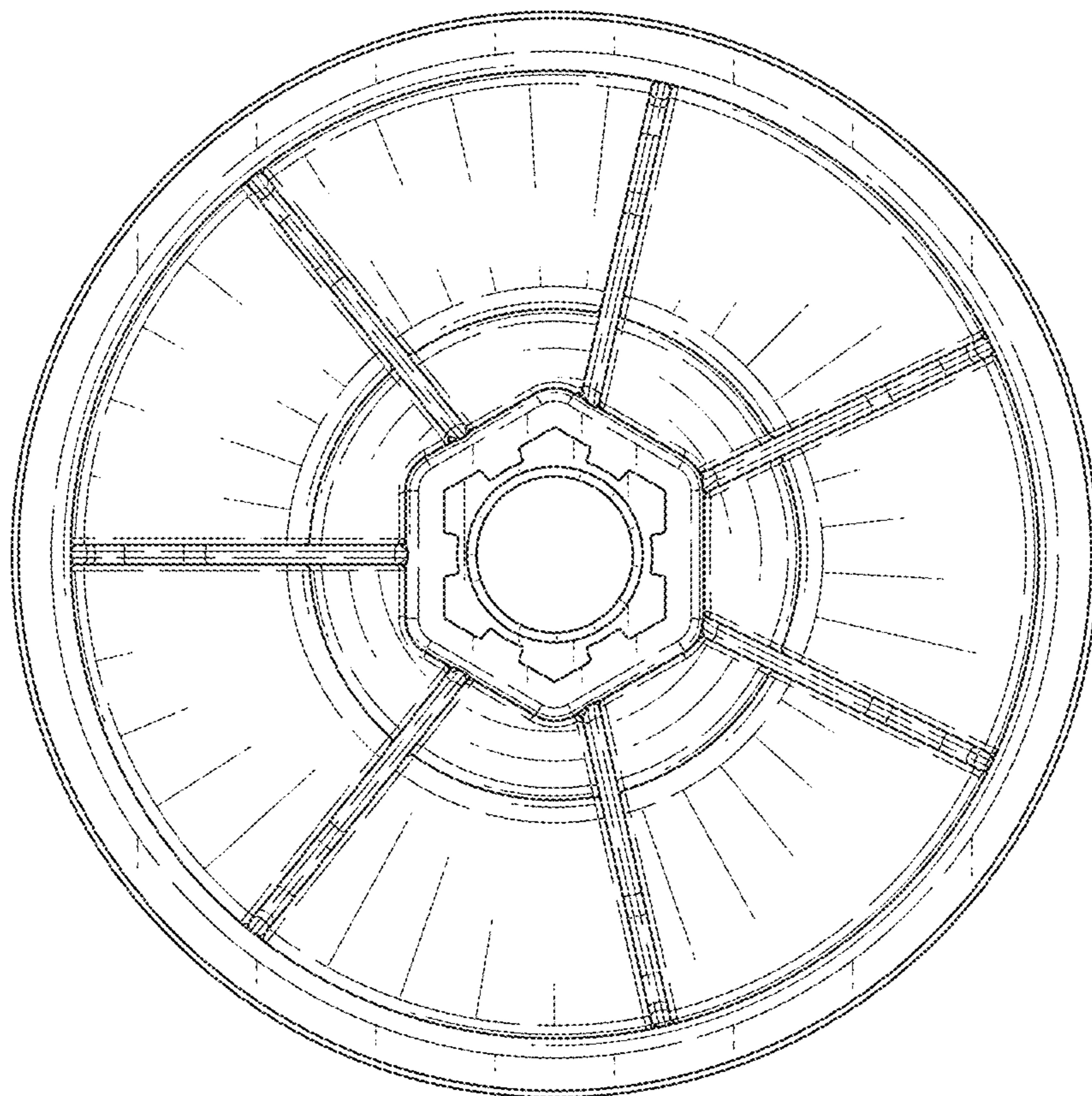


FIG. 9