



US0D1120144S

(12) **United States Design Patent** (10) **Patent No.:** **US D1,120,144 S**  
**Hix et al.** (45) **Date of Patent:** **\*\* Mar. 24, 2026**

(54) **MODEL VEHICLE UNDERBODY LIGHT ASSEMBLY**

D953,958 S 6/2022 Sprowl et al.  
D1,050,508 S \* 11/2024 Tomasson ..... D26/28  
D1,056,073 S \* 12/2024 Ewing ..... D12/171

(Continued)

(71) Applicant: **TRAXXAS, L.P.**, McKinney, TX (US)

(72) Inventors: **Caleb Hix**, McKinney, TX (US); **Ross Martin**, North Richland Hills, TX (US); **Otto Karl Allmendinger**, Rowlett, TX (US); **Adam Cole Ewing**, McKinney, TX (US)

FOREIGN PATENT DOCUMENTS

EM 015097201-0009 4/2025  
GB 6426397 3/2025

(73) Assignee: **TRAXXAS, L.P.**, McKinney, TX (US)

(\*\*) Term: **15 Years**

OTHER PUBLICATIONS

Benedict Harry, Front Rear LED Lights Kit for RC, published on Jun. 30, 2025 [online]. Retrieved from internet (Date: Dec. 29, 2025), <https://www.amazon.com/dp/B0F4WFTCCG/> (Year: 2025).\*

(Continued)

(21) Appl. No.: **29/959,913**

*Primary Examiner* — Jae Liang  
*Assistant Examiner* — Riya Salil Kamat  
(74) *Attorney, Agent, or Firm* — Daryl R. Wright; Greg Carr

(22) Filed: **Aug. 28, 2024**

(51) **LOC (15) Cl.** ..... **21-01**

(52) **U.S. Cl.**  
USPC ..... **D21/562**

(58) **Field of Classification Search**  
USPC ..... D12/82, 159, 160; D21/398, 495, 533, D21/548, 561, 562  
CPC ..... A63H 33/04; A63H 17/262; A63H 33/08; A63H 33/062; A63H 17/36; A63H 17/002; A63H 33/005; A63H 17/25; A63H 17/05

(57) **CLAIM**

The ornamental design for a model vehicle underbody light assembly as shown and described.

See application file for complete search history.

**DESCRIPTION**

FIG. 1 is an upper, left, front perspective view of a model vehicle underbody light assembly showing our new design; FIG. 2 is an upper, right, rear perspective view thereof; FIG. 3 is a lower, right, front perspective view thereof; FIG. 4 is a lower, left, rear perspective view thereof; FIG. 5 is a front elevation view thereof; FIG. 6 is a rear elevation view thereof; FIG. 7 is an upper plan view thereof; FIG. 8 is a lower plan view thereof; FIG. 9 is a right-side elevation view thereof; and, FIG. 10 is a left-side elevation view of a model vehicle underbody light assembly.

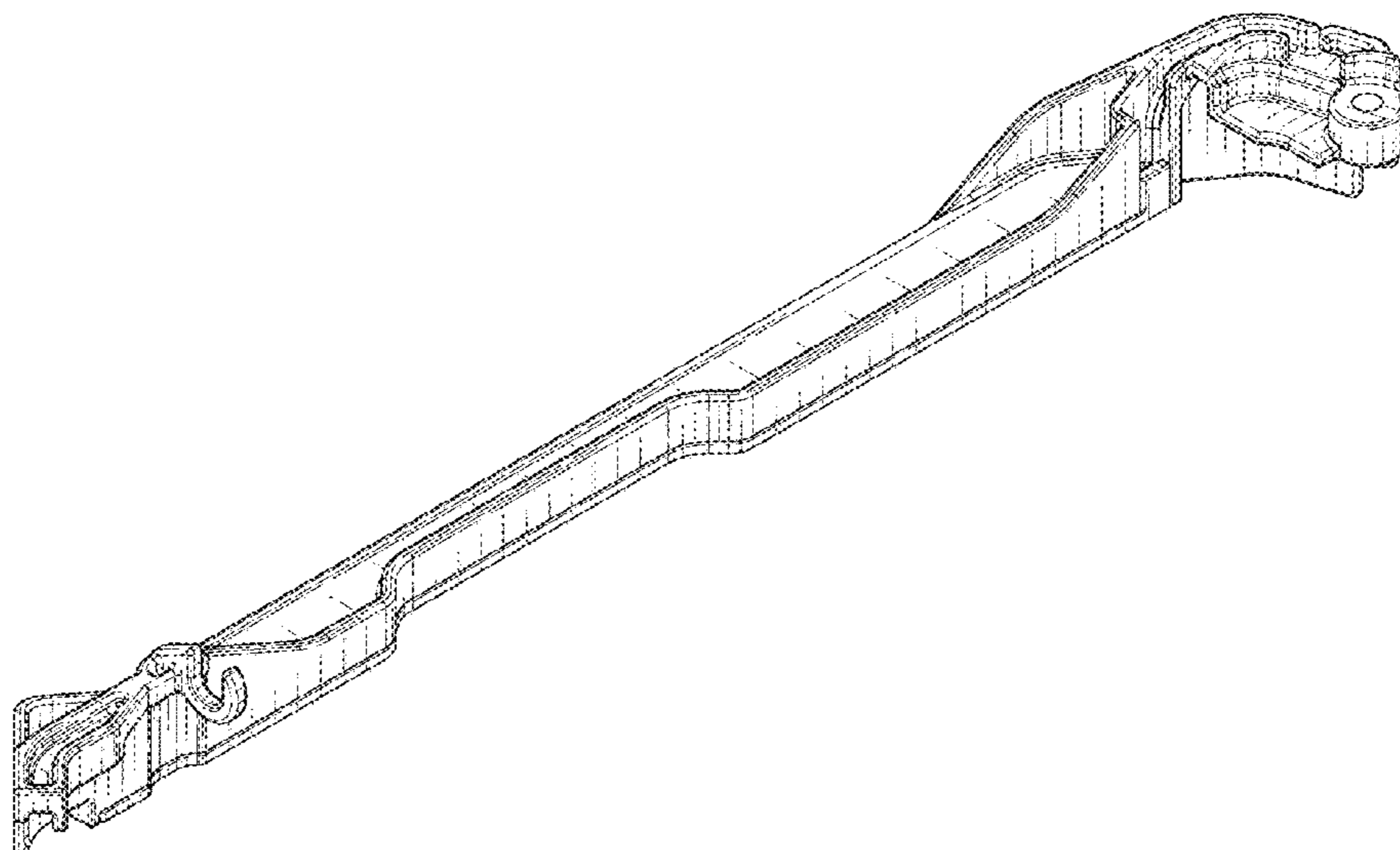
In the drawings, the broken lines illustrate portions of the model vehicle underbody light assembly that form no part of the claimed design.

(56) **References Cited**

U.S. PATENT DOCUMENTS

D310,793 S \* 9/1990 Castagna ..... D10/114.3  
D520,156 S \* 5/2006 Campagna ..... D26/28  
D751,233 S \* 3/2016 Wolff ..... D26/28  
D802,183 S \* 11/2017 Leutiger ..... D26/28  
D865,247 S \* 10/2019 Grewer ..... D26/31  
D908,177 S 1/2021 Sprowl et al.  
D917,748 S \* 4/2021 Lenglin ..... D26/28  
D924,338 S \* 7/2021 Wood ..... D21/561  
D951,369 S \* 5/2022 Sprowl ..... D21/561  
D952,202 S \* 5/2022 Morelock ..... D26/28

**1 Claim, 7 Drawing Sheets**



(56)

**References Cited**

U.S. PATENT DOCUMENTS

|              |      |         |               |       |                        |
|--------------|------|---------|---------------|-------|------------------------|
| D1,057,234   | S *  | 1/2025  | Collins       | ..... | D26/28                 |
| D1,073,821   | S *  | 5/2025  | Ewing         | ..... | D21/561                |
| D1,074,844   | S *  | 5/2025  | Hagler        | ..... | D21/561                |
| D1,074,845   | S *  | 5/2025  | Hagler        | ..... | D21/561                |
| D1,080,756   | S *  | 6/2025  | Ewing         | ..... | D21/483                |
| D1,081,503   | S    | 7/2025  | Ewing et al.  |       |                        |
| D1,088,996   | S *  | 8/2025  | Hix           | ..... | D21/561                |
| D1,089,448   | S *  | 8/2025  | Ewing         | ..... | D21/561                |
| D1,089,449   | S    | 8/2025  | Hagler et al. |       |                        |
| D1,106,354   | S *  | 12/2025 | Martin        | ..... | D21/562                |
| 2006/0152936 | A1 * | 7/2006  | Thomas        | ..... | B60Q 1/0088<br>362/459 |
| 2013/0153768 | A1 * | 6/2013  | Hale          | ..... | G01C 11/02<br>250/342  |

OTHER PUBLICATIONS

Traxxas, 10799-Red Underbody LED Light Set, published on Jun. 16, 2025 [online]. Retrieved from internet (Date: Dec. 29, 2025),

<https://www.amazon.com/Traxxas-10799-RED-Mini-Underbody-Light/dp/B0DTV665Q4/> (Year: 2025).\*

Traxxas, 10590-Red Underbody LED Light Kit, published on Oct. 29, 2025 [online]. Retrieved from internet (Date: Dec. 29, 2025), <https://www.amazon.com/Traxxas-10590-RED-4-Tec-Underbody-Light/dp/B0DX45MKBM/> (Year: 2025).\*

4-Tec Blue Underbody LED Light Kit, Traxxas Website, No Available Date [Website Visited Sep. 5, 2025] Available on the Internet, URL <https://traxxas.com/10590-blue-4-tec-blue-underbody-led-light-kit> (Year: 2025).

Traxxas 10590-Wht—4-Tec 2.0 Underbody LED Light Kit, White, Amazon Website, No Available Date [Website Visited Sep. 5, 2025] Available on the Internet, URL <https://www.amazon.com/dp/B0DX3NLGH5/> (Year: 2025).

Traxxas 10799-Blue—Mini Maxx Underbody LED Light Set, Blue, Amazon Website, No Available Date [Website Visited Aug. 19, 2025] Available on the Internet, URL <https://www.amazon.com/dp/B0DTV59W5T> (Year: 2025).

Blue Underbody LED Light Kit, Traxxas Website, No Available Date [Website Visited Aug. 19, 2025] Available on the Internet, URL <https://traxxas.com/10799-blue-mini-maxx-blue-underbody-led-light-kit> (Year: 2025).

\* cited by examiner

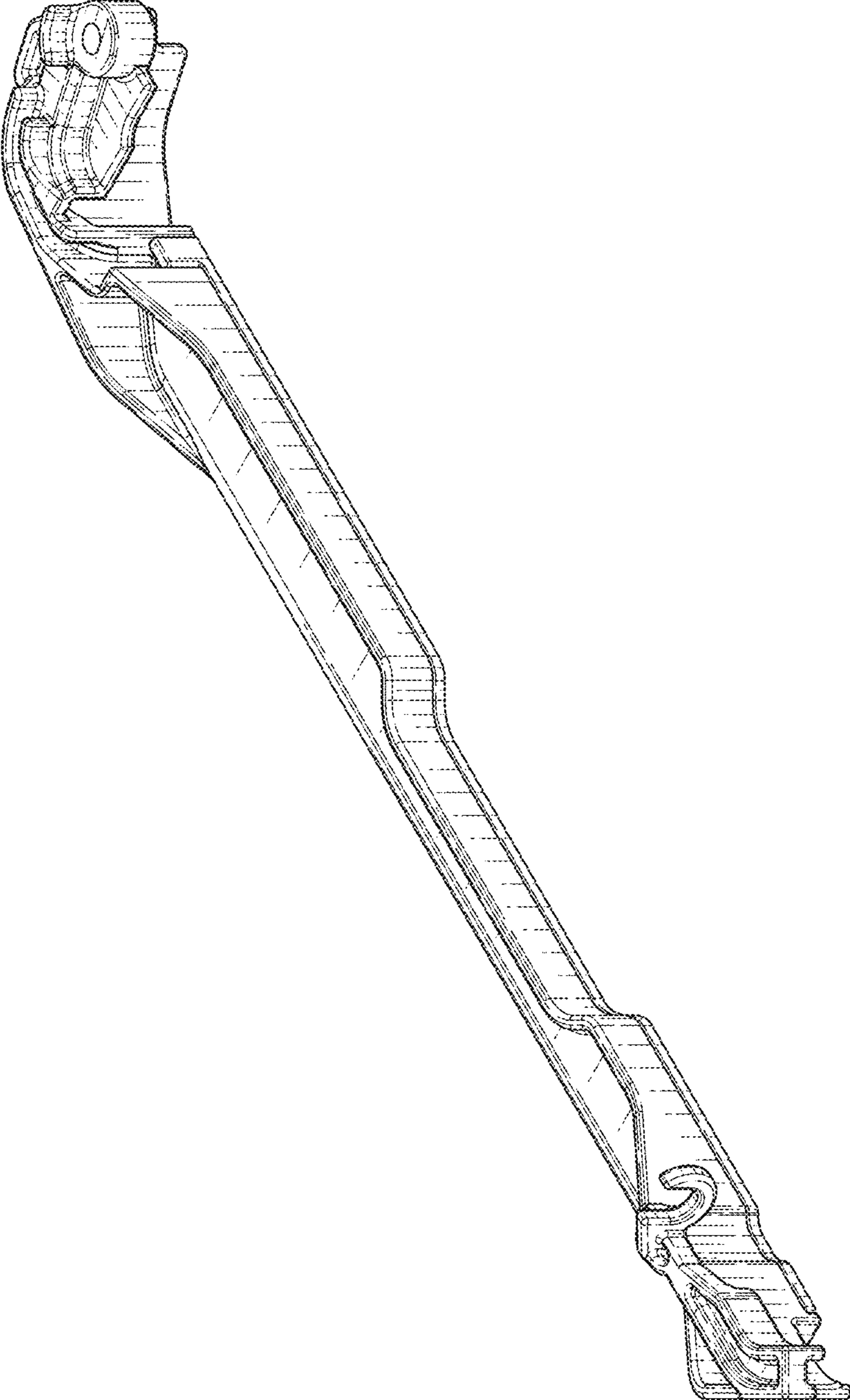


FIG. 1

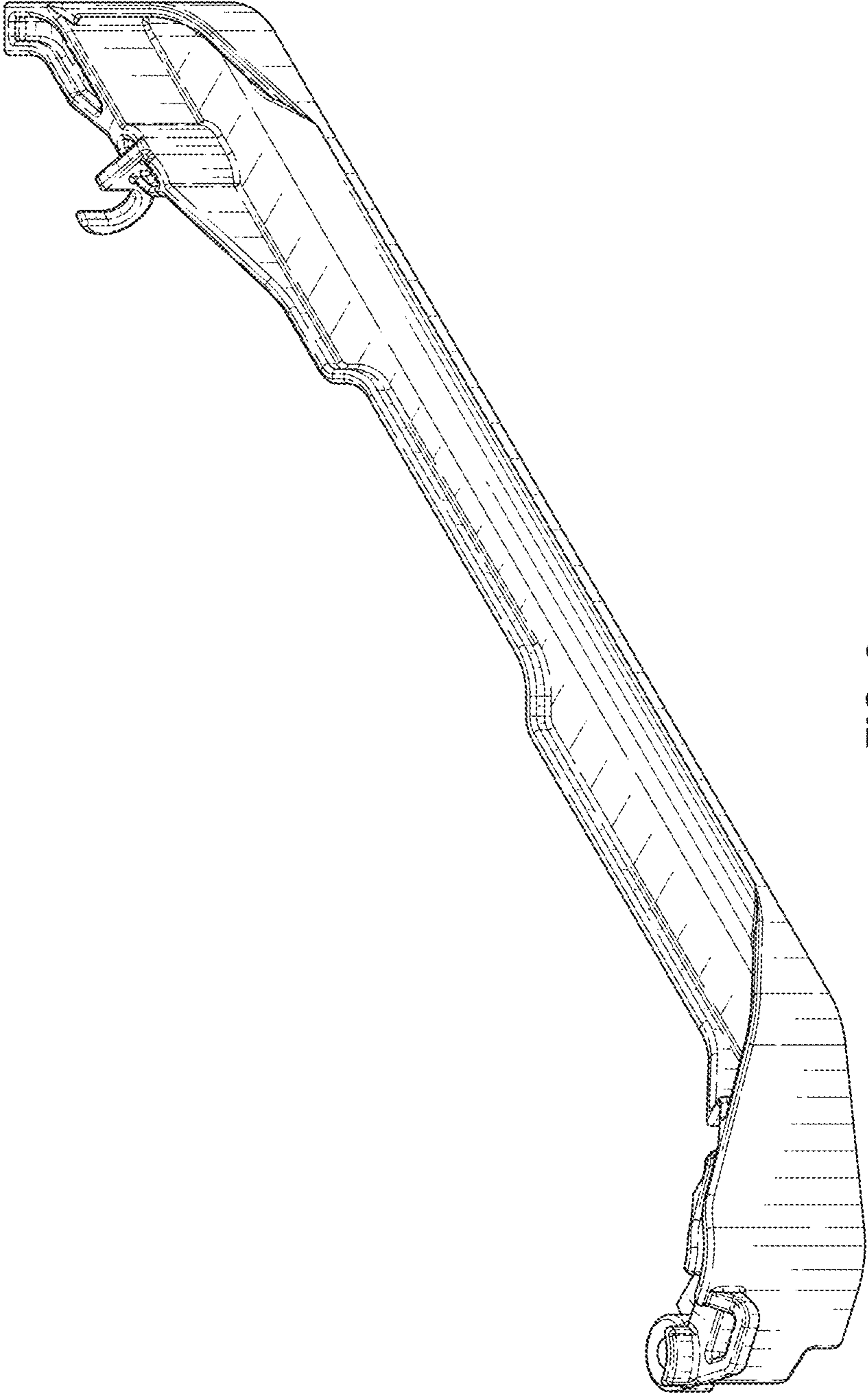


FIG. 2

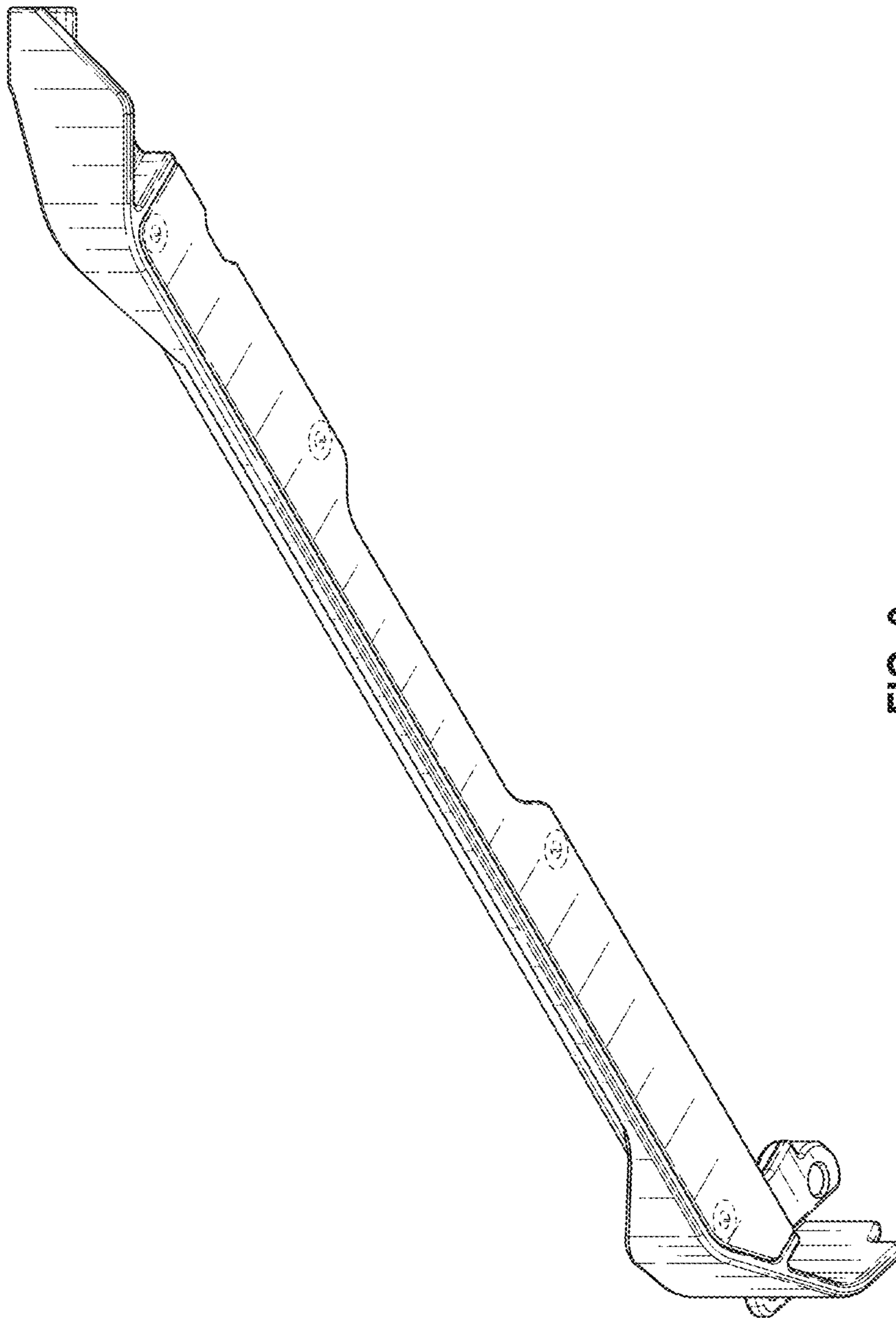


FIG. 3

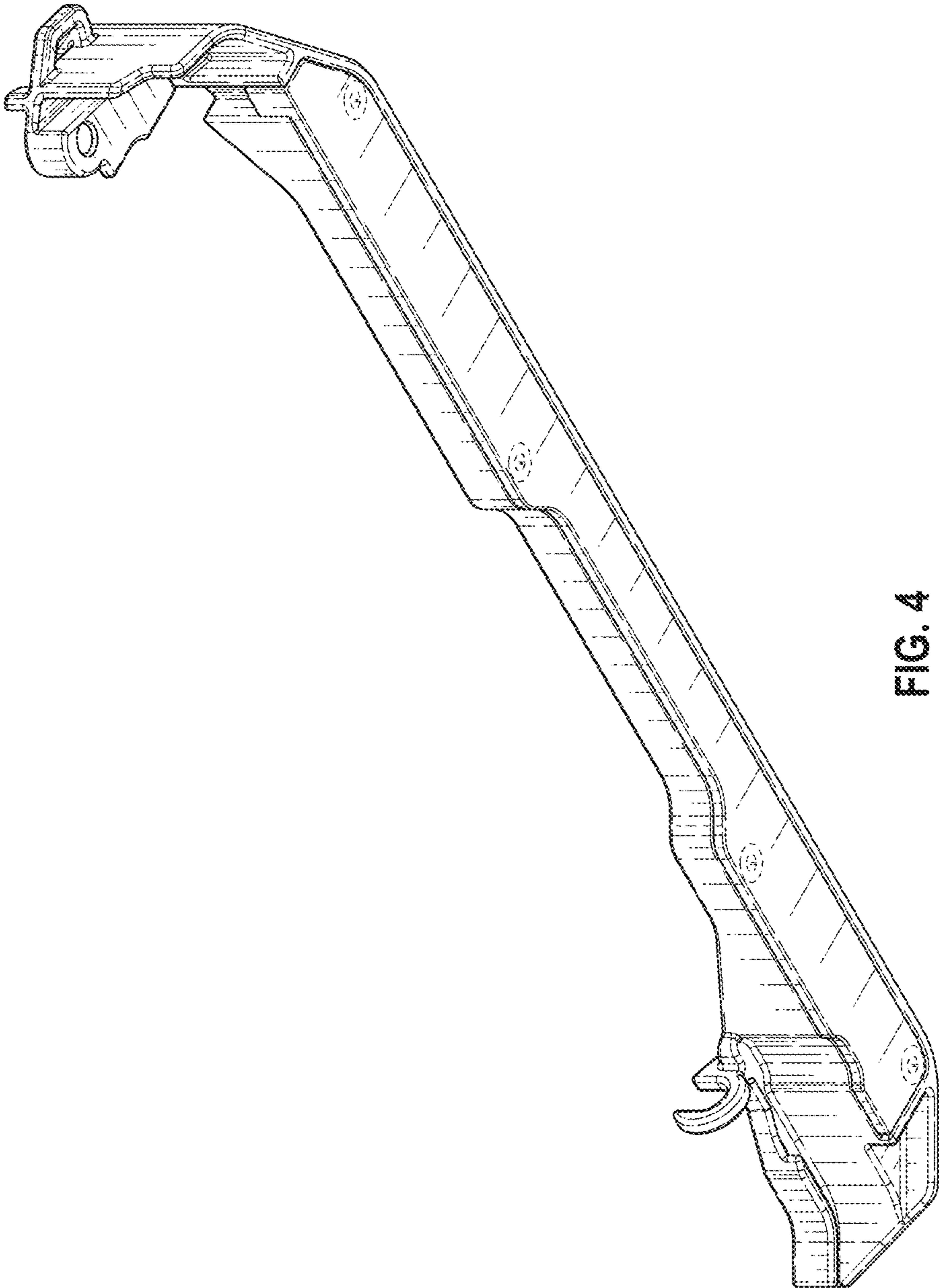


FIG. 4

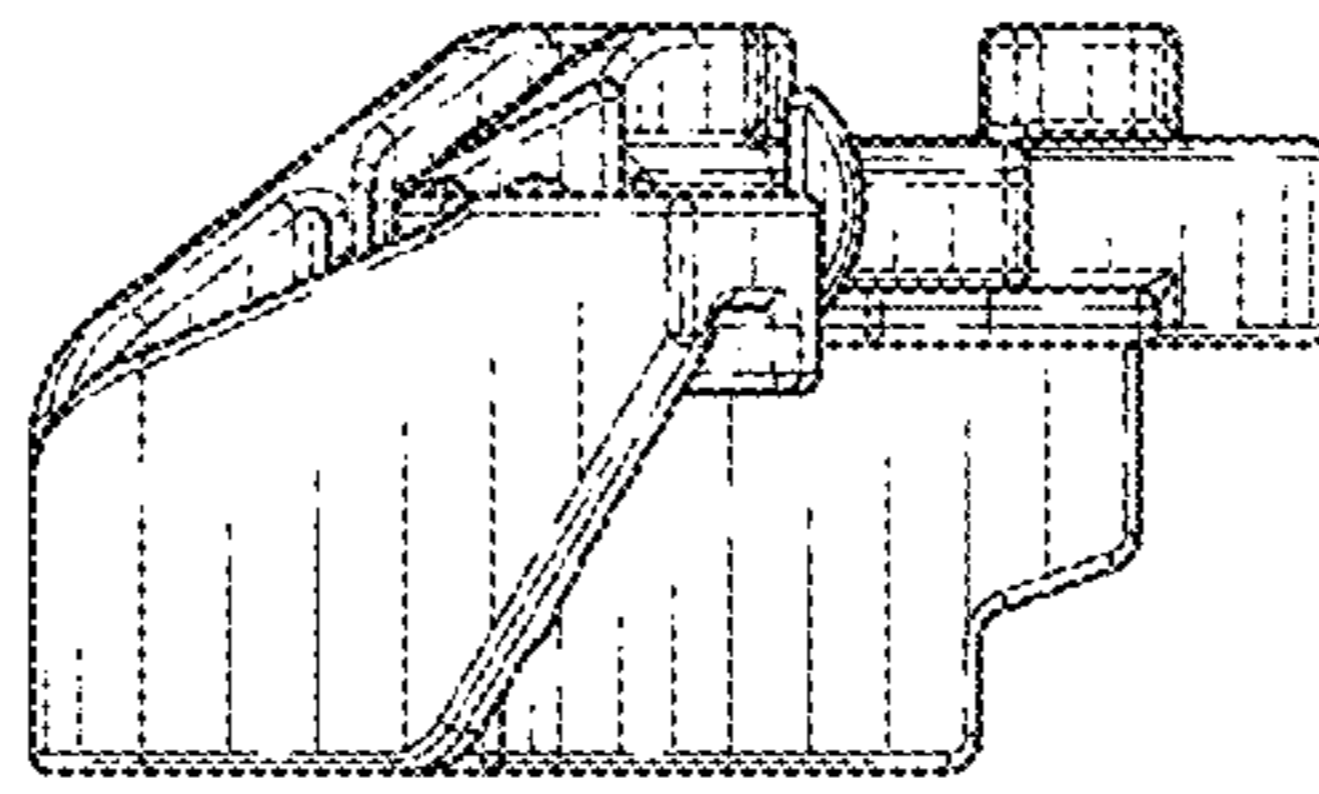


FIG. 5

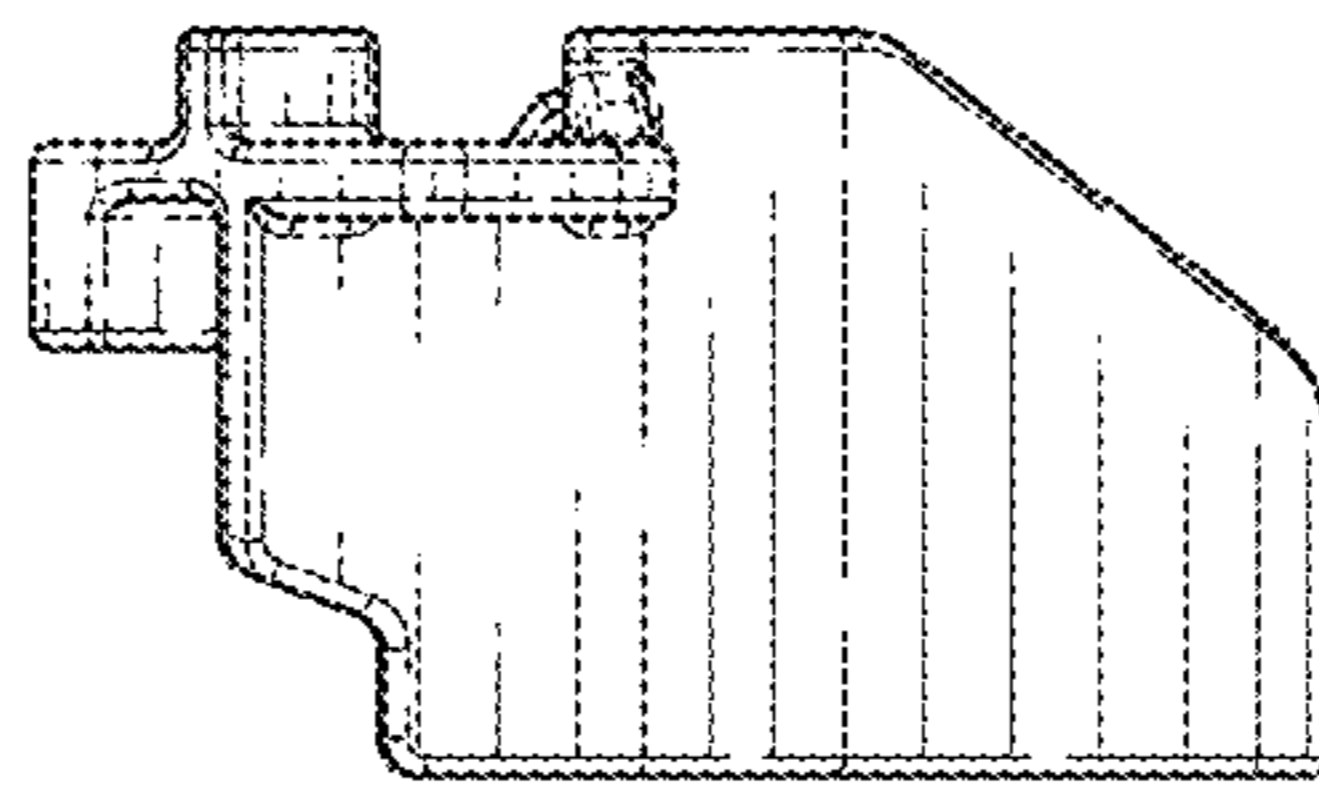


FIG. 6

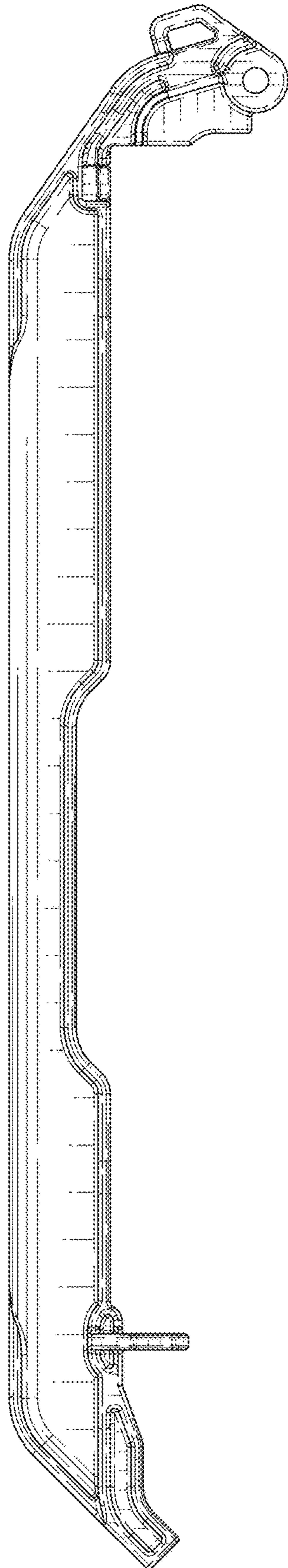


FIG. 7

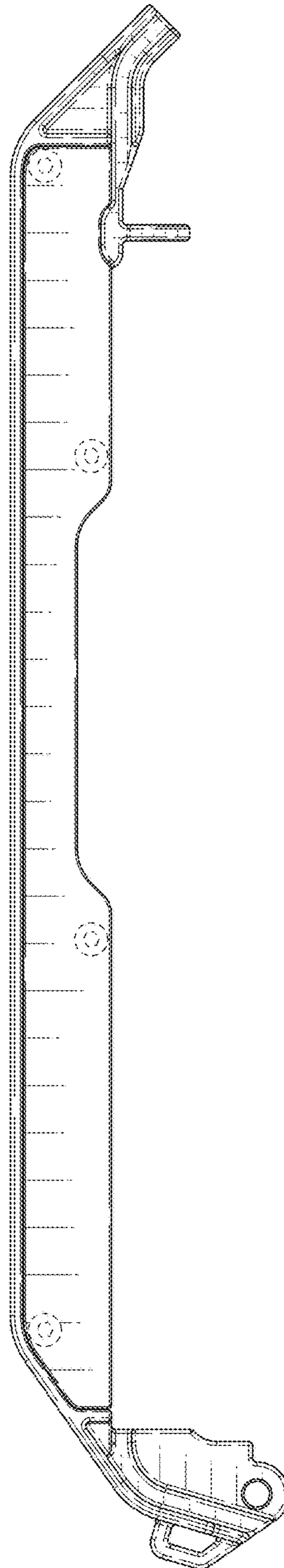


FIG. 8

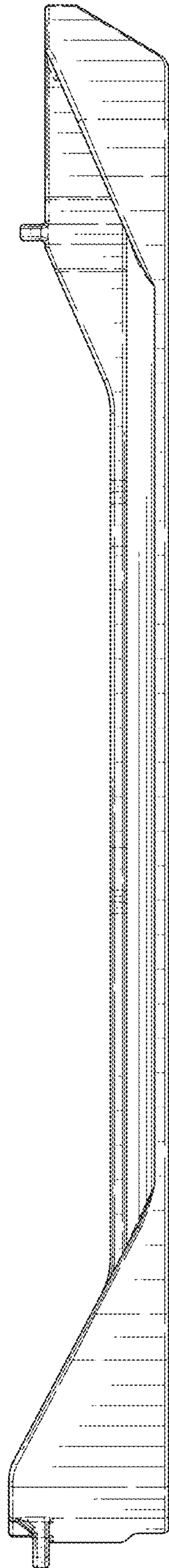


FIG. 9

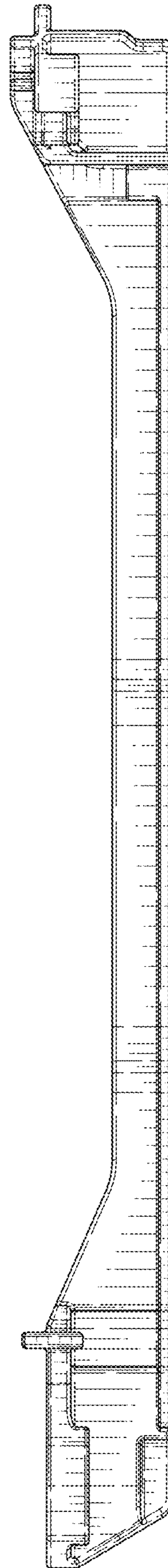


FIG. 10