



US0D1120143S

(12) **United States Design Patent**  
**Ewing et al.**

(10) **Patent No.: US D1,120,143 S**  
(45) **Date of Patent: \*\* Mar. 24, 2026**

(54) **MODEL VEHICLE CHASSIS MOUNT**

FOREIGN PATENT DOCUMENTS

(71) Applicant: **TRAXXAS, L.P.**, McKinney, TX (US)

EP 015077025-0010 \* 10/2024  
GB 6399824 \* 10/2024

(72) Inventors: **Adam Cole Ewing**, McKinney, TX (US); **Otto Karl Allmendinger**, Rowlett, TX (US); **Jory Sprowl**, Howe, TX (US); **Ross Martin**, North Richland Hills, TX (US)

OTHER PUBLICATIONS

Traxxas Rustler® Clipless Body Latches Set, Part#: TRA3731, as shown in www.amainhobbies.com, Aug. 11, 2025. (Year: 2025).\*

\* cited by examiner

(73) Assignee: **TRAXXAS, L.P.**, McKinney, TX (US)

*Primary Examiner* — George J Ulsh  
*Assistant Examiner* — Gregory G Mclemore

(\*\*) Term: **15 Years**

(74) *Attorney, Agent, or Firm* — Daryl R. Wright; Greg Carr

(21) Appl. No.: **29/938,928**

(57) **CLAIM**

(22) Filed: **Apr. 24, 2024**

The ornamental design for a model vehicle chassis mount as shown and described.

(51) **LOC (15) Cl.** ..... **21-01**

**DESCRIPTION**

(52) **U.S. Cl.**

USPC ..... **D21/562**; D21/561

(58) **Field of Classification Search**

USPC ..... D21/424, 433, 434, 483, 495, 533, 548,  
D21/549, 550, 552, 560, 561, 562, 581,  
D21/833

CPC ..... A63H 17/262; A63H 17/26; A63H 19/15  
See application file for complete search history.

FIG. 1 is an upper, left, front perspective view of a model vehicle chassis mount showing our new design; FIG. 2 is an upper, right, rear perspective view thereof; FIG. 3 is a lower, right, front perspective view thereof; FIG. 4 is a lower, left, rear perspective view thereof; FIG. 5 is a front elevation view thereof; FIG. 6 is a rear elevation view thereof; FIG. 7 is an upper plan view thereof; FIG. 8 is a lower plan view thereof; FIG. 9 is a right-side elevation view thereof; and, FIG. 10 is a left-side elevation view of the model vehicle chassis mount.

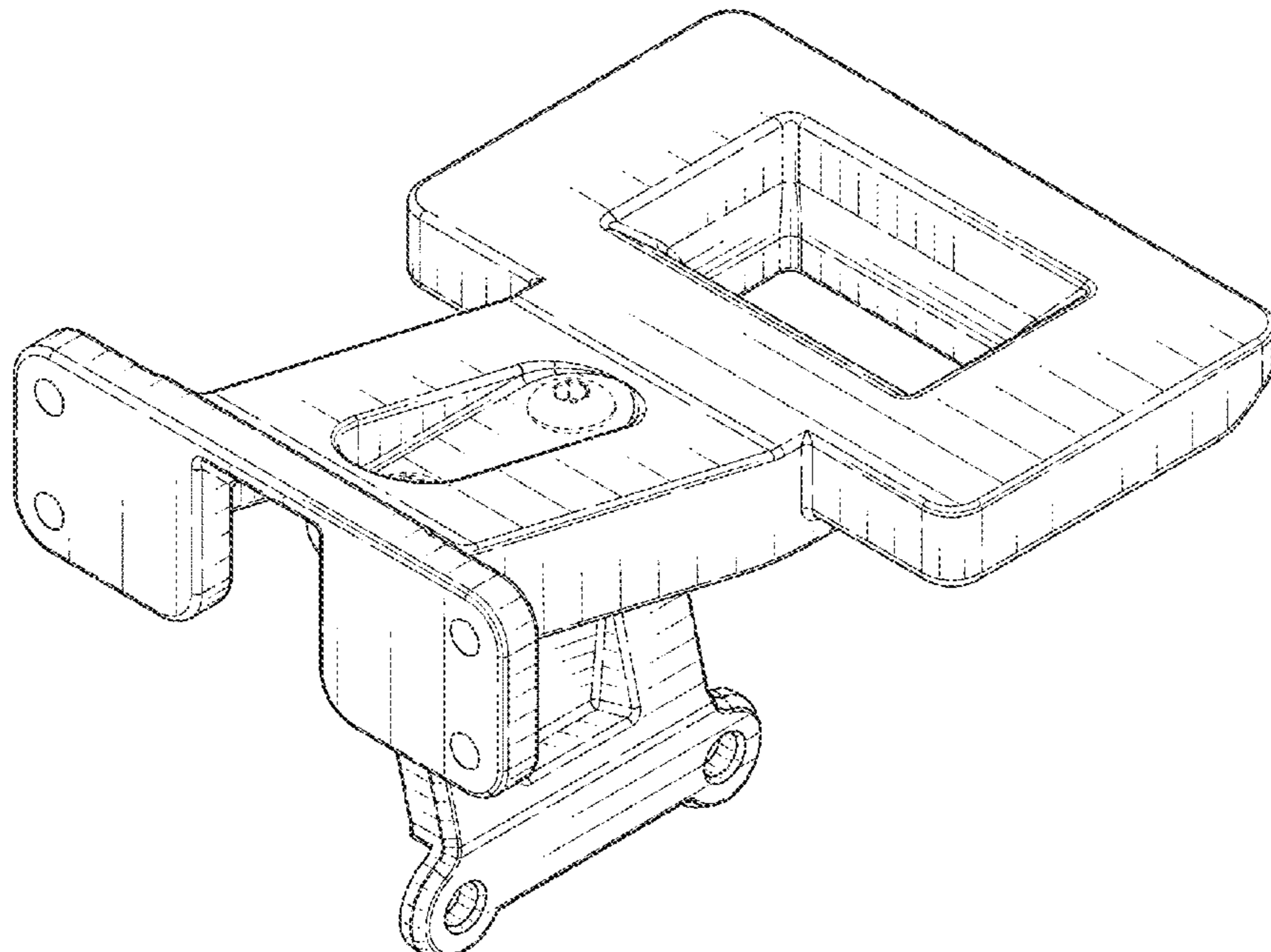
In the drawings, the broken lines illustrate portions of the model vehicle chassis mount that form no part of the claimed design.

(56) **References Cited**

U.S. PATENT DOCUMENTS

D923,115 S	*	6/2021	Ewing	.....	D21/562
D1,054,505 S	*	12/2024	Collins	.....	D21/562
D1,074,846 S	*	5/2025	Hix	.....	D15/5
D1,074,858 S	*	5/2025	Wood	.....	D21/562
D1,100,066 S	*	10/2025	Ewing	.....	D21/562
D1,102,971 S	*	11/2025	Sprowl	.....	D21/562
D1,103,301 S	*	11/2025	Ewing	.....	D21/561

**1 Claim, 7 Drawing Sheets**



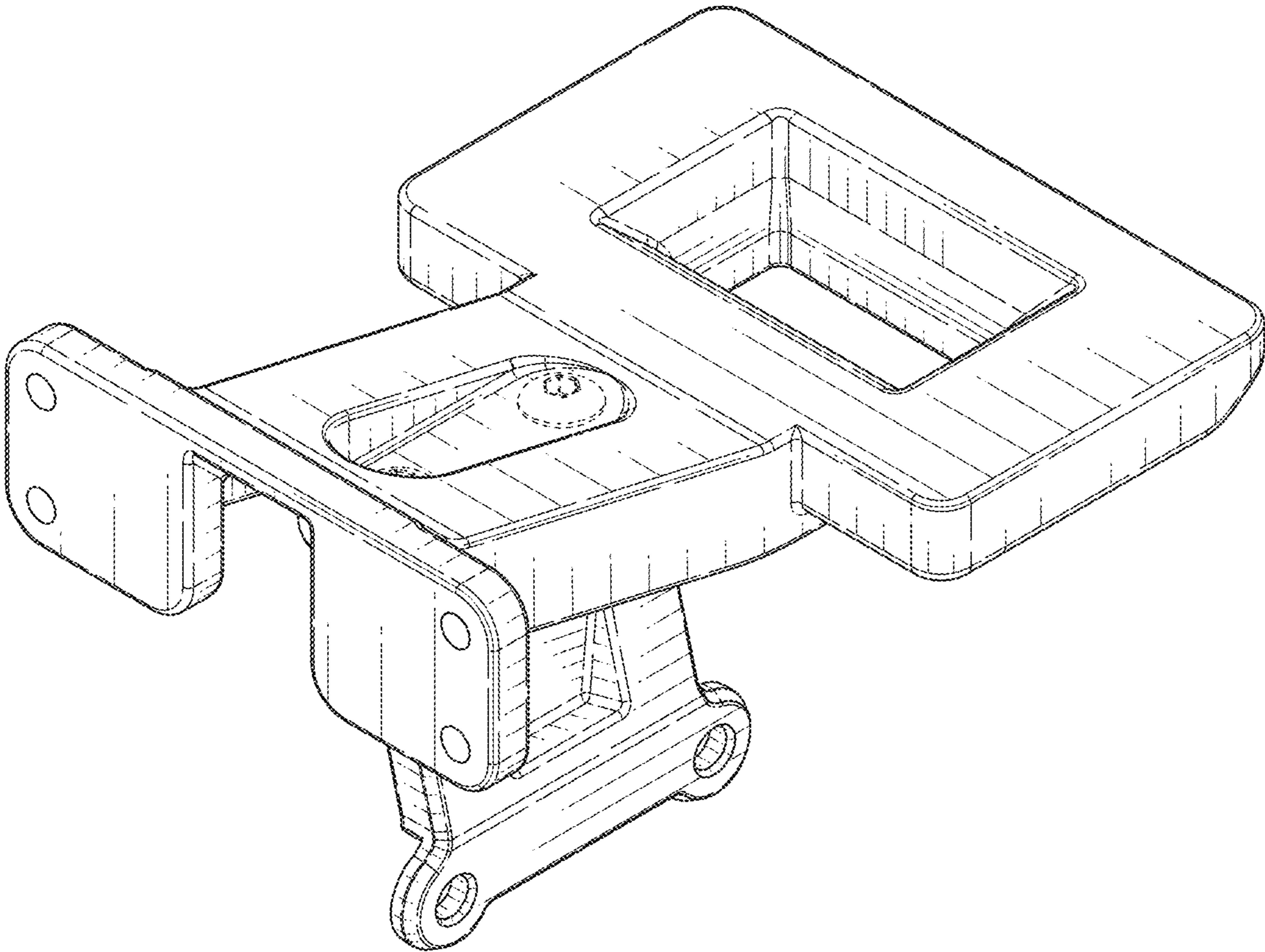


FIG. 1

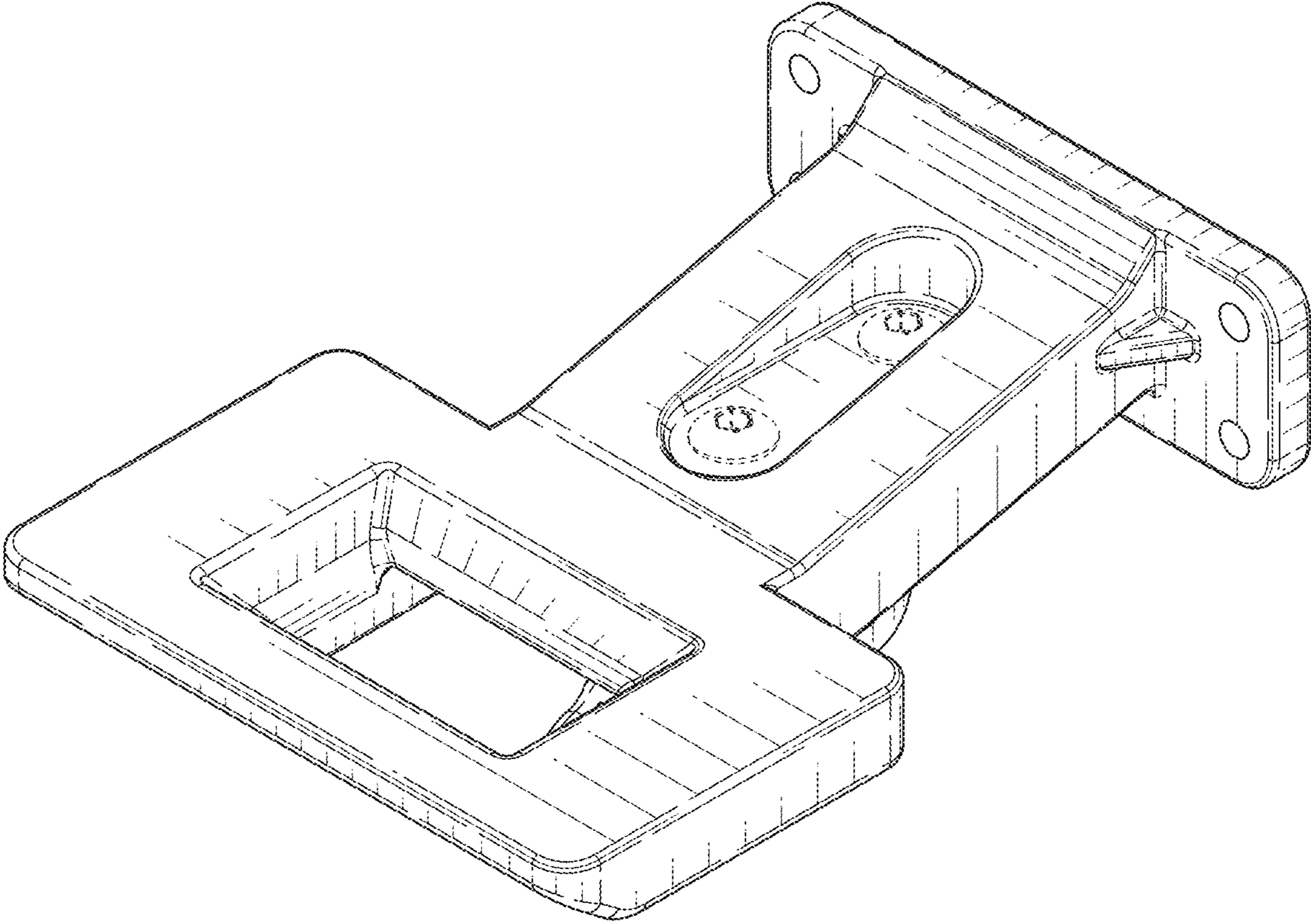


FIG. 2

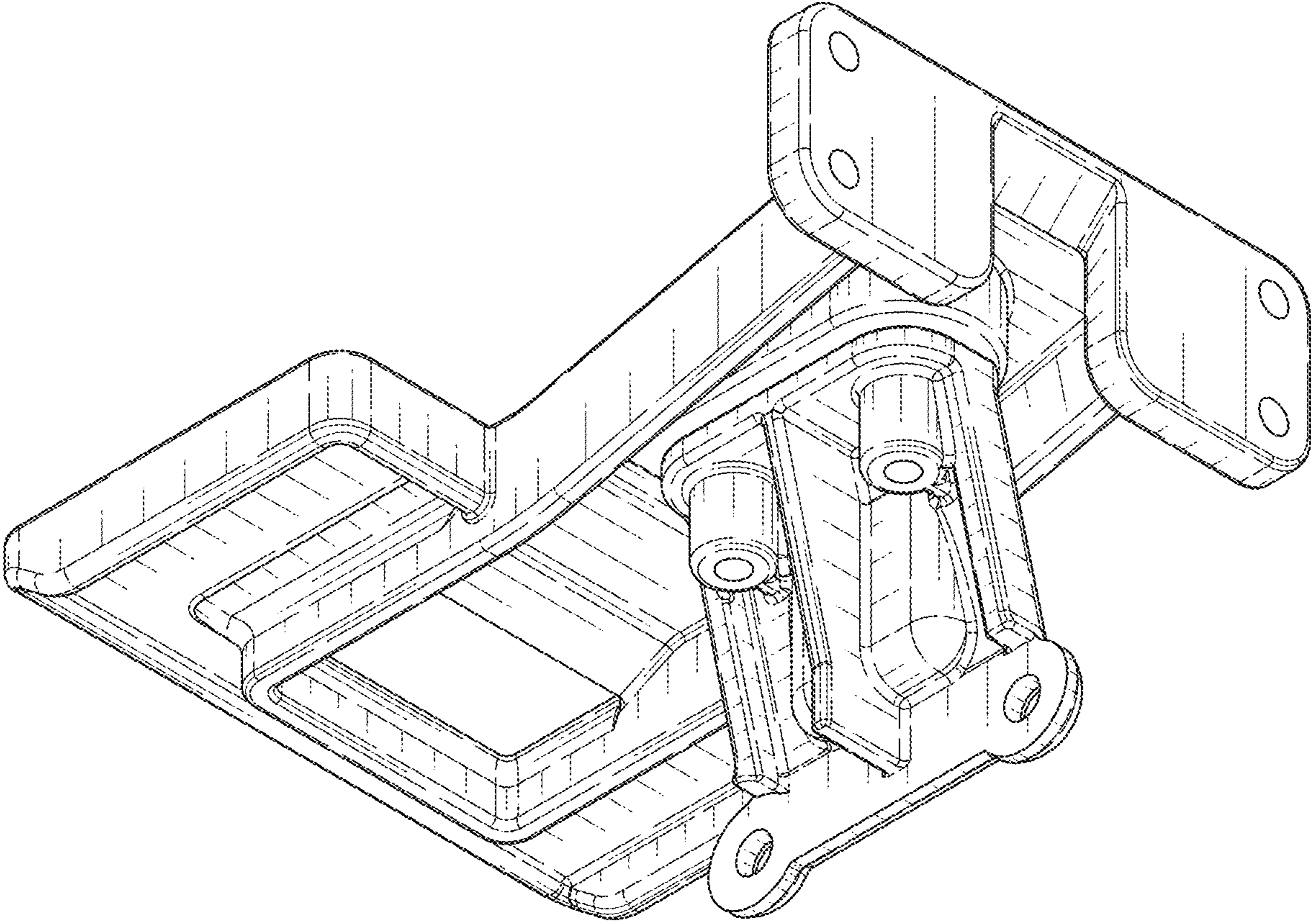


FIG. 3

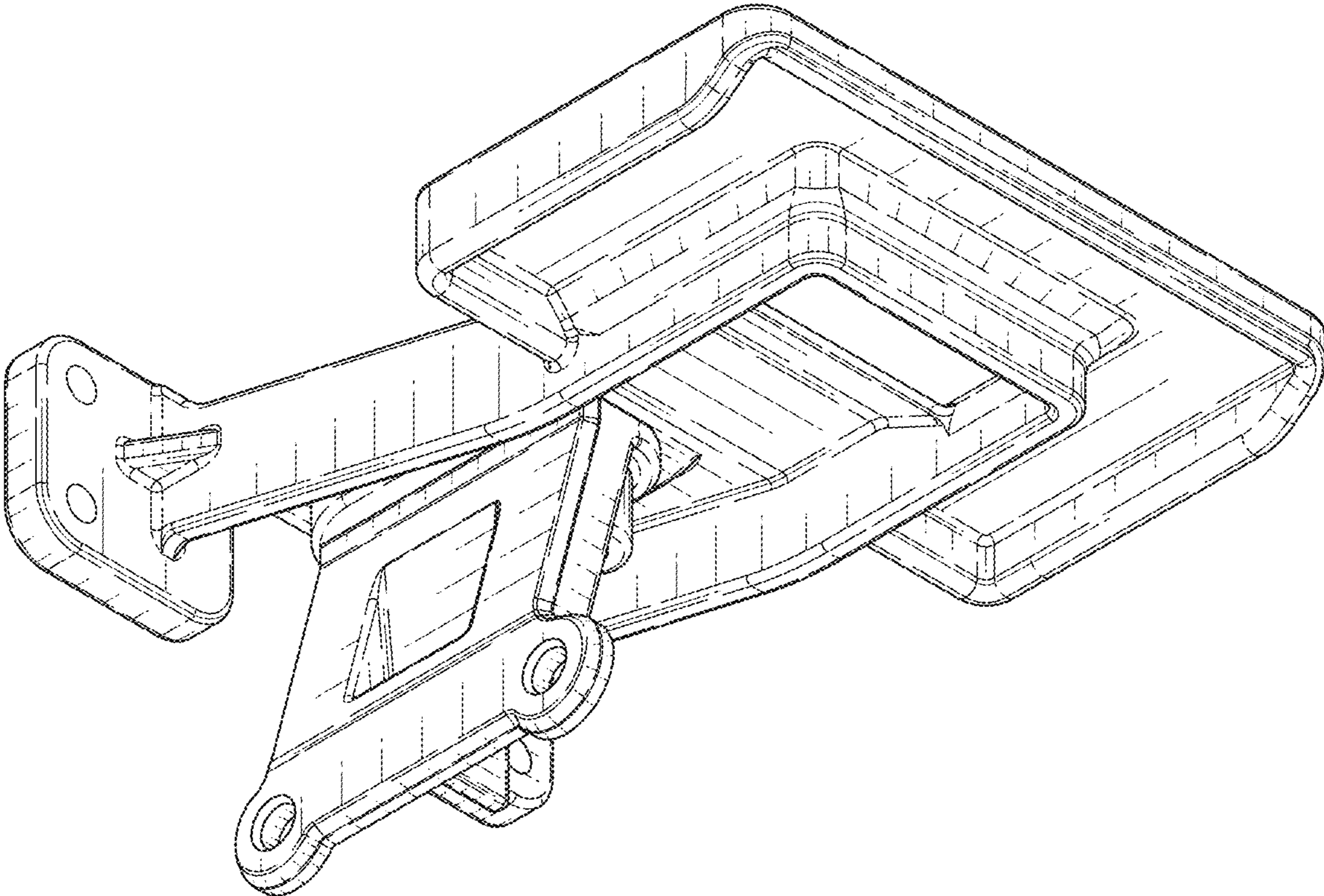


FIG. 4

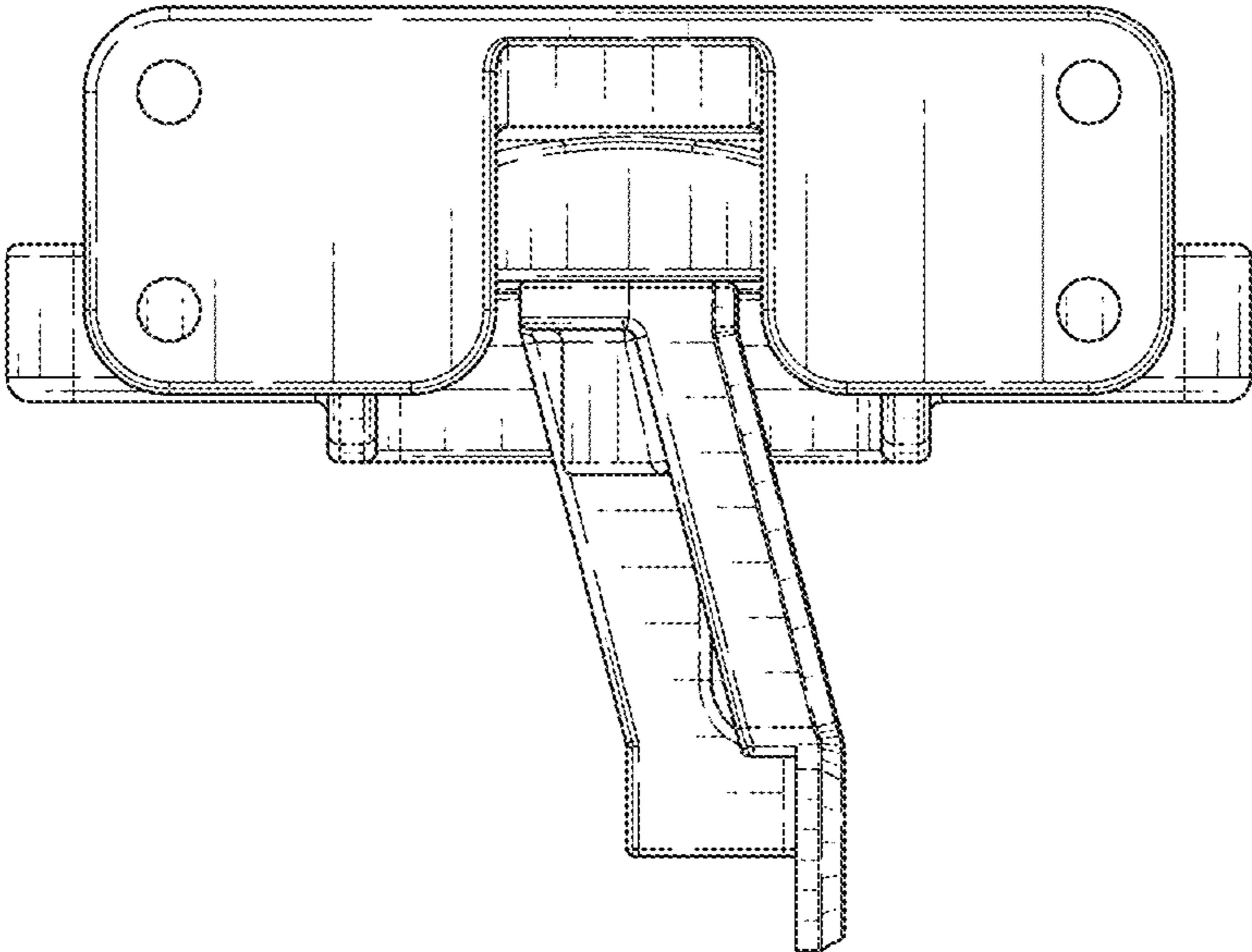


FIG. 5

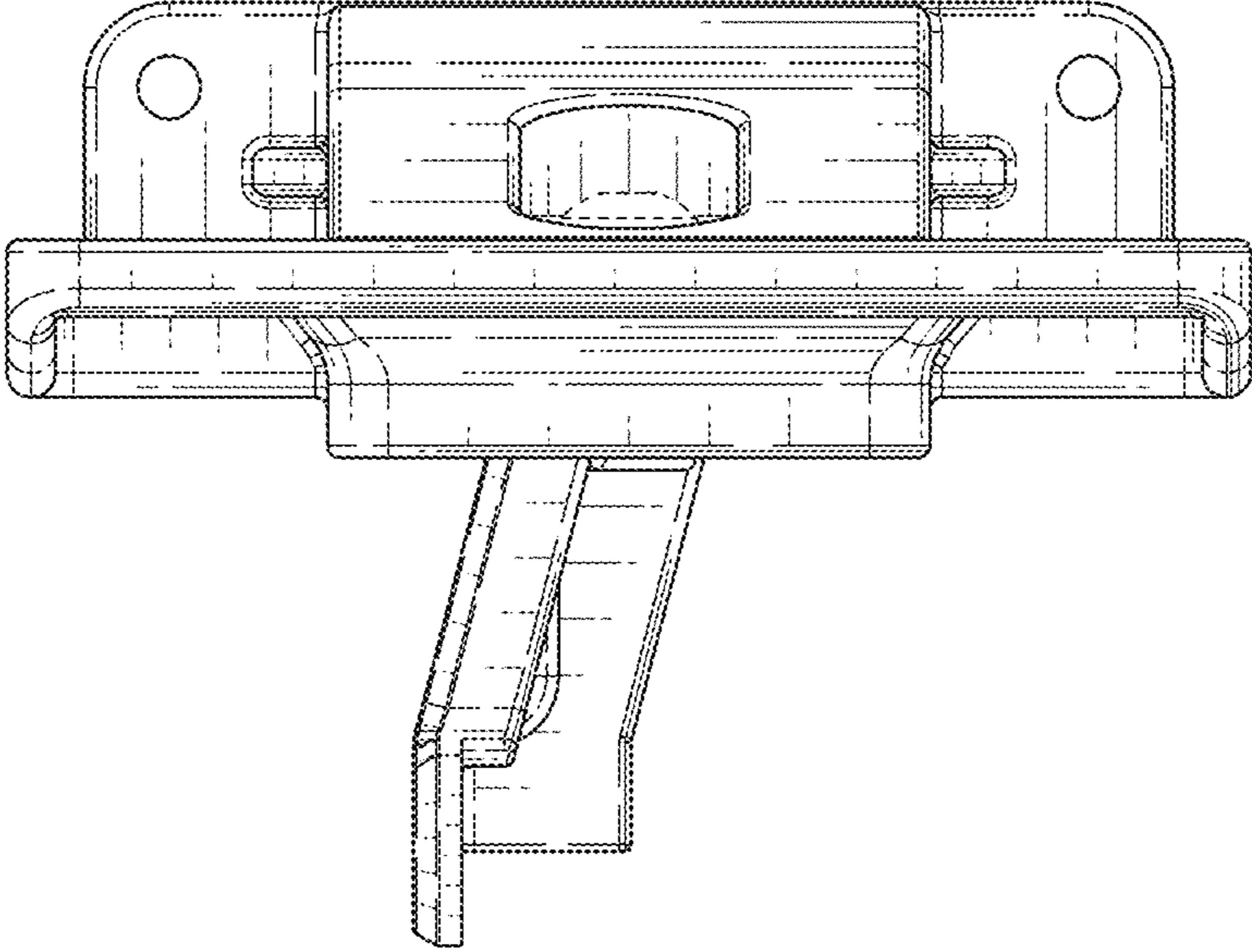


FIG. 6

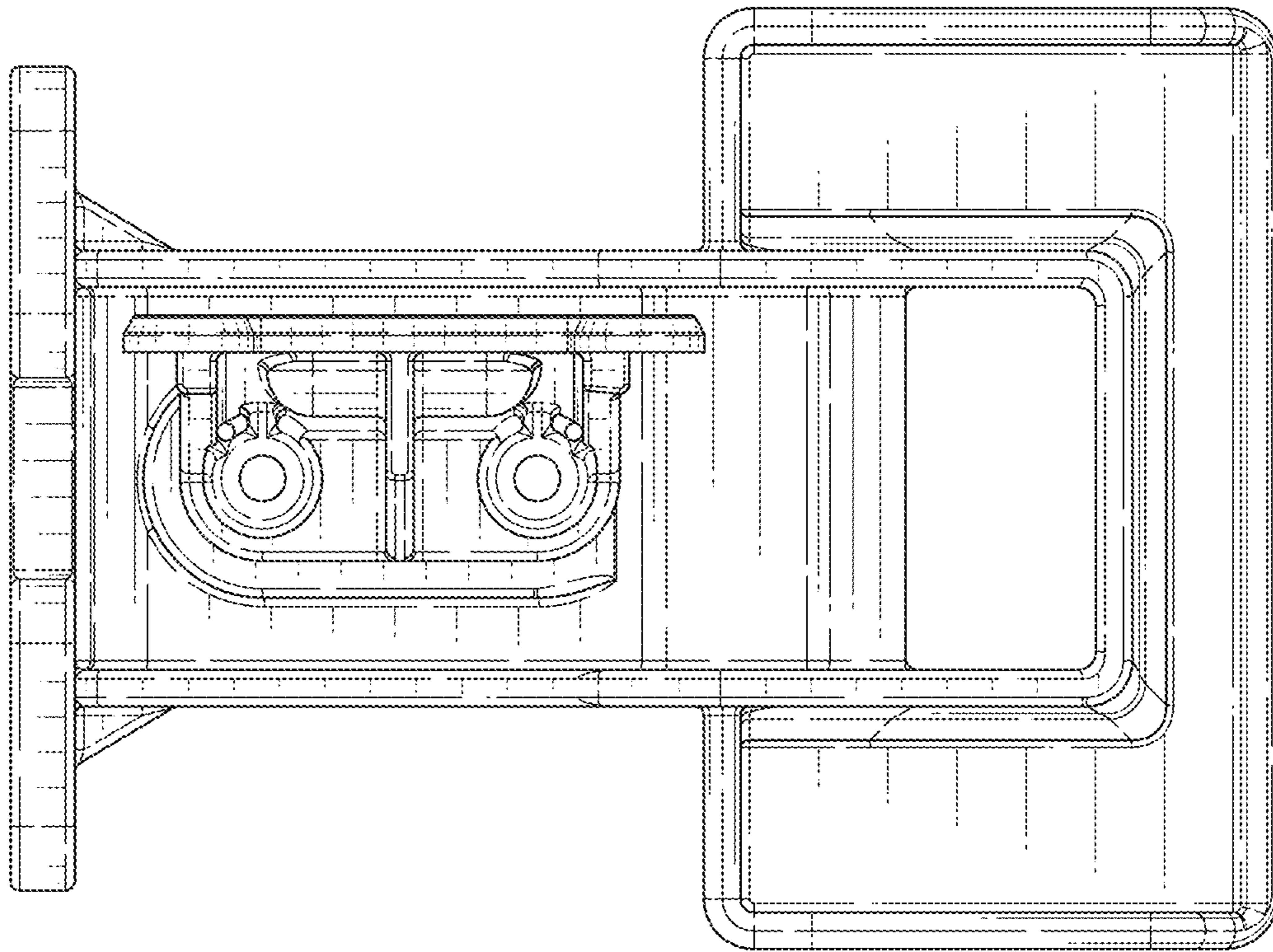


FIG. 8

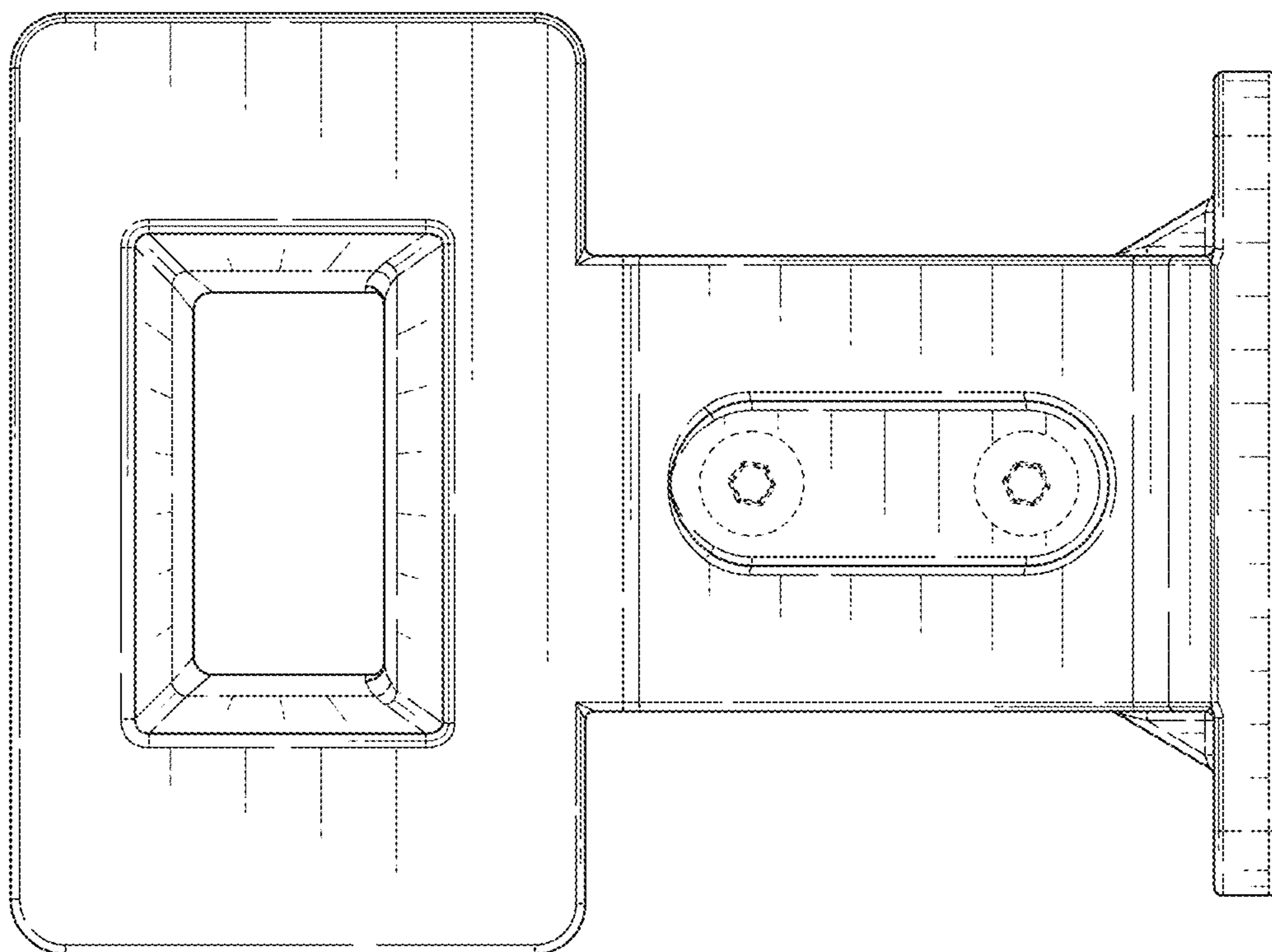


FIG. 7

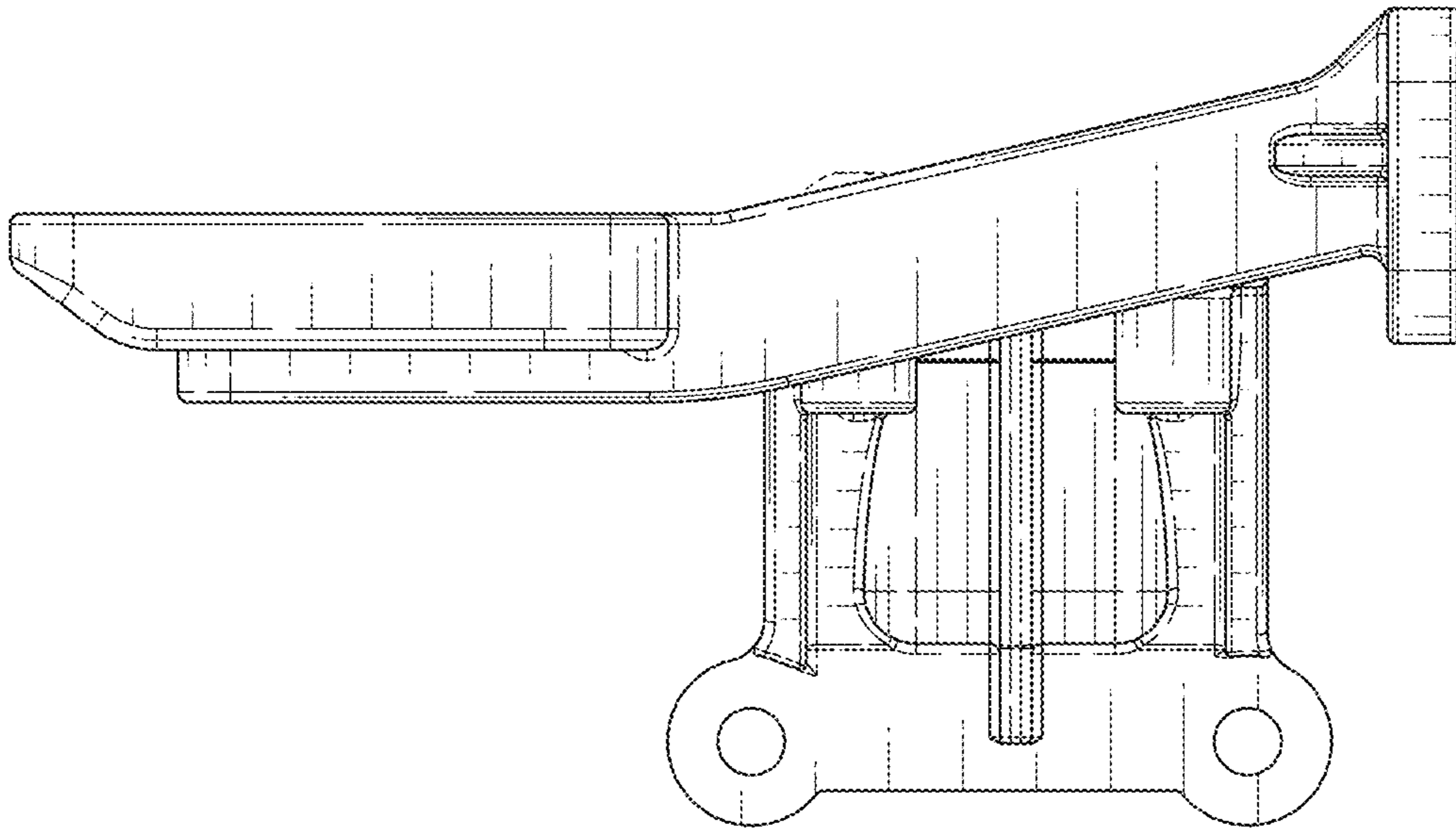


FIG. 9

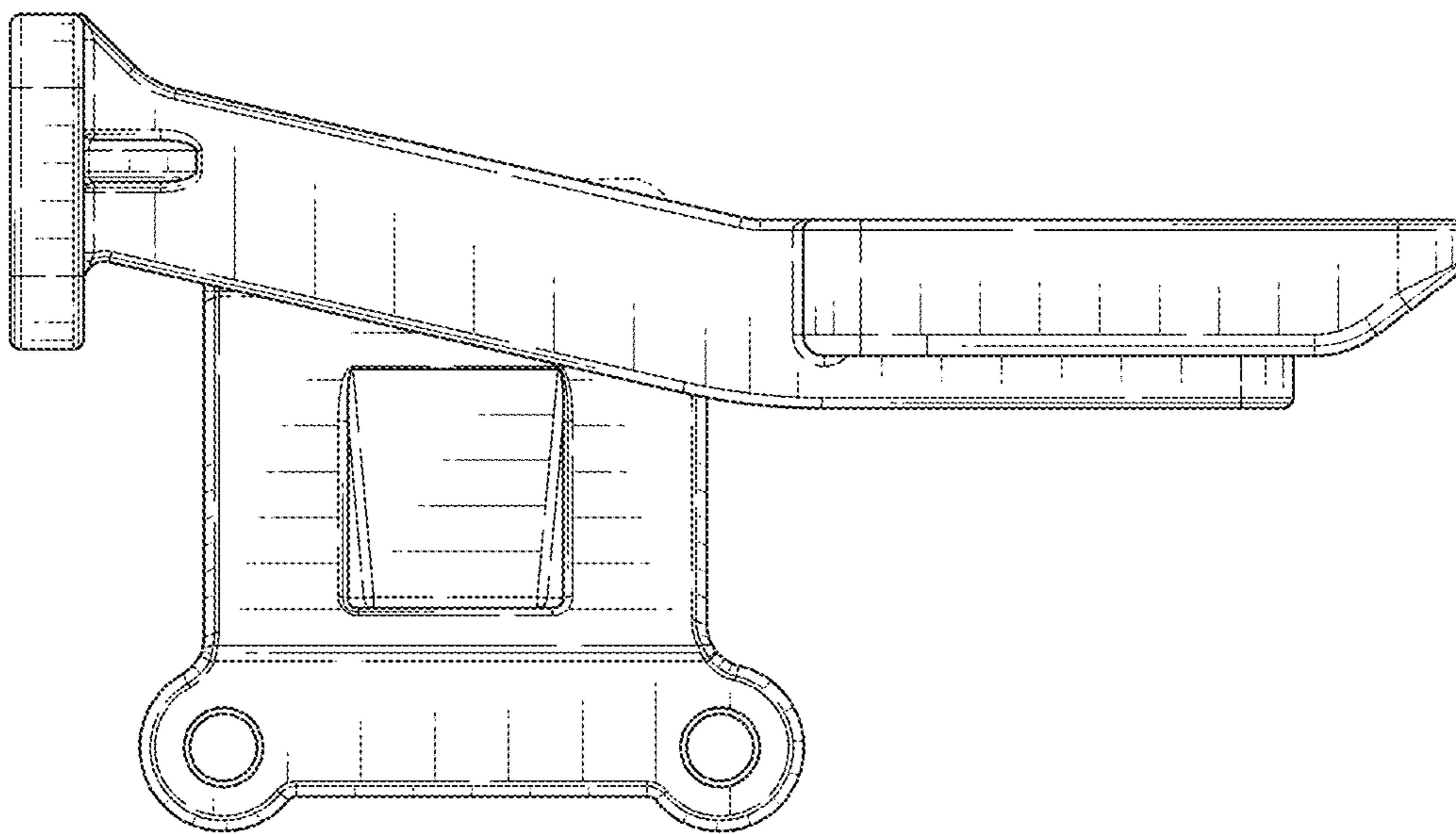


FIG. 10