



US0D1120142S

(12) **United States Design Patent** (10) **Patent No.:** **US D1,120,142 S**
Ewing et al. (45) **Date of Patent:** **** Mar. 24, 2026**

(54) **MODEL VEHICLE BODY MOUNT**

FOREIGN PATENT DOCUMENTS

(71) Applicant: **TRAXXAS, L.P.**, McKinney, TX (US)

EM 015077025-0007 * 10/2024
GB 6399821 * 10/2024
GB 6399822 10/2024

(72) Inventors: **Adam Cole Ewing**, McKinney, TX (US); **Otto Karl Allmendinger**, Rowlett, TX (US); **Jory Sprowl**, Howe, TX (US); **Ross Martin**, North Richland Hills, TX (US)

OTHER PUBLICATIONS

(73) Assignee: **TRAXXAS, L.P.**, McKinney, TX (US)

Traxxas Clipless Latch Body Mount F/R (Rustler), Model: TRA3730, as shown in www.shop.pvrc.ca, Jan. 15, 2025. (Year: 2025).*
Traxxas Rustler® Clipless Body Mount Set, Part# TRA3730, as shown in www.hobbytown.com, Aug. 11, 2025. (Year: 2025).*
Traxxas TRX-4 Latch Body Mounts (2), Part # TRA9216, as shown in www.amainbobbies.com, Apr. 20, 2024. (Year: 2024).*

(**) Term: **15 Years**

(Continued)

(21) Appl. No.: **29/938,906**

Primary Examiner — George J Ulsh

(22) Filed: **Apr. 24, 2024**

Assistant Examiner — Gregory G Mclemore

(51) **LOC (15) Cl.** **21-01**

(74) *Attorney, Agent, or Firm* — Daryl R. Wright; Greg Carr

(52) **U.S. Cl.**

(57) **CLAIM**

USPC **D21/562**; D21/561

The ornamental design for a model vehicle body mount as shown and described.

(58) **Field of Classification Search**

DESCRIPTION

USPC D21/424, 433, 434, 483, 495, 533, 548, D21/549, 550, 552, 560, 561, 562, 581, D21/833

FIG. 1 is an upper, left, front perspective view of a model vehicle body mount showing our new design;
FIG. 2 is an upper, right, rear perspective view thereof;
FIG. 3 is a lower, right, front perspective view thereof;
FIG. 4 is a lower, left, rear perspective view thereof;
FIG. 5 is a front elevation view thereof;
FIG. 6 is a rear elevation view thereof;
FIG. 7 is an upper plan view thereof;
FIG. 8 is a lower plan view thereof;
FIG. 9 is a right-side elevation view thereof; and,
FIG. 10 is a left-side elevation view of the model vehicle body mount.

CPC A63H 17/262; A63H 17/26; A63H 19/15
See application file for complete search history.

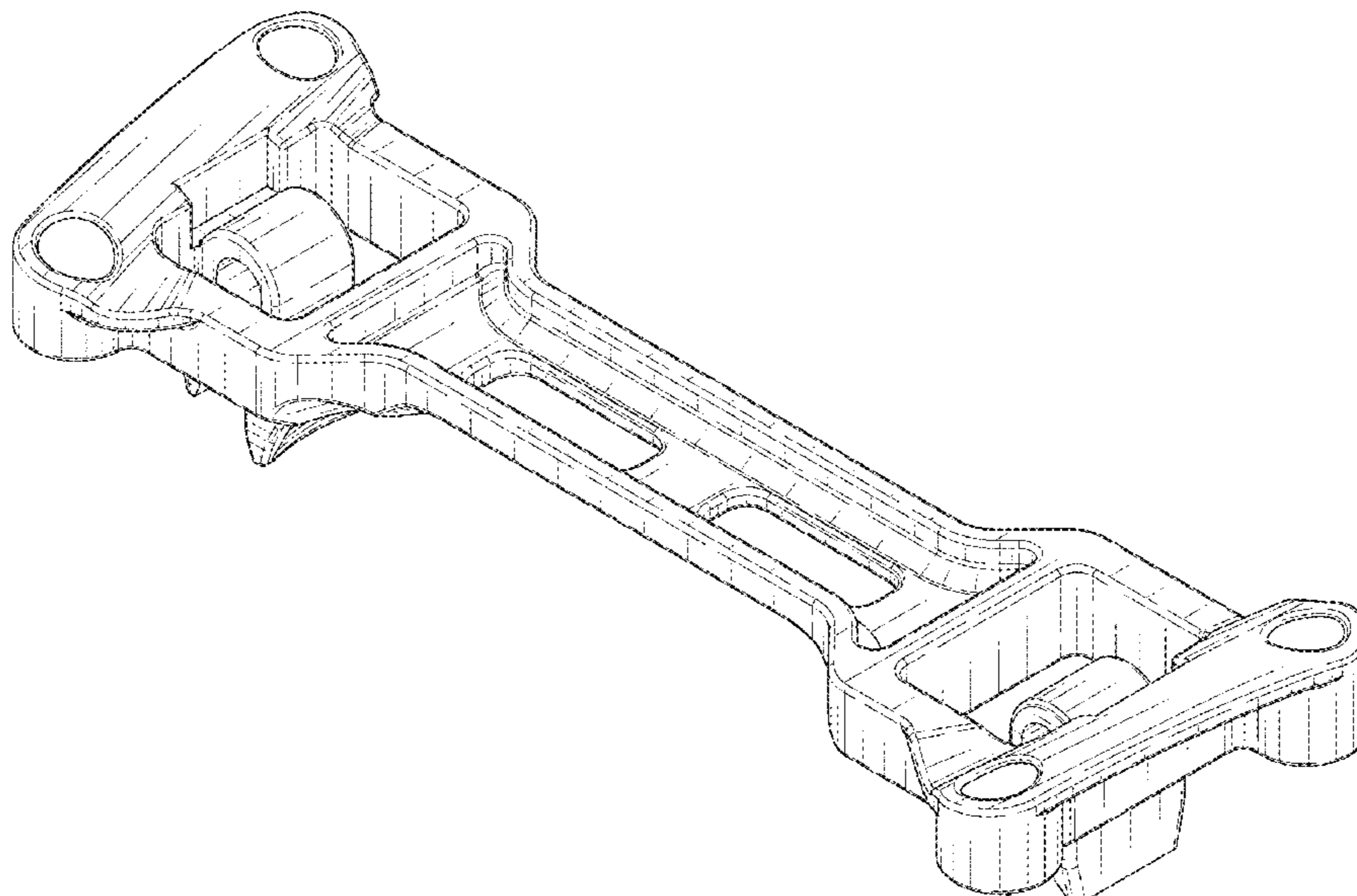
In the drawings, the broken lines illustrate portions of the model vehicle body mount that form no part of the claimed design.

(56) **References Cited**

U.S. PATENT DOCUMENTS

D624,461 S	9/2010	Noble et al.	
D976,294 S	1/2023	Saunders et al.	
D1,014,653 S	2/2024	Christensen et al.	
D1,046,011 S	10/2024	Ewing et al.	
D1,054,505 S	12/2024	Collins et al.	
D1,072,076 S	* 4/2025	Hix	D21/562
D1,072,077 S	* 4/2025	Hix	D21/562
D1,094,598 S	* 9/2025	House	D21/562
D1,100,066 S	* 10/2025	Ewing	D21/562
D1,103,301 S	* 11/2025	Ewing	D21/561

1 Claim, 7 Drawing Sheets



(56)

References Cited

OTHER PUBLICATIONS

Traxxas Slash® Modified Front & Rear Clipless Body Mounts (2) w/Front Body Support, Part #TRA10412, as shown in www.amainhobbies.com, Feb. 12, 2025. (Year: 2025).*

Traxxas Front & Rear Clipless Body Latches, Traxxas Website, No Available Date [Website Visited Sep. 16, 2025] Available on the Internet, URL <https://traxxas.com/3730-front-rear-clipless-body-latches> (Year: 2025).

Traxxas 6940—Front & Rear Body Mounts, Amazon Website, Nov. 27, 2024 [Website Visited Sep. 16, 2025] Available on the Internet, URL <https://www.amazon.com/dp/B0CN2MFW9G> (Year: 2025).

Traxxas 9825—F&R Body Mount Latches, Amazon Website, No Available Date [Website Visited Sep. 16, 2025] Available on the Internet, URL <https://www.amazon.com/dp/B0CN2GDMN7>.

* cited by examiner

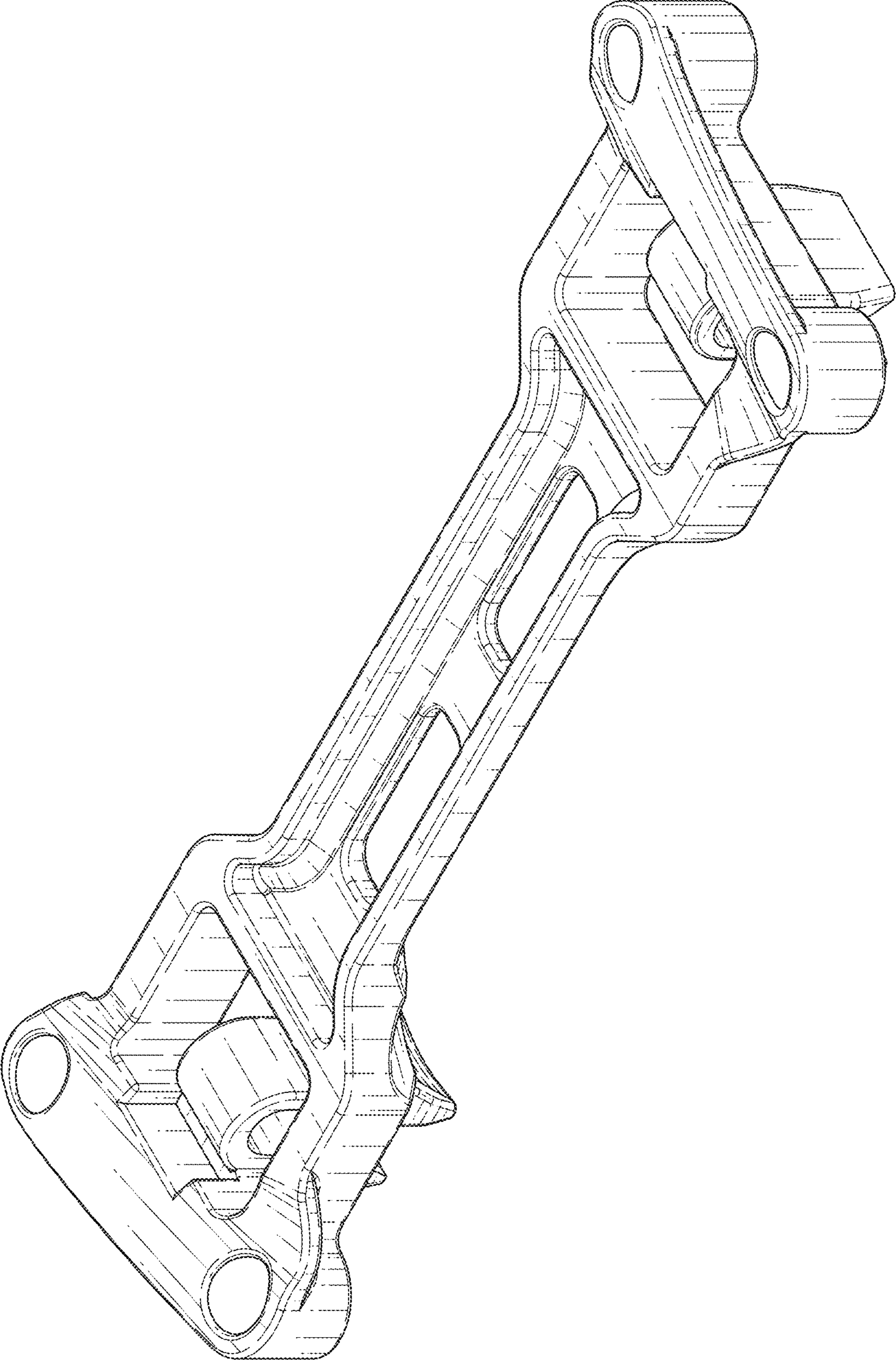


FIG. 1

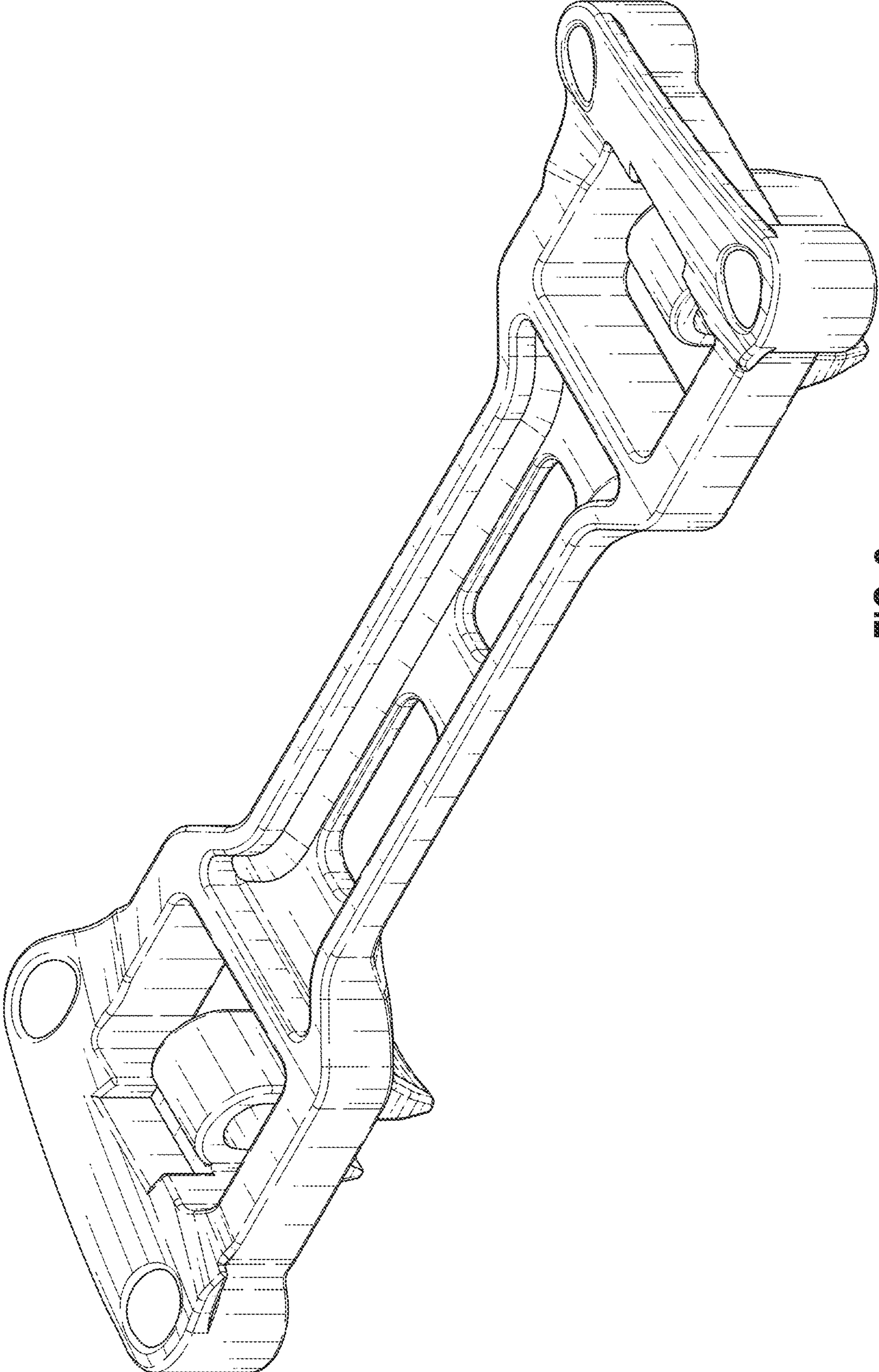


FIG. 2

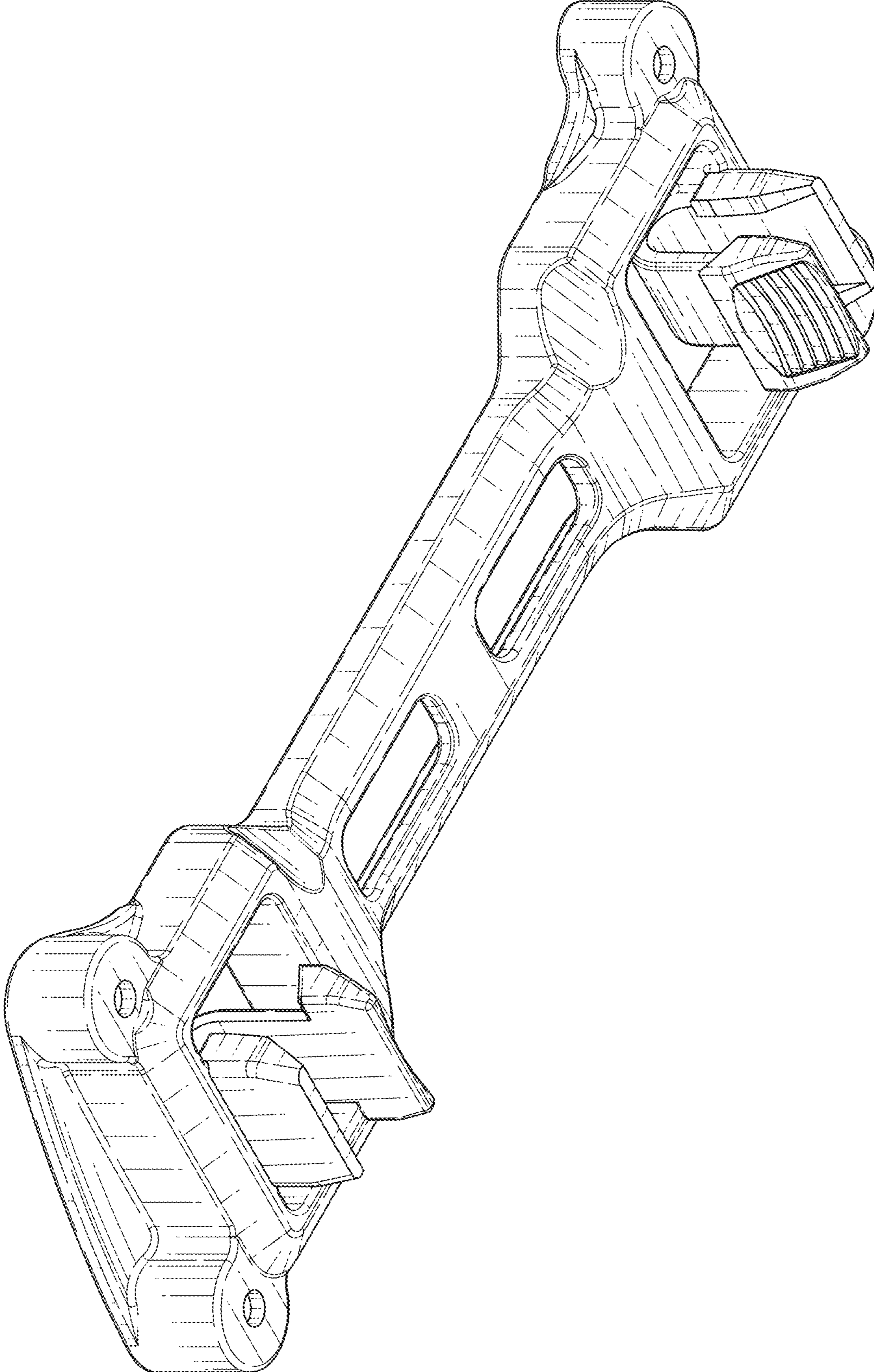


FIG. 3

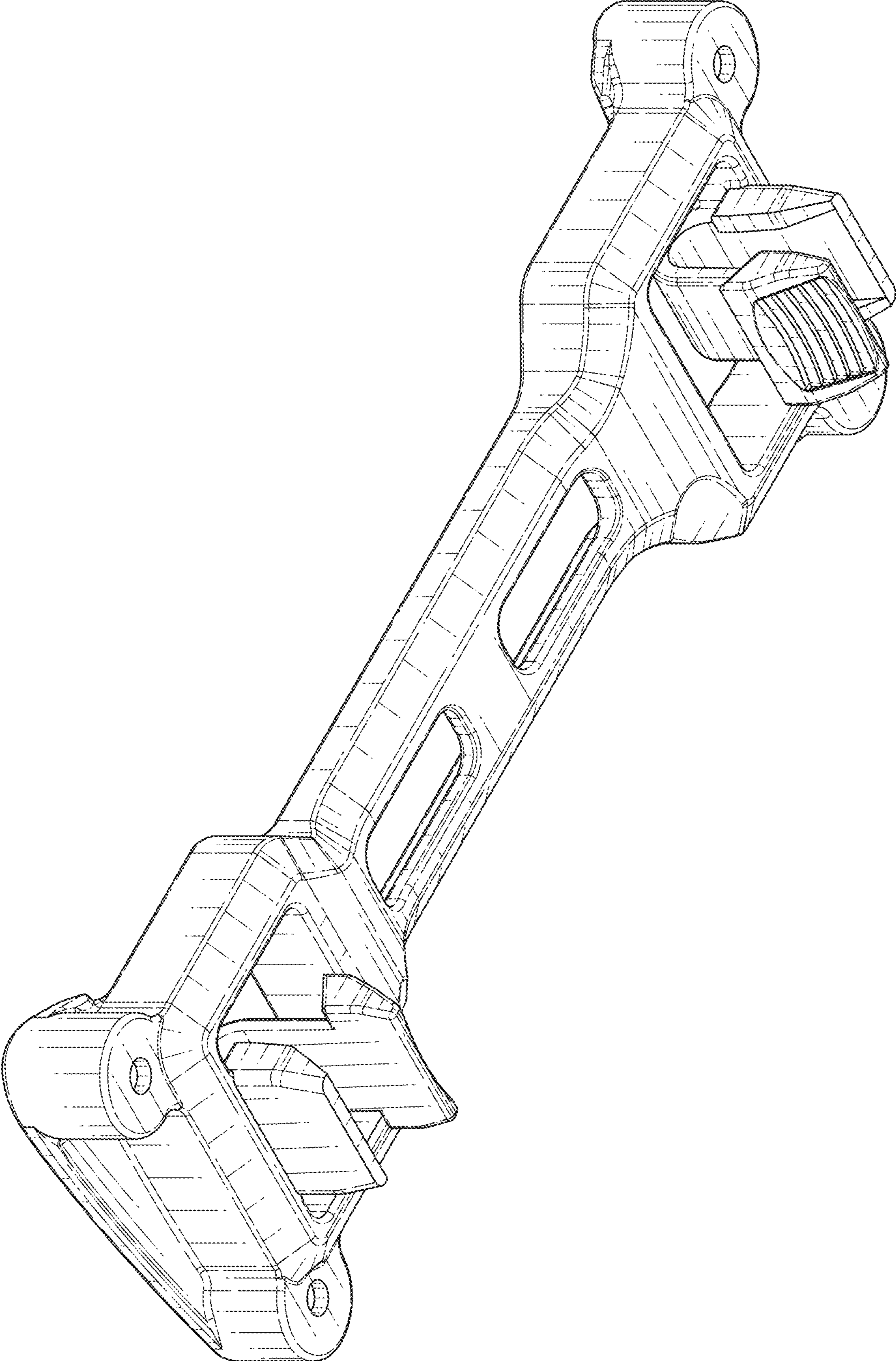


FIG. 4

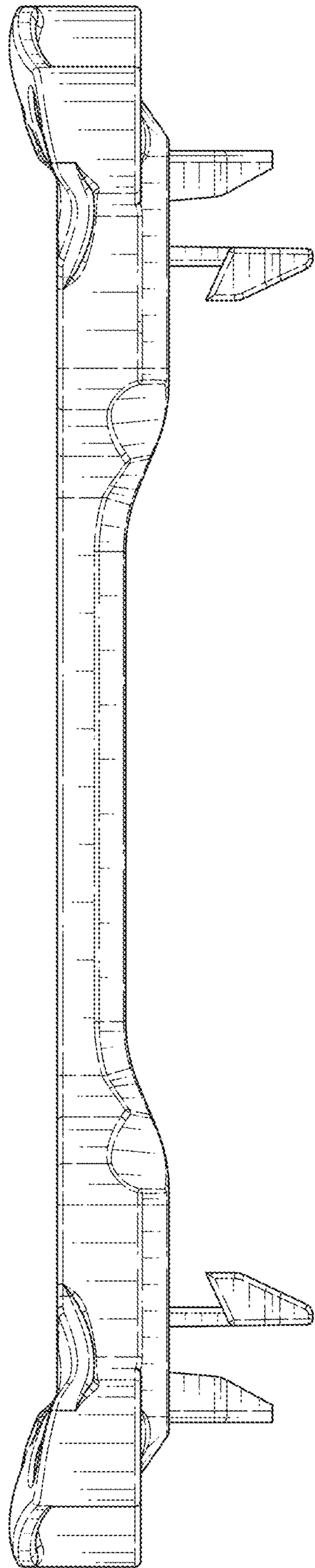


FIG. 5

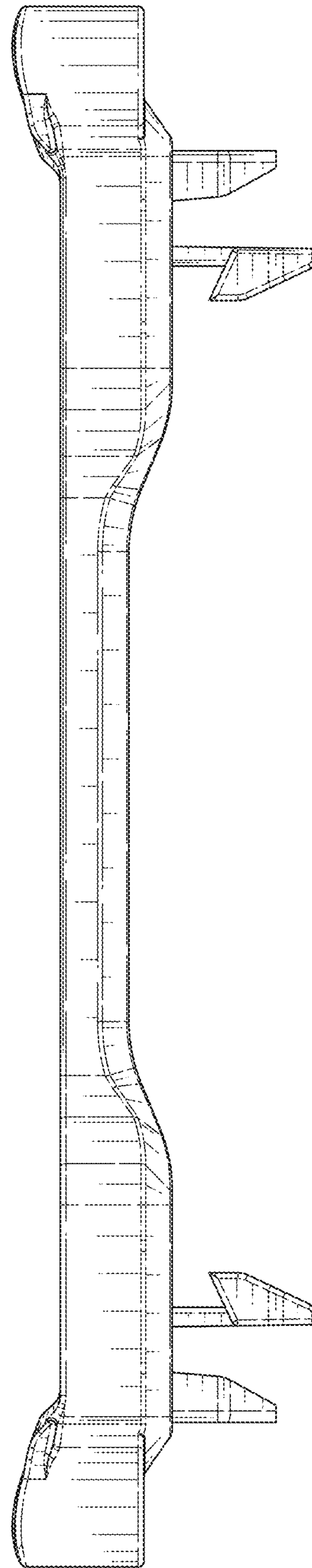


FIG. 6

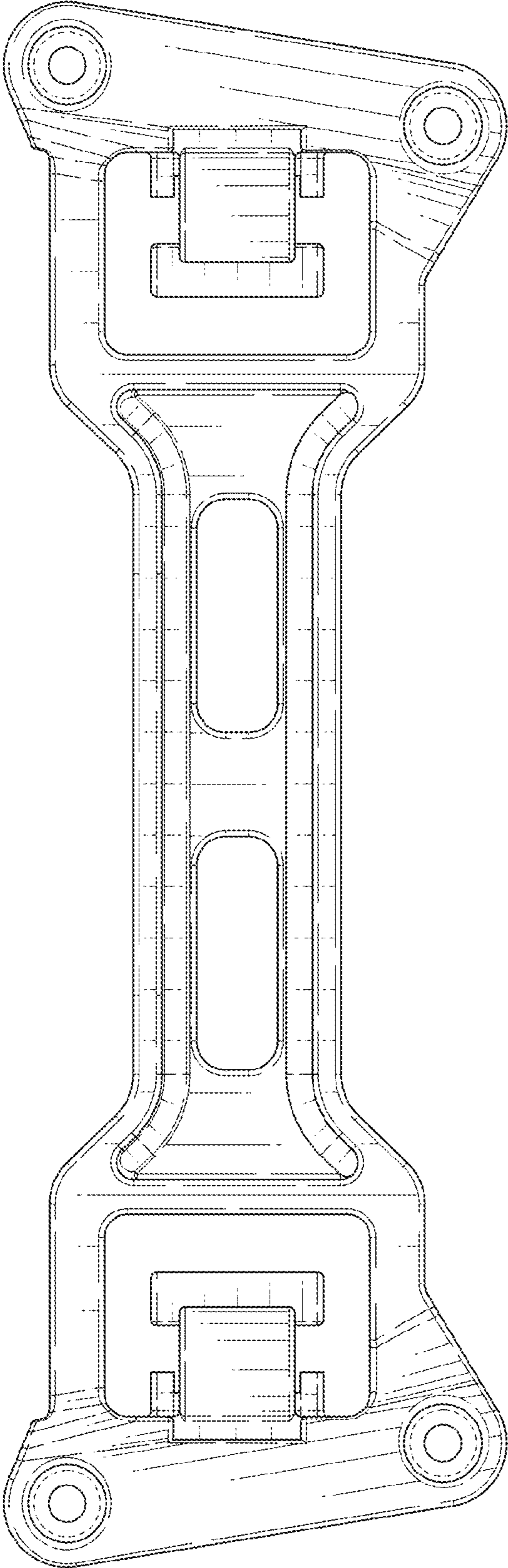


FIG. 7

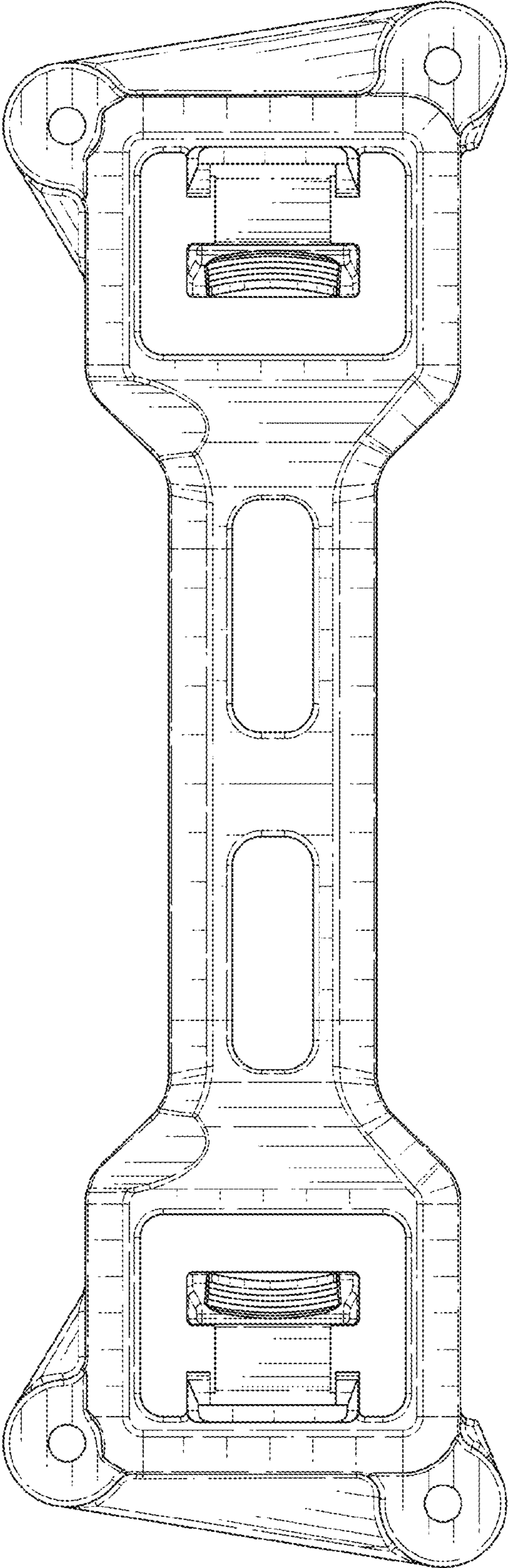


FIG. 8

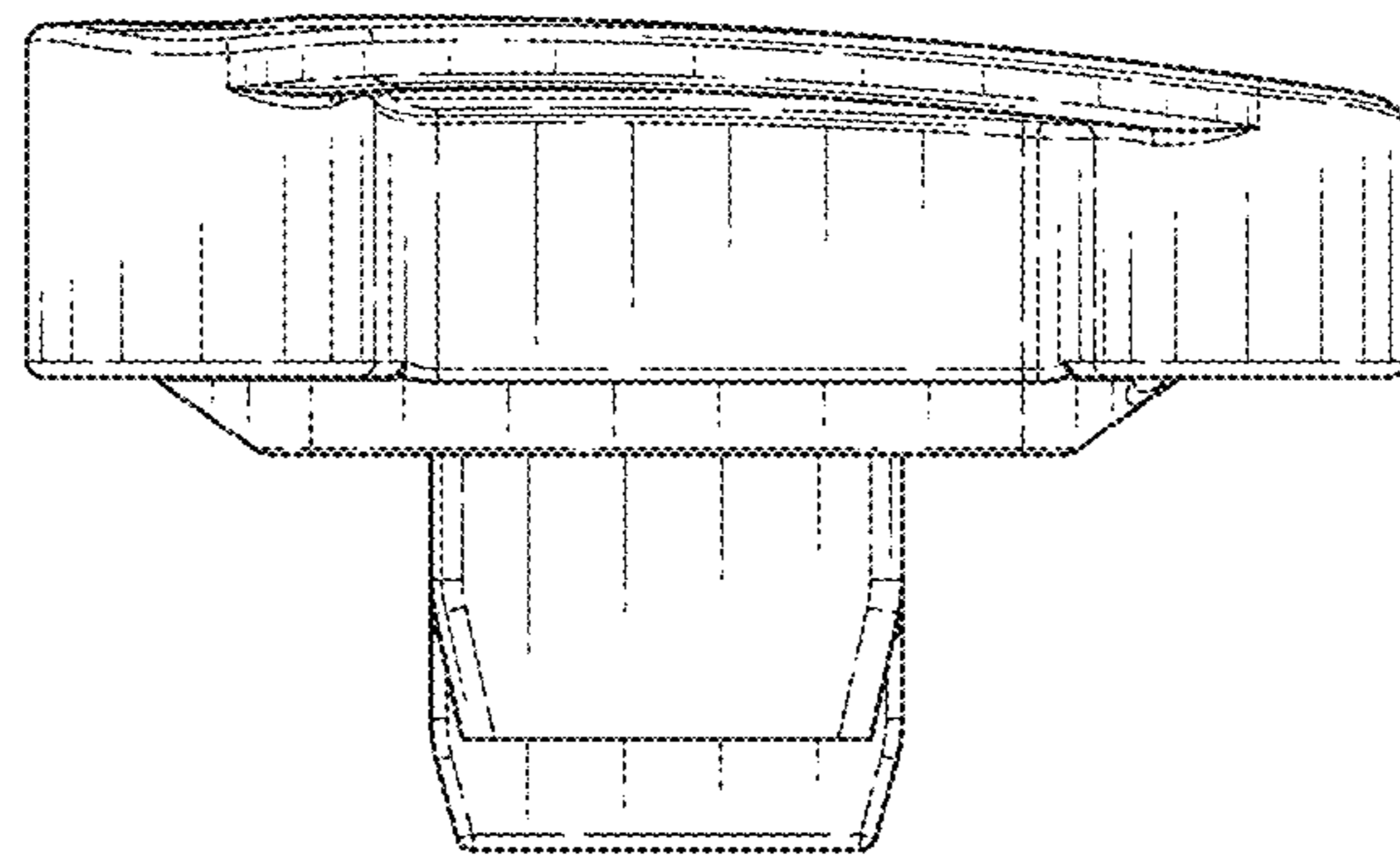


FIG. 9

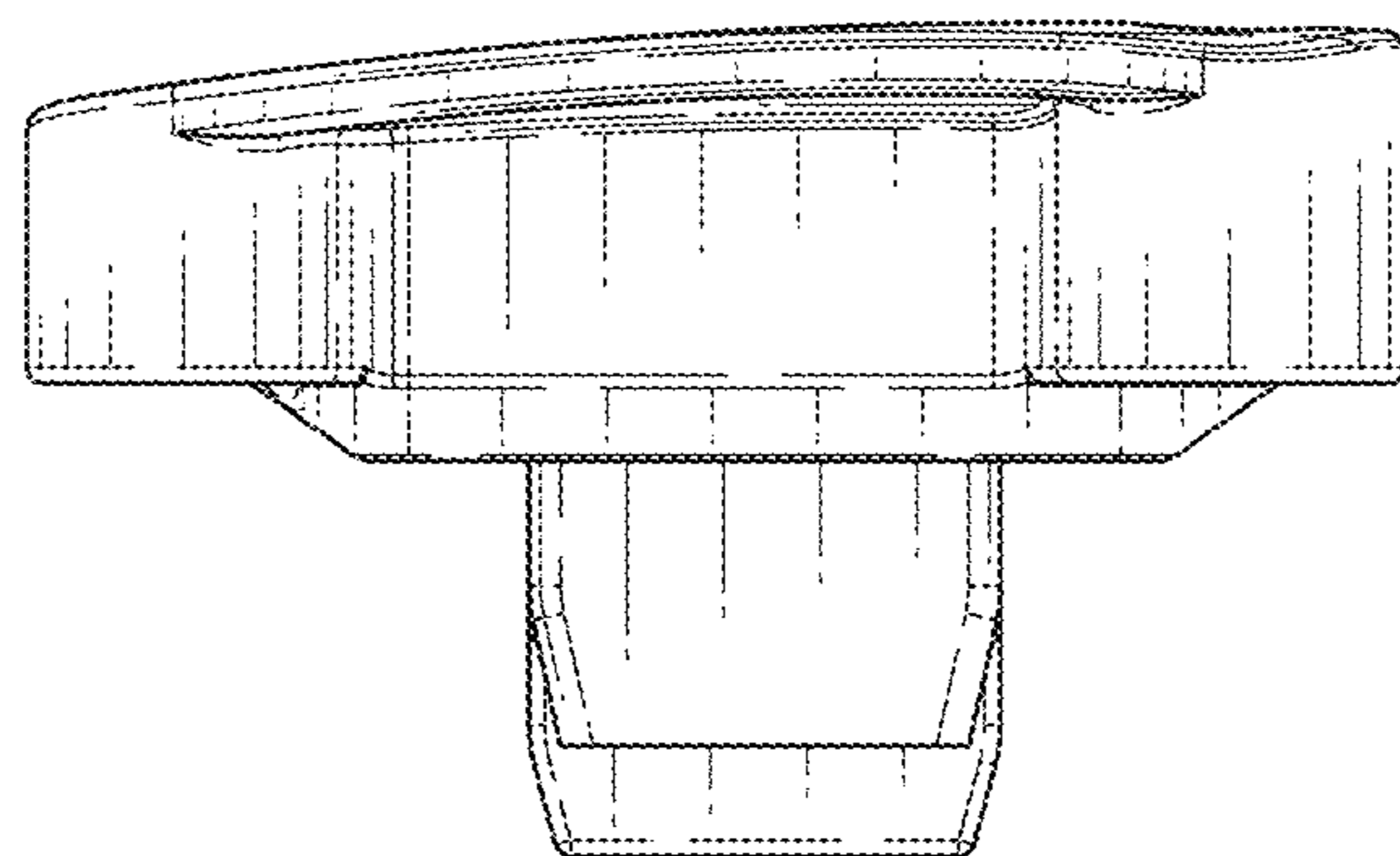


FIG. 10